



US00D420760S

# United States Patent [19]

Meck et al.

[11] Patent Number: **Des. 420,760**

[45] Date of Patent: **\*\* Feb. 15, 2000**

[54] **EXTERIOR LANTERN**

[75] Inventors: **Leslie A. Meck**, Fleetwood; **Rockwood T. Roberts, III**, Shillington, both of Pa.

[73] Assignee: **Baldwin Hardware Corporation**, Reading, Pa.

[\*\*] Term: **14 Years**

[21] Appl. No.: **29/095,798**

[22] Filed: **Oct. 30, 1998**

[51] **LOC (7) Cl.** ..... **26-05**

[52] **U.S. Cl.** ..... **D26/87**

[58] **Field of Search** ..... D26/72, 85, 88,  
D26/89, 92, 68-70; 362/147, 431, 432,  
363, 367

### [56] **References Cited**

#### U.S. PATENT DOCUMENTS

- D. 313,668 1/1991 Porter ..... D26/87
- D. 341,440 11/1993 Hsu ..... D26/87
- D. 394,325 5/1998 Hsu ..... D26/87

#### OTHER PUBLICATIONS

Homecoming Troy Lighting Lantern Collection, City of Industry, California, pp.23,24,20,21,28,34,60, prior to filing date.

Progress Lighting, Spartanburg, South Carolina, pp. 188, 161,164,168,185,184,186,196,198, prior to filing date.

American Lantern Company, Newport, Arkansas, pp. 48, 22,45,47,43,61,62, prior to filing date.

Sea Gull Lighting Products, Inc., Riverside, New Jersey, pp. 14, 20,21,17;23, 1993.

Hinkley Lighting, Inc., Cleveland, Ohio, pp. 88, 94, 1990.

Dinico Products, Inc., Hackensack, New Jersey, pp. 31,47, prior to filing date.

Thomas lighting catalog, p. 98, wall lamp M-5242-12, Group 2900, Dec. 1989.

*Primary Examiner*—Susan J. Lucas

*Attorney, Agent, or Firm*—Myron B. Kapustij; Lloyd D. Doigan

### [57] **CLAIM**

The ornamental design for an exterior lantern, as shown and described.

### **DESCRIPTION**

FIG. 1 is a front perspective view of an exterior lantern showing our new design;

FIG. 2 is a front elevational view thereof;

FIG. 3 is a right side elevational view thereof, the left side being a mirror image;

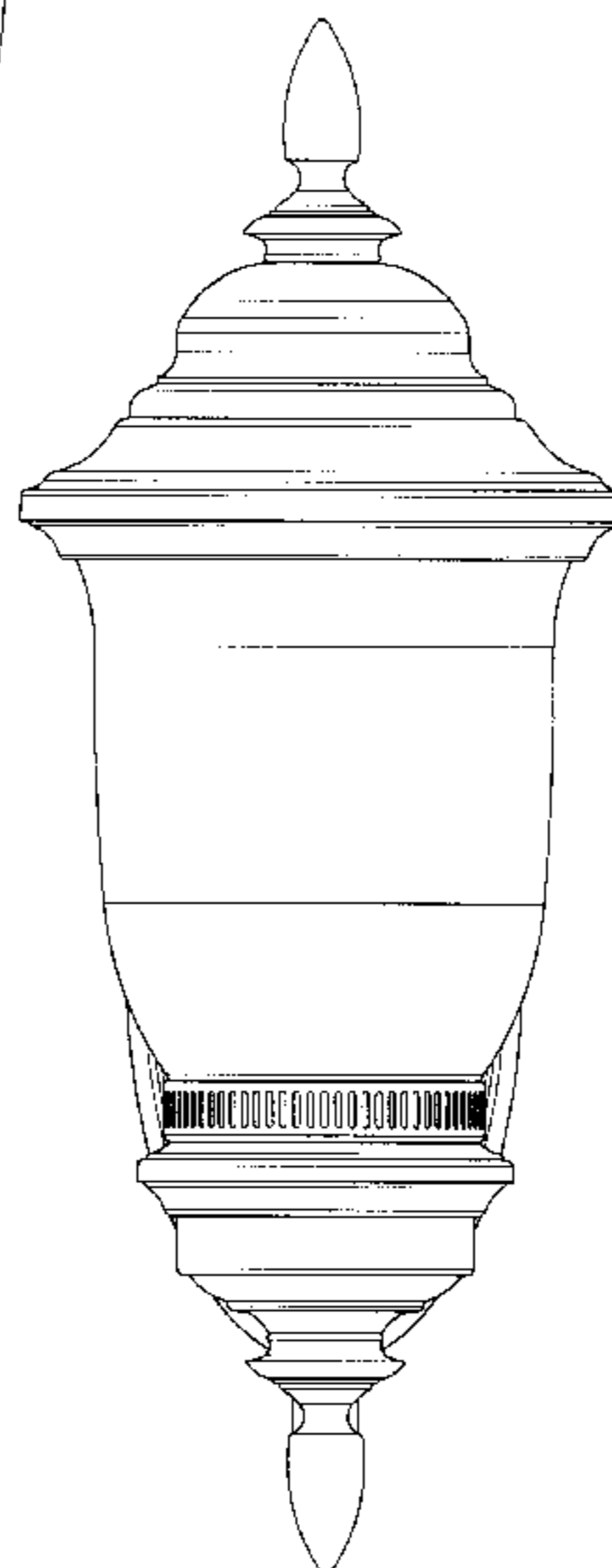
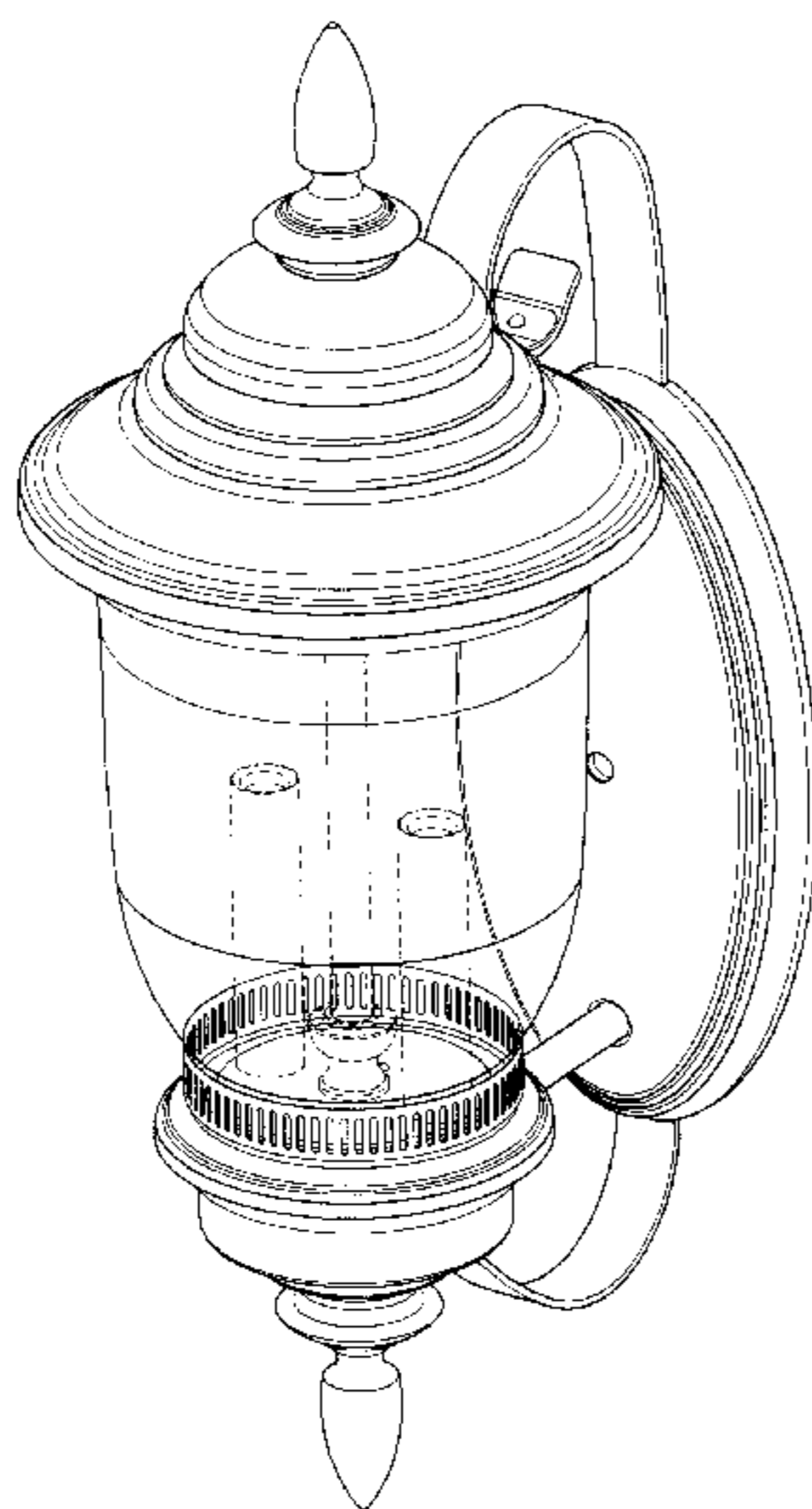
FIG. 4 is a top plan view thereof;

FIG. 5 is a bottom plan view thereof; and,

FIG. 6 is a rear elevational view thereof.

The broken line showing of the light bulb sockets in FIG. 1 are for purposes of illustration only and form no part of the claimed design.

**1 Claim, 3 Drawing Sheets**



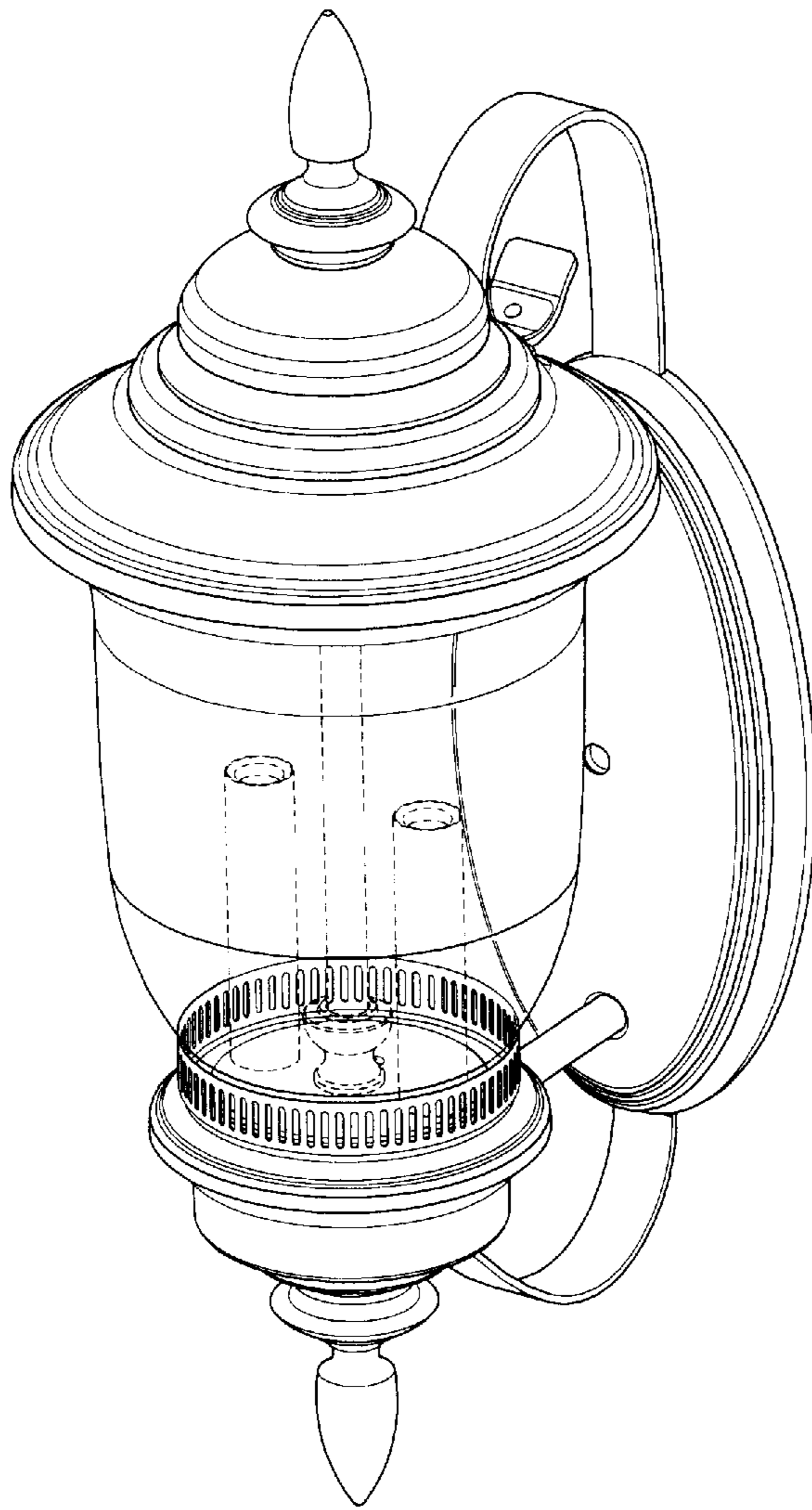


Fig-1

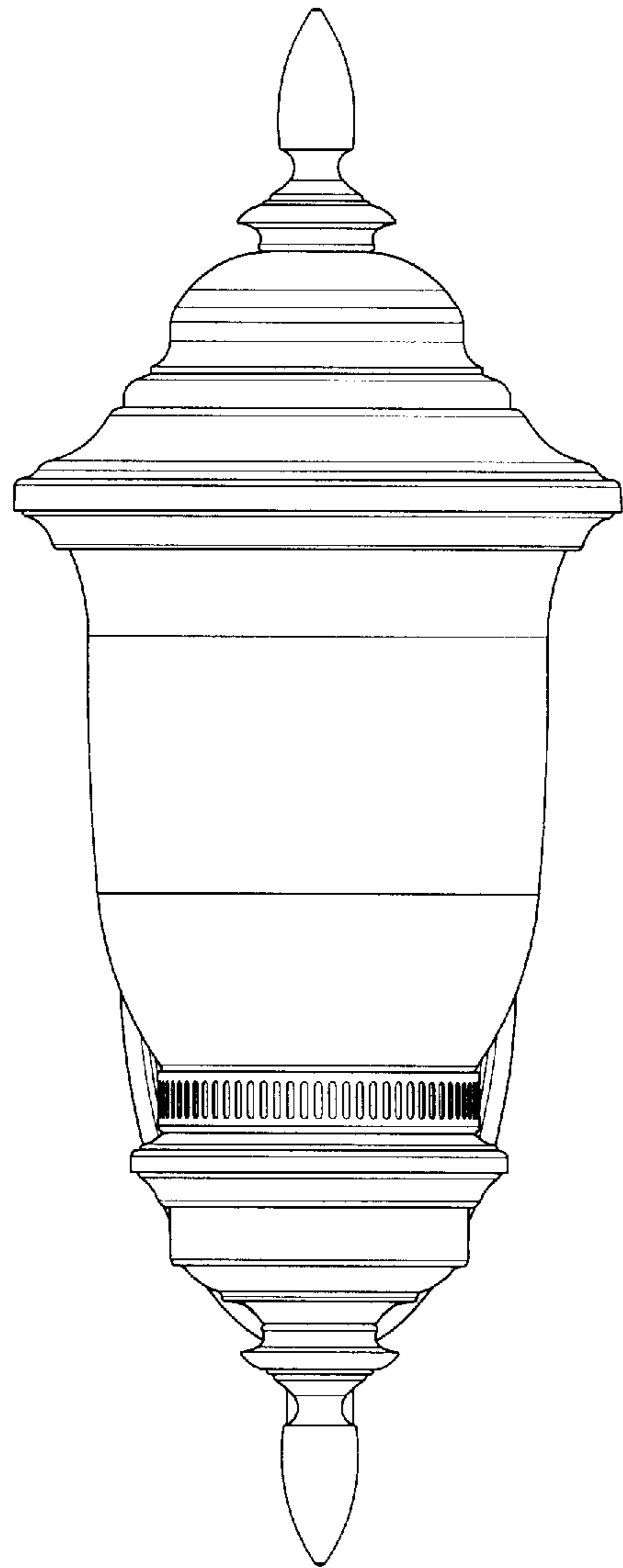


Fig-2

Fig-3

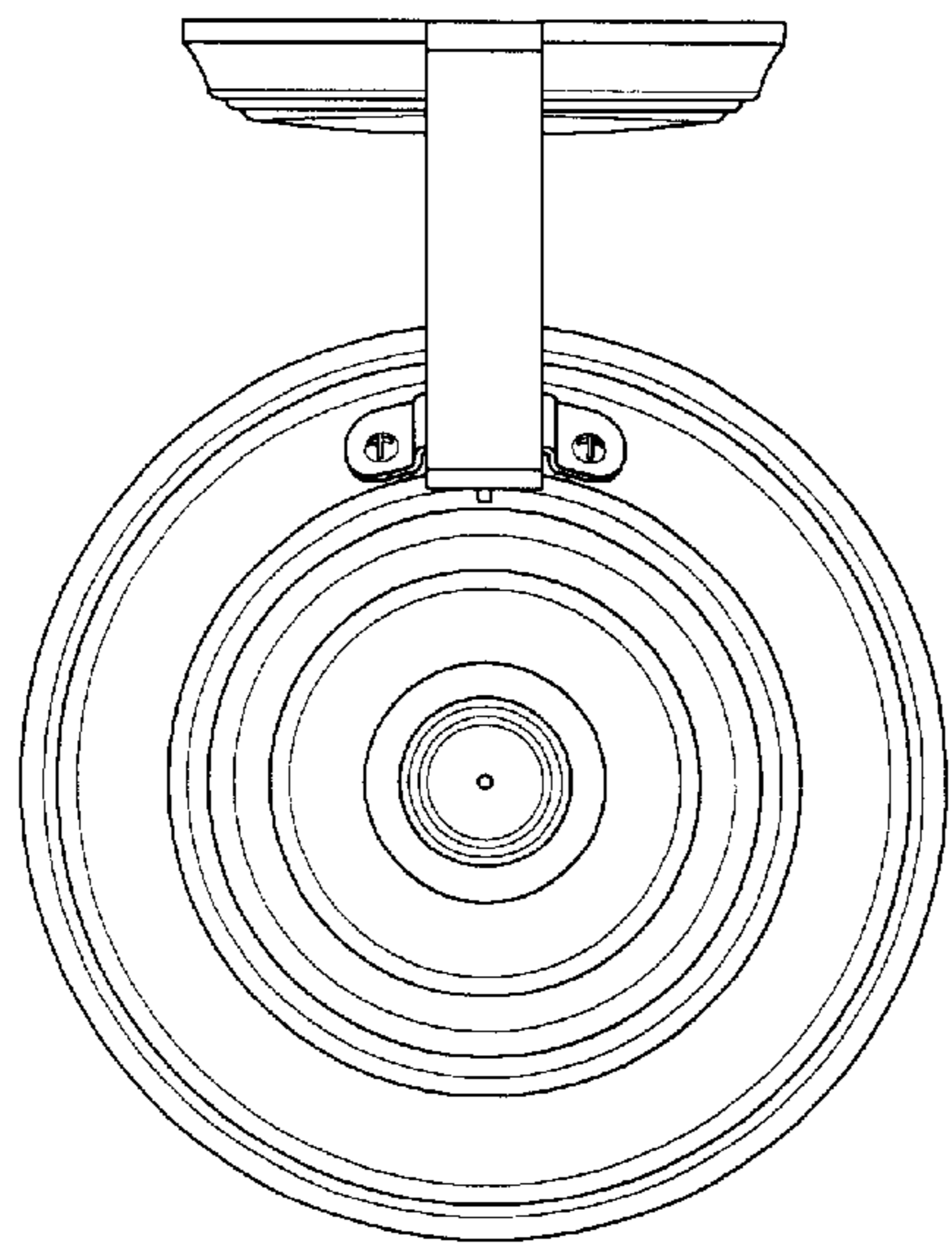
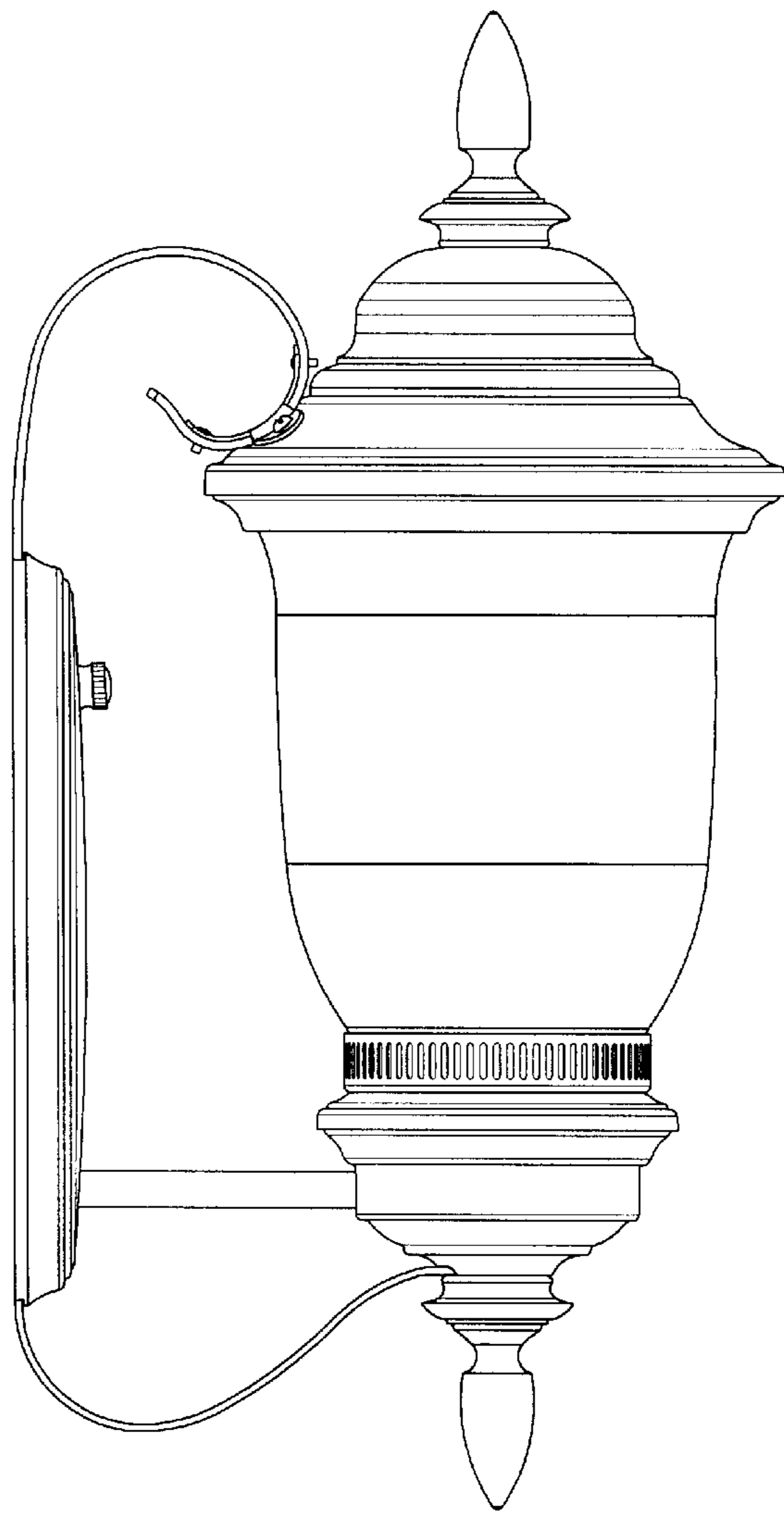


Fig-4

Fig-5

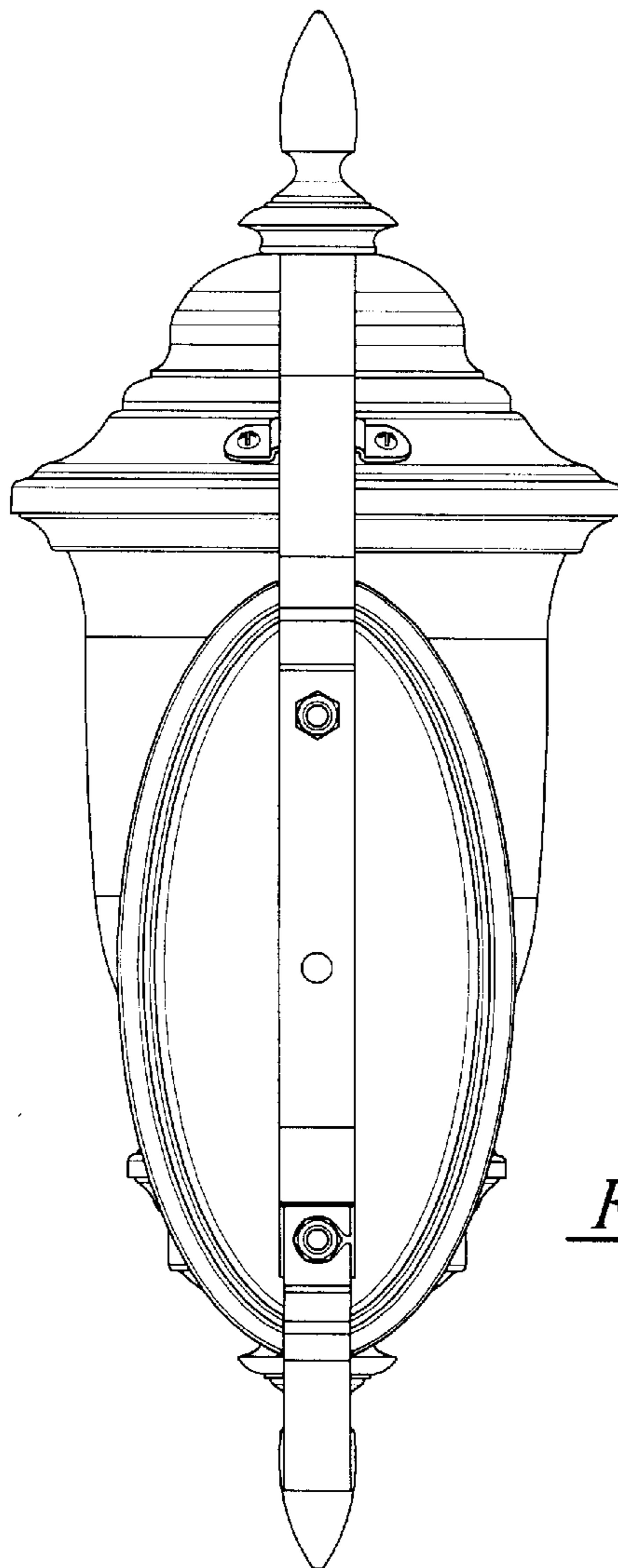
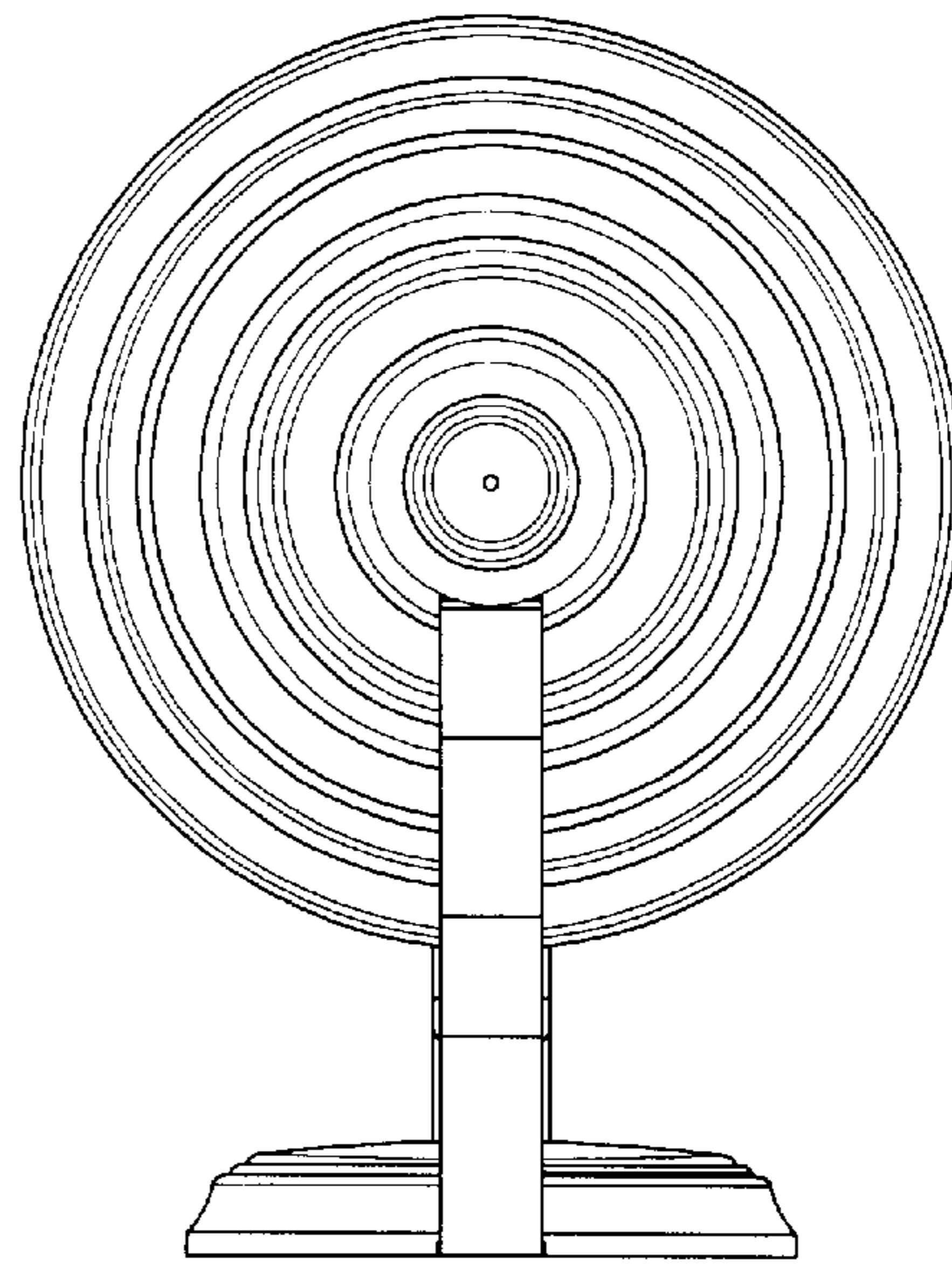


Fig-6