



US00D420759S

United States Patent [19]
Shuenn-Fa

[11] **Patent Number: Des. 420,759**

[45] **Date of Patent: ** Feb. 15, 2000**

[54] **LIGHTING INSTALLATION**

3,783,264 1/1974 Hamilton et al. 362/283

[76] Inventor: **Jiang Shuenn-Fa**, P.O. Box 82-144,
Taipei, Taiwan

Primary Examiner—Freda Nunn
Attorney, Agent, or Firm—A & J

[**] Term: **14 Years**

[57] **CLAIM**

[21] Appl. No.: **29/098,640**

The ornamental design for a lighting installation, as shown and described.

[22] Filed: **Dec. 31, 1998**

DESCRIPTION

[51] **LOC (7) Cl.** **26-05**

[52] **U.S. Cl.** **D26/65; D26/66**

[58] **Field of Search** D26/60-66; 362/269,
362/274, 277, 285, 418, 419, 427, 283

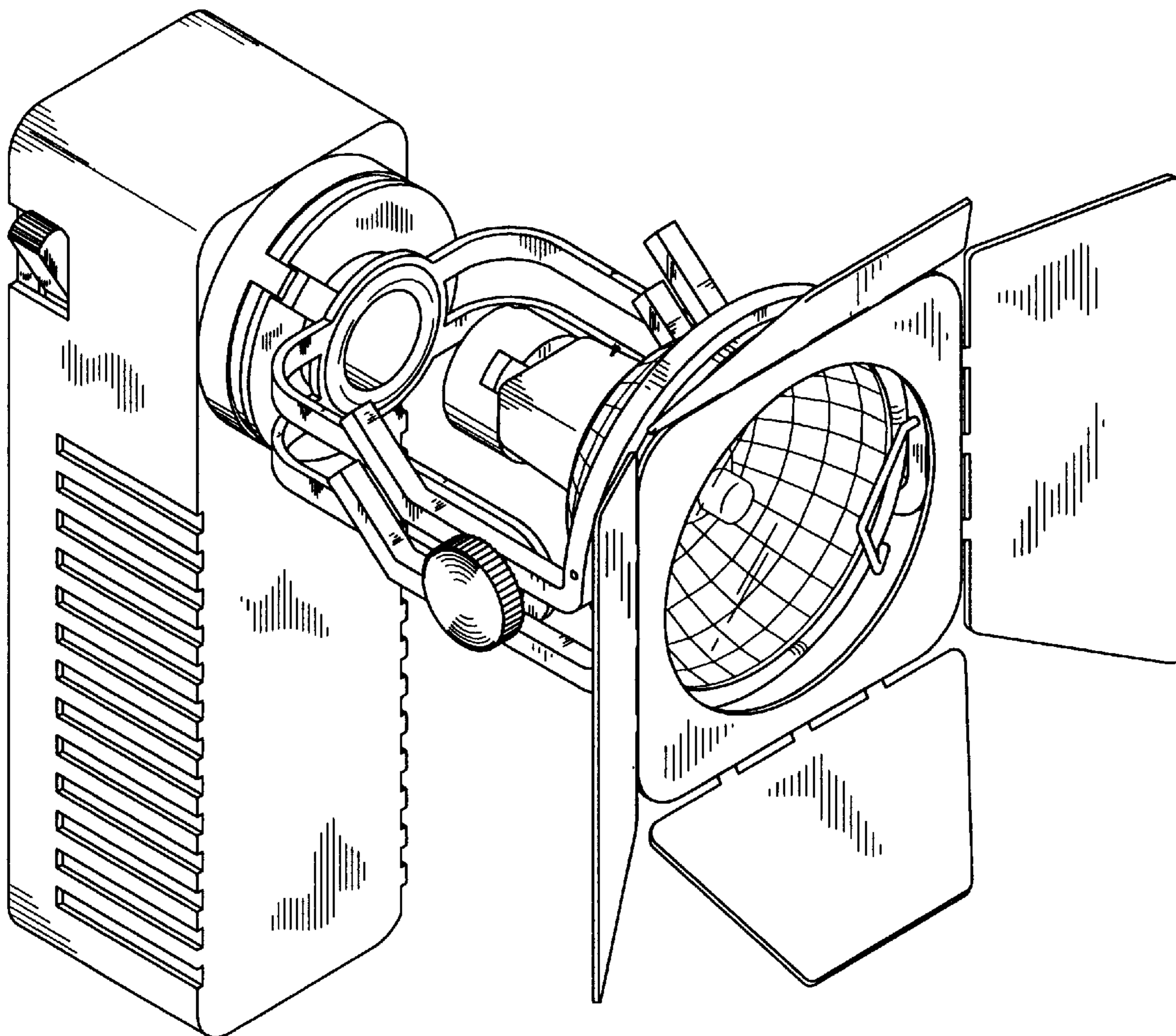
FIG. 1 is a perspective view of a lighting installation showing my new design;
FIG. 2 is a front view thereof;
FIG. 3 is a rear view thereof;
FIG. 4 is a right side elevational view thereof;
FIG. 5 is a left side elevational view thereof;
FIG. 6 is a top plan view thereof; and,
FIG. 7 is a bottom plan view thereof.

[56] **References Cited**

U.S. PATENT DOCUMENTS

- D. 213,063 12/1968 Thornley et al. D26/65
- D. 246,677 12/1977 Nigg D26/65
- 1,677,489 7/1928 Price 362/419

1 Claim, 4 Drawing Sheets



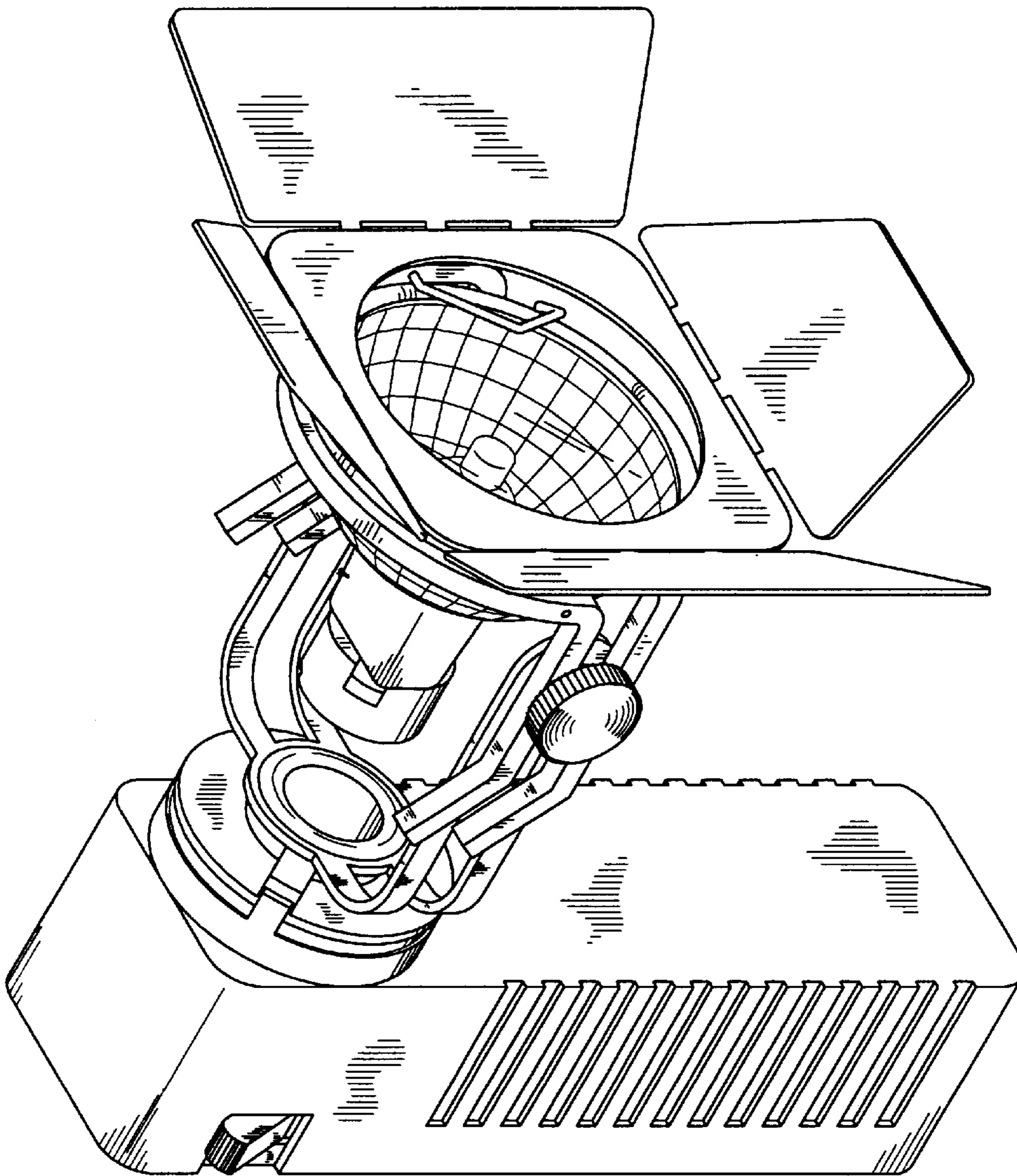


FIG. 1

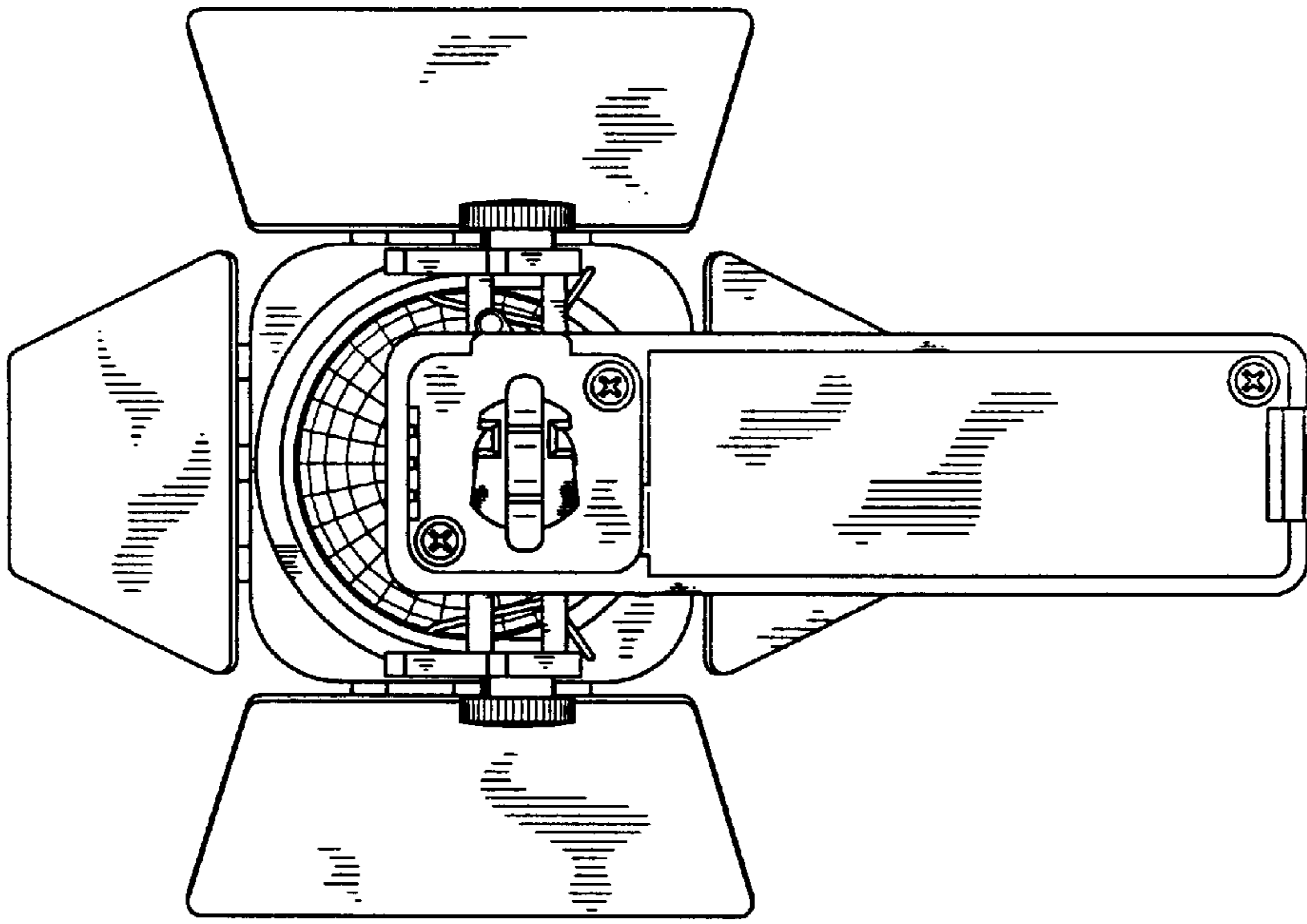


FIG. 2

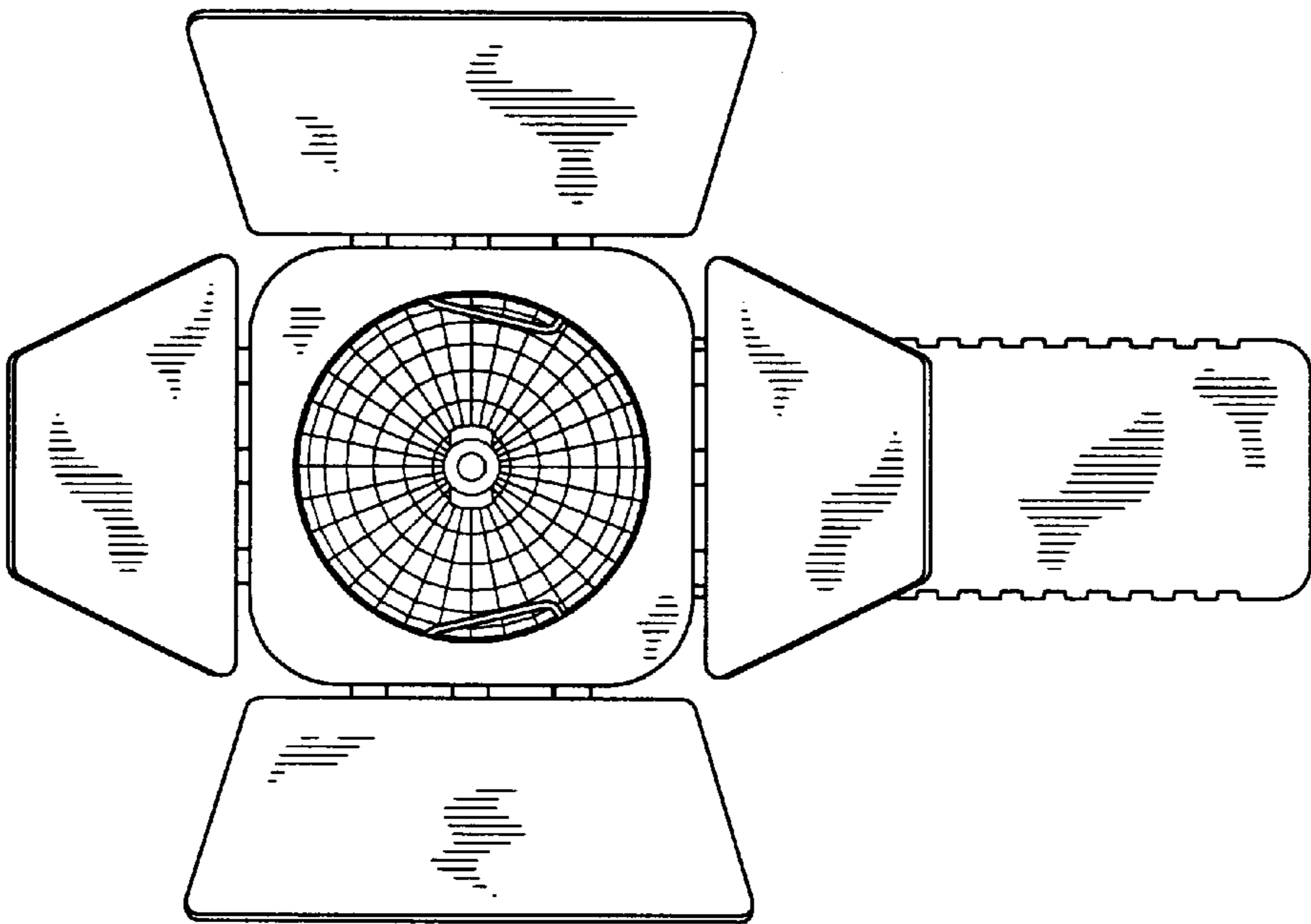


FIG. 3

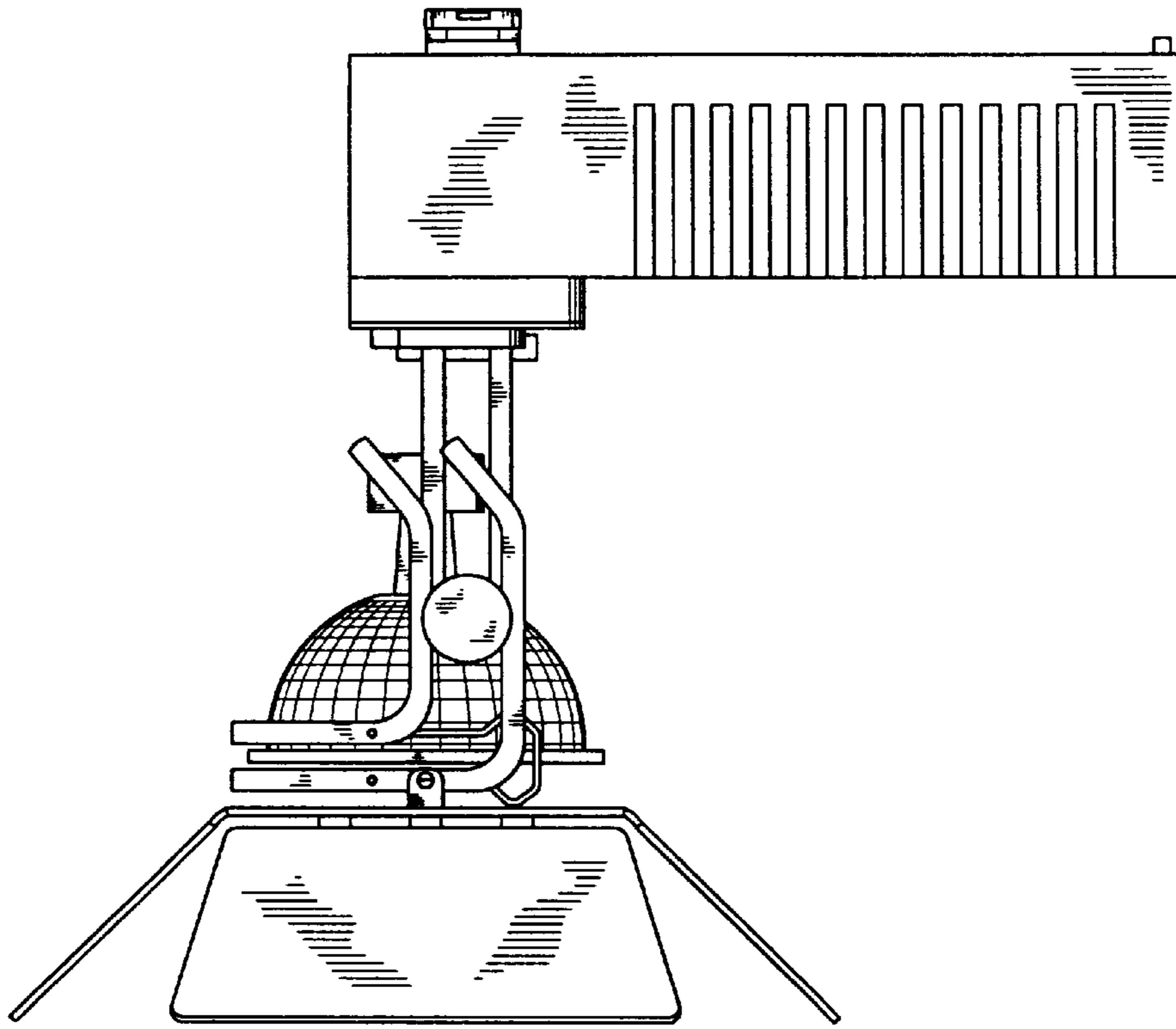


FIG. 5

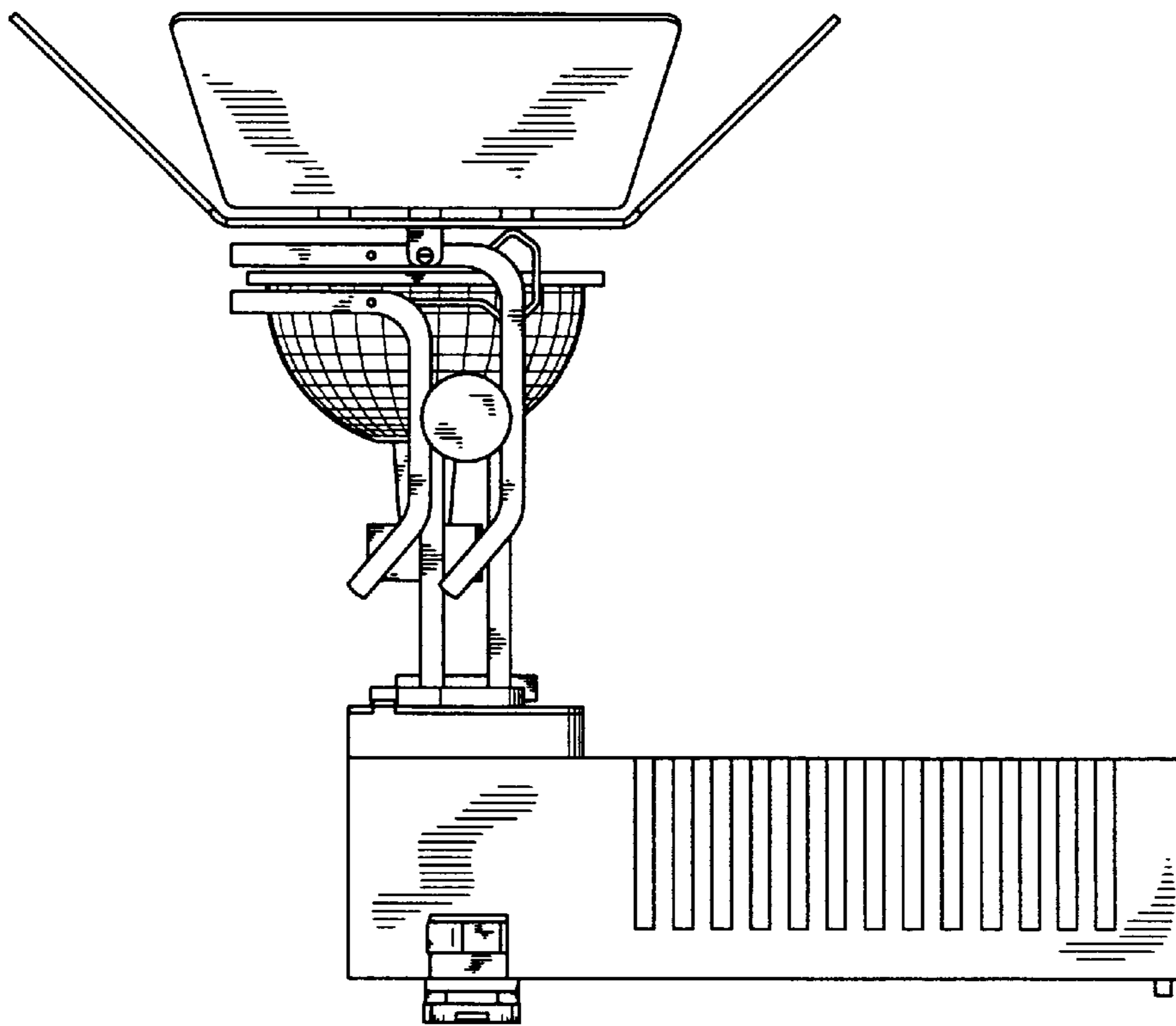


FIG. 4

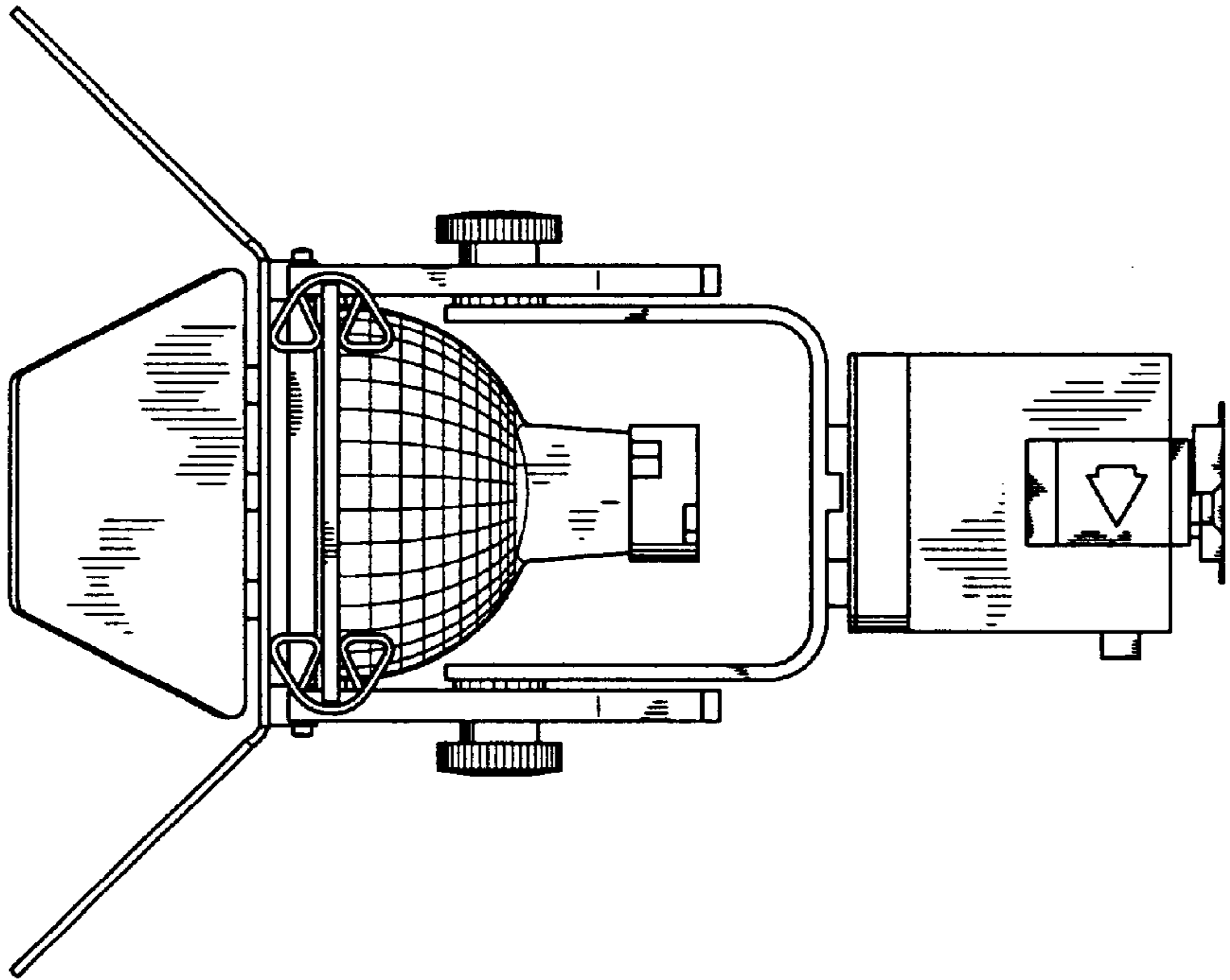


FIG. 7

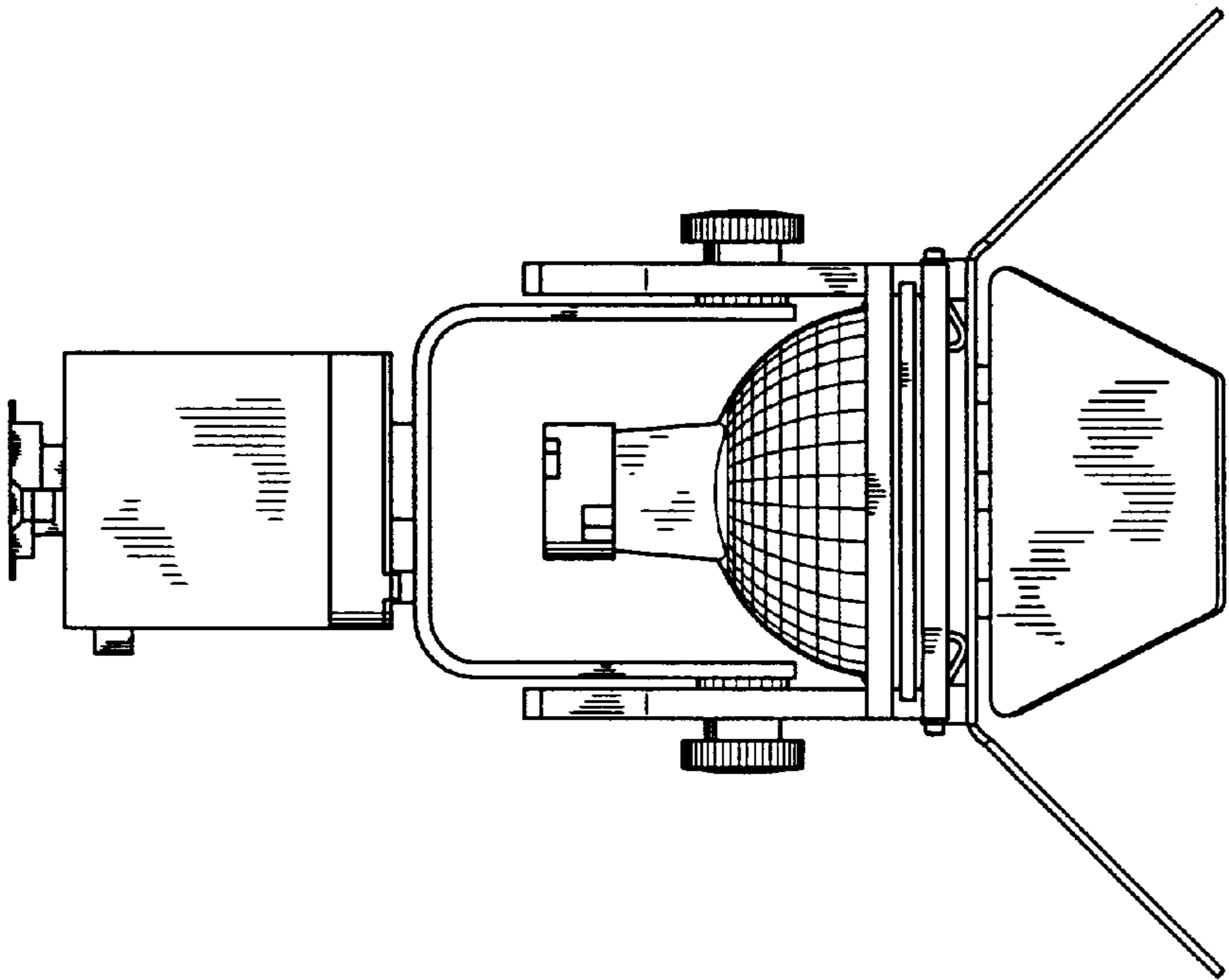


FIG. 6