



US00D420757S

United States Patent [19] Peterson

[11] Patent Number: **Des. 420,757**

[45] Date of Patent: **** Feb. 15, 2000**

[54] **TRIPOD LAMP**

5,653,531 8/1997 Yang .

[75] Inventor: **Dale E. Peterson**, San Francisco, Calif.

OTHER PUBLICATIONS

[73] Assignee: **Williams-Sonoma, Inc.**, San Francisco, Calif.

Frame A (closeup), Movie: "As Good As It Gets" copyright 1997.

[**] Term: **14 Years**

Frame B (full frame), Movie: "As Good As it Gets" copyright 1997.

[21] Appl. No.: **29/091,220**

Primary Examiner—Freda Nunn

[22] Filed: **Jul. 24, 1998**

Attorney, Agent, or Firm—Janis Biksa; Peters, Verny, Jones & Biksa

[51] **LOC (7) Cl.** **26-05**

[52] **U.S. Cl.** **D26/64; D16/244**

[58] **Field of Search** D26/63, 111, 64;
D16/244; 362/352, 266, 413, 433, 198;
248/188.5, 168

[57] CLAIM

The ornamental design for a tripod lamp, as shown and described.

[56] References Cited

DESCRIPTION

U.S. PATENT DOCUMENTS

D. 146,785	5/1947	Billings, Jr.	D16/244
D. 317,512	6/1991	Nugent .	
1,459,104	6/1923	Johnson .	
1,558,227	10/1925	Borate .	
2,463,655	3/1949	Temple, Jr.	248/168
2,519,549	8/1950	Coutant et al.	248/188.5
4,562,521	12/1985	Noguchi .	
5,278,740	1/1994	Agnelli .	
5,404,280	4/1995	Greek et al.	362/198

FIG. 1 is a perspective view of a tripod lamp showing my new design;

FIG. 2 is a front view of the design of FIG. 1;

FIG. 3 is a left side view of the design of FIG. 1, the right side being a mirror image thereof;

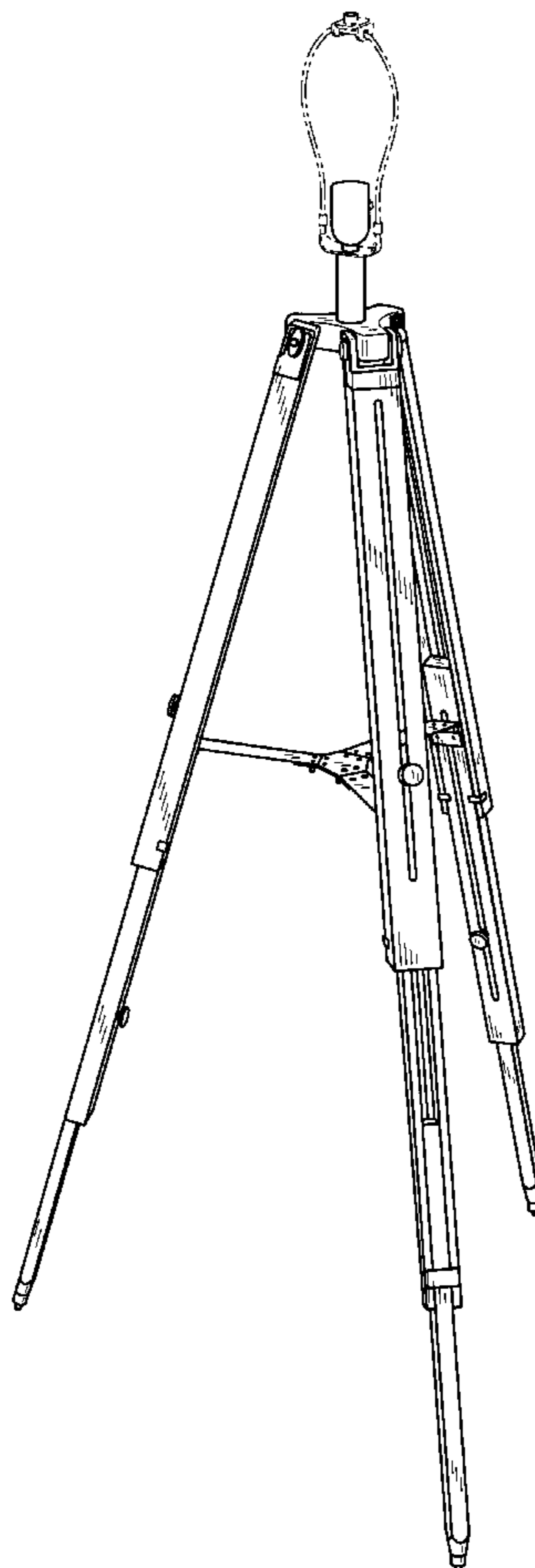
FIG. 4 is a back view of the design of FIG. 1;

FIG. 5 is a top view of the design of FIG. 1; and,

FIG. 6 is a bottom view of the design of FIG. 1.

The broken lines are shown in the views for illustrative purposes only and form no part of the claimed design.

1 Claim, 5 Drawing Sheets



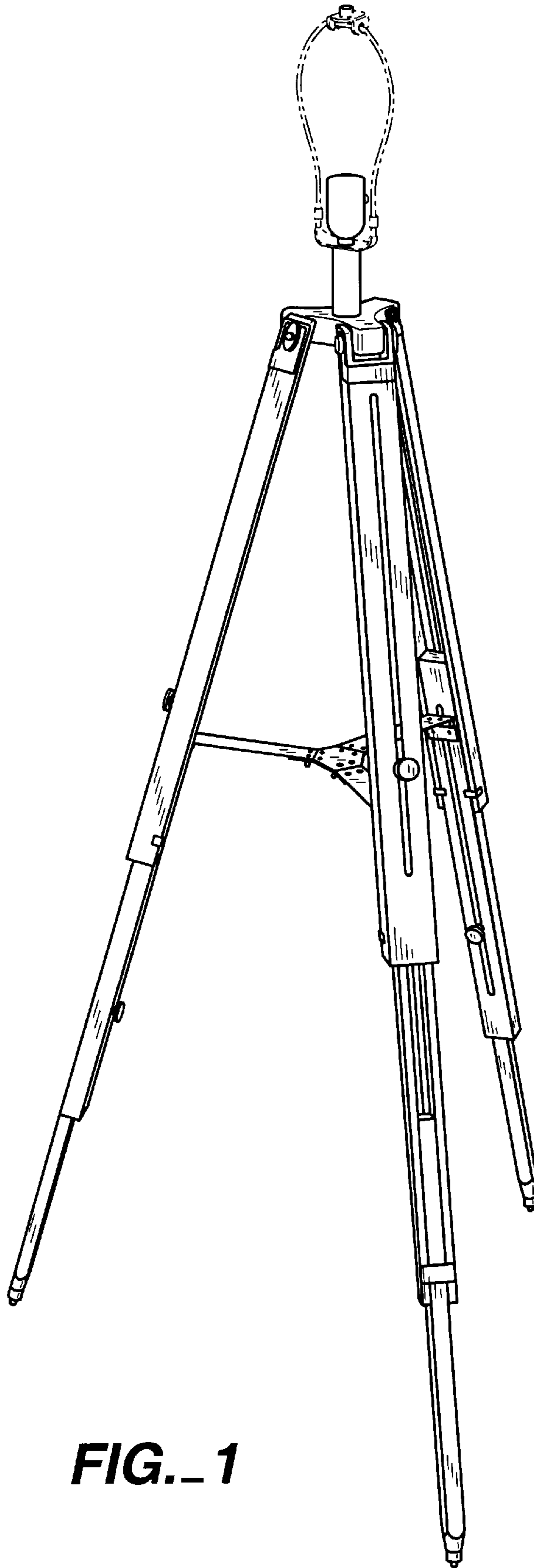


FIG. 1

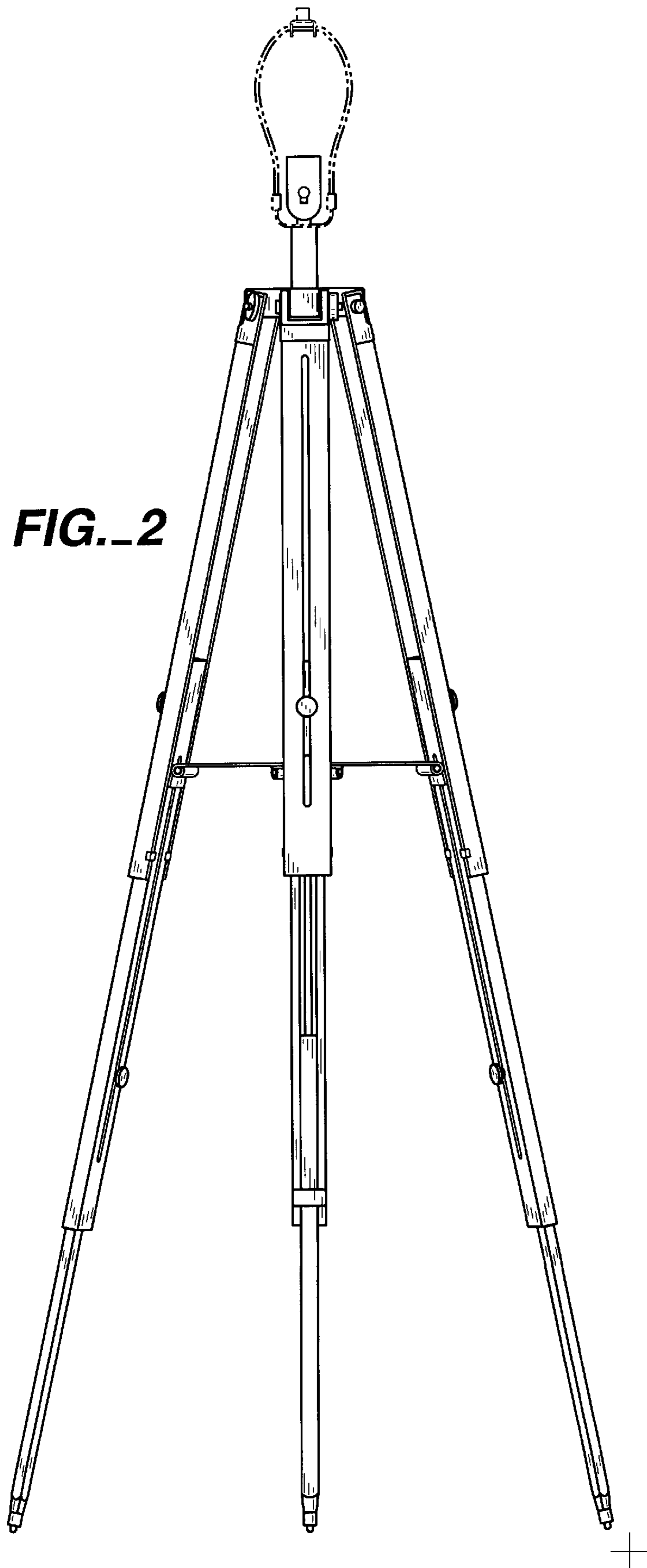
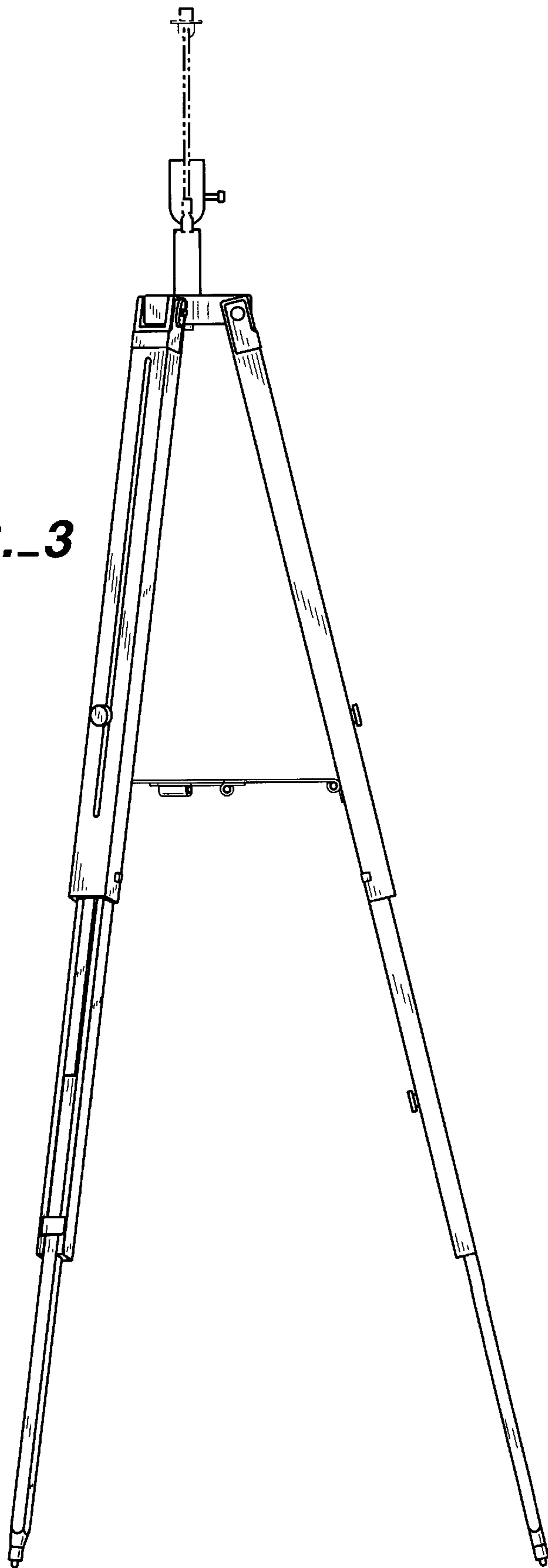


FIG. 2

FIG. 3



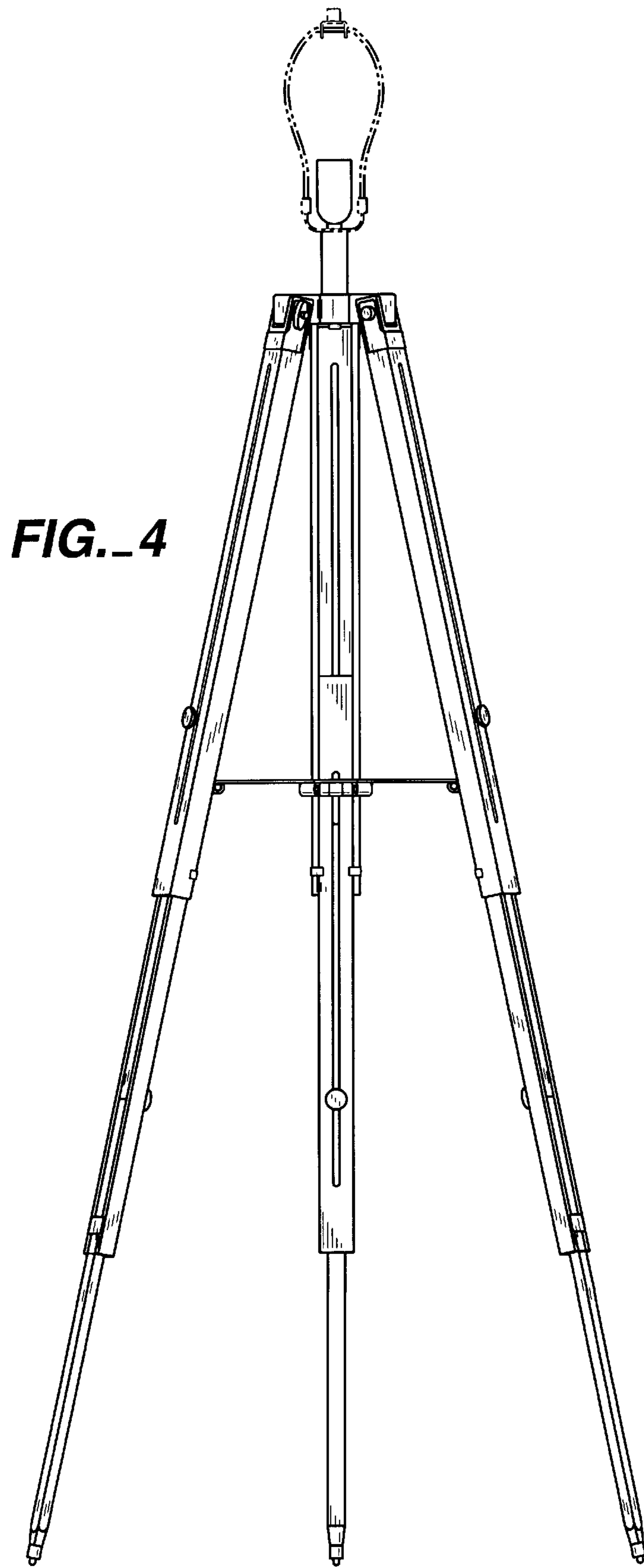


FIG. 4

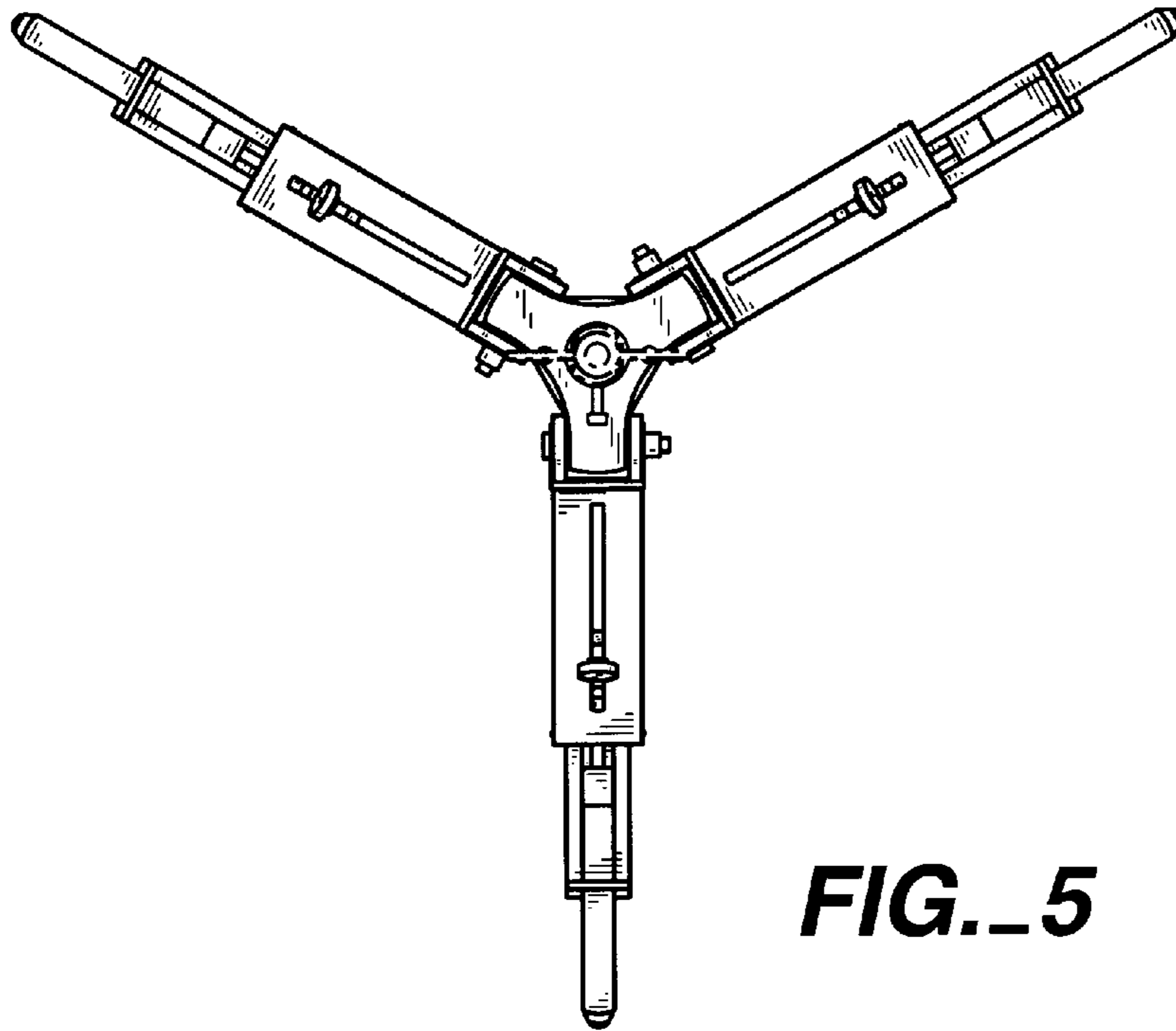


FIG._5

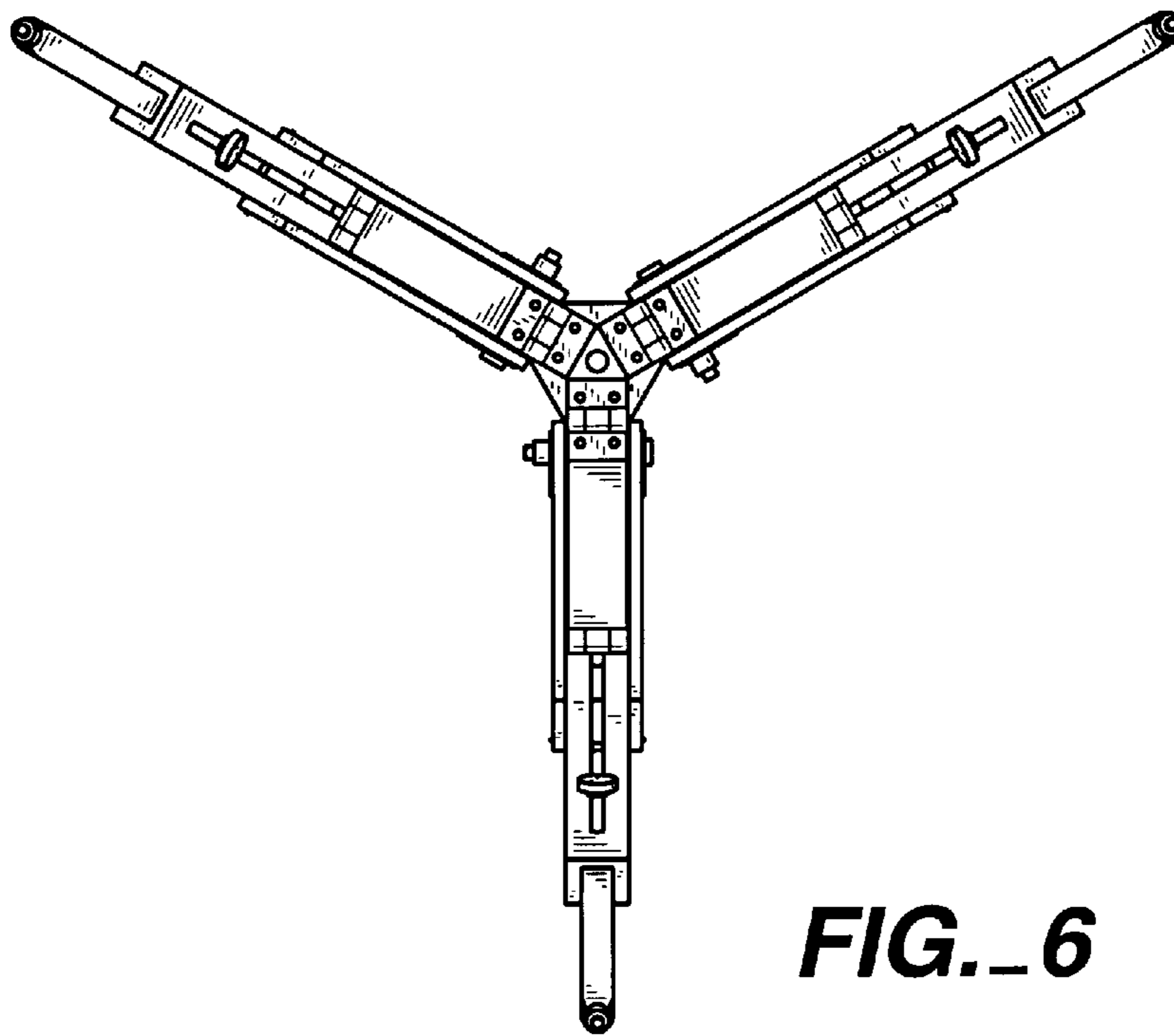


FIG._6