



US00D420753S

United States Patent [19]

Opielski et al.

[11] Patent Number: **Des. 420,753**

[45] Date of Patent: **** Feb. 15, 2000**

[54] WINDOW COMPONENT EXTRUSION

[75] Inventors: **Brian C. Opielski**, Malvern; **Jeffrey B. Hersh**, Wayne, both of Pa.; **Ann Moss**, Boonsboro, Md.; **Dennis Westphal**, Parma, Mich.

[73] Assignee: **CertainTeed Corporation**, Valley Forge, Pa.

[**] Term: **14 Years**

[21] Appl. No.: **29/066,091**

[22] Filed: **Feb. 7, 1997**

[51] LOC (7) Cl. **25-01**

[52] U.S. Cl. **D25/124**

[58] Field of Search D25/124, 125, D25/60; 49/504, 505, DIG. 2; 52/204.5, 204.56, 204.51, 730.3, 204.1

[56] **References Cited**

U.S. PATENT DOCUMENTS

D. 372,790 8/1996 Colitto D25/124

Primary Examiner—Doris Clark
Attorney, Agent, or Firm—Duane, Morris & Hecksher LLP

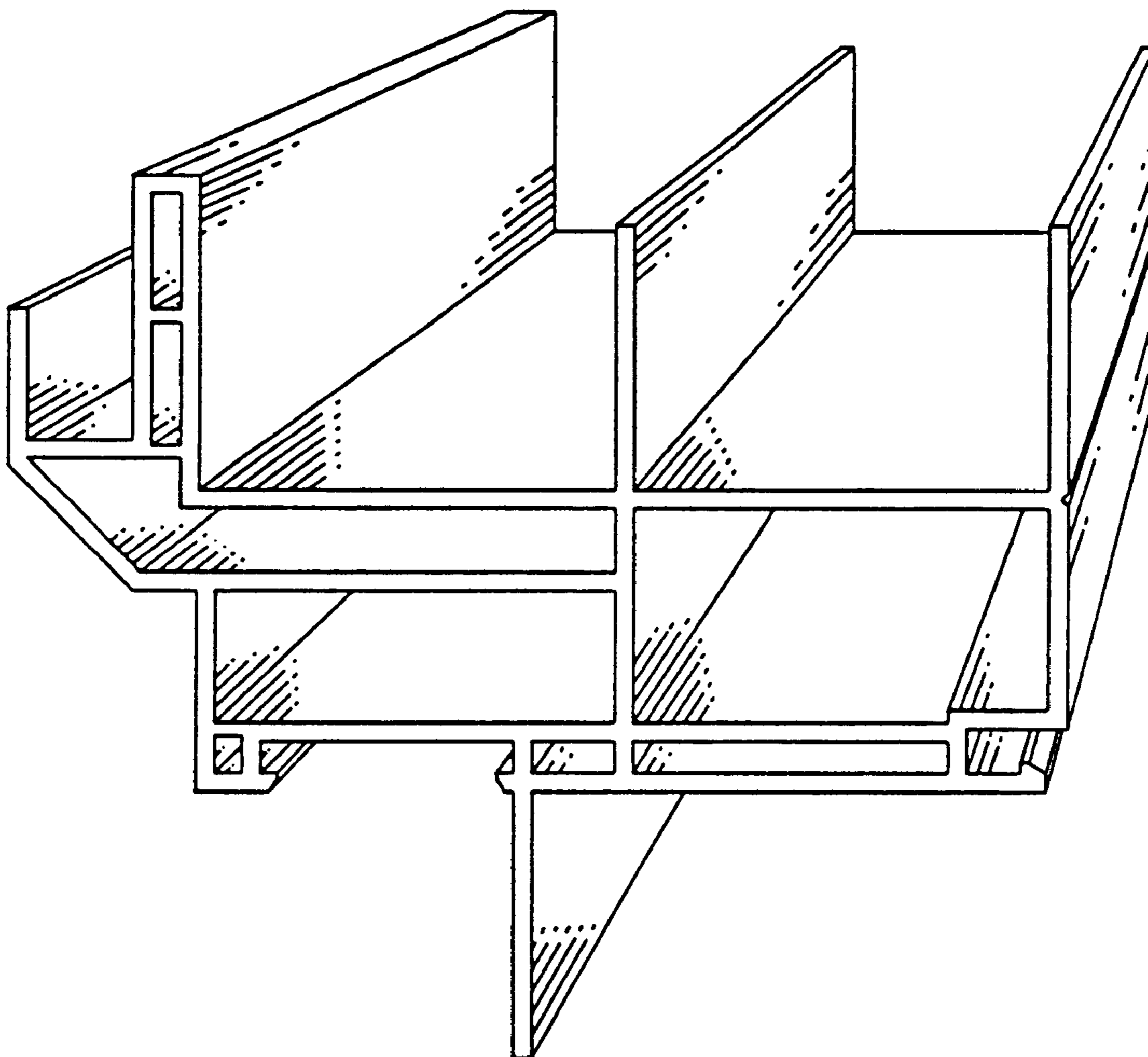
[57] **CLAIM**

The ornamental design for a window component extrusion, as shown and described.

DESCRIPTION

The FIGURE is a front perspective view of a window component extrusion showing our new design, the rear perspective view being a mirror image thereof.

1 Claim, 1 Drawing Sheet



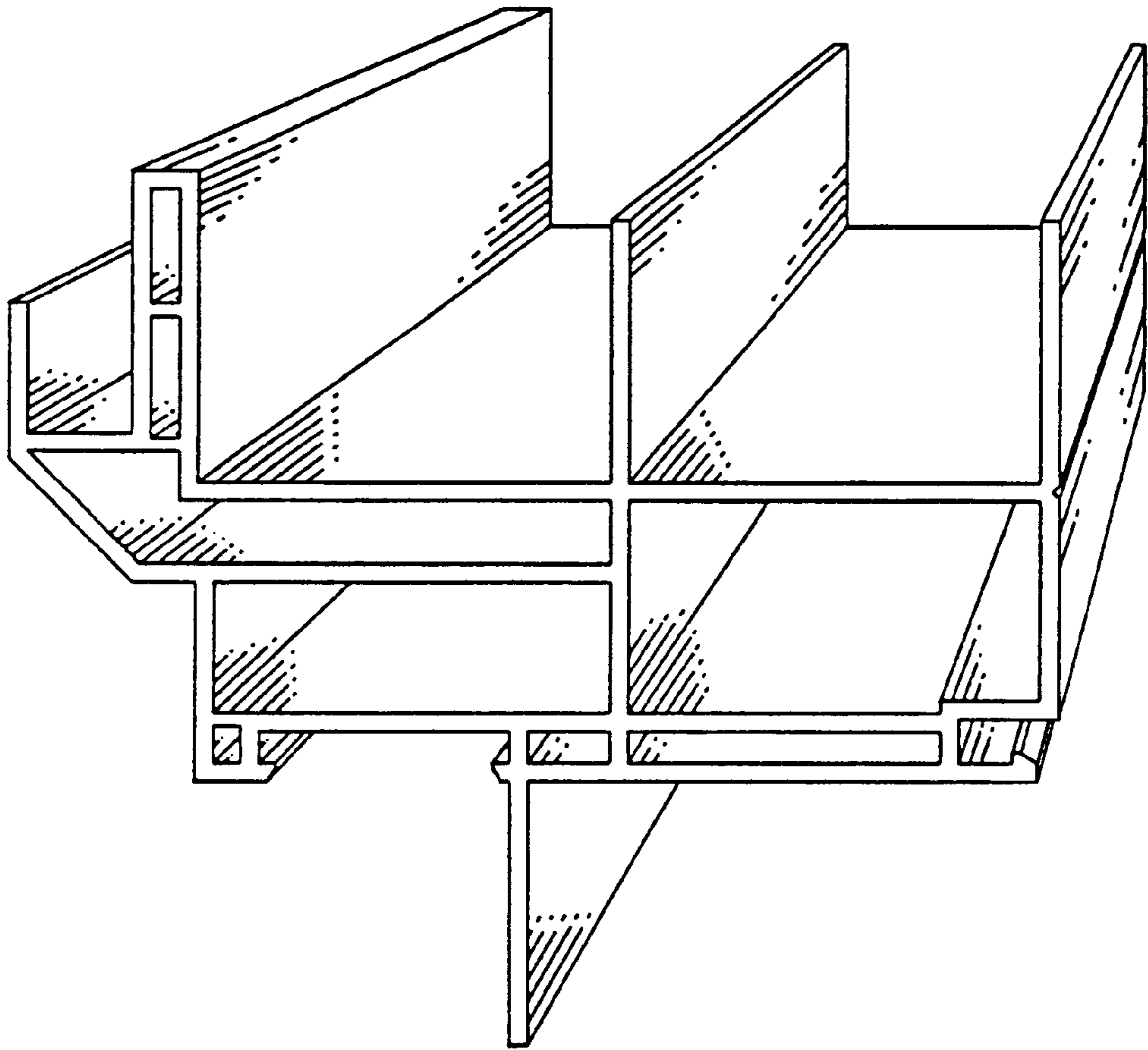


FIG. 1