



US00D420752S

United States Patent [19]
Hiscock

[11] **Patent Number: Des. 420,752**

[45] **Date of Patent: ** Feb. 15, 2000**

[54] **SCAFFOLDING LEG EXTENSION**

[57] **CLAIM**

[76] Inventor: **Randolph G Hiscock**, 3846 121st Ave.,
Allegan, Mich. 49010

The ornamental design for a scaffolding leg extension, as shown.

[**] Term: **14 Years**

DESCRIPTION

[21] Appl. No.: **29/090,559**

FIG. 1 is a front elevational view of the scaffolding leg extension of the present invention;

[22] Filed: **Jul. 9, 1998**

FIG. 2 is a back elevational view of the scaffolding leg extension of FIG. 1;

[51] **LOC (7) Cl.** **25-04**

FIG. 3 is a left side elevational view of the scaffolding leg extension of FIG. 1;

[52] **U.S. Cl.** **D25/68**

[58] **Field of Search** 248/210, 238;
D25/68; 182/108, 105, 107

FIG. 4 is a right side elevational view of the scaffolding leg extension of FIG. 1;

[56] **References Cited**

FIG. 5 is a top plan view of the scaffolding leg extension of FIG. 1; and,

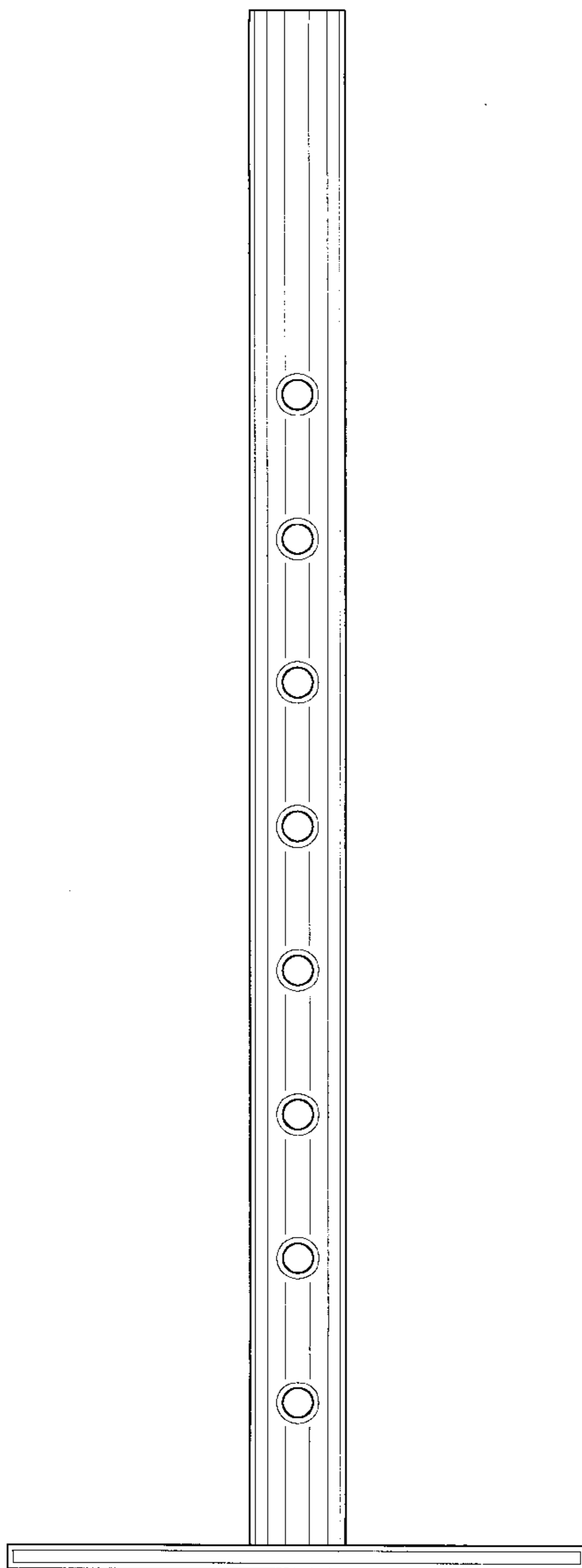
U.S. PATENT DOCUMENTS

FIG. 6 is a bottom plan view of the scaffolding leg extension of FIG. 1.

D. 380,277 6/1997 Bonn et al. D25/68

Primary Examiner—Doris Clark

1 Claim, 3 Drawing Sheets



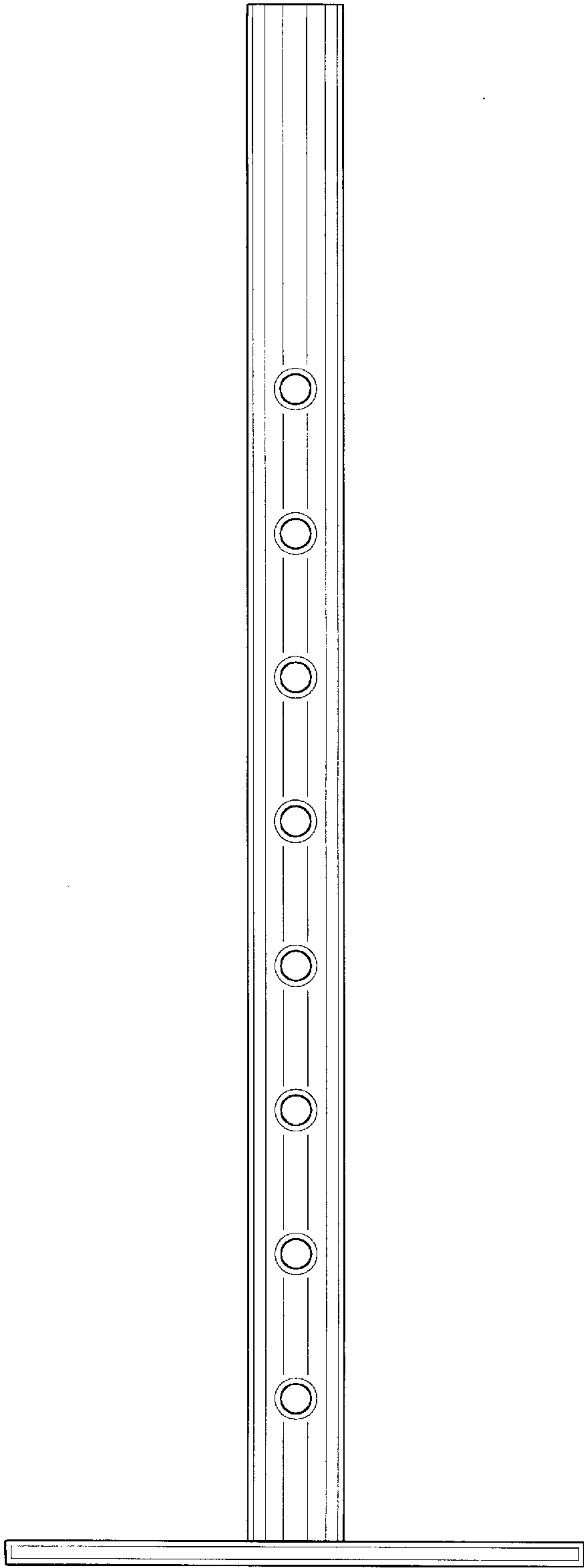


Fig. 1

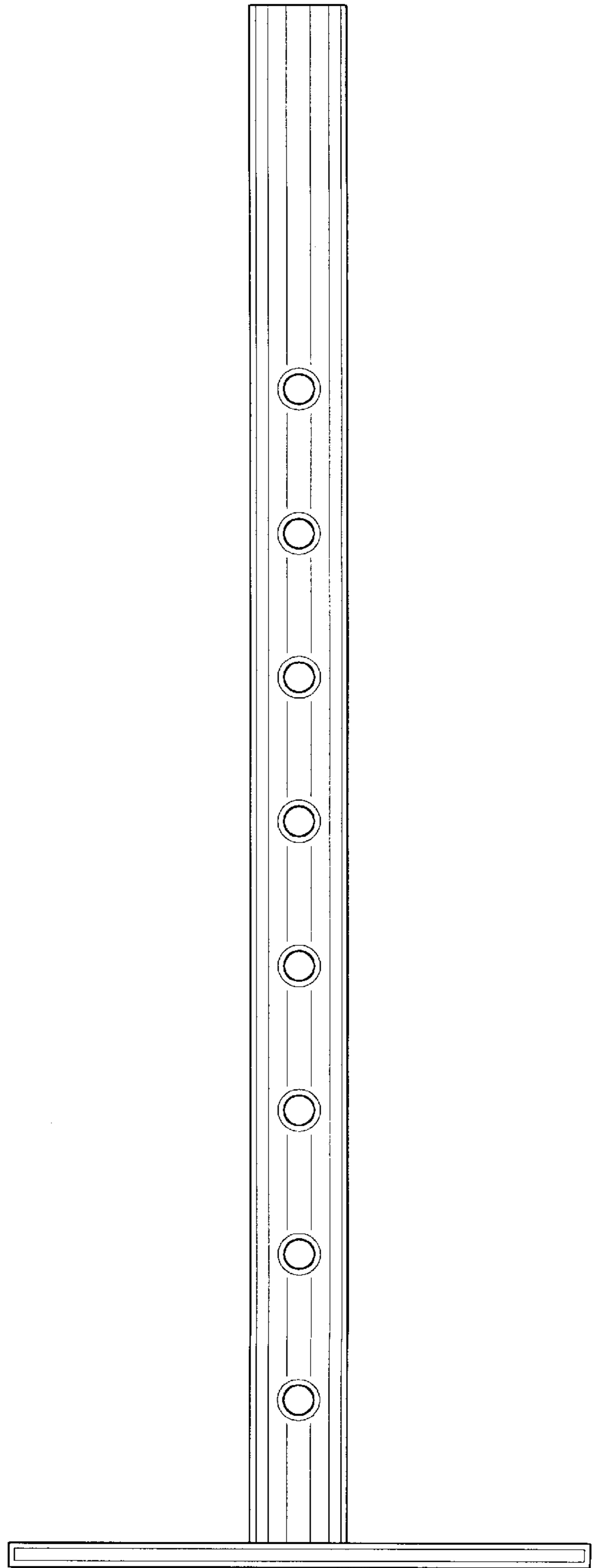


Fig. 2

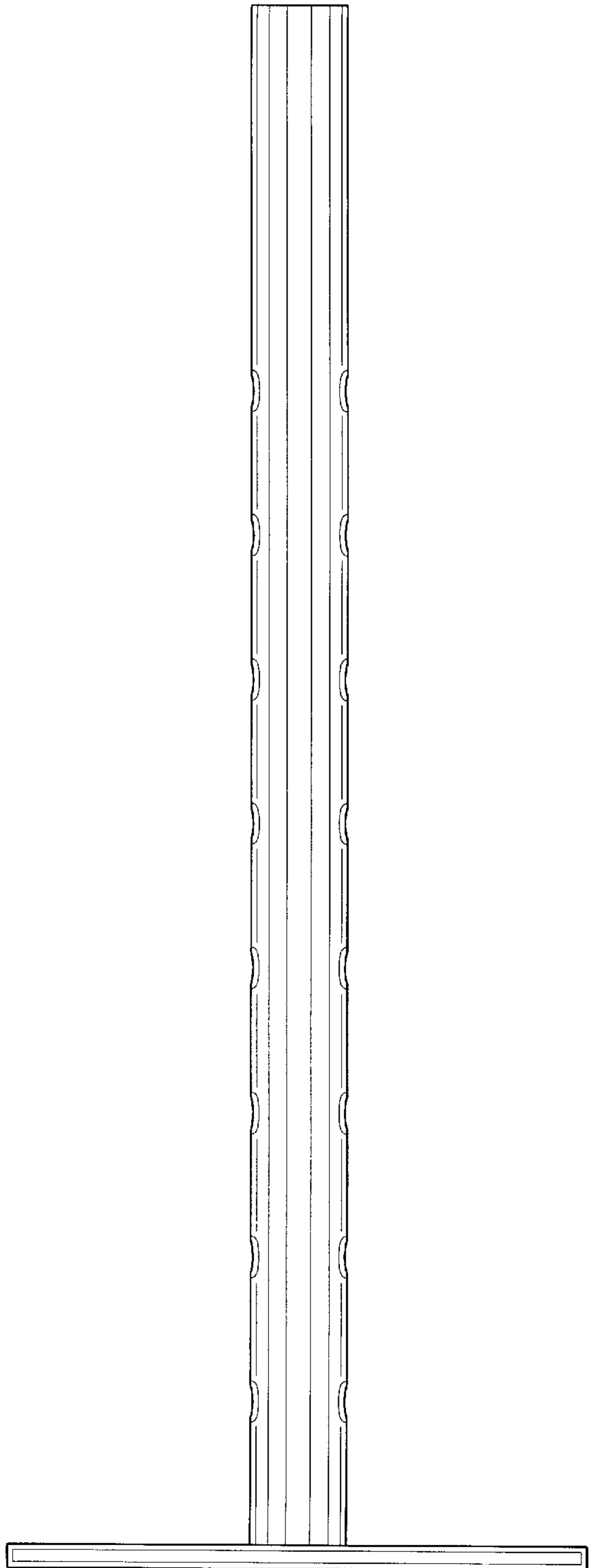


Fig. 3

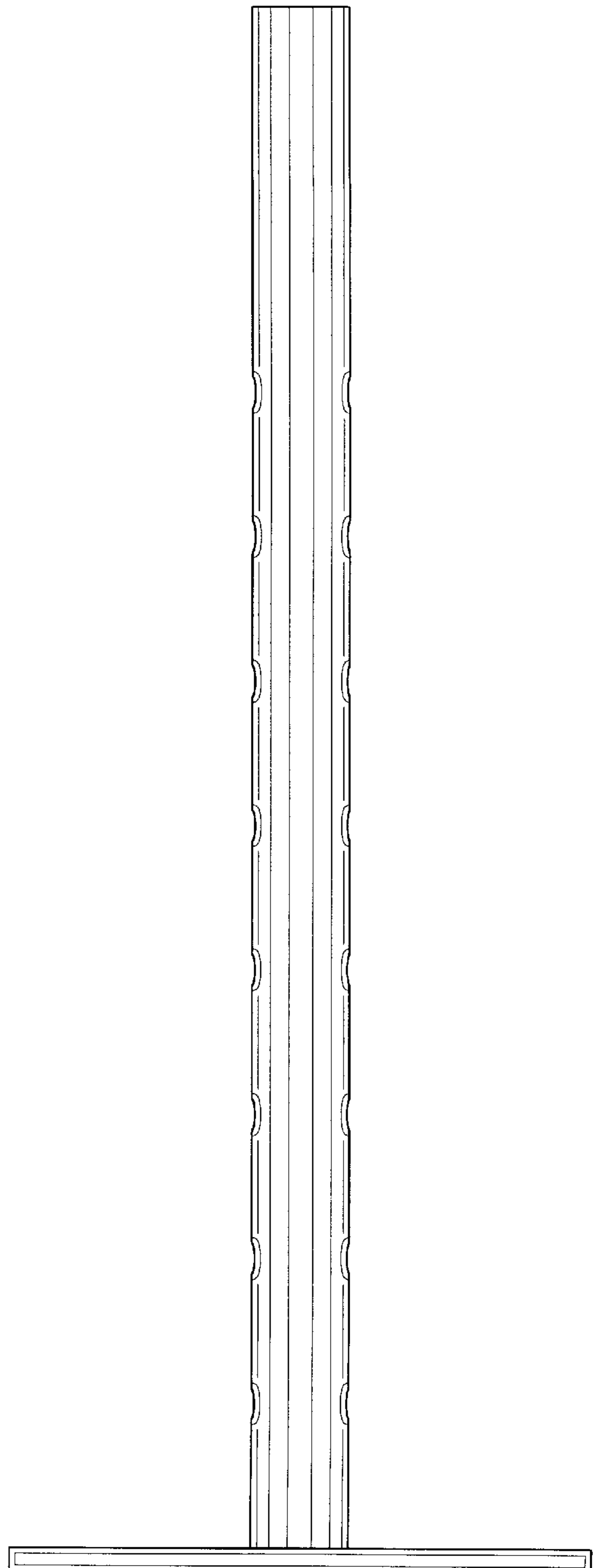


Fig. 4

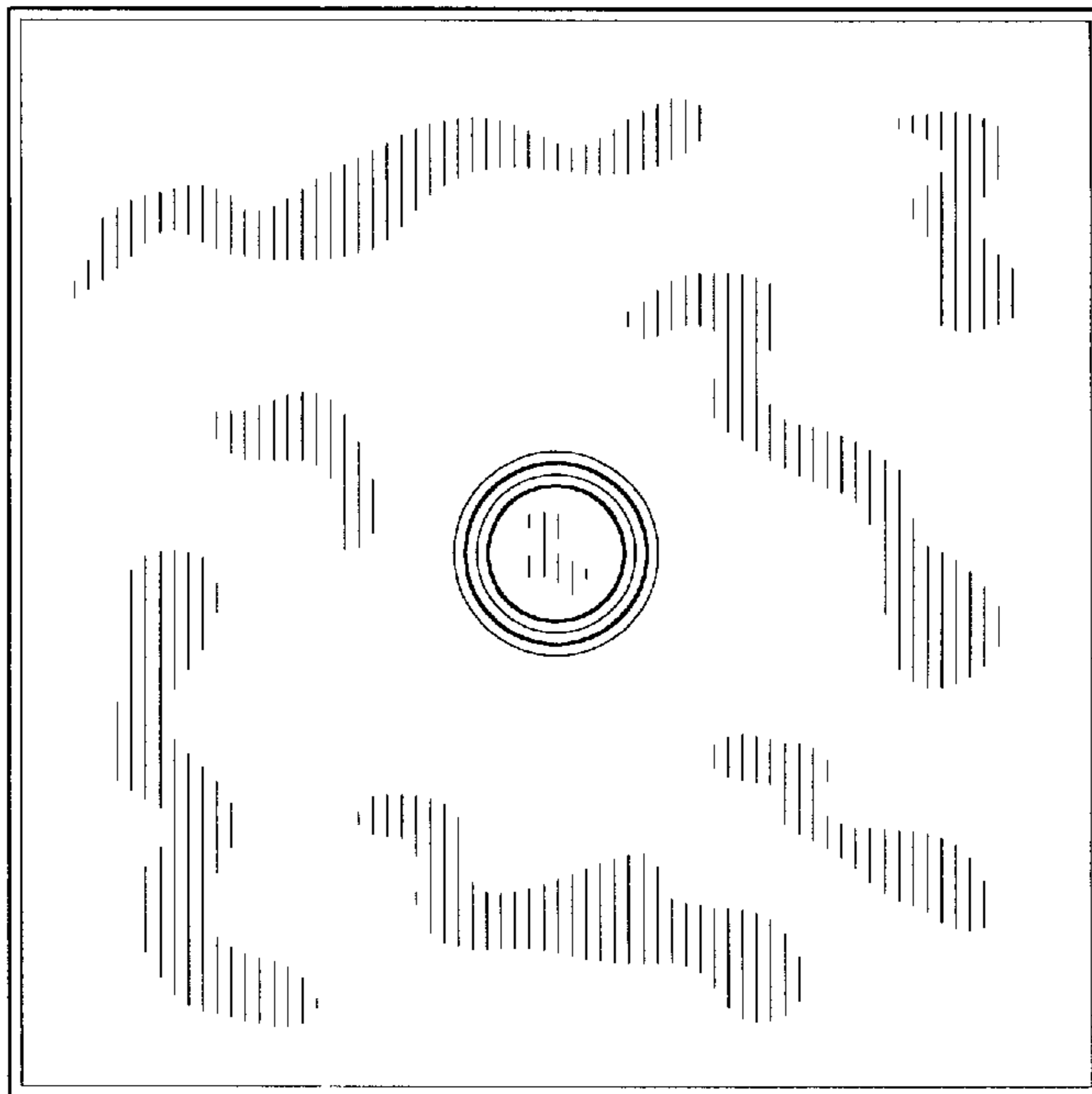


Fig. 5

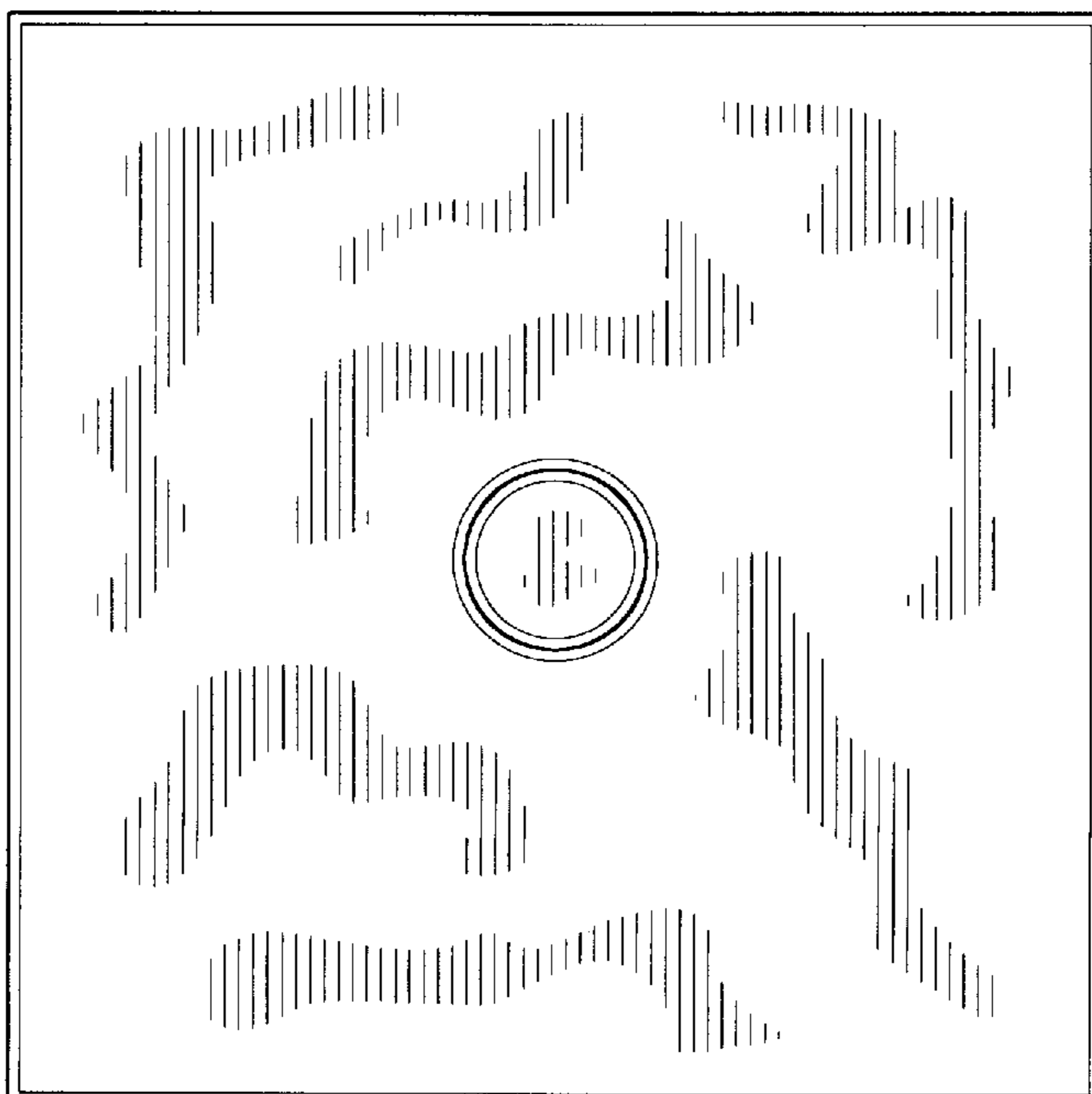


Fig. 6