



US00D420748S

United States Patent [19]

Strickland et al.

[11] Patent Number: Des. 420,748

[45] Date of Patent: ** Feb. 15, 2000

[54] **CURVED EPOXY-BASED TABLE TOP**

[76] Inventors: **Kelli Strickland**, P.O. Box 232, Taylor, Tex. 76574; **Harold J. Erbs**, 5130 Braesheather, Houston, Tex. 77096-4106

[**] Term: **14 Years**

[21] Appl. No.: **29/055,599**

[22] Filed: **Jun. 7, 1996**

[51] **LOC (7) Cl.** **24-01**

[52] **U.S. Cl.** **D24/234**

[58] **Field of Search** D24/234, 231; D6/511, 509, 491; 422/99; 312/209, 140.1, 140.3; D23/300, 284-293.1; 4/631

[56] **References Cited**

U.S. PATENT DOCUMENTS

D. 184,887	4/1959	Ogg	D24/234
D. 299,395	1/1989	Osvold	D6/511
2,665,183	1/1954	Battles	312/140.3
3,606,508	9/1971	Burnes	312/140.3
4,002,382	1/1977	Wolf et al.	312/209

OTHER PUBLICATIONS

Sweet's General Buliding and Renovation Catalog section 12000, Cabinet Max Laboratory Units, (no page number), Apr. 1993.

Sweet's General Buliding and Renovation Catalog, section 12000, Laboratory Tops p. 2. Selection of countertop profiles, Apr. 1993.

Primary Examiner—Louis S. Zarfes

Assistant Examiner—G. Andoll

Attorney, Agent, or Firm—Beirne, Maynard & Parsons, L.L.P.

[57] **CLAIM**

We claim the ornamental design for curved epoxy-based table top, as shown and described.

DESCRIPTION

FIG. 1 is a perspective view of a curved epoxy-based table top, showing our new design;

FIG. 2 is an enlarged perspective view of an outside corner thereof, taken at detail 2 of FIG. 1;

FIG. 3 is a top plan view of the detail shown in FIG. 2;

FIG. 4 is a side elevational view of FIG. 2;

FIG. 5 is a perspective view of an inside corner, taken at detail 5 of FIG. 1;

FIG. 6 is a top plan view of the detail shown in FIG. 5;

FIG. 7 is a sectional view taken along line 7—7 of FIG. 6; and,

FIG. 8 is a sectional view taken along line 8—8 of FIG. 3.

The rear and side of the curved epoxy-based table top not shown form no part of the claimed design.

The broken line showing of the sink and cabinetry in FIG. 1 is for illustrative purposes only and forms no part of the claimed design.

1 Claim, 2 Drawing Sheets

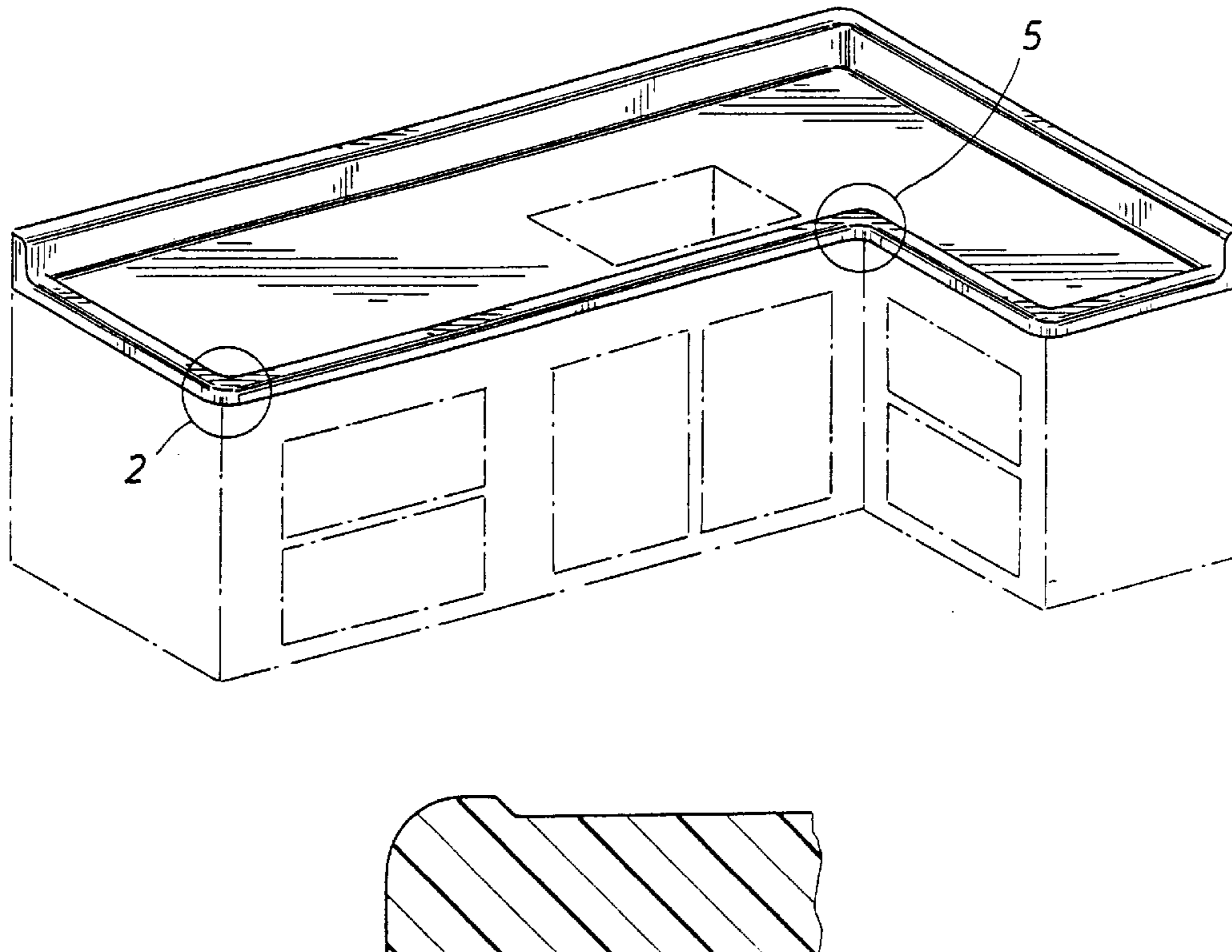


FIG. 1

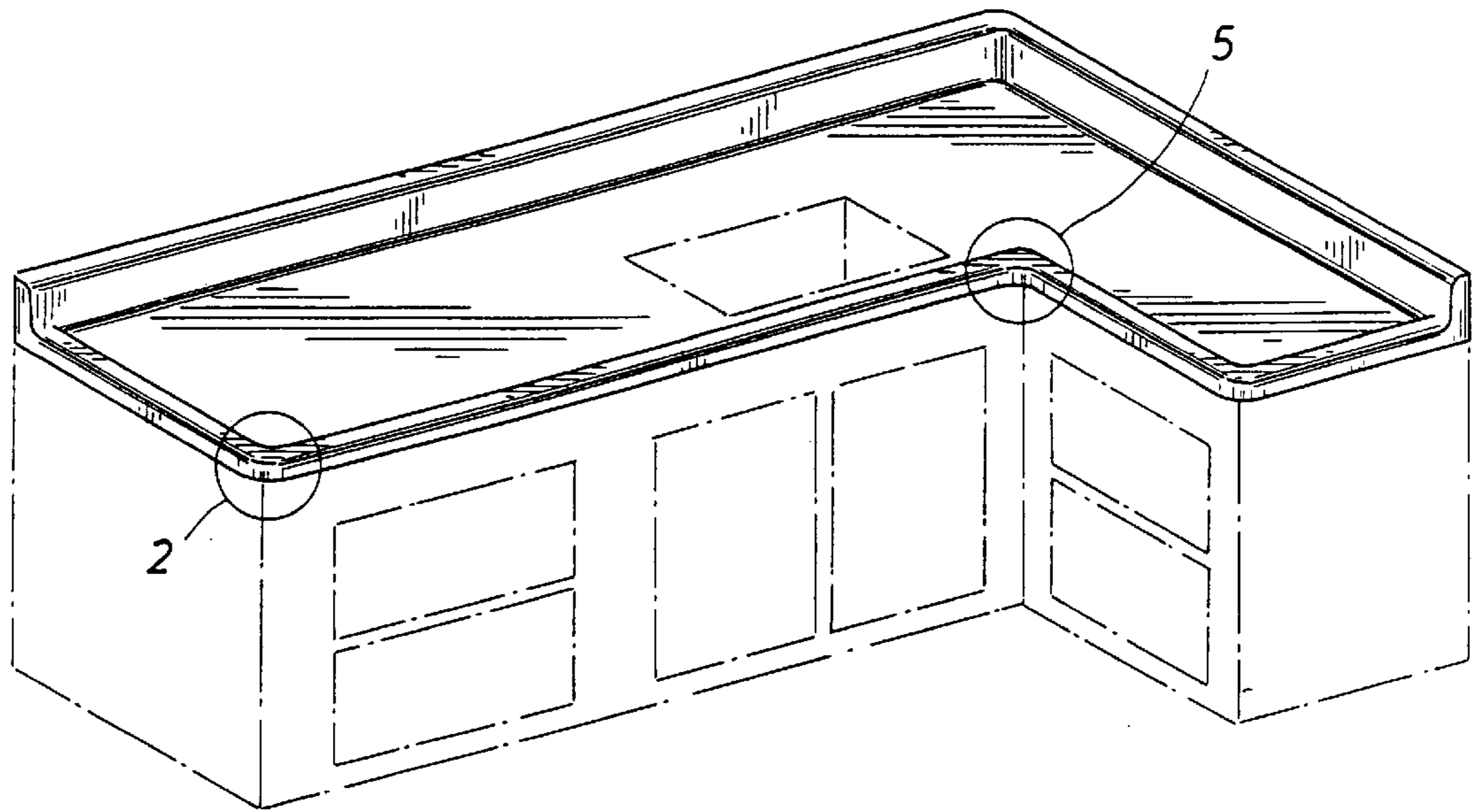


FIG. 2

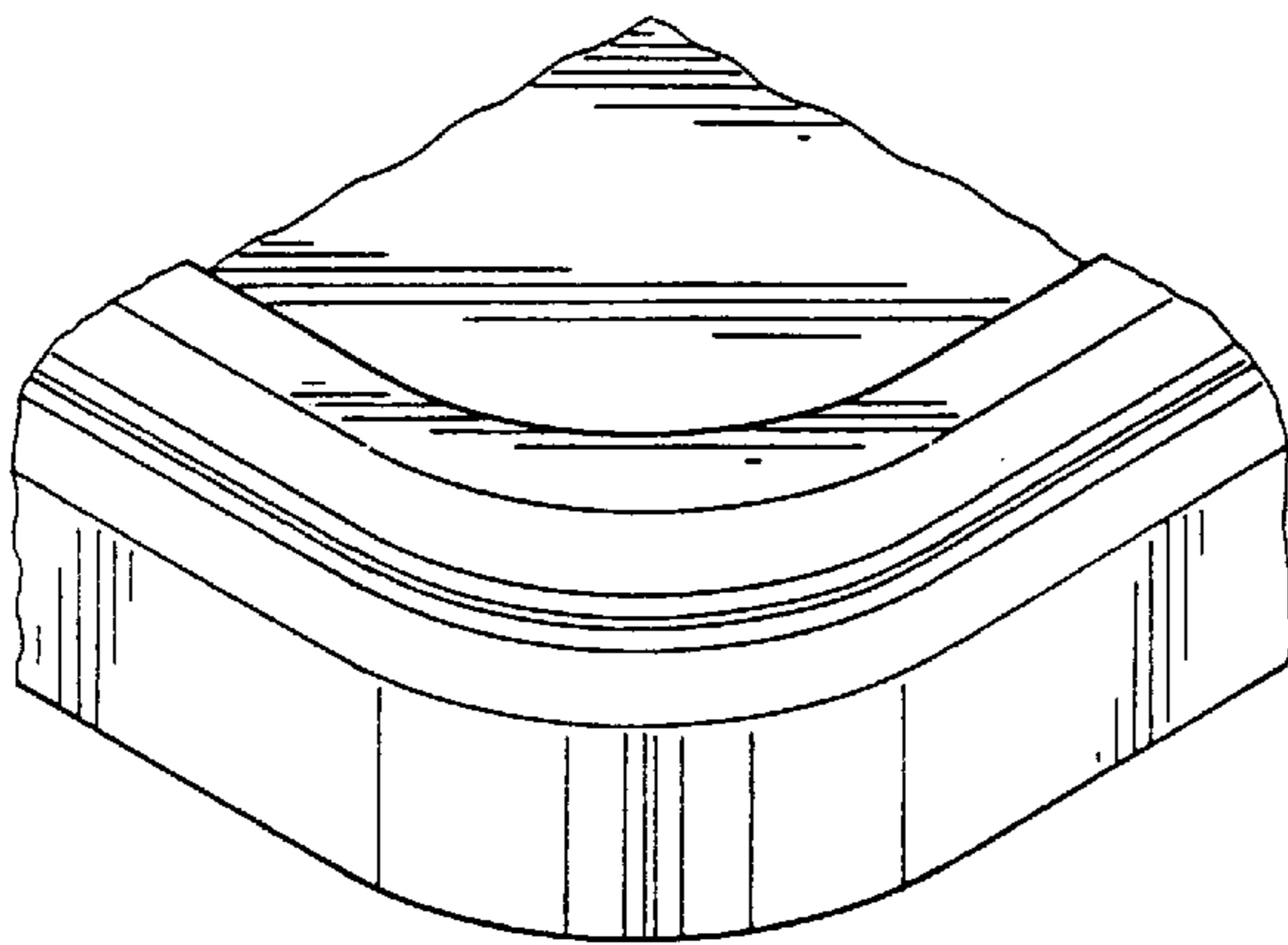


FIG. 3

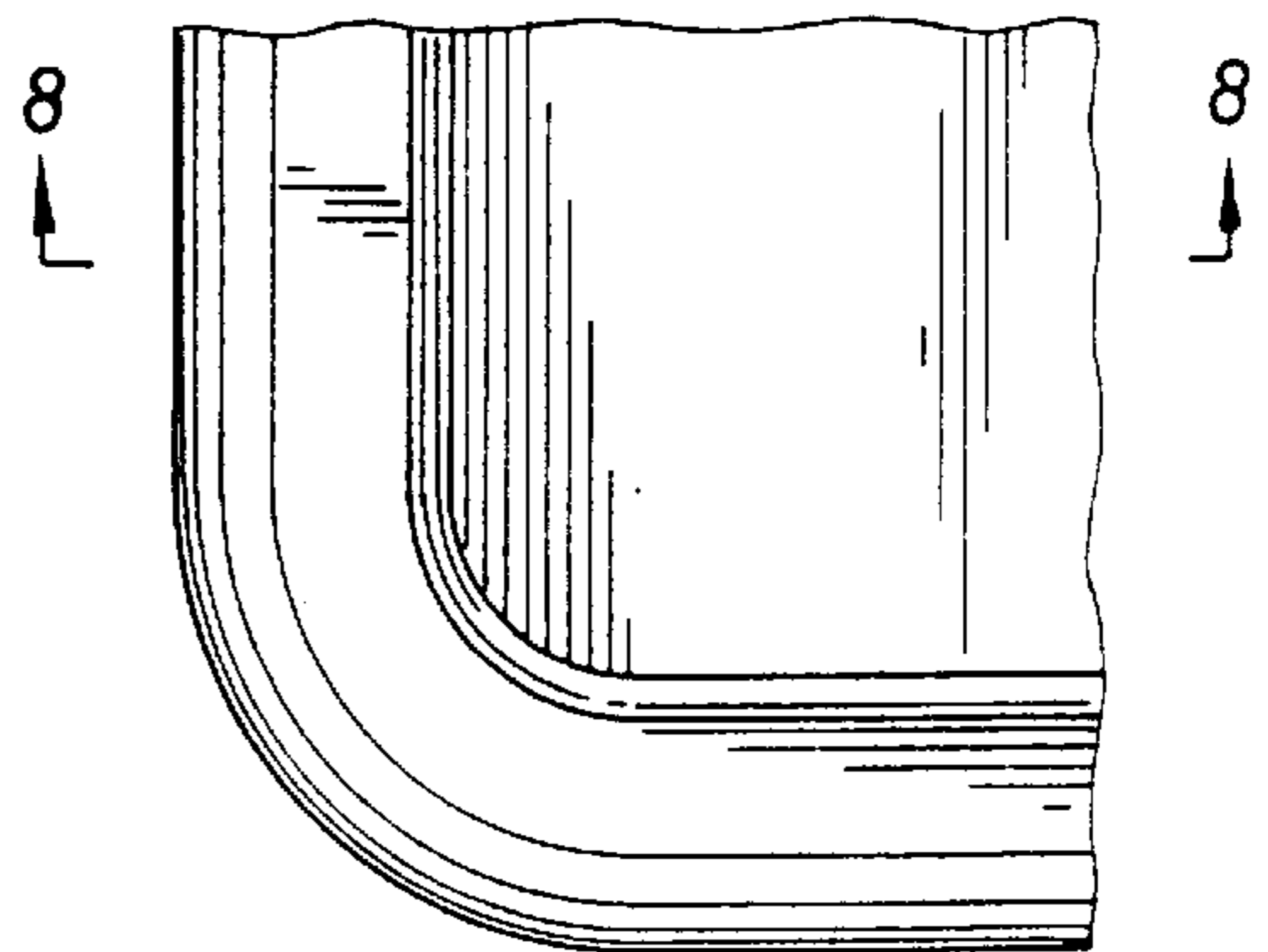


FIG. 4

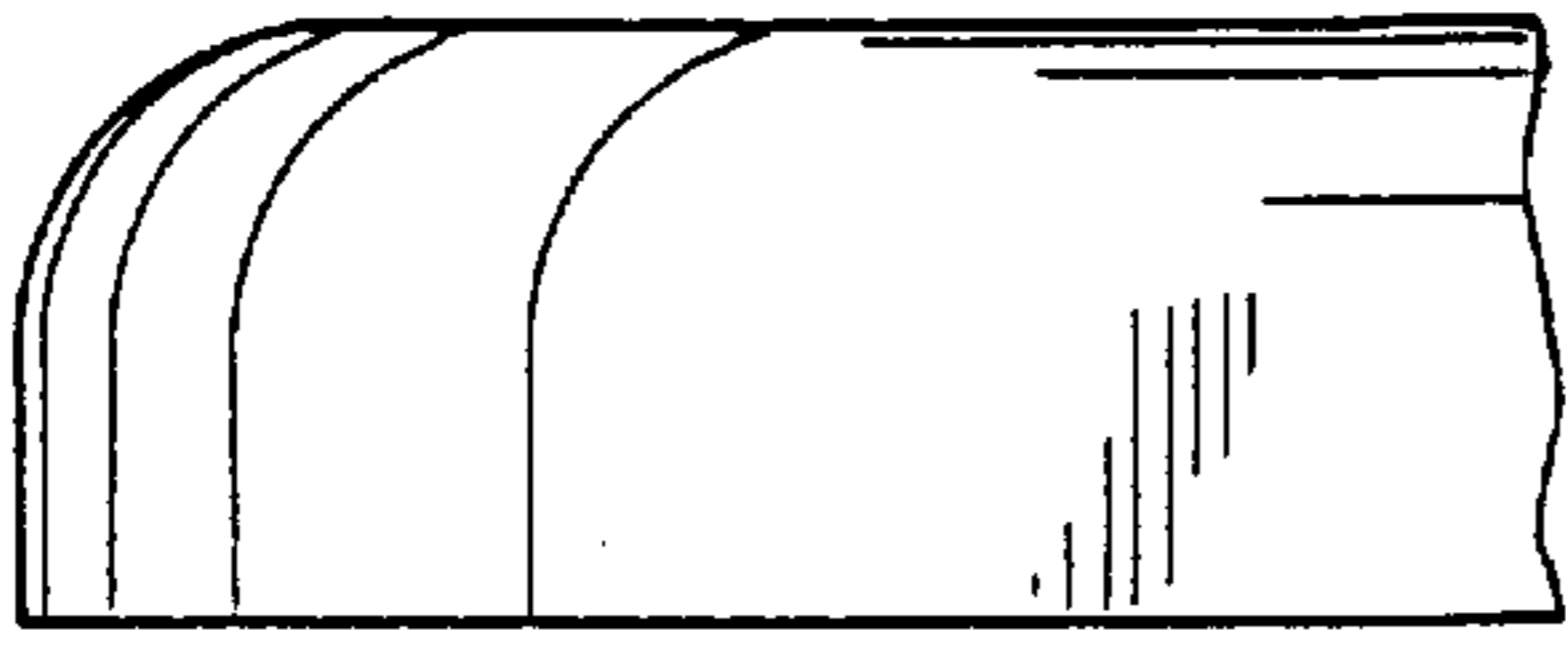


FIG. 5

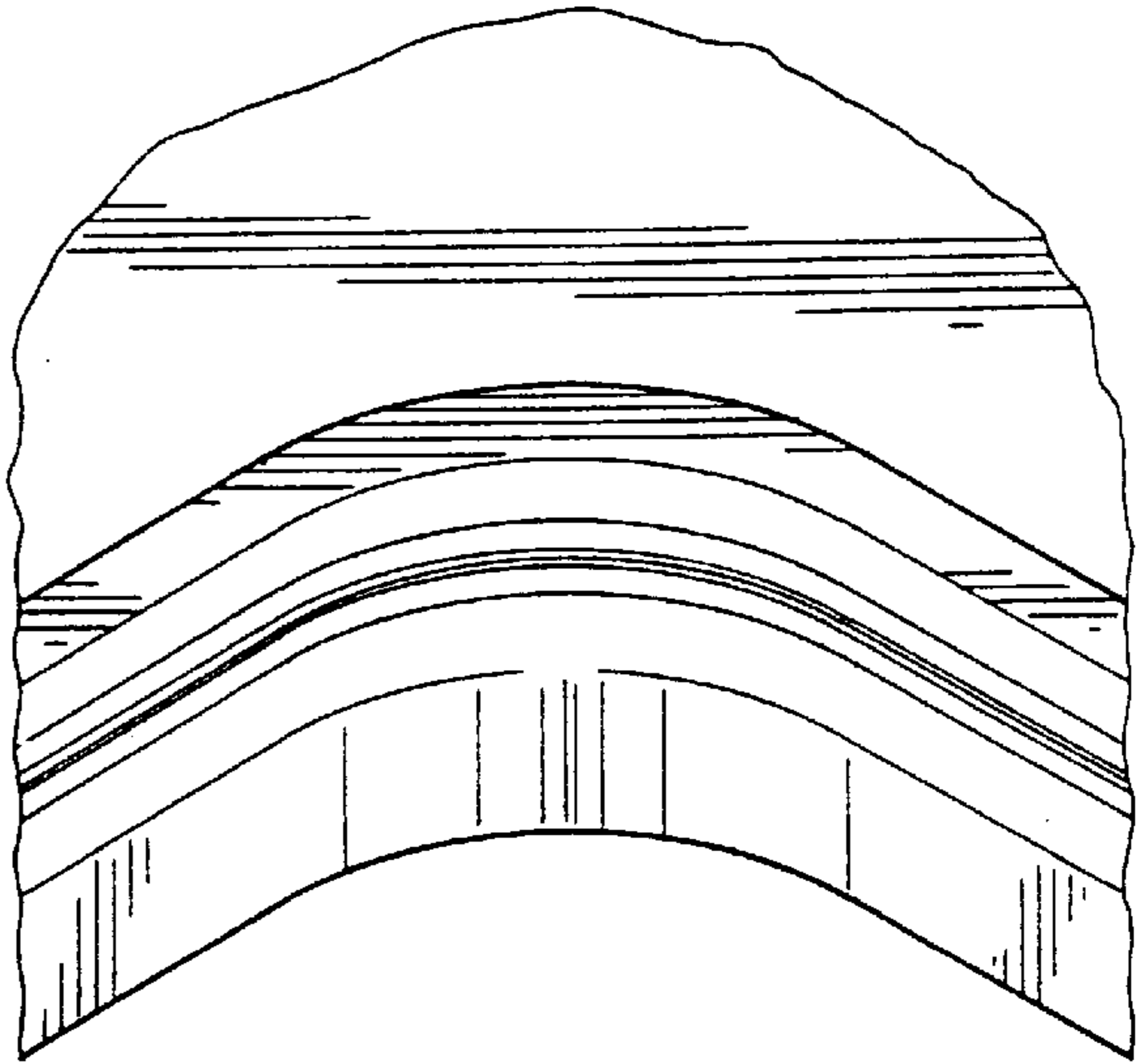


FIG. 6

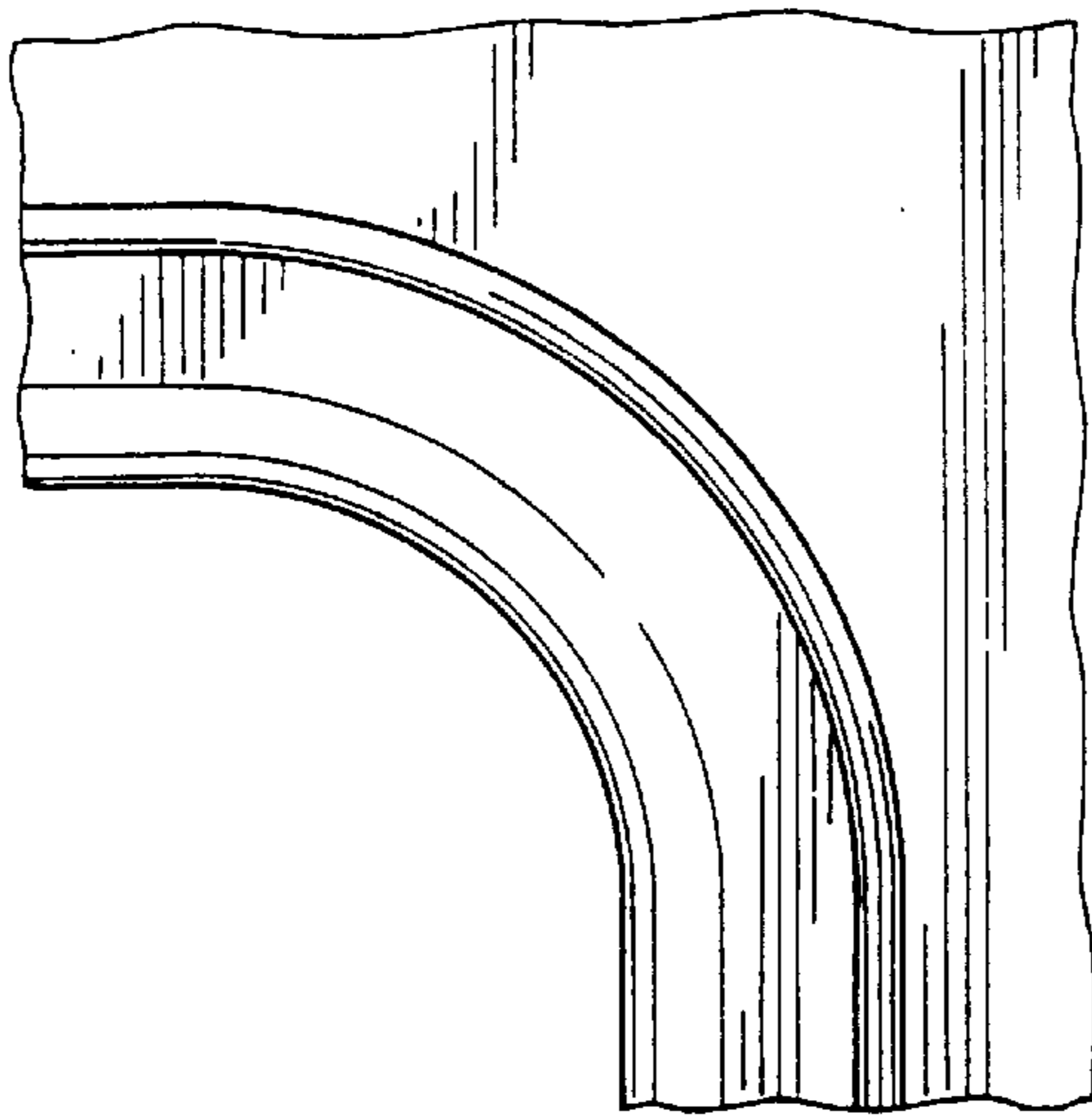


FIG. 7

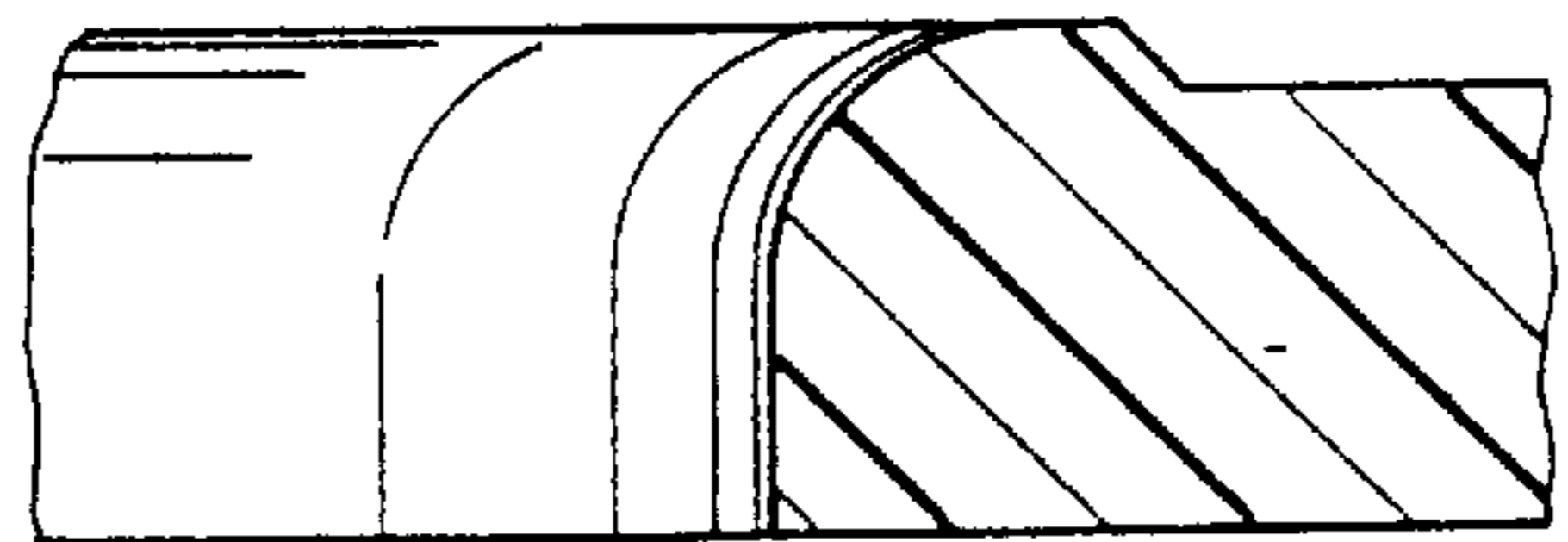


FIG. 8

