



US00D420742S

United States Patent [19]

Noble

[11] **Patent Number: Des. 420,742**

[45] **Date of Patent: ** Feb. 15, 2000**

[54] **TONGUE CLEANER**

[75] Inventor: **Terrance O. Noble**, Burnsville, Minn.

[73] Assignee: **Apothecary Products, Inc.**, Burnsville, Minn.

[**] Term: **14 Years**

[21] Appl. No.: **29/092,864**

[22] Filed: **Aug. 28, 1998**

[51] **LOC (7) Cl.** **24-02**

[52] **U.S. Cl.** **D24/146**

[58] **Field of Search** D24/146, 147,
D24/149, 176, 231; D8/4; D32/48; 606/161;
15/111; 30/169

[56] **References Cited**

U.S. PATENT DOCUMENTS

D. 404,922 2/1999 Ister D4/108

D. 413,671 9/1999 Thakur et al. D24/146
2,574,654 11/1951 Moore 606/161
5,915,433 6/1999 Hybler 15/111

Primary Examiner—Eric Watterson
Attorney, Agent, or Firm—Merchant & Gould P. C.

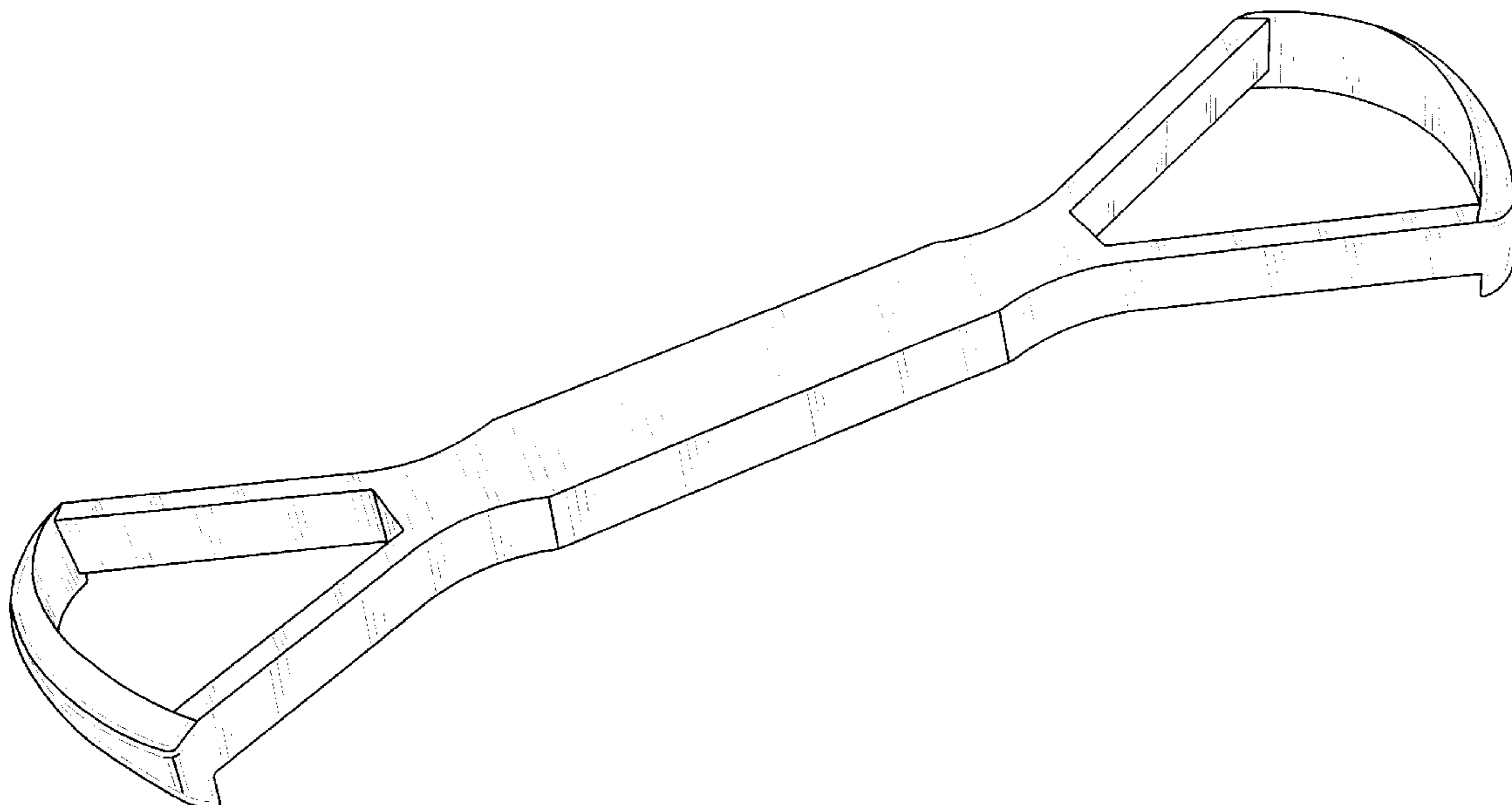
[57] **CLAIM**

The ornamental design for tongue cleaner, as shown and described.

DESCRIPTION

FIG. 1 is a perspective view of a tongue cleaner showing my new design;
FIG. 2 is a top plan thereof;
FIG. 3 is a left side elevation thereof;
FIG. 4 is a bottom plan thereof;
FIG. 5 is a right side elevation thereof;
FIG. 6 is a front elevation thereof; and,
FIG. 7 is a rear elevation thereof.

1 Claim, 2 Drawing Sheets



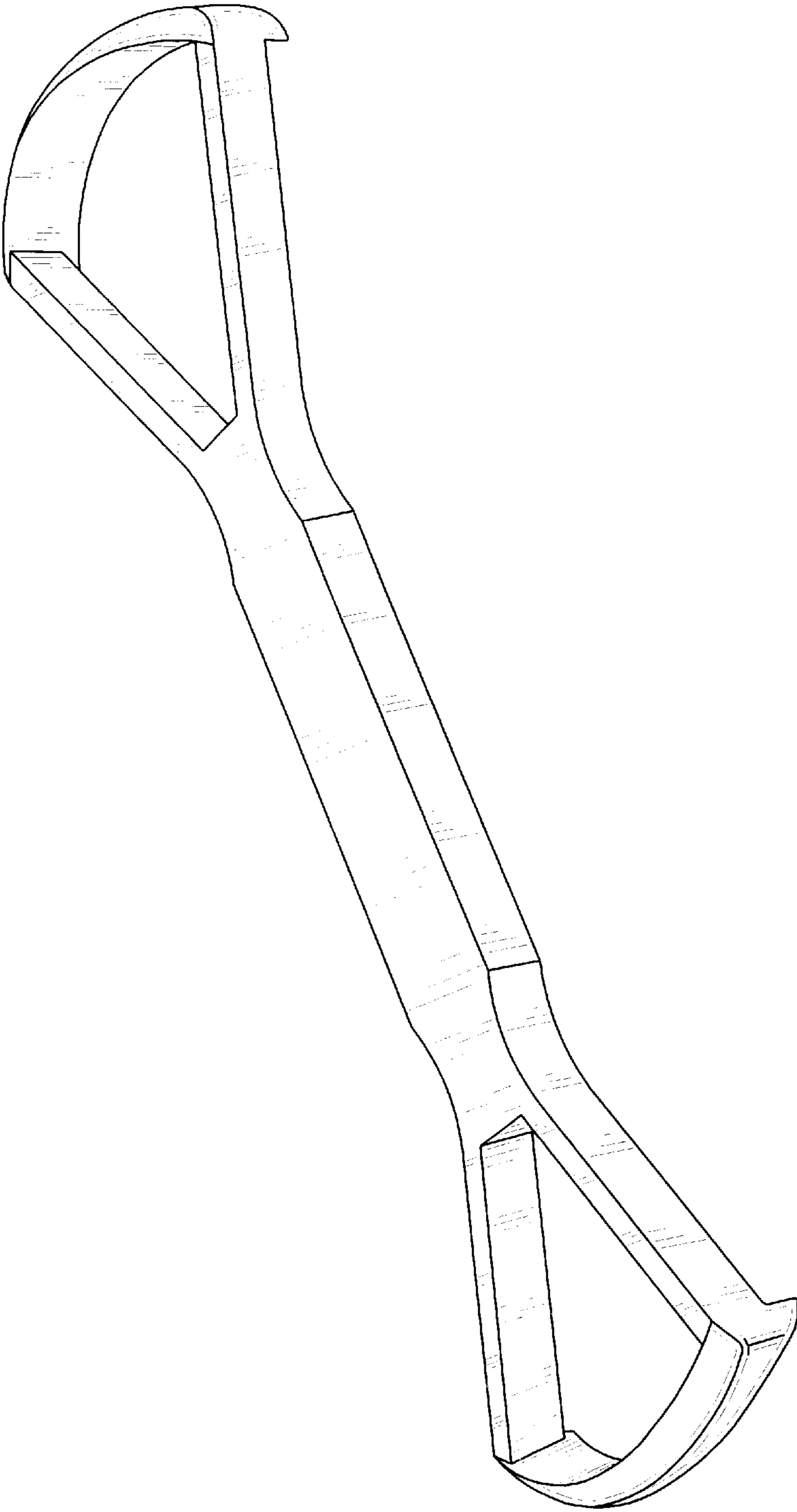


FIG. 1

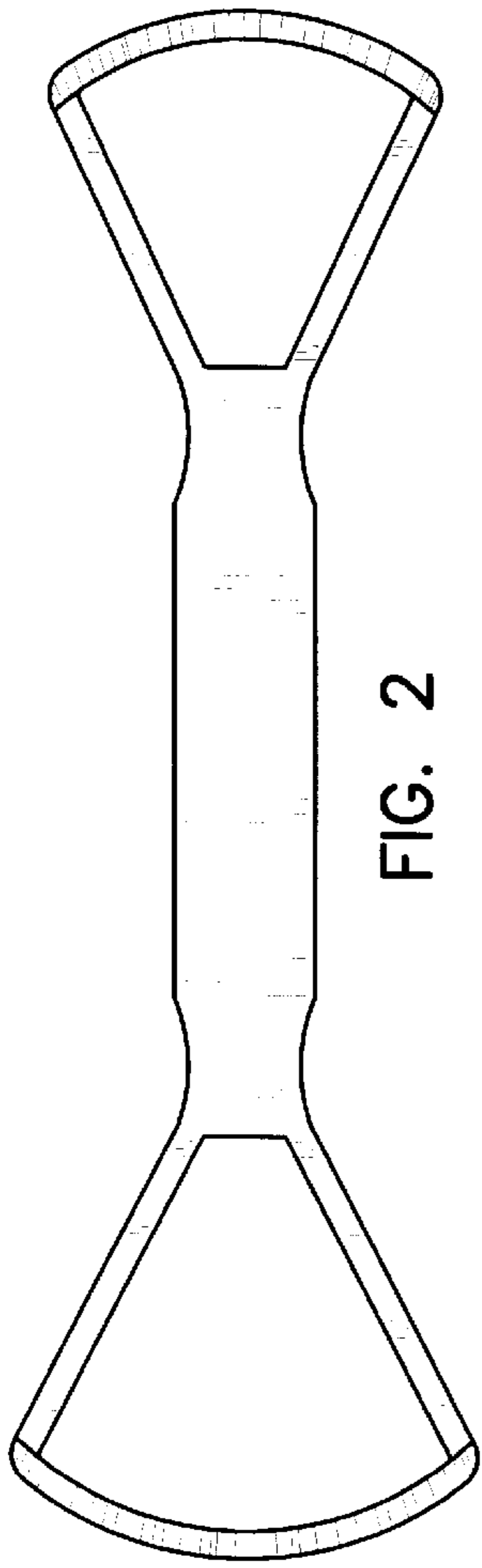


FIG. 2

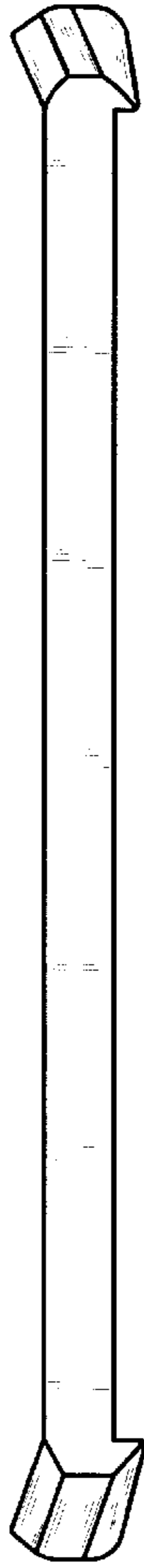


FIG. 3

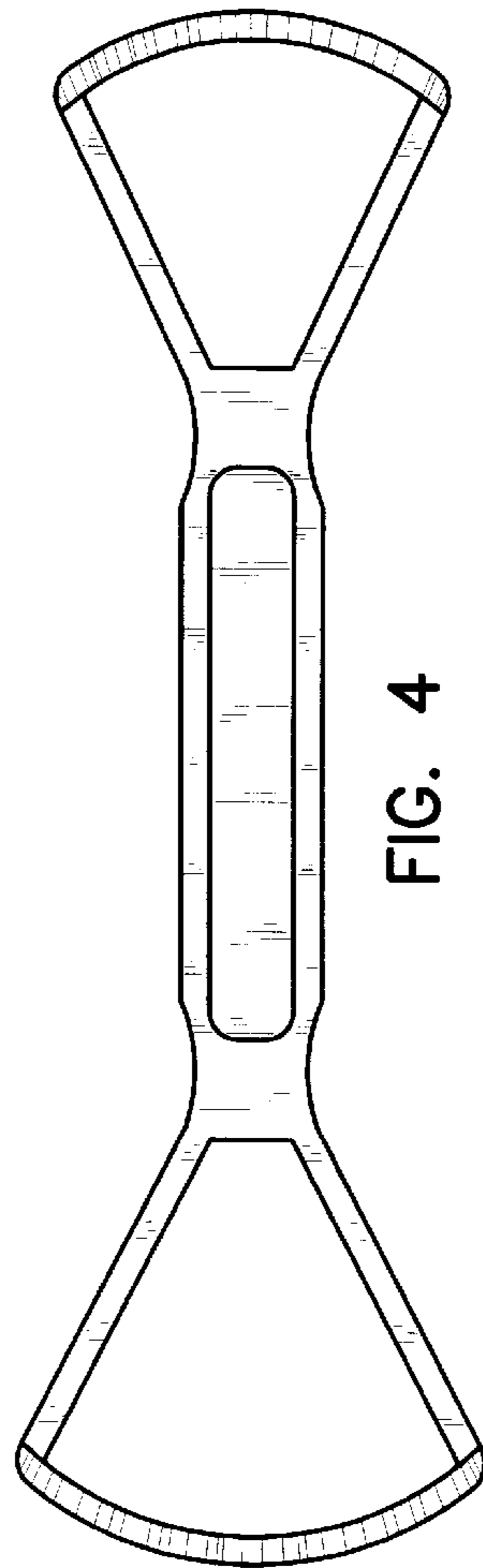


FIG. 4

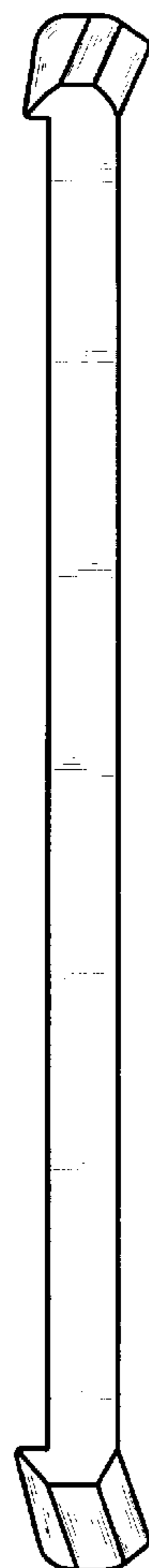


FIG. 5



FIG. 6



FIG. 7