



US00D420741S

United States Patent [19] Croley

[11] **Patent Number: Des. 420,741**

[45] **Date of Patent: ** Feb. 15, 2000**

[54] **HANDLE FOR AN ELECTROSURGICAL INSTRUMENT**

[75] Inventor: **Curt D. Croley**, Cincinnati, Ohio

[73] Assignee: **Ethicon Endo-Surgery, Inc.**, Cincinnati, Ohio

[**] Term: **14 Years**

[21] Appl. No.: **29/059,660**

[22] Filed: **Aug. 20, 1996**

Related U.S. Application Data

[62] Division of application No. 29/045,452, Oct. 19, 1995, Pat. No. Des. 378,611.

[51] **LOC (7) Cl.** **24-02**

[52] **U.S. Cl.** **D24/144**

[58] **Field of Search** D24/144, 145, D24/146, 170, 143, 147, 133; 606/45, 46, 30, 40, 37, 39, 48, 49, 41, 1, 205, 170, 171, 206, 174, 142, 207

[56] References Cited

U.S. PATENT DOCUMENTS

D. 343,453 1/1994 Noda D24/144 X

D. 345,212	3/1994	Brancel et al.	D24/146 X
D. 353,886	12/1994	Bales et al.	D24/108
D. 357,980	5/1995	Elk et al.	D24/143
D. 378,611	3/1997	Croley	D24/144
4,950,273	8/1990	Briggs	606/208 X
5,409,478	4/1995	Gerry et al.	606/1

Primary Examiner—Pamela Burgess
Attorney, Agent, or Firm—Bernard Shay

[57] CLAIM

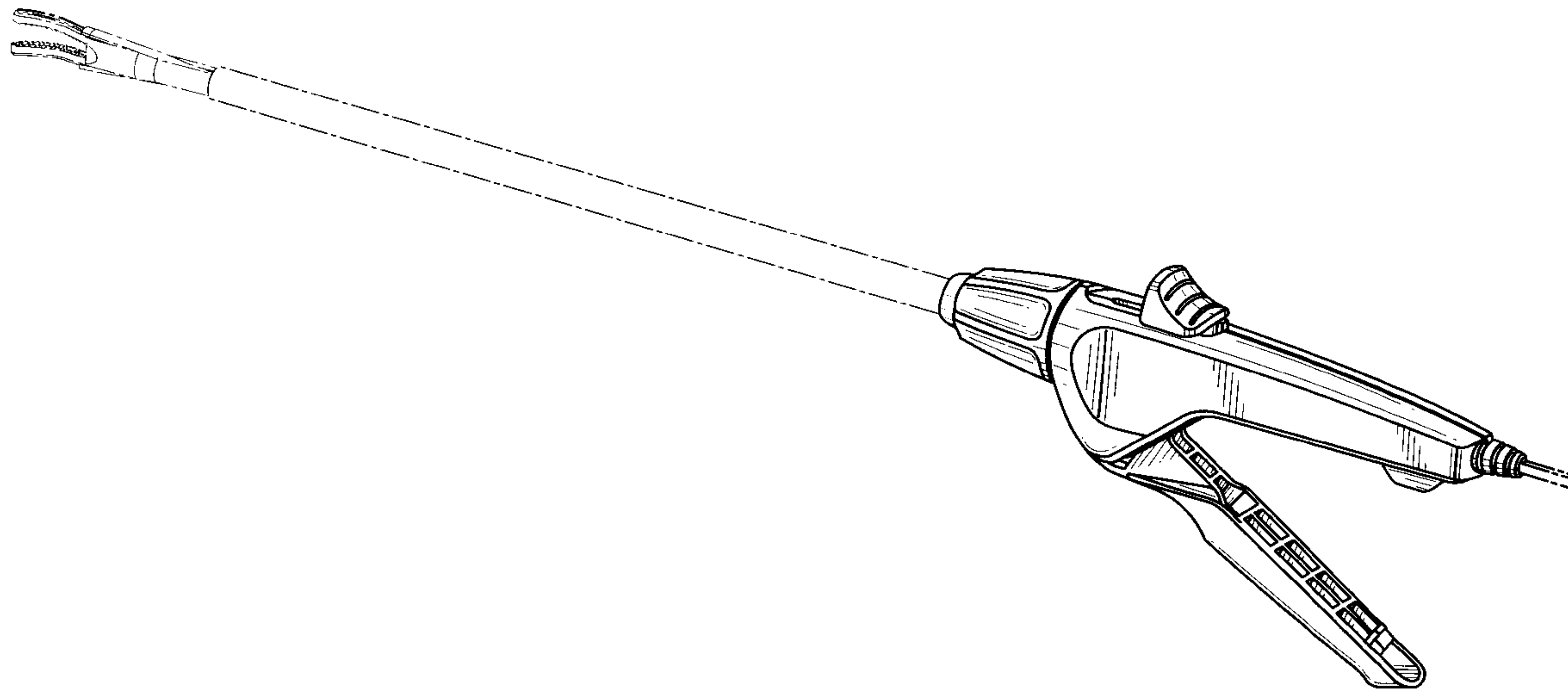
The ornamental design for a handle for an electrosurgical instrument, as shown and described.

DESCRIPTION

FIG. 1 is a perspective view of a handle for an electrosurgical instrument as seen from the rear top and left side; FIG. 2 is a top plan view thereof; FIG. 3 is a side elevational view thereof, the opposite side elevational view being a mirror image; FIG. 4 is a bottom plan view thereof; FIG. 5 is an enlarged front elevational view thereof; and, FIG. 6 is an enlarged rear elevational view thereof.

The broken lines shown are for illustrative purposes only and form no part of the claimed design.

1 Claim, 3 Drawing Sheets



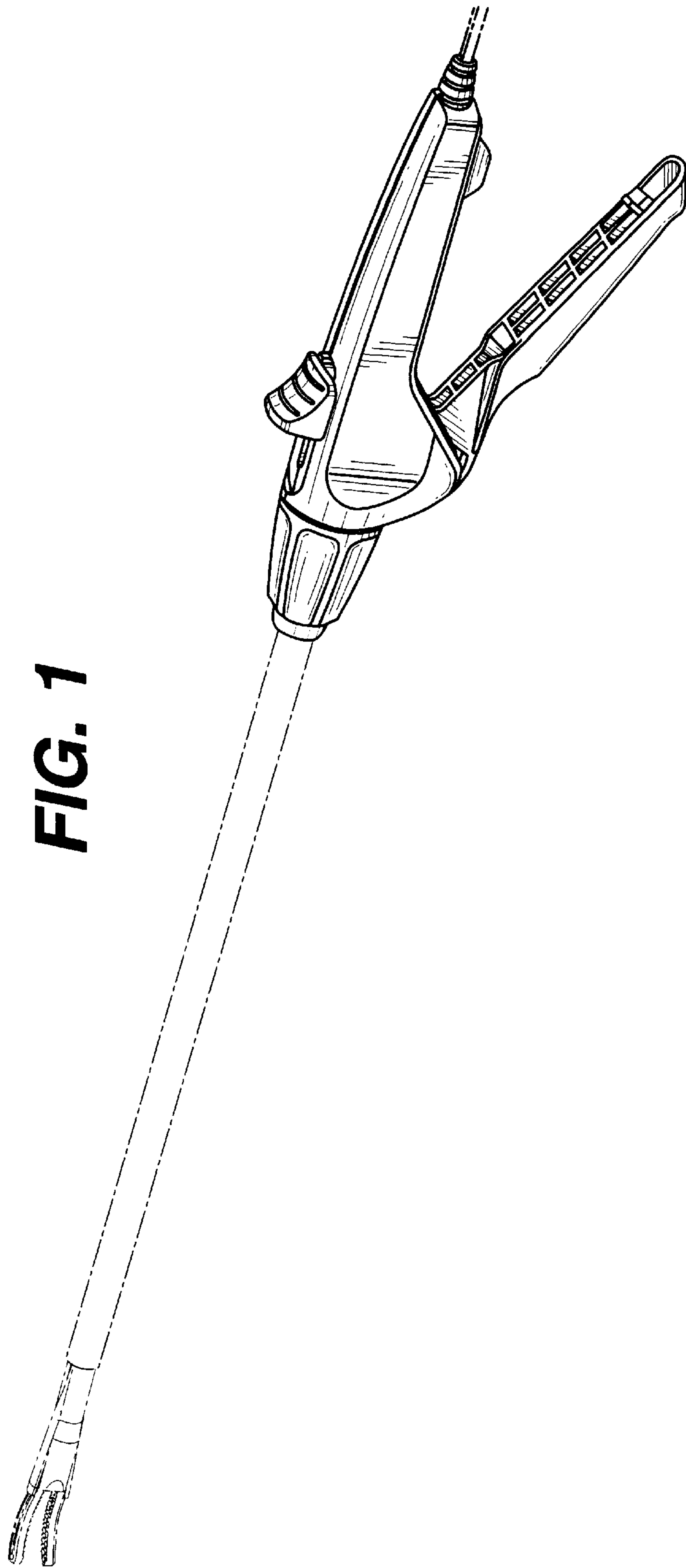


FIG. 1

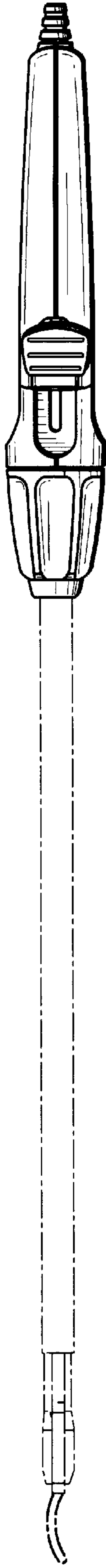


FIG. 2

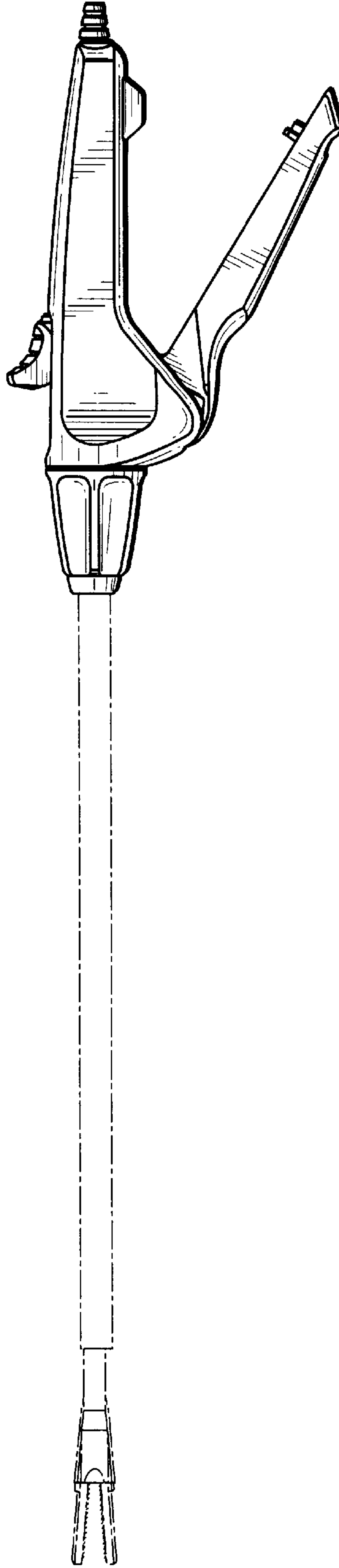


FIG. 3

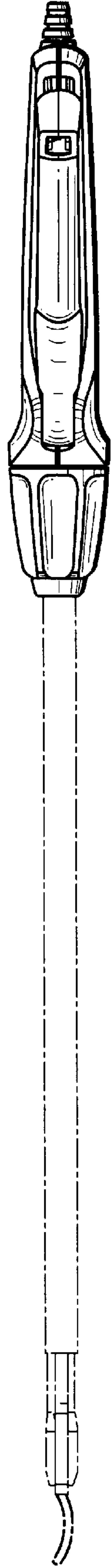


FIG. 4

FIG. 5

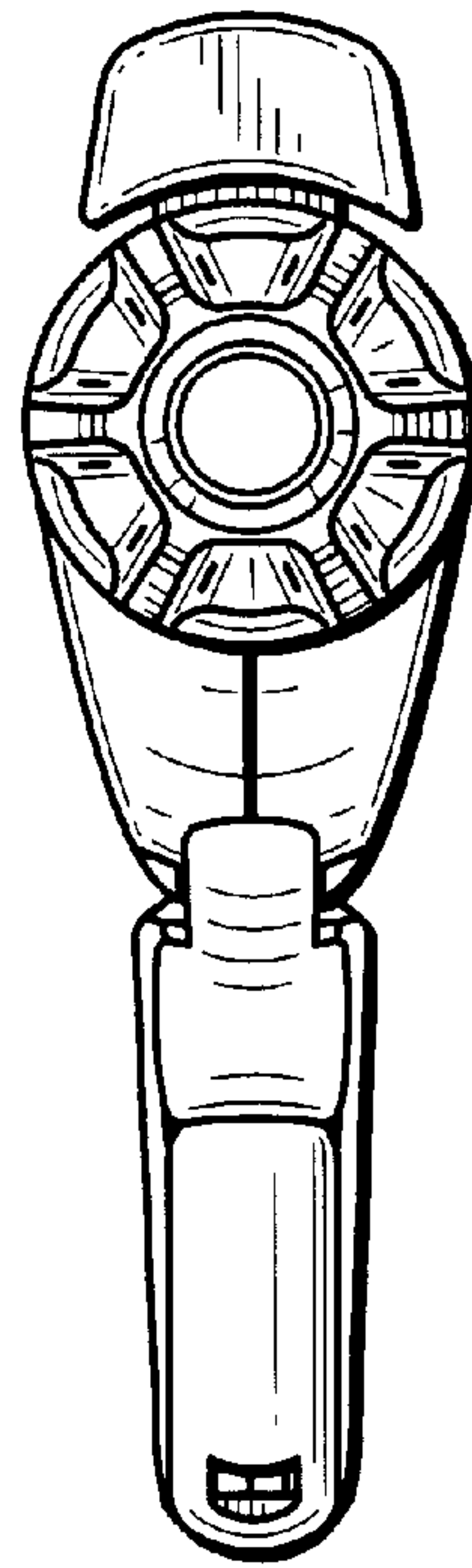


FIG. 6

