



US00D420738S

United States Patent [19]

Carter et al.

[11] Patent Number: **Des. 420,738**

[45] Date of Patent: **** Feb. 15, 2000**

[54] **PARACENTESIS PUMP**

[75] Inventors: **Frank C. Carter**, Wormleysburg;
Frank W. Jackson, Jr., Mechanicsburg,
both of Pa.; **Edgar B. Montague, III**;
Ian W. Cunningham, both of
Charlotte, N.C.; **Robin E. Smith**,
Morresville, N.C.

[73] Assignee: **Chek Med Systems, Inc.**, Camp Hill,
Pa.

[**] Term: **14 Years**

[21] Appl. No.: **29/093,918**

[22] Filed: **Sep. 22, 1998**

[51] **LOC (7) Cl.** **24-02**

[52] **U.S. Cl.** **D24/111; D24/108**

[58] **Field of Search** **D24/111, 185,**
D24/169, 186, 164, 167, 108; 604/30, 67,
DIG. 17, DIG. 13, 63, 73, 68, 65, 4, 5,
6, 22, 6 C

[56] **References Cited**

U.S. PATENT DOCUMENTS

D. 320,444	10/1991	Kida	D24/169
D. 380,550	7/1997	Dennewill et al.	D24/185
D. 381,749	7/1997	Lawrence et al.	D24/169

Primary Examiner—Stella Reid
Assistant Examiner—I. Simmons
Attorney, Agent, or Firm—Eugene Chovanes

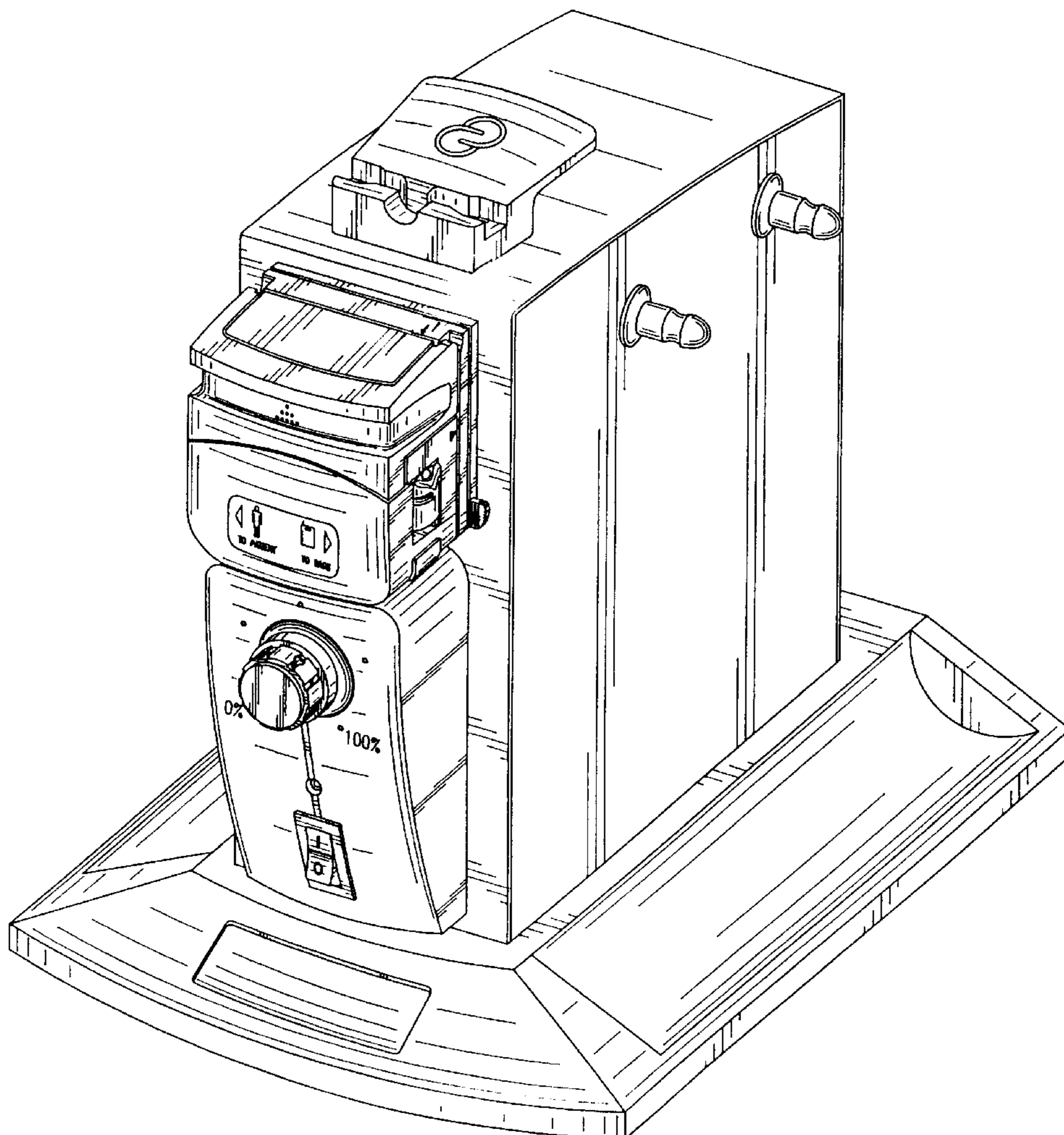
[57] CLAIM

We claim the ornamental design for paracentesis pump, as shown.

DESCRIPTION

FIG. 1 is a front elevational view.
FIG. 2 is the back elevational view.
FIG. 3 is a right side elevational view.
FIG. 4 is a left side elevational view.
FIG. 5 is a top plan view.
FIG. 6 is a bottom plan view; and,
FIG. 7 is a perspective view.

1 Claim, 7 Drawing Sheets



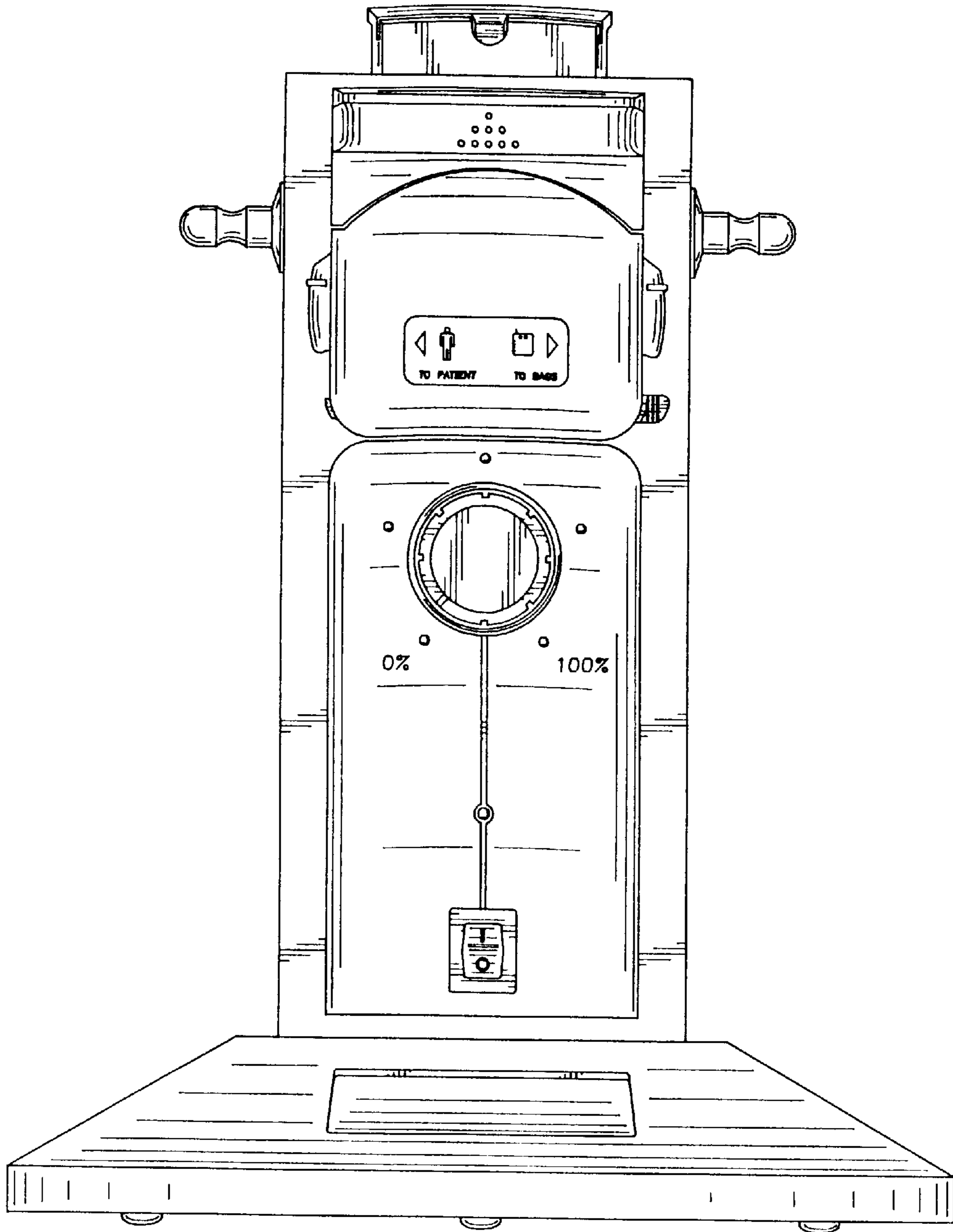


FIG. 1

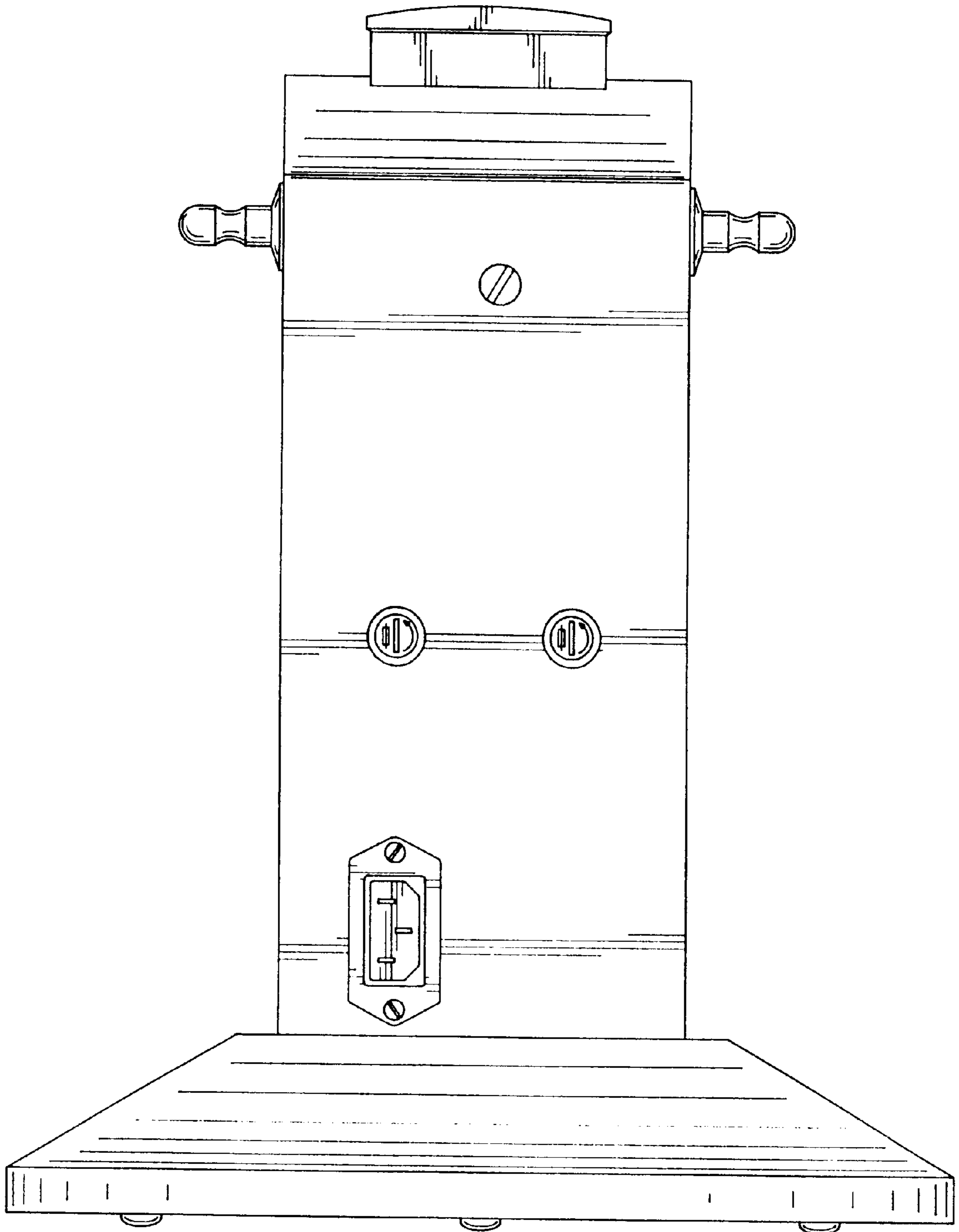


FIG. 2

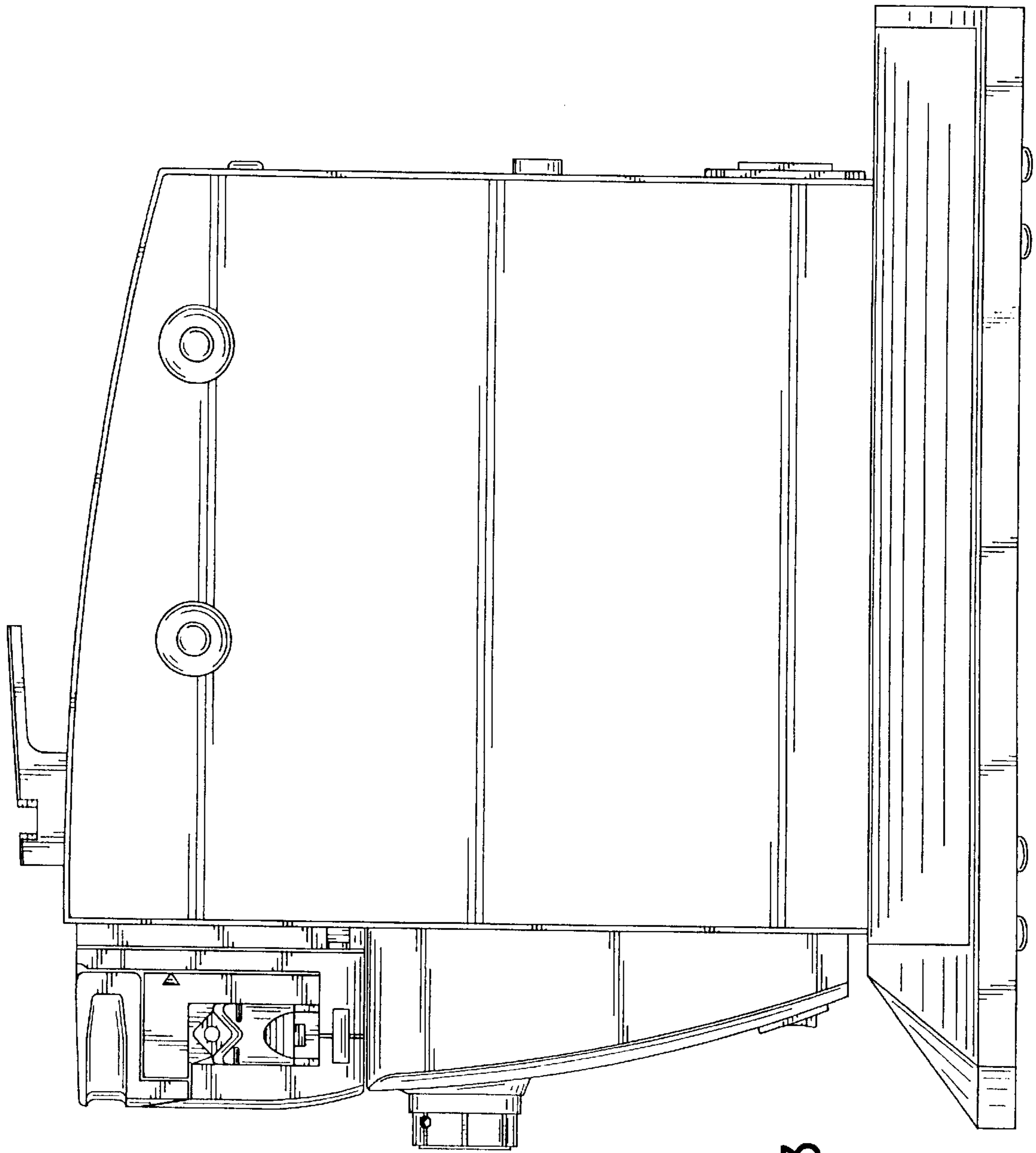


FIG. 3

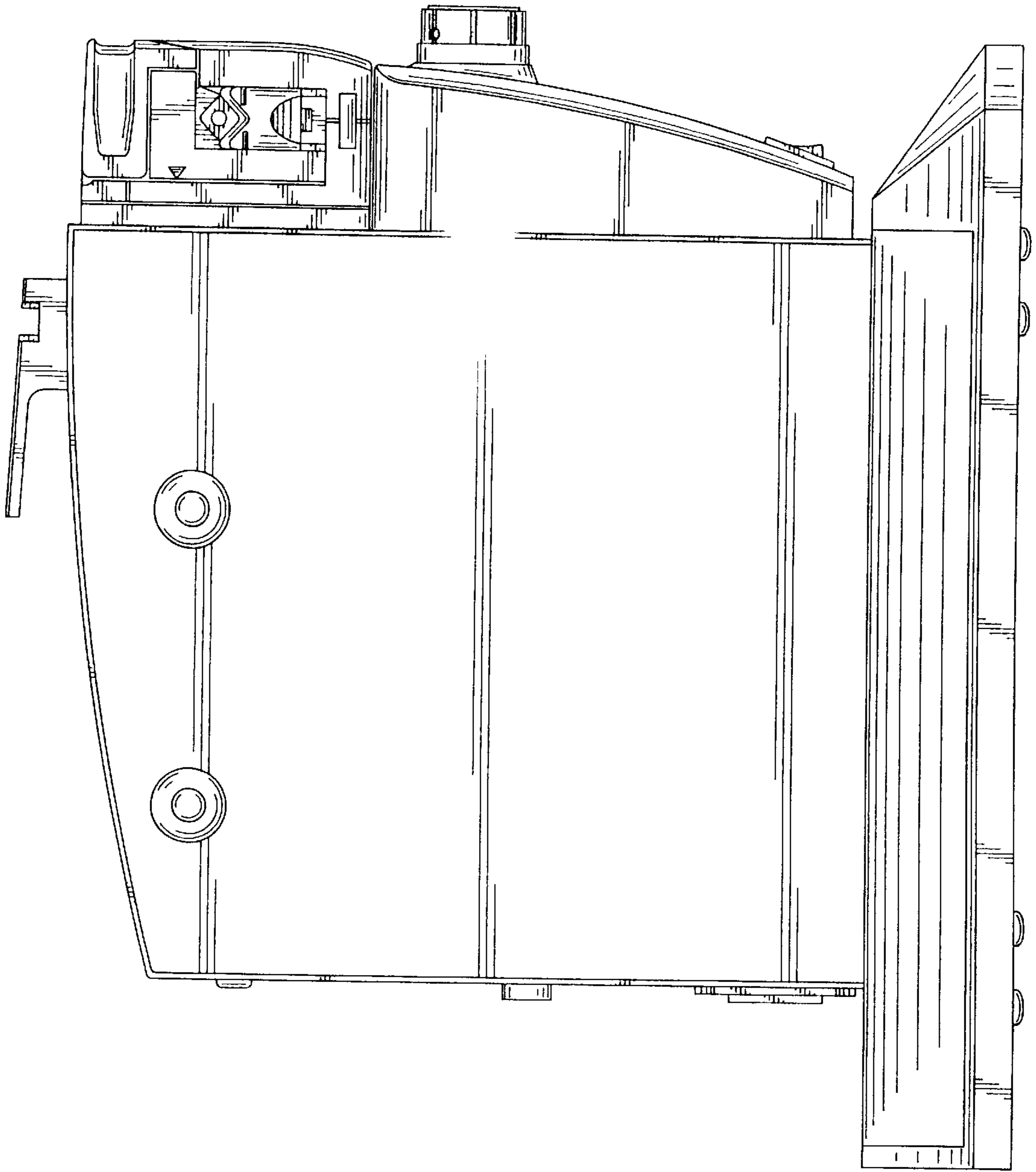


FIG. 4

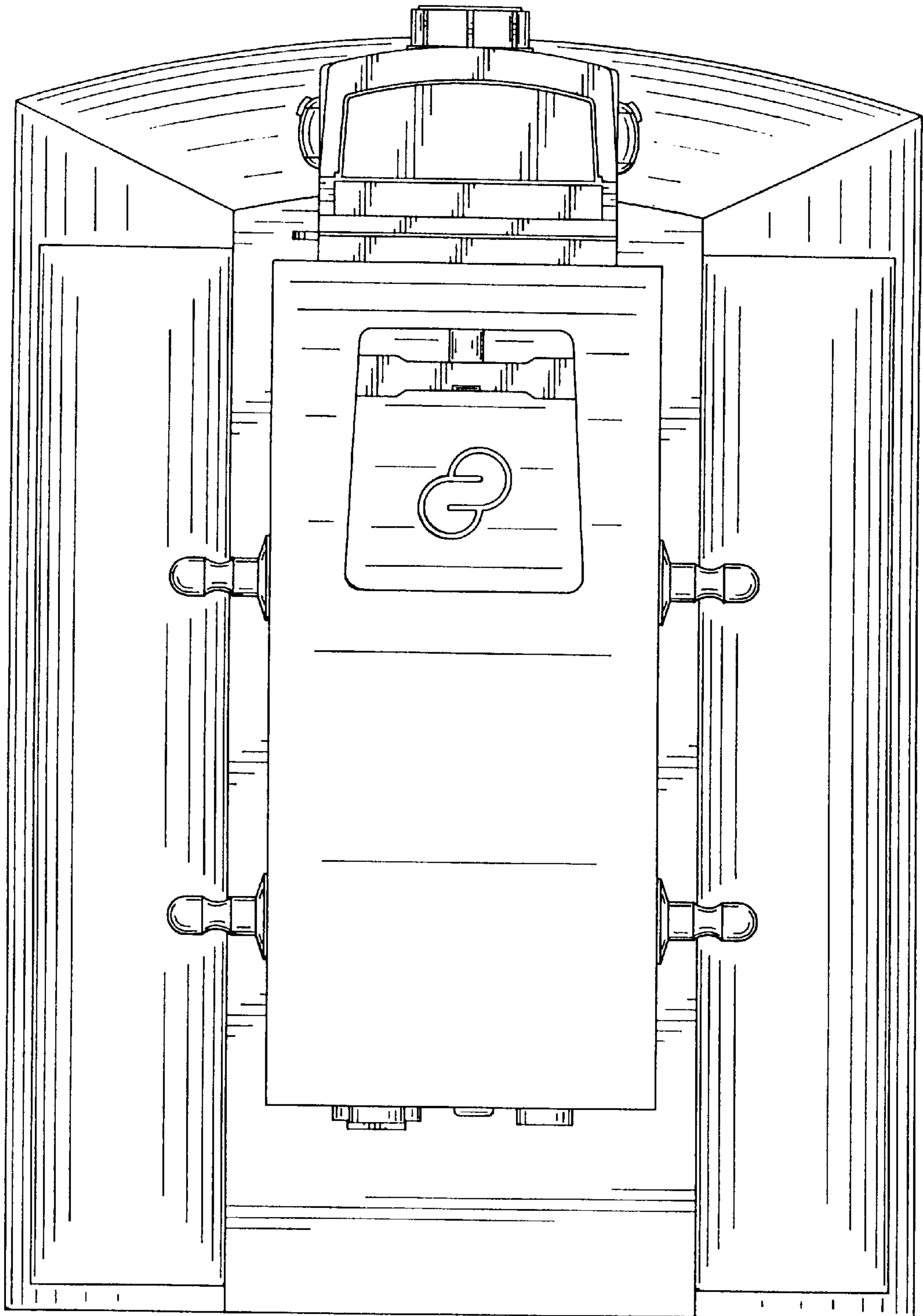


FIG. 5

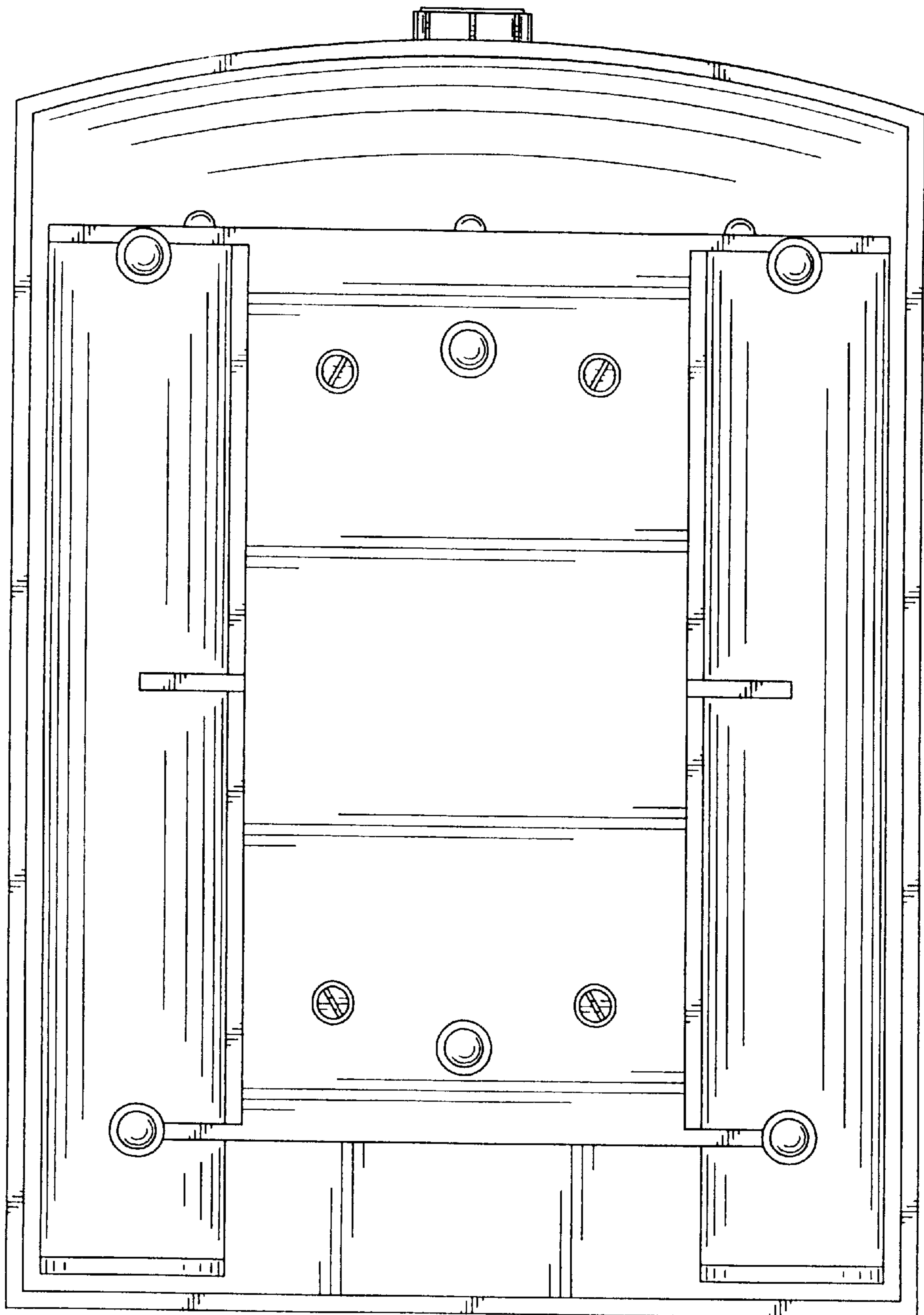


FIG. 6

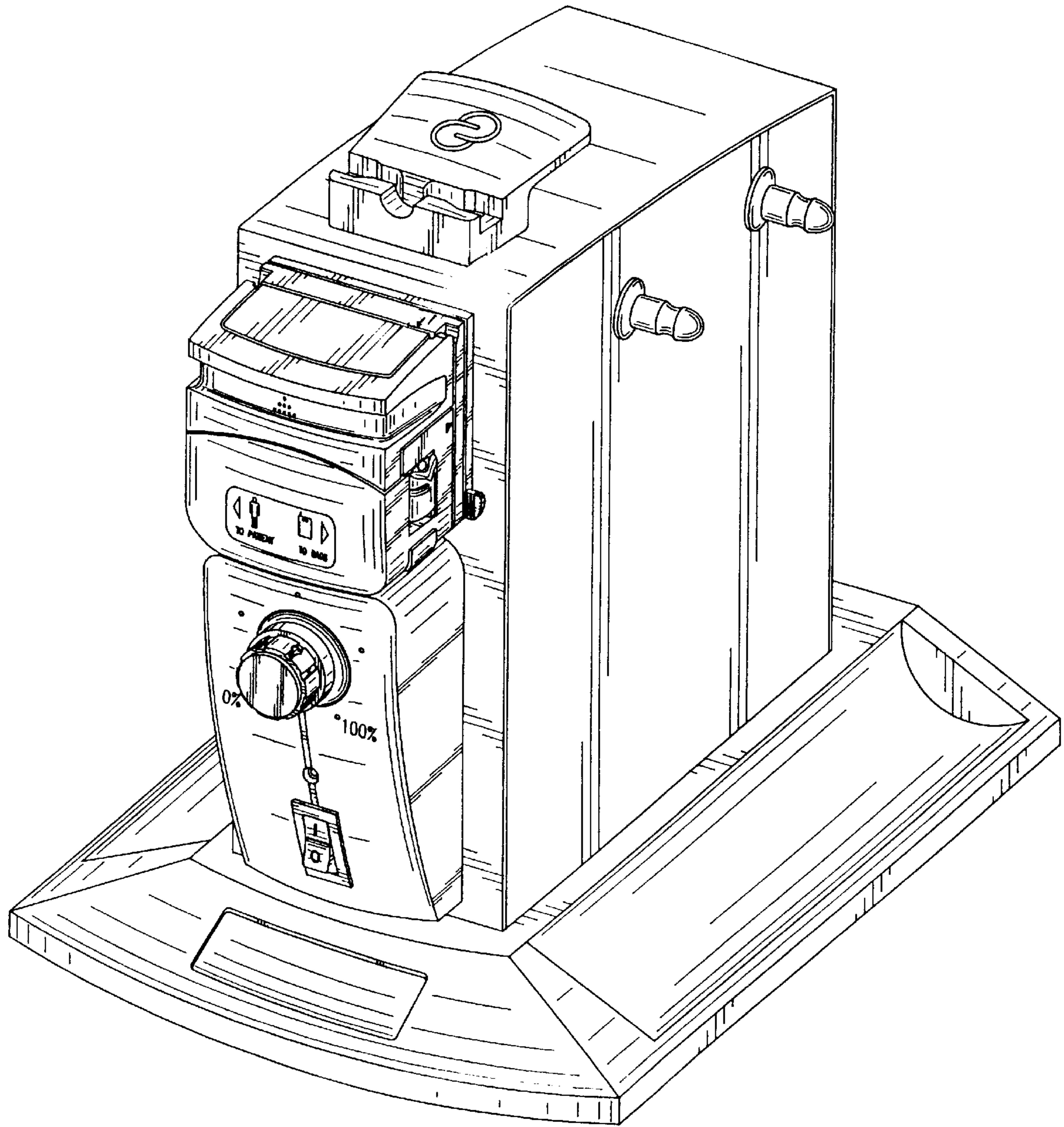


FIG. 7