



US00D420737S

United States Patent [19]
Kivlehan

[11] **Patent Number: Des. 420,737**

[45] **Date of Patent: ** Feb. 15, 2000**

[54] **COMBINED INFUSION PUMP BAG AND SYRINGE COVER**

D. 348,730 7/1994 Walker et al. D24/111
D. 354,347 1/1995 Knutte et al. D24/108
5,540,561 7/1996 Johnson 604/153 X

[76] Inventor: **Todd B. Kivlehan**, 33 Tanwood La.,
Vernon Hills, Ill. 60061

Primary Examiner—Susan J. Lucas
Assistant Examiner—Cynthia E Ramirez
Attorney, Agent, or Firm—Francis C. Kowalik

[**] Term: **14 Years**

[57] **CLAIM**

[21] Appl. No.: **29/086,317**

I claim the ornamental design for a combined infusion pump bag and syringe cover, as shown and described.

[22] Filed: **Apr. 9, 1998**

[51] **LOC (7) Cl.** **24-04**

DESCRIPTION

[52] **U.S. Cl.** **D24/111**

[58] **Field of Search** D24/111, 112,
D24/113, 129, 108; 604/80, 131, 132, 251,
246, 250, 151, 153; 417/234, 474; 121/DIG. 12,
DIG. 13

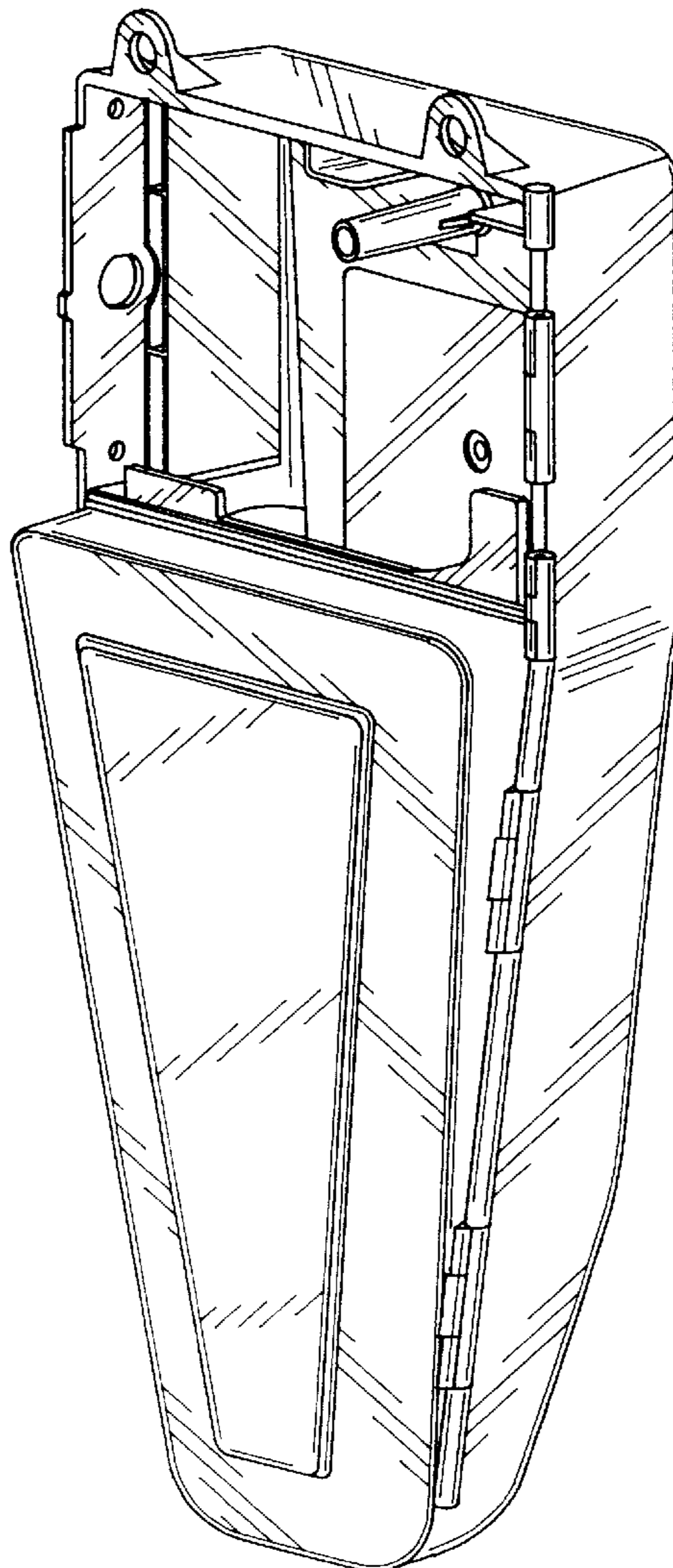
FIG. 1 is a perspective view of said combined infusion pump bag and syringe cover displaying my design;
FIG. 2 is a front view thereof;
FIG. 3 is a rear view thereof;
FIG. 4 is a right side view thereof;
FIG. 5 is a left side view thereof;
FIG. 6 is a top view thereof; and,
FIG. 7 is a bottom view thereof.

[56] **References Cited**

U.S. PATENT DOCUMENTS

D. 325,779 4/1992 Lash D24/108
D. 333,518 2/1993 Gillette D24/129 X

1 Claim, 5 Drawing Sheets



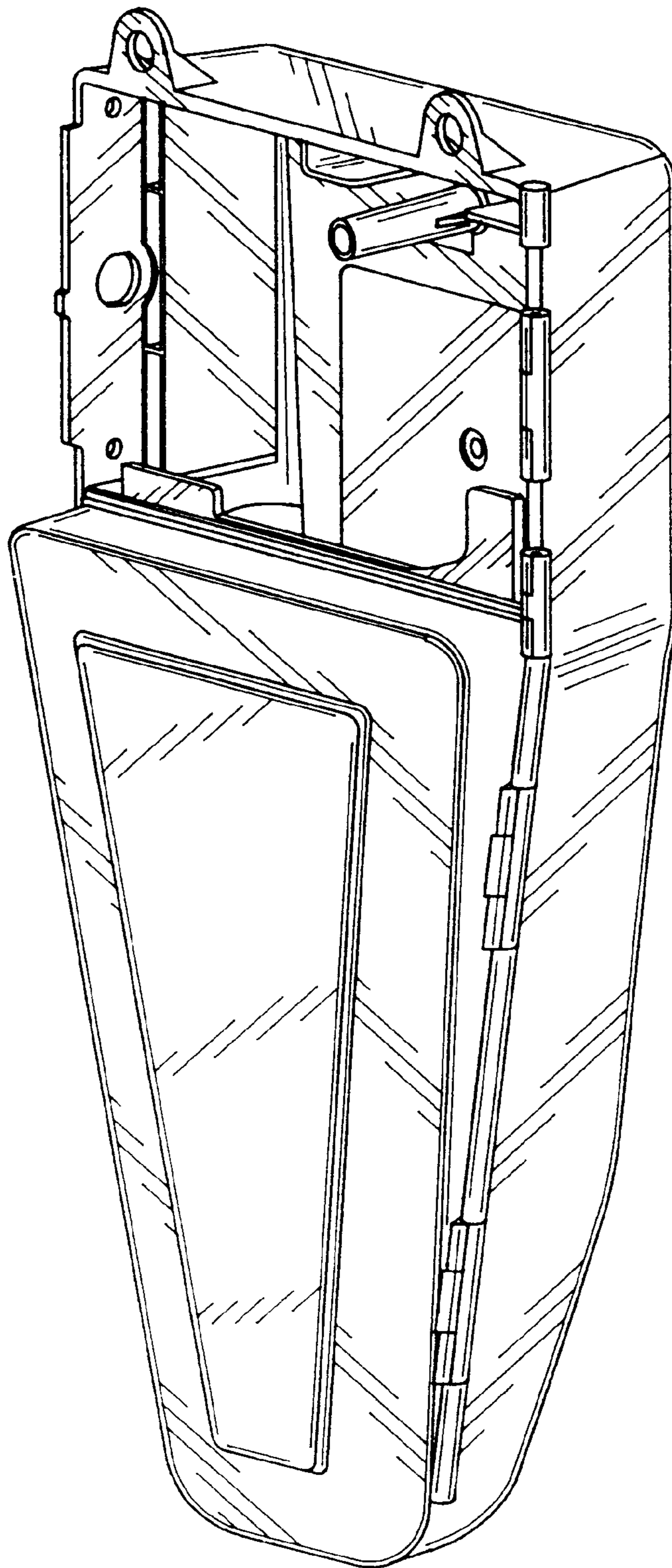


FIG. 1

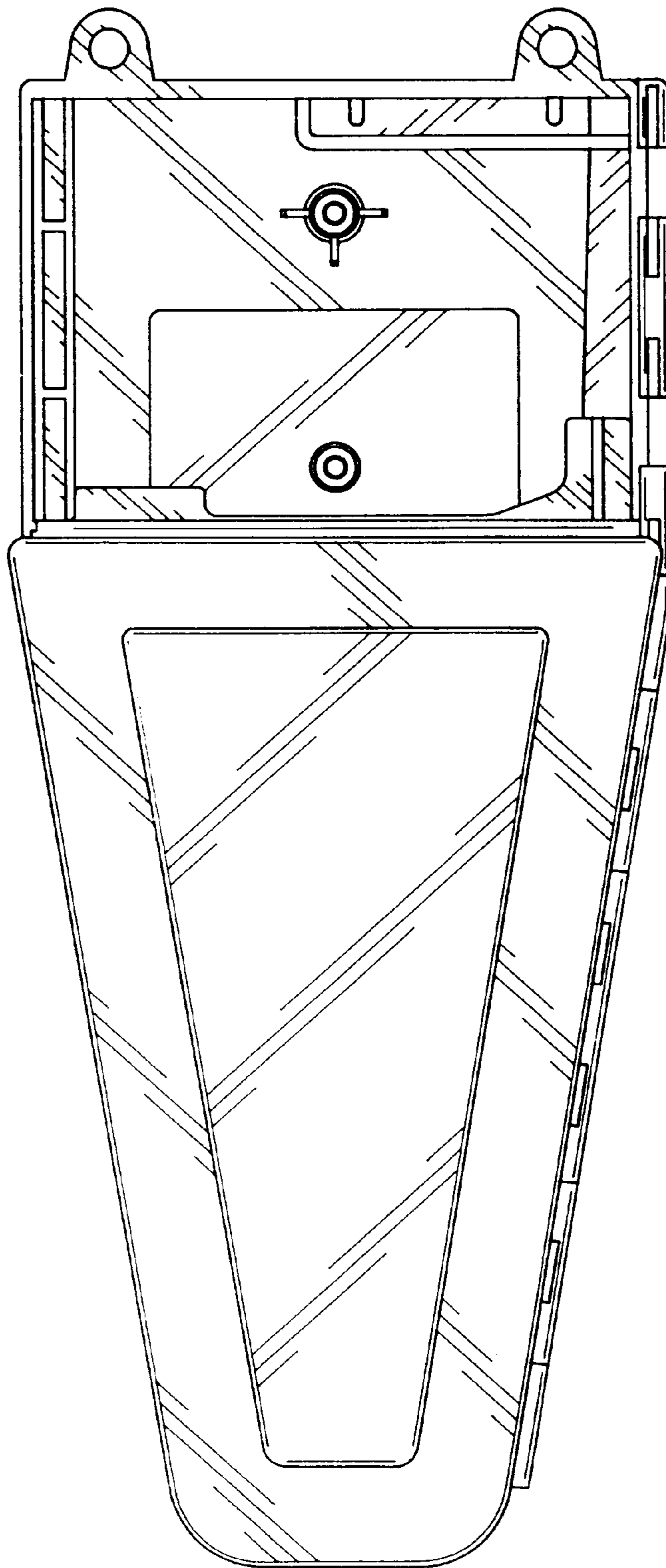


FIG. 2

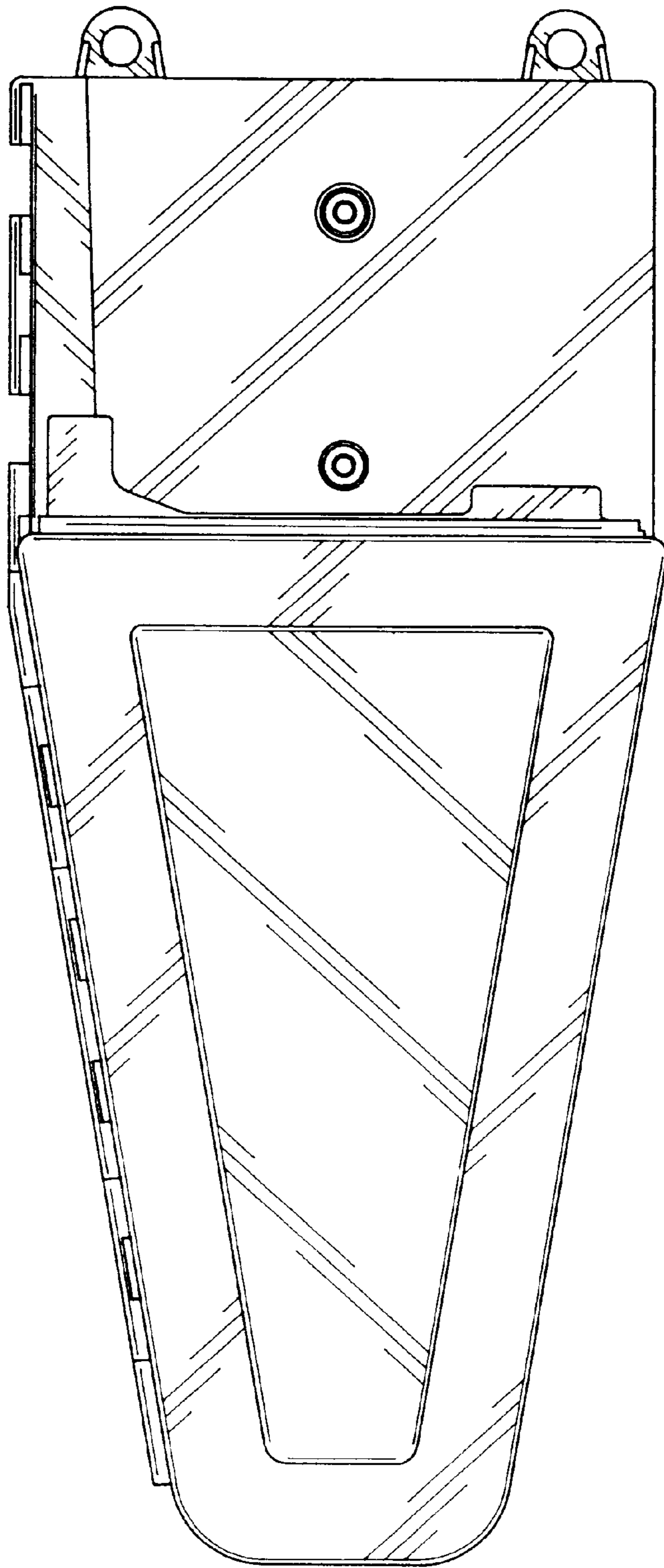


FIG. 3

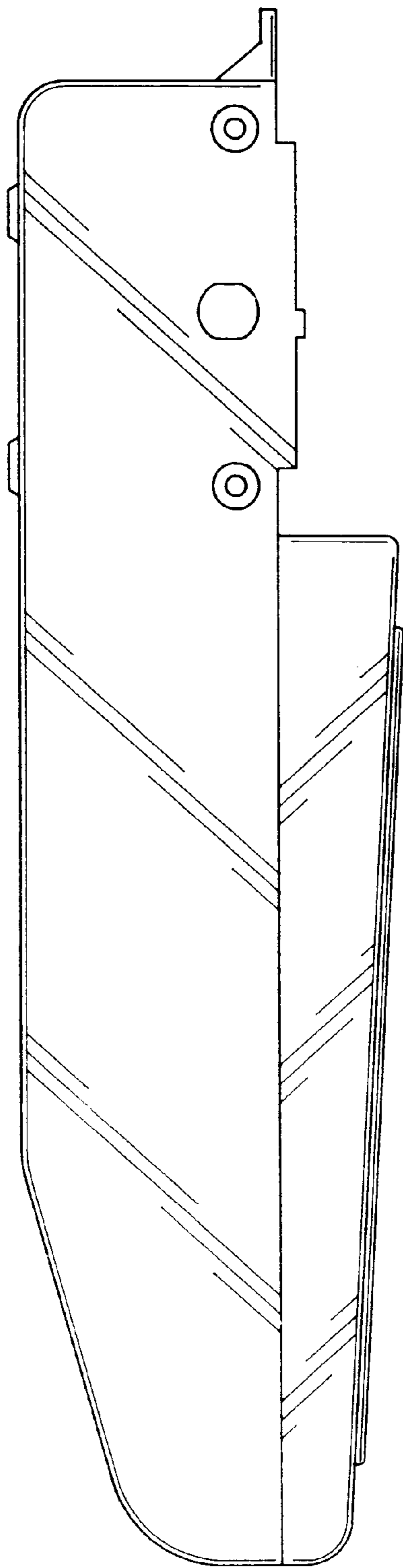


FIG. 4

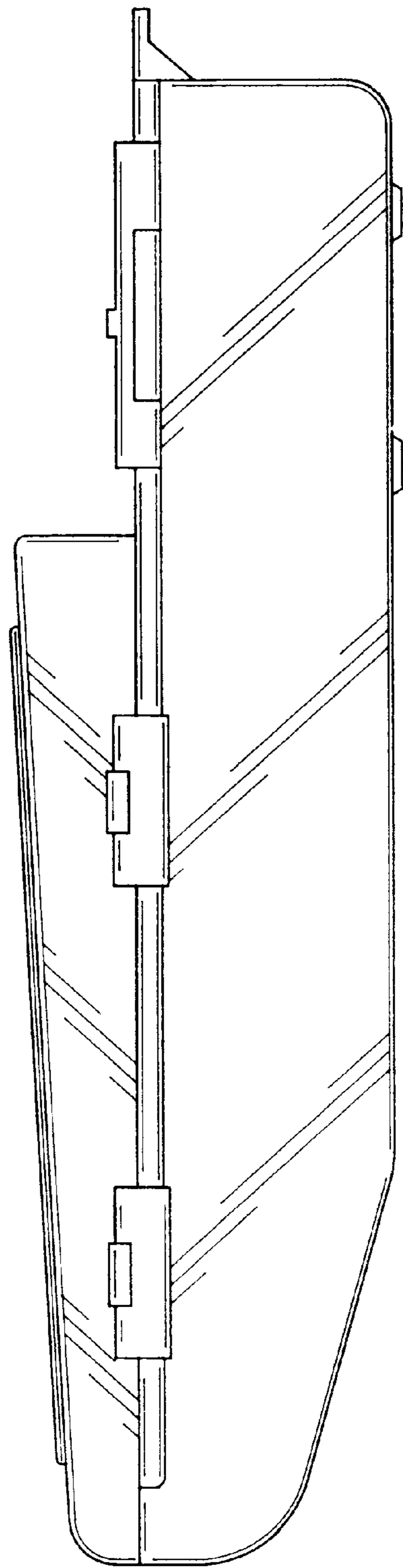


FIG. 5

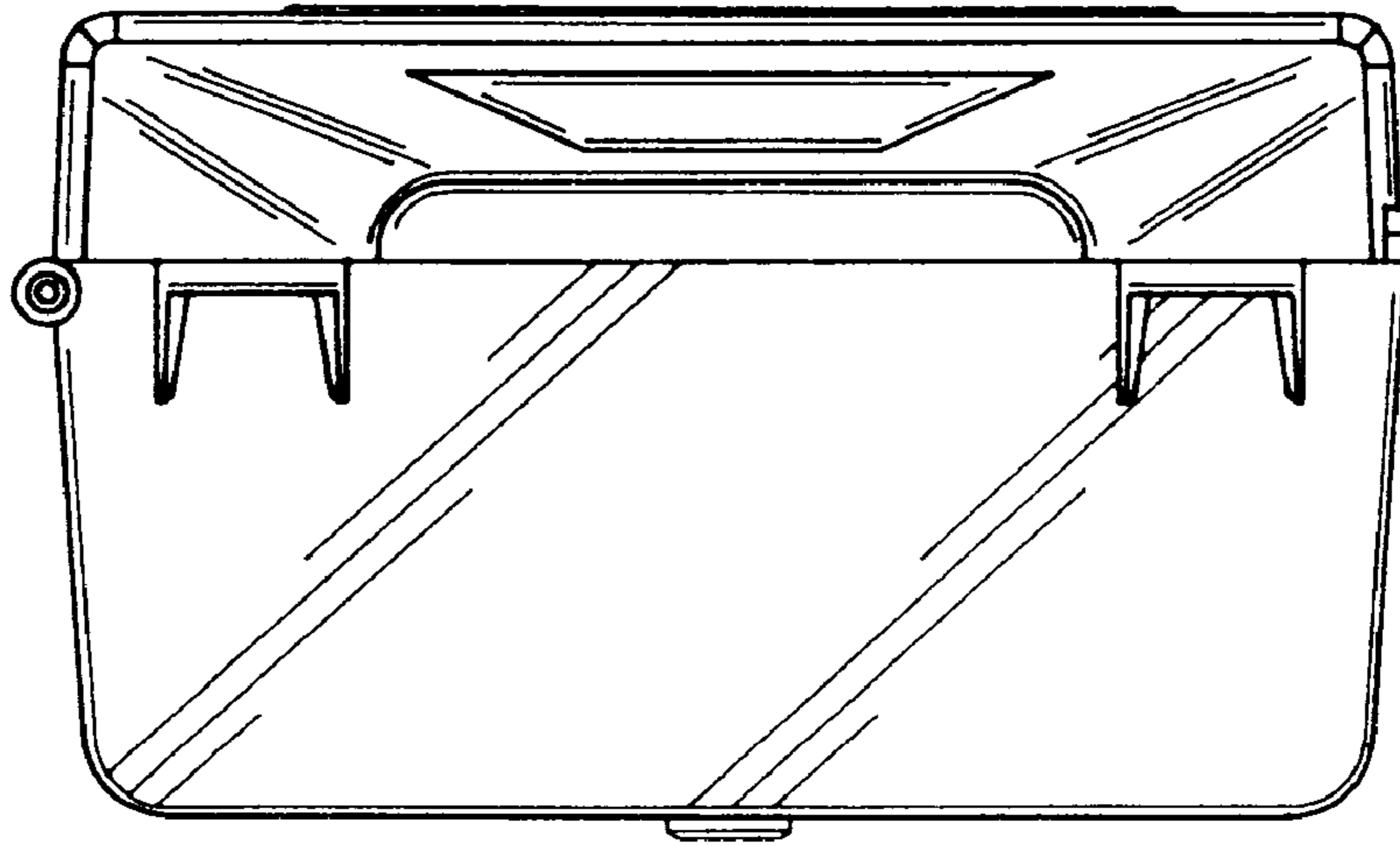


FIG. 6

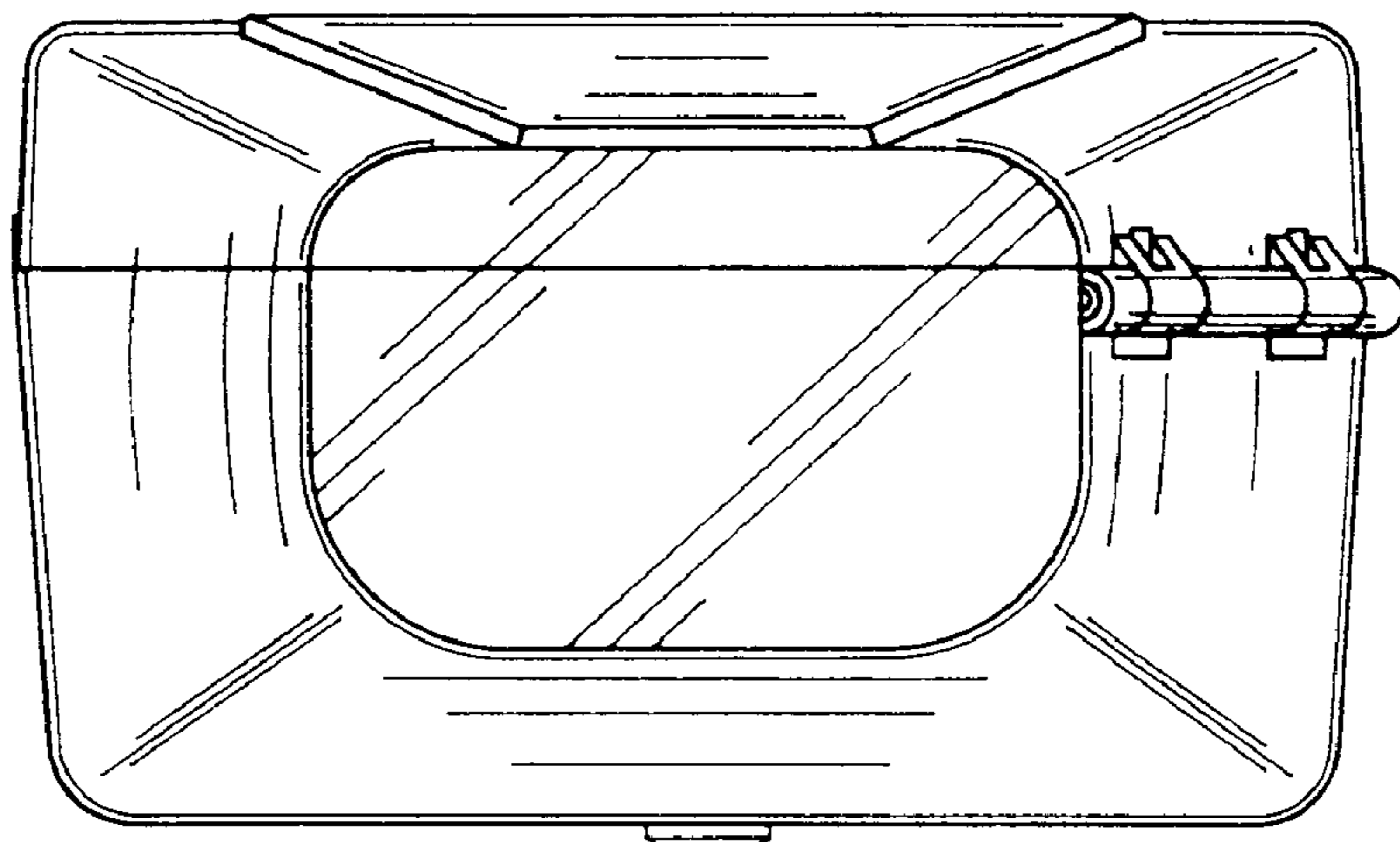


FIG. 7