



US00D420736S

# United States Patent [19] Moulin

[11] **Patent Number: Des. 420,736**

[45] **Date of Patent: \*\* Feb. 15, 2000**

[54] **ATTACHMENT FOR AN INHALER**

3,991,761 11/1976 Cocozza ..... 128/266  
5,060,643 10/1991 Rich et al. .... 128/200.14 X  
5,522,378 6/1996 Ritson et al. .... 128/200.14

[75] Inventor: **Claude Moulin**, Rheinfelden,  
Switzerland

[73] Assignee: **Novartis AG**, Basel, Switzerland

[\*\*] Term: **14 Years**

*Primary Examiner*—Louis S. Zarfes  
*Assistant Examiner*—I Simmons  
*Attorney, Agent, or Firm*—William K. Wissing; Stephen G. Kalinchak

[21] Appl. No.: **29/080,997**

[57] **CLAIM**

[22] Filed: **Dec. 22, 1997**

I claim the ornamental design for an attachment for an inhaler, as shown and described.

[30] **Foreign Application Priority Data**

**DESCRIPTION**

Jun. 30, 1997 [GB] United Kingdom ..... 2067040

[51] **LOC (7) Cl.** ..... **29-02**

FIG. 1 perspective view  
FIG. 2 front view, wherein the rear view of FIG. 2 is not part of the claimed invention.

[52] **U.S. Cl.** ..... **D24/110**

[58] **Field of Search** ..... D24/110, 110.5,  
D24/110.4; 128/203.12, 200.14, 200.23,  
203.15, 200.12

FIG. 3 side view of FIG. 2; and,  
FIG. 4 plan view of FIG. 2.

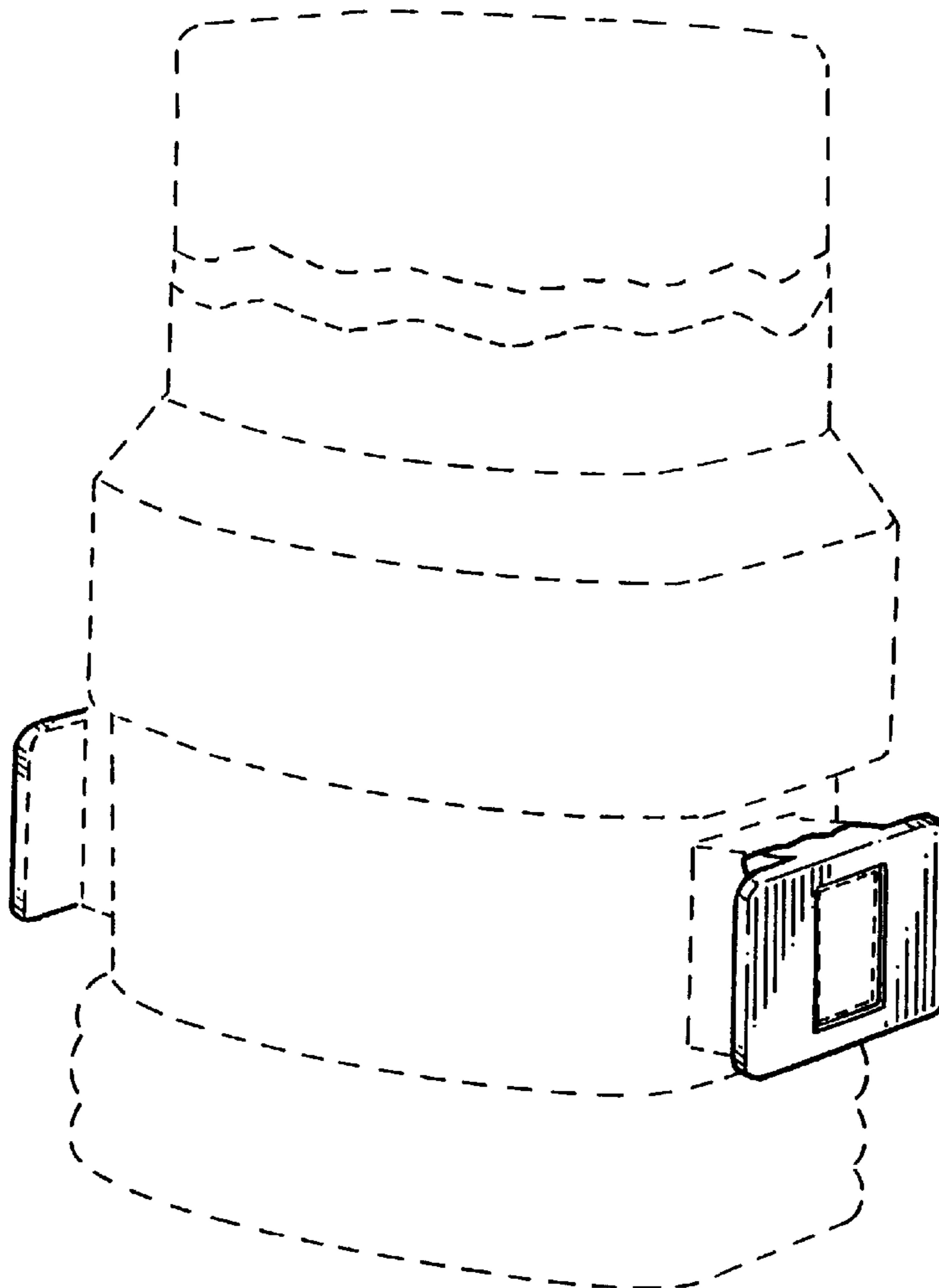
[56] **References Cited**

The broken line showing of the inhaler and the rear of portion of the attachment are for illustrative purposes only and forms no part of the claimed design.

**U.S. PATENT DOCUMENTS**

D. 397,435 8/1998 Naumann ..... D24/110

**1 Claim, 1 Drawing Sheet**



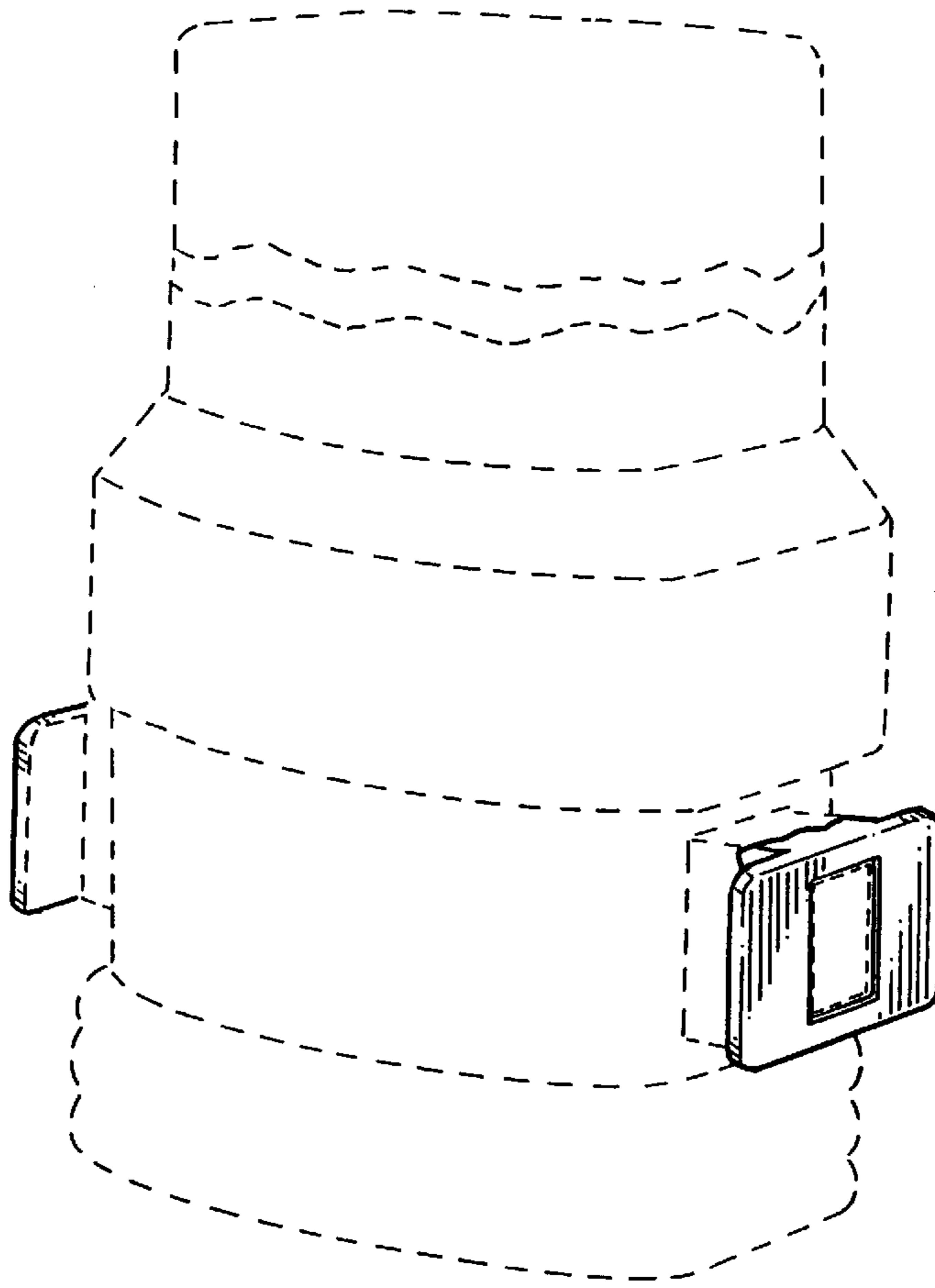


FIG. 1

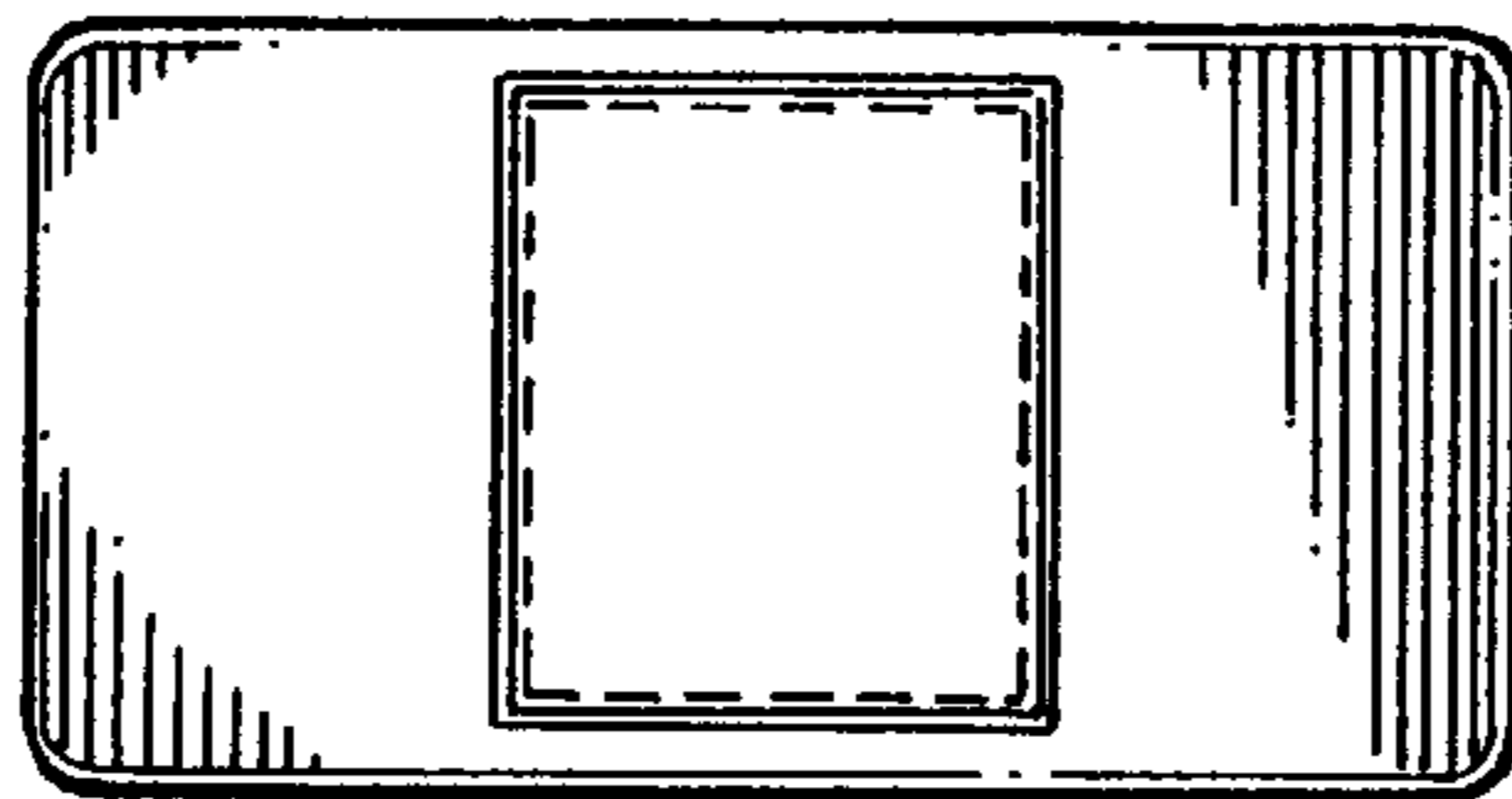


FIG. 2



FIG. 3



FIG. 4