



US00D420734S

United States Patent [19] Thakur

[11] Patent Number: Des. 420,734

[45] Date of Patent: ** Feb. 15, 2000

[54] UPRIGHT FAN

[76] Inventor: Doulat Kumar Thakur, 8Fl., No. 25,
Sec. 1, Nanking E. Rd., Taipei, Taiwan

[**] Term: 14 Years

[21] Appl. No.: 29/103,798

[22] Filed: Apr. 22, 1999

[51] LOC (7) Cl. 23-04

[52] U.S. Cl. D23/378; D23/381; D23/382

[58] Field of Search D23/378, 381,
D23/382, 370, 332, 412, 328, 411, 335,
336; 416/247 R, 246

[56] **References Cited**

U.S. PATENT DOCUMENTS

D. 316,599 4/1991 Wang D23/378

D. 355,483 2/1995 Litvan et al. D23/378

Primary Examiner—Lisa Lichtenstein
Attorney, Agent, or Firm—Jones, Tullar & Cooper, PC

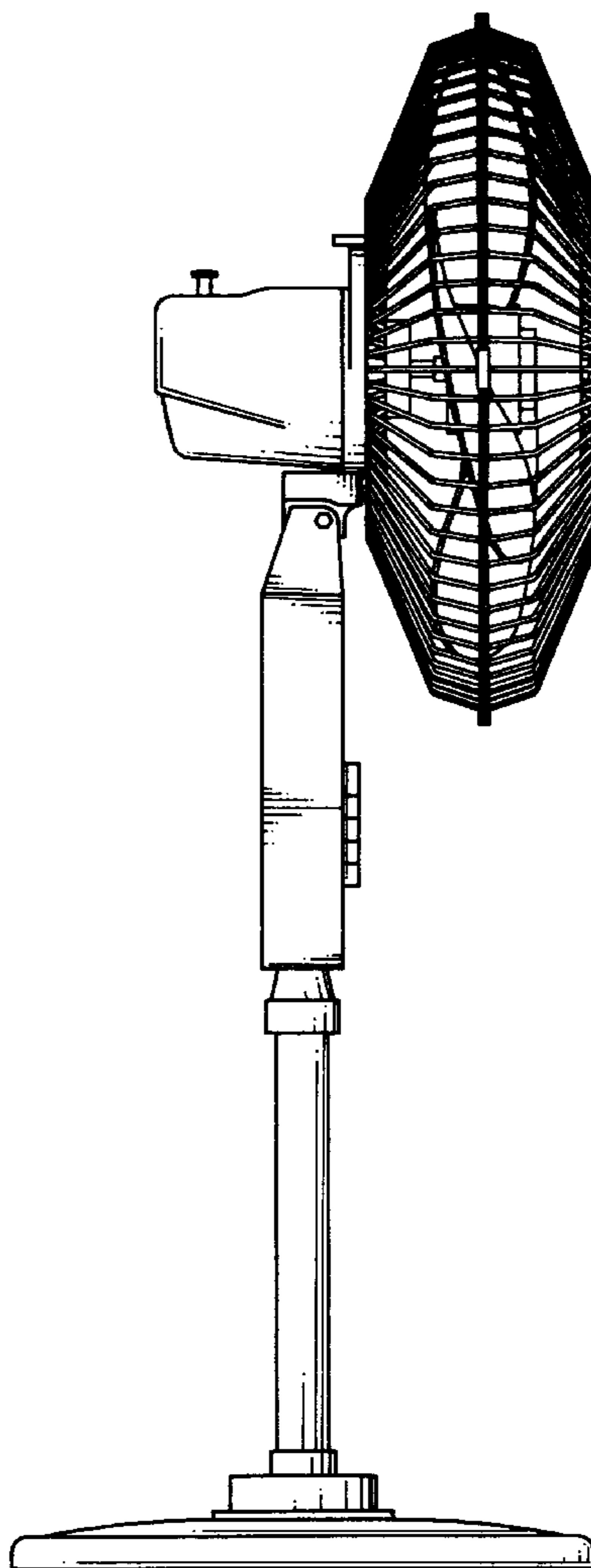
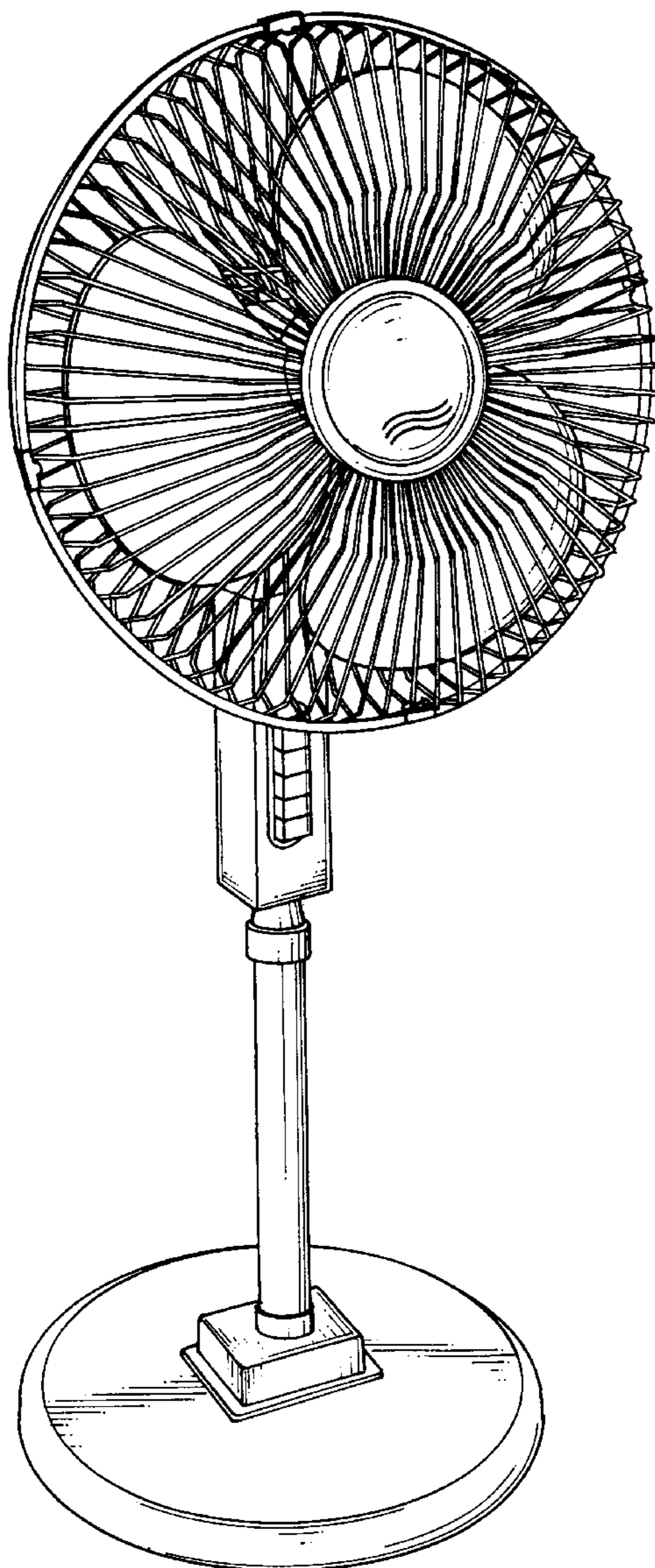
[57] **CLAIM**

The ornamental design for an upright fan, as shown.

DESCRIPTION

FIG. 1 is a perspective view of an upright fan, showing my new design;
FIG. 2 is a front elevational view thereof;
FIG. 3 is a rear elevational view thereof;
FIG. 4 is a left side elevational view thereof;
FIG. 5 is a right side elevational view thereof;
FIG. 6 is top plan view thereof; and,
FIG. 7 is a bottom plan view thereof.

1 Claim, 6 Drawing Sheets



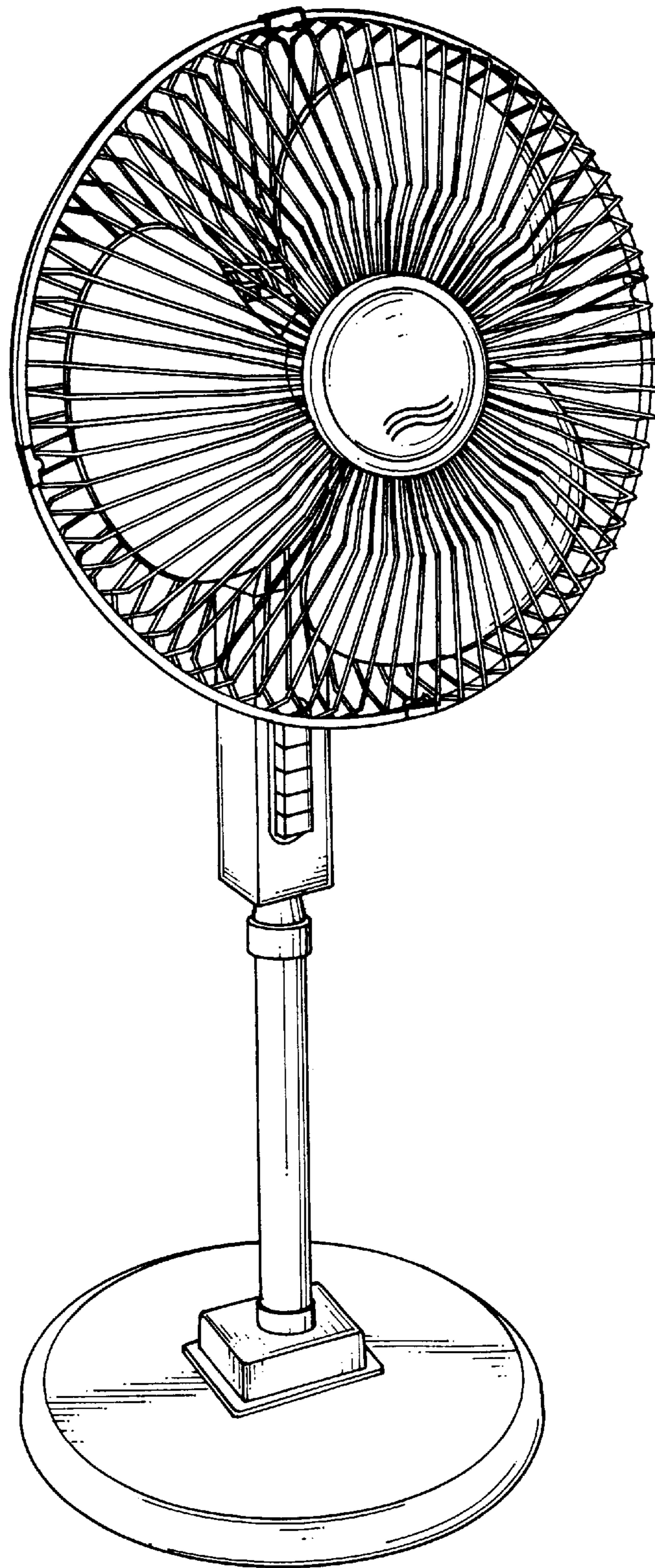


FIG. 1

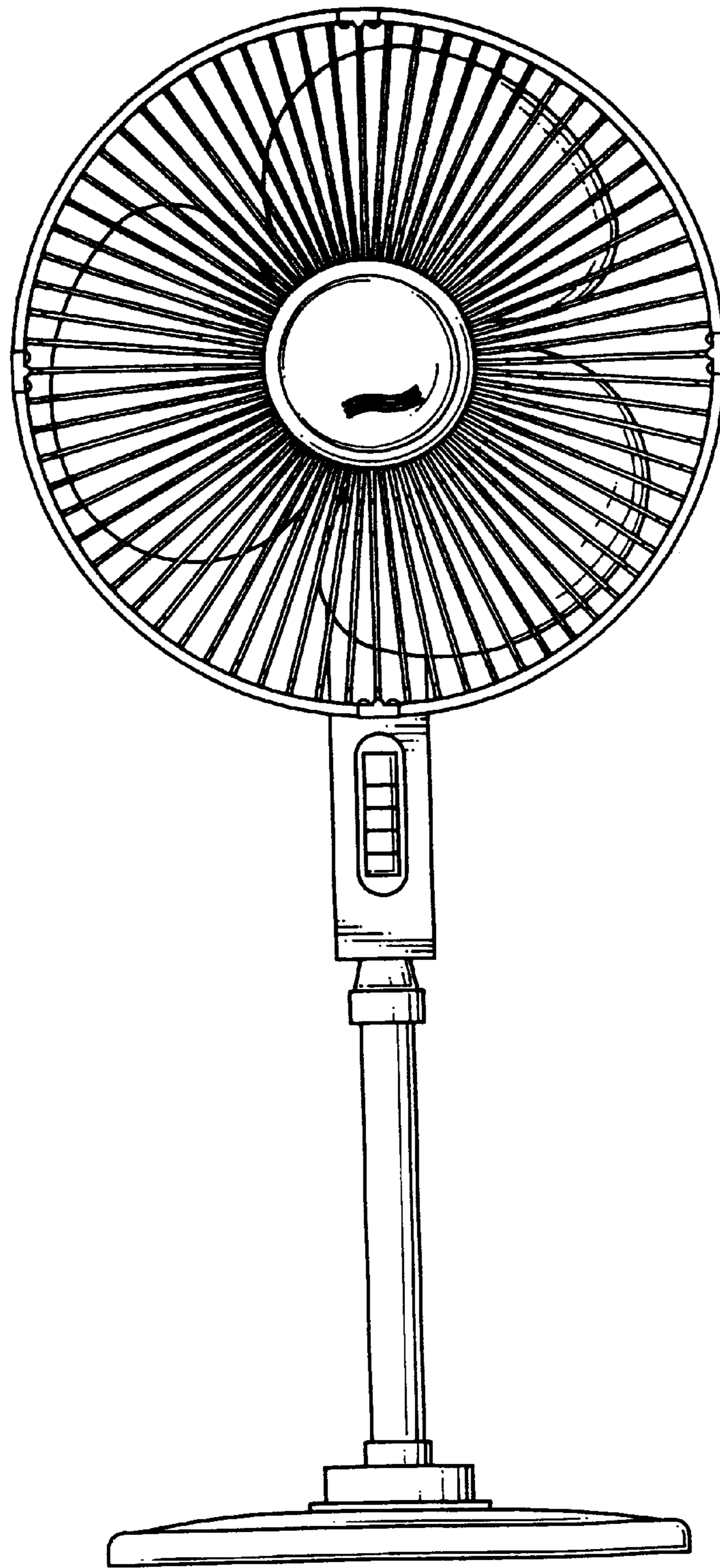


FIG. 2

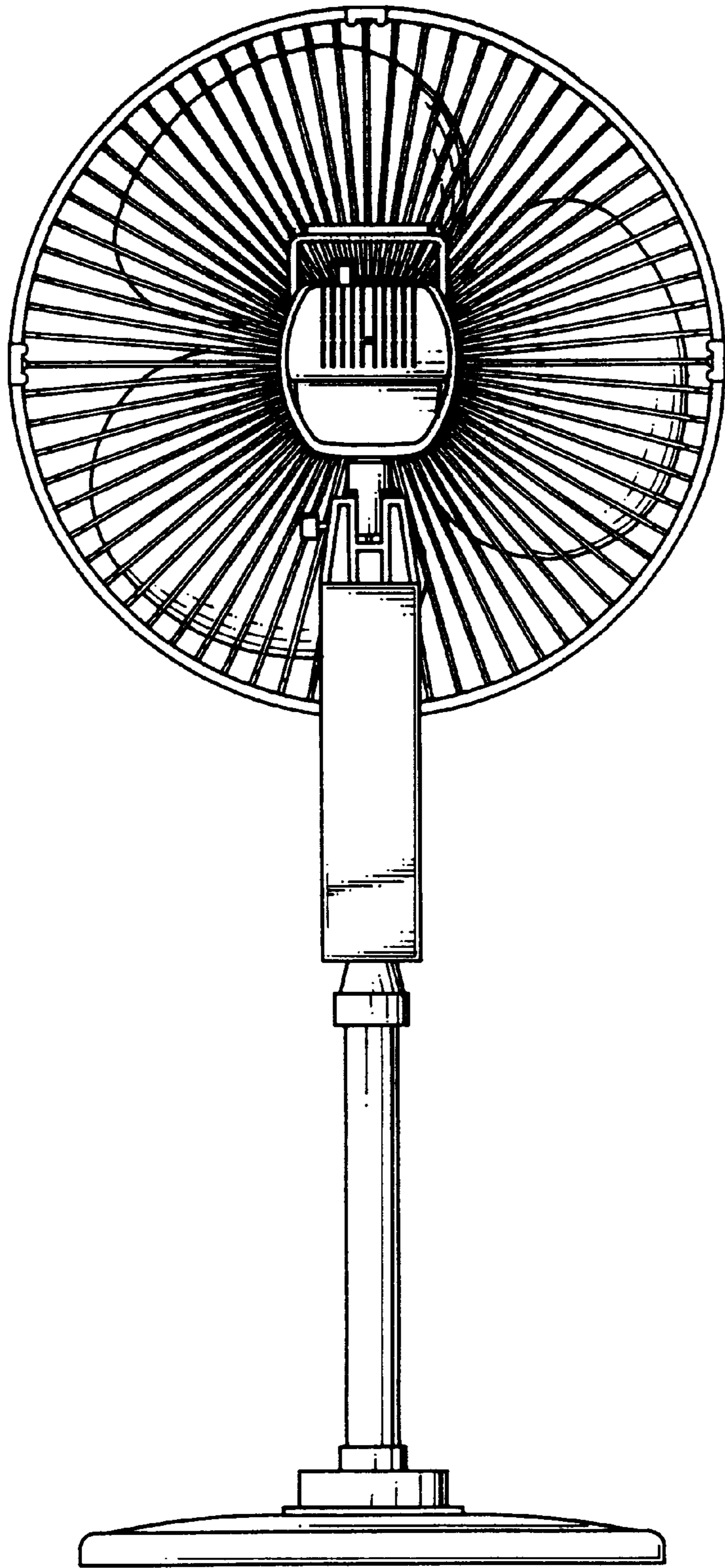


FIG. 3

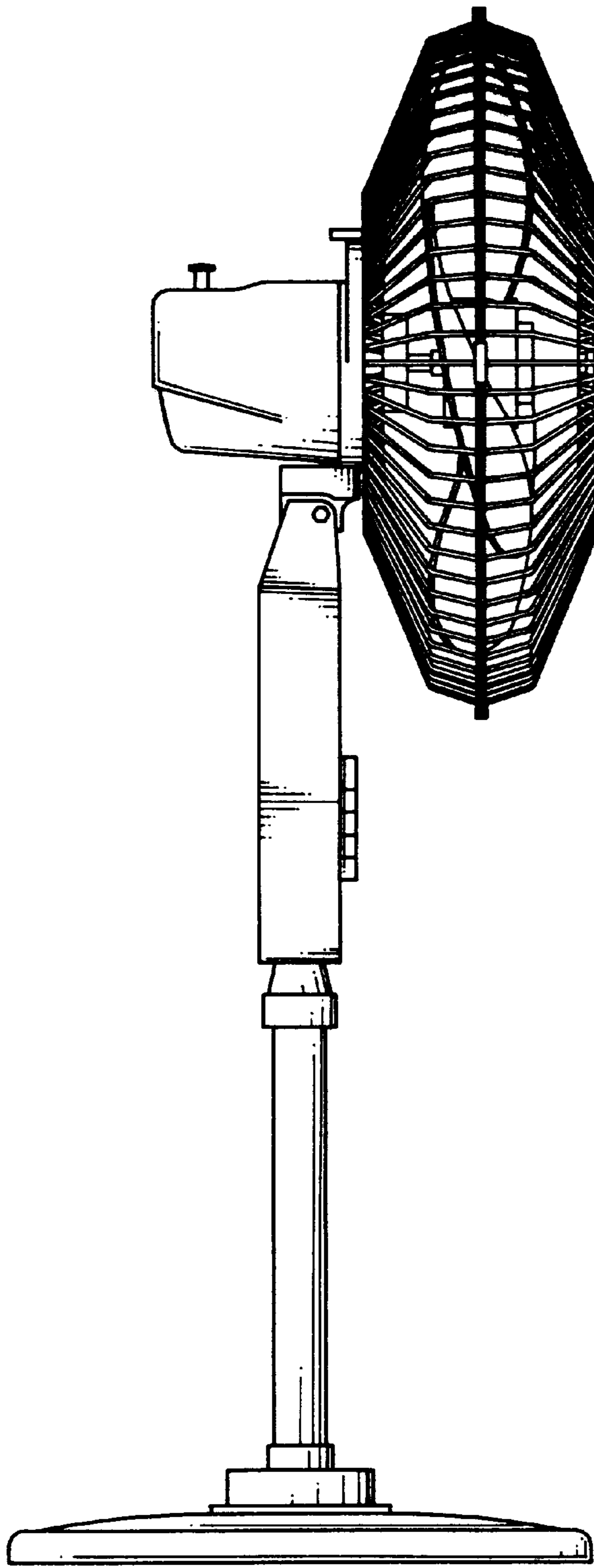


FIG. 4

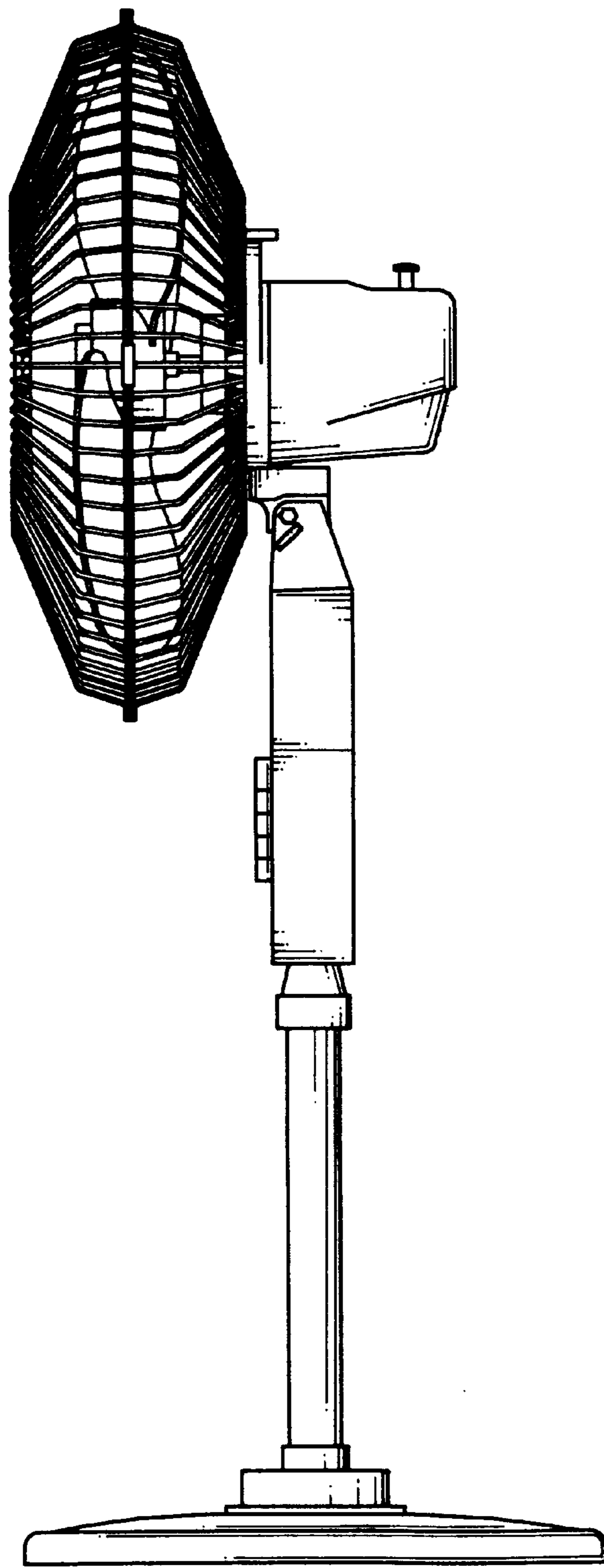


FIG. 5

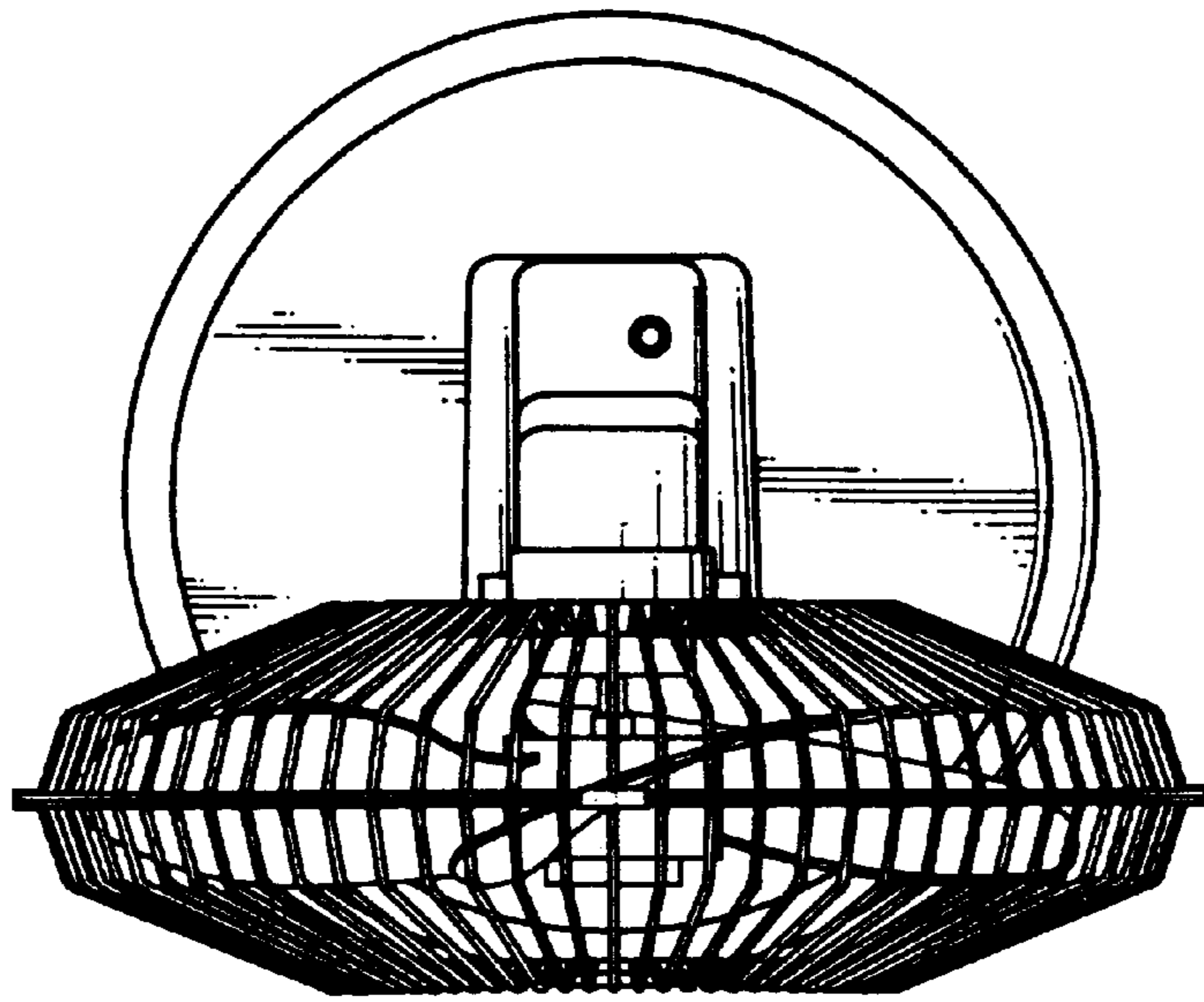


FIG. 6

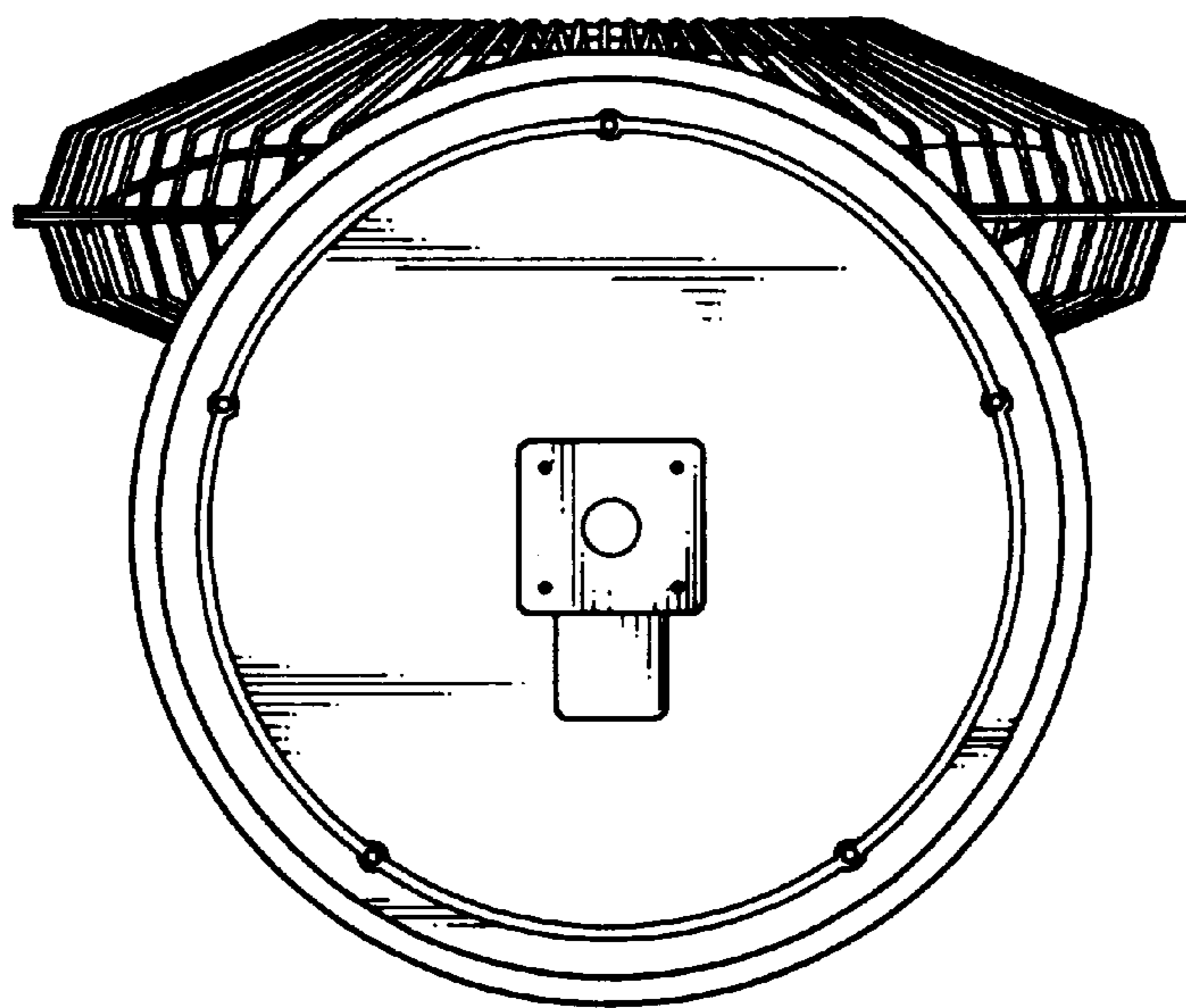


FIG. 7