



US00D420733S

**United States Patent** [19]  
**Chen**

[11] **Patent Number: Des. 420,733**

[45] **Date of Patent: \*\* Feb. 15, 2000**

[54] **COMBINED CEILING FAN AND BASEBALL SHAPED LIGHT FIXTURE**

D. 376,641 12/1996 Bucher ..... D23/377  
D. 398,980 9/1998 Pearce ..... D23/377

[76] Inventor: **Chia-Teh Chen**, 5F, No. 30, Yet Sen Rd., Taipei, Taiwan

*Primary Examiner*—Lisa Lichtenstein  
*Attorney, Agent, or Firm*—Rosenberg, Klein & Lee

[\*\*] Term: **14 Years**

[57] **CLAIM**

[21] Appl. No.: **29/098,740**

The ornamental design for a combined ceiling fan and baseball shaped light fixture, as shown.

[22] Filed: **Jan. 5, 1999**

**DESCRIPTION**

[51] **LOC (7) Cl.** ..... **23-04**

[52] **U.S. Cl.** ..... **D23/377; D23/379; D23/385; D26/59**

[58] **Field of Search** ..... D23/377, 379, D23/385, 411, 413; D26/59, 81-86, 73, 72; 416/51; 392/365; 362/96

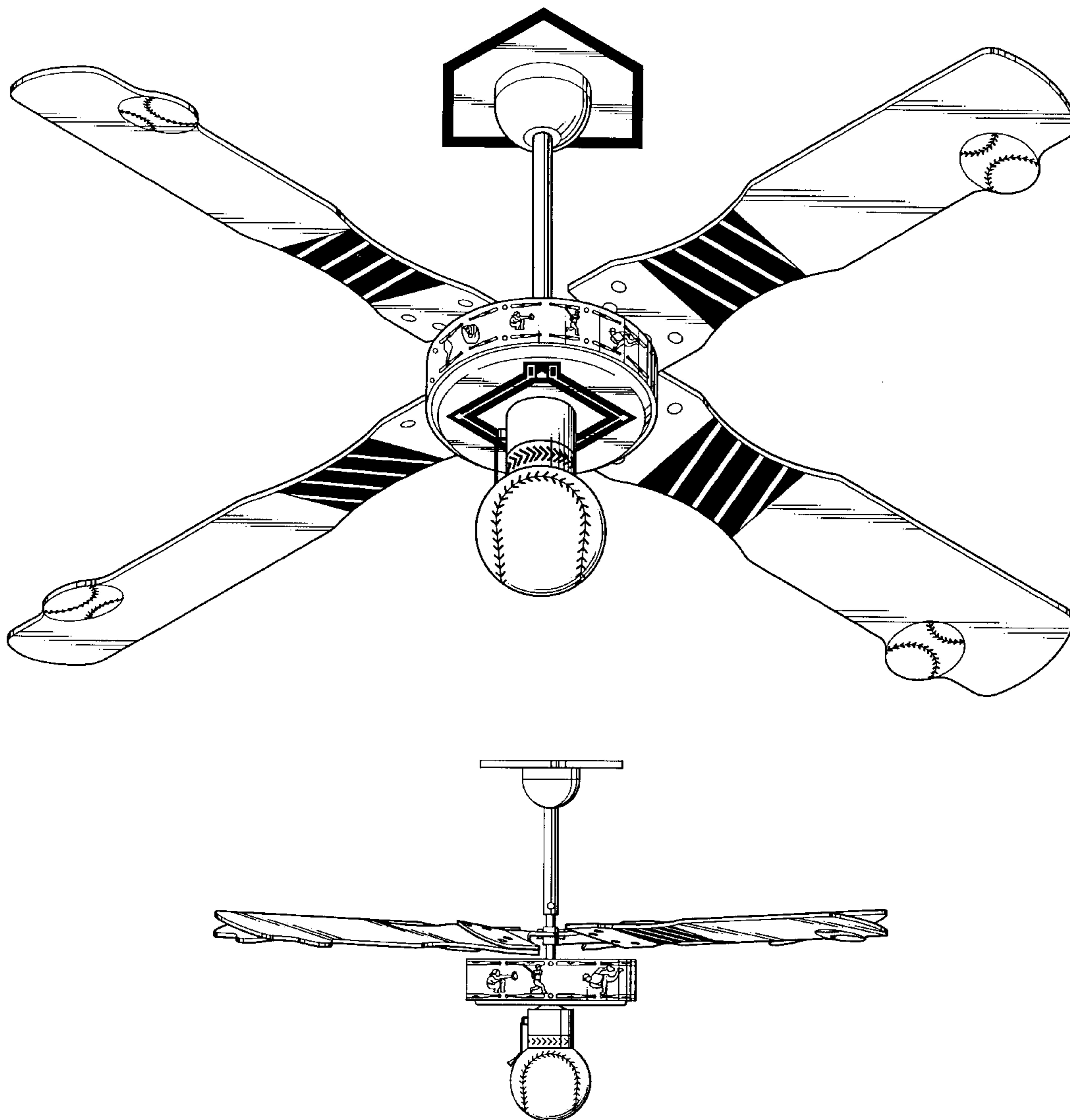
FIG. 1 is the perspective view of a combined ceiling fan and baseball shaped light fixture showing my new design; FIG. 2 is the front view thereof; FIG. 3 is the rear view thereof; FIG. 4 is the left side view thereof; FIG. 5 is the right side view thereof; FIG. 6 is the top view thereof; and, FIG. 7 is the bottom view thereof.

[56] **References Cited**

**U.S. PATENT DOCUMENTS**

D. 373,185 8/1996 Tseng ..... D23/377

**1 Claim, 7 Drawing Sheets**



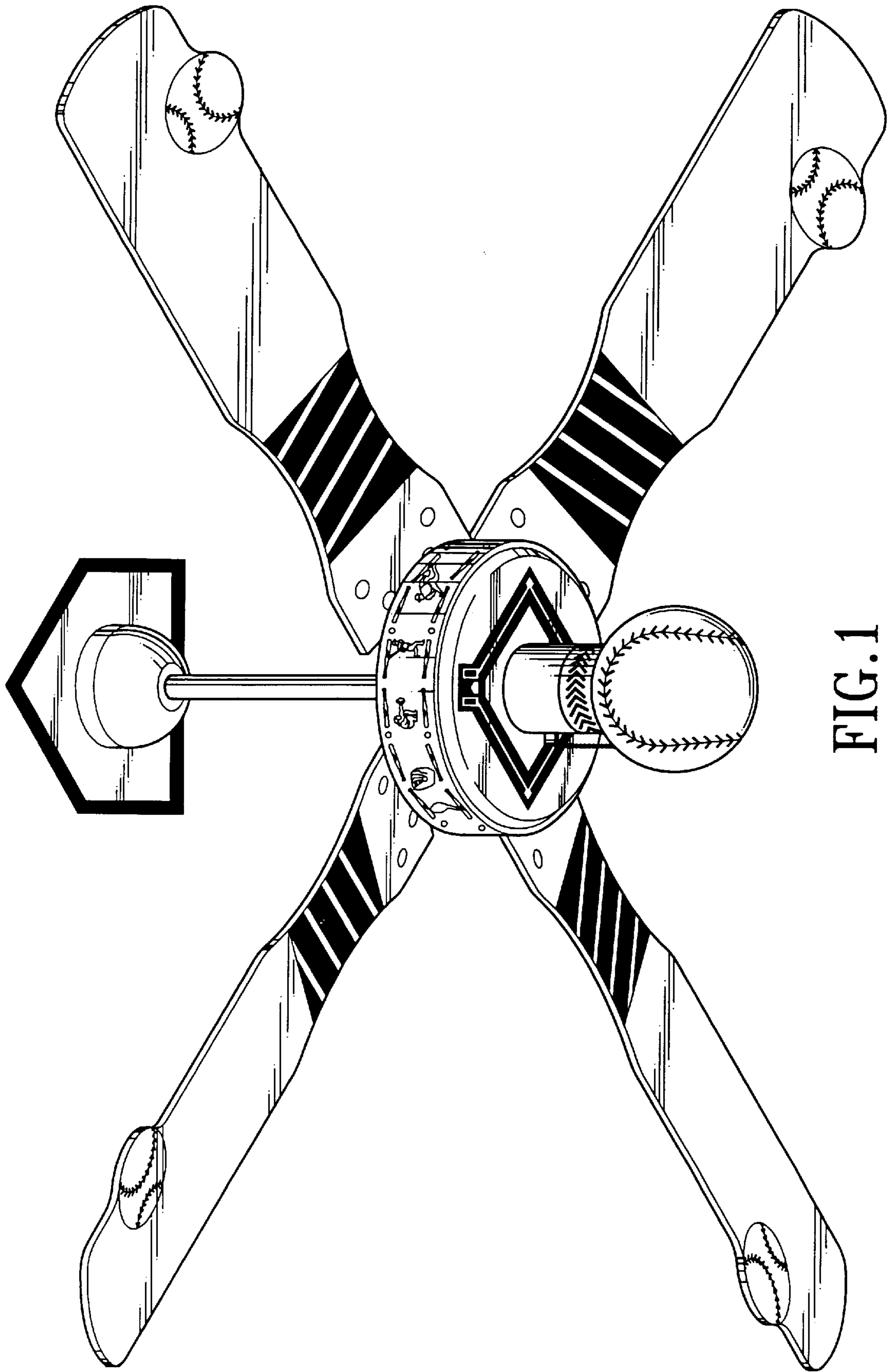


FIG. 1

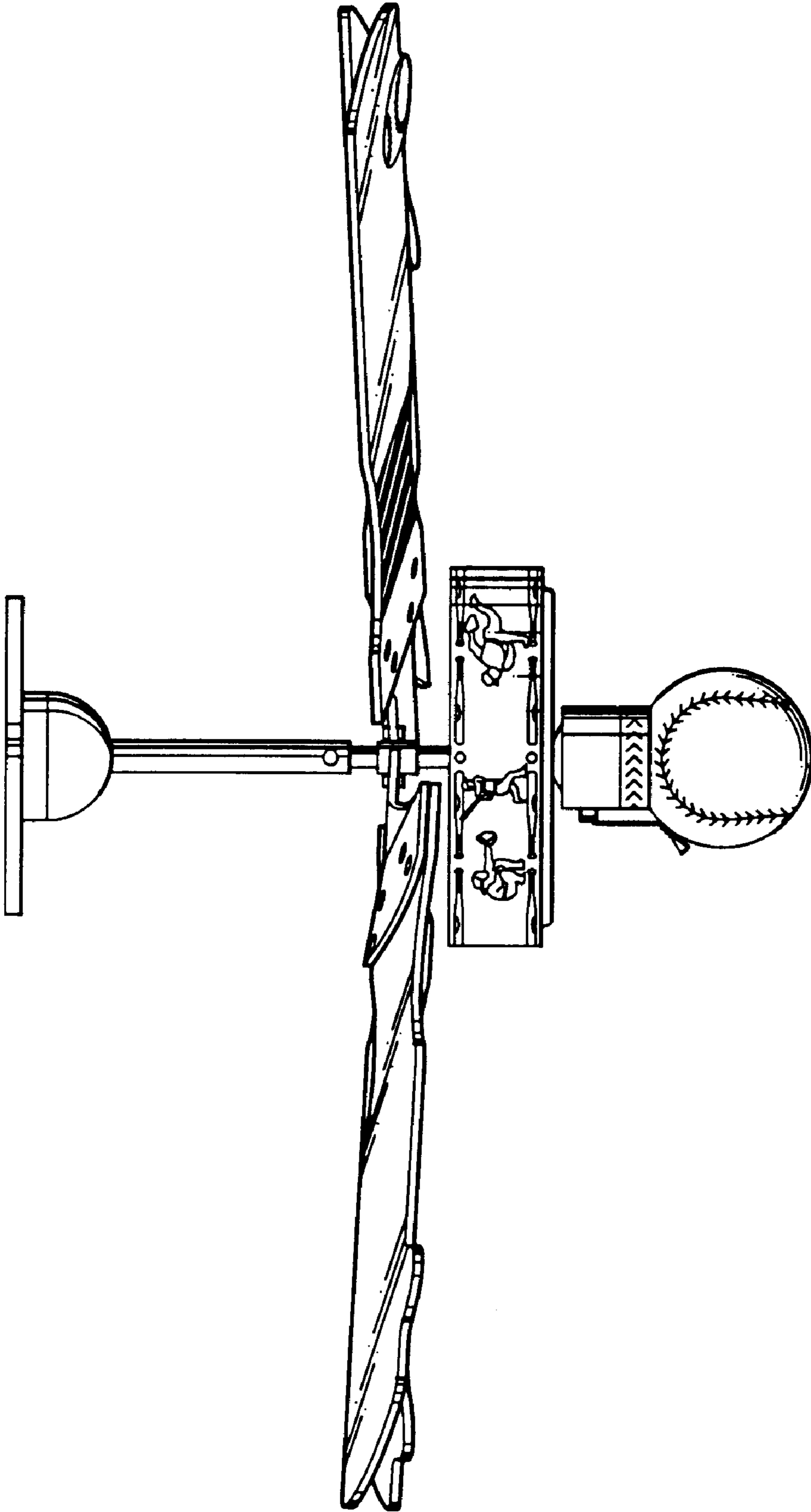


FIG. 2

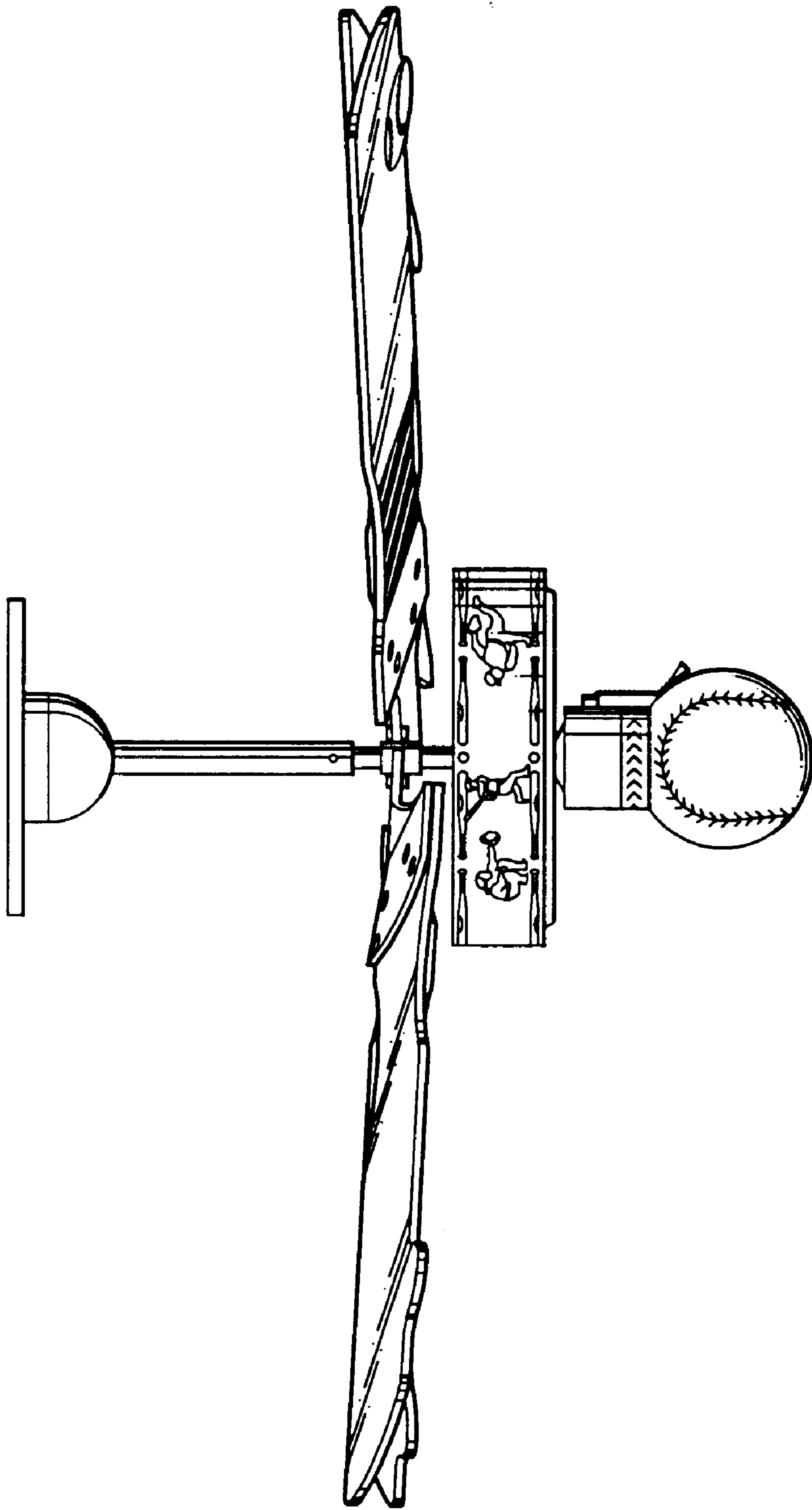


FIG. 3

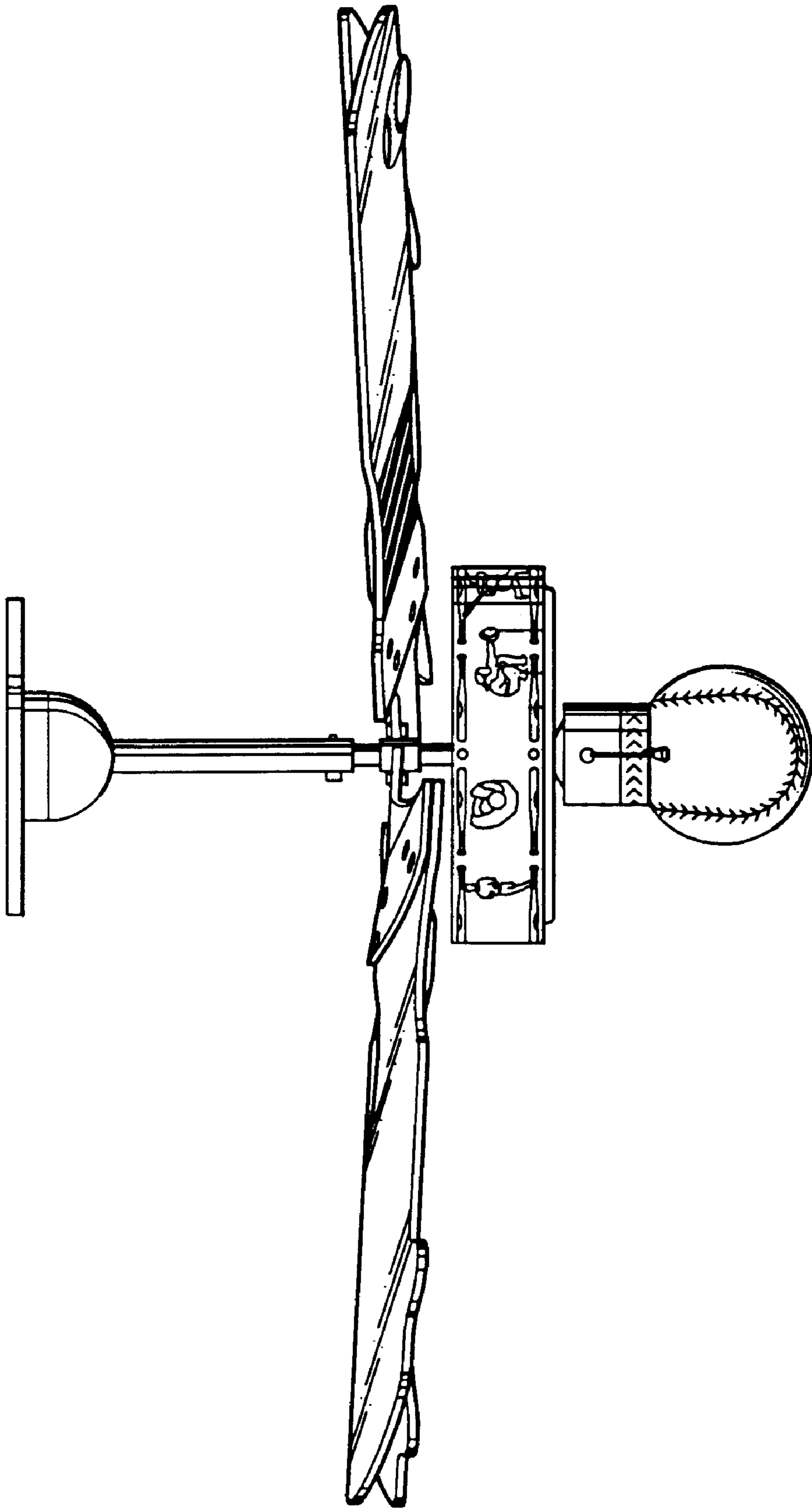


FIG. 4

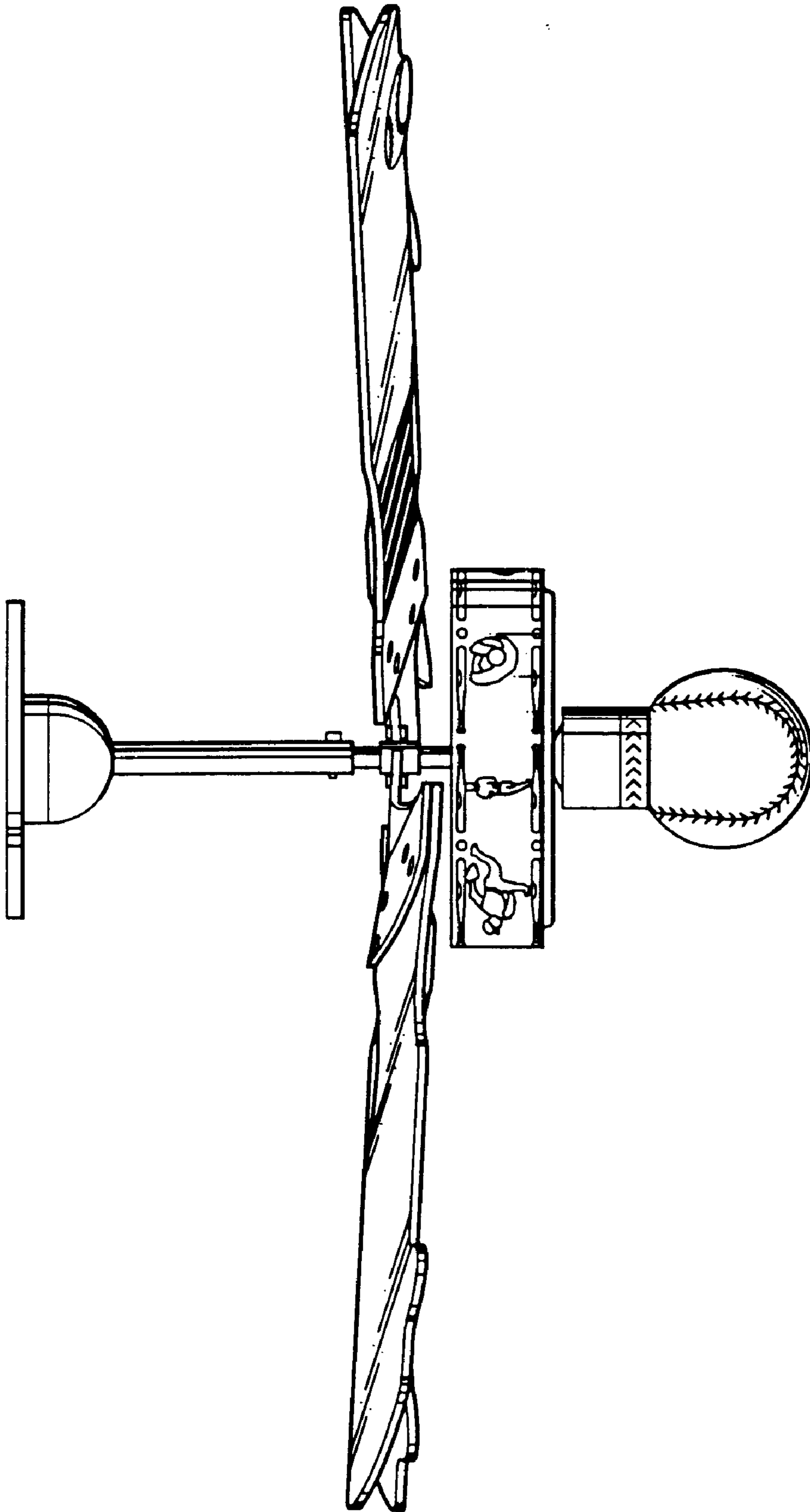


FIG. 5

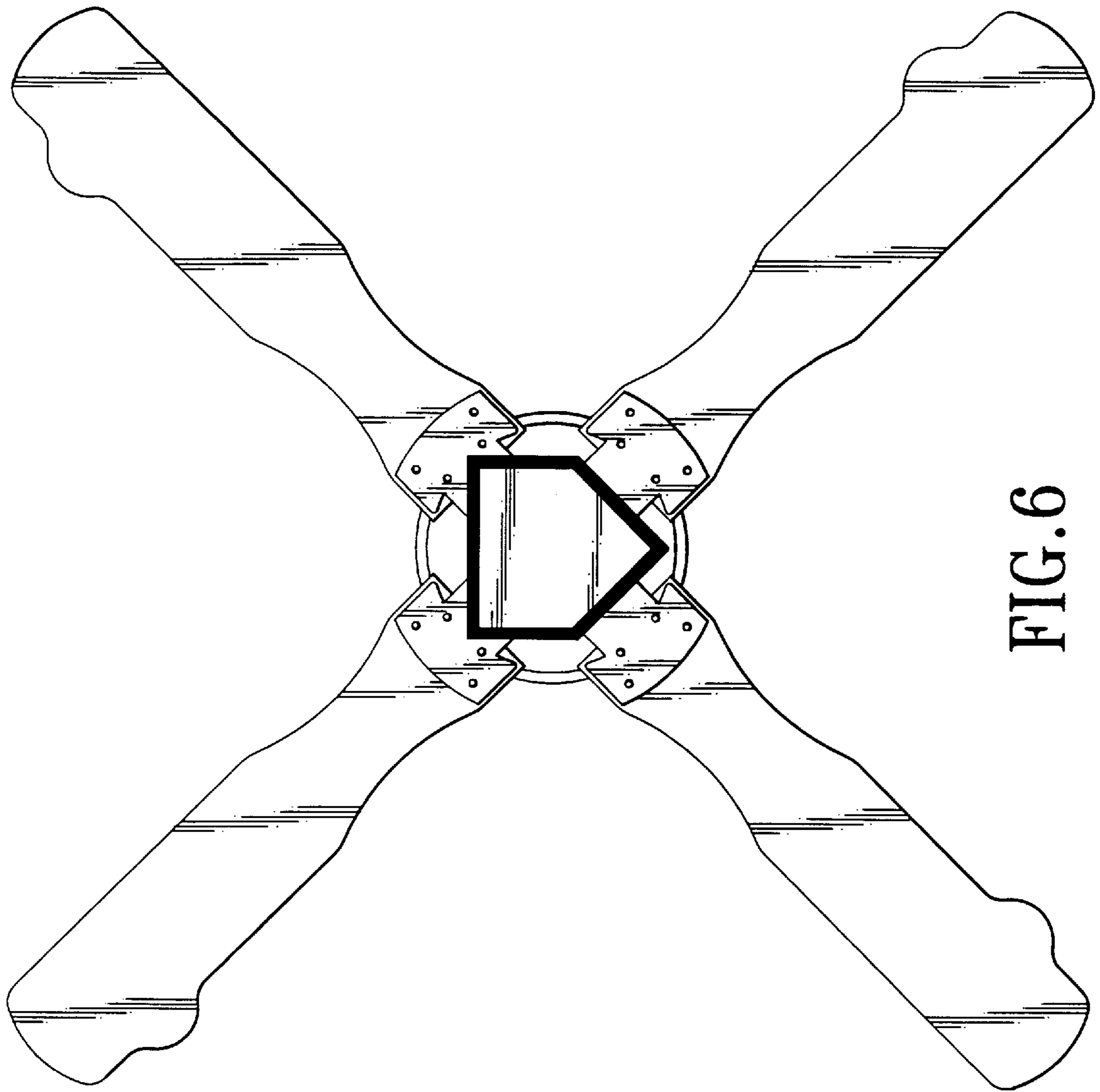


FIG.6

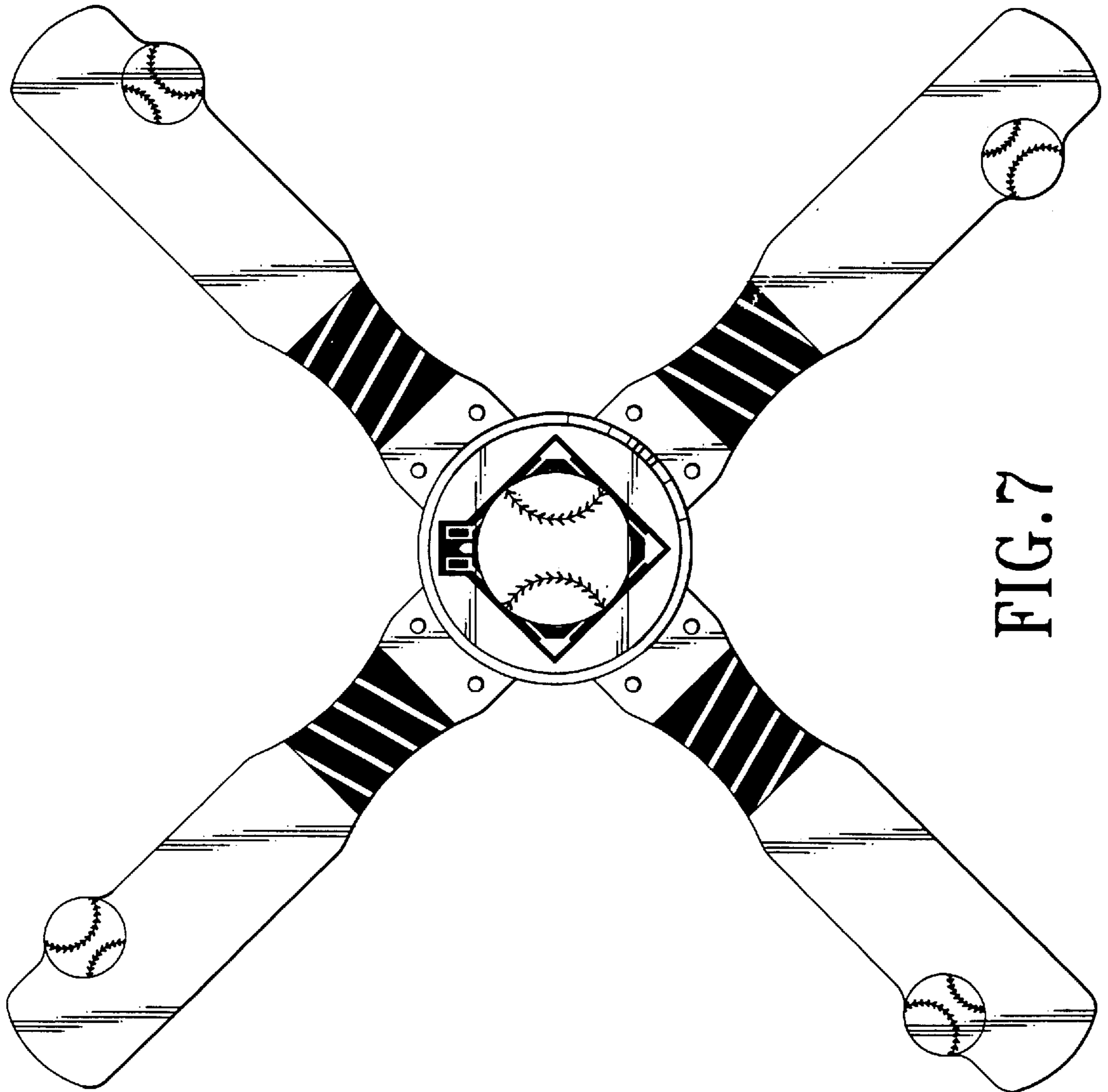


FIG. 7