



US00D420729S

United States Patent [19] Garza

[11] Patent Number: **Des. 420,729**

[45] Date of Patent: **** Feb. 15, 2000**

[54] **TOILET**

[76] Inventor: **Marcelo Garza Laguera Garza,**
Acambaro No. 459, Col. Cd. Industrial,
Irapuato, Guanajuato, Mexico, 36541

[**] Term: **14 Years**

[21] Appl. No.: **29/103,459**

[22] Filed: **Apr. 15, 1999**

[30] Foreign Application Priority Data

Feb. 11, 1998 [MX] Mexico 004891

[51] **LOC (7) Cl.** **23-02**

[52] **U.S. Cl.** **D23/301**

[58] **Field of Search** D23/295-301;
4/353, 421, 424, 428, 430, 604, 300, DIG. 2

[56] References Cited

U.S. PATENT DOCUMENTS

- D. 93,537 10/1934 Brotz et al. D23/301
- D. 314,236 1/1991 Ament D23/301
- D. 315,017 2/1991 Lenclos D23/301
- D. 323,551 1/1992 Fait D23/301

- D. 326,904 6/1992 Waldren D23/301
- D. 387,858 12/1997 McKeone D23/301
- D. 394,309 5/1998 Garza D23/301
- D. 396,272 7/1998 Garza D23/301
- D. 409,734 5/1999 Sim D23/301
- D. 409,735 5/1999 Svendsen D23/301
- D. 410,998 6/1999 Jones D23/301

Primary Examiner—Eric Watterson
Attorney, Agent, or Firm—Bracewell & Patterson L.L.P.

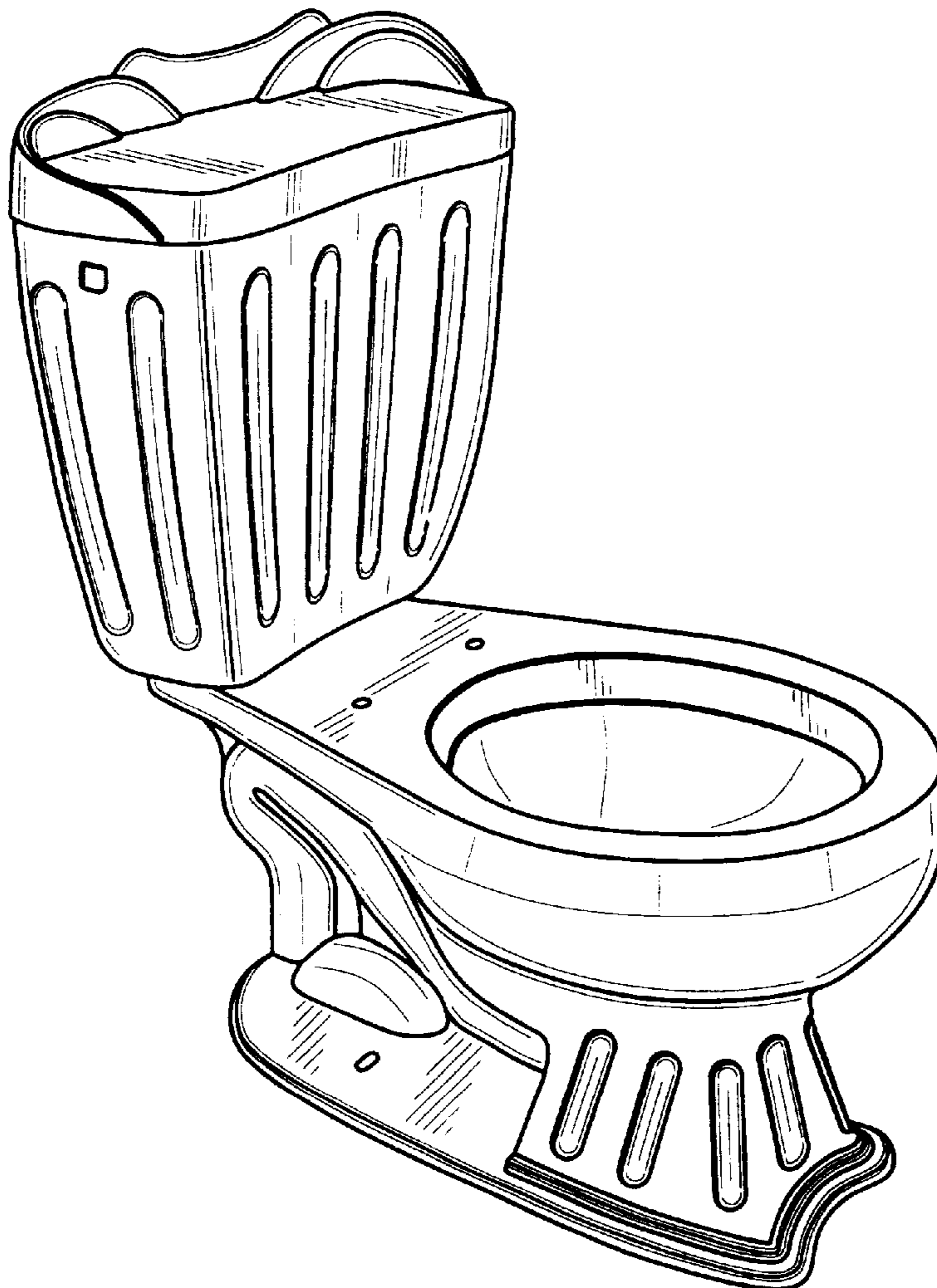
[57] CLAIM

The ornamental design for toilet, as shown.

DESCRIPTION

FIG. 1 is an isometric view showing the ornamental design for a toilet according to the present invention.
 FIG. 2 is a front elevation view of the toilet of FIG. 1.
 FIG. 3 is a top plan view of the toilet of FIG. 1.
 FIG. 4 is a left side elevation view of the toilet of FIG. 1.
 FIG. 5 is a right side elevation view of the toilet of FIG. 1; and,
 FIG. 6 is a rear elevation view of the toilet of FIG. 1.
 The bottom view of the toilet of FIG. 1 is plain and unornamental.

1 Claim, 2 Drawing Sheets



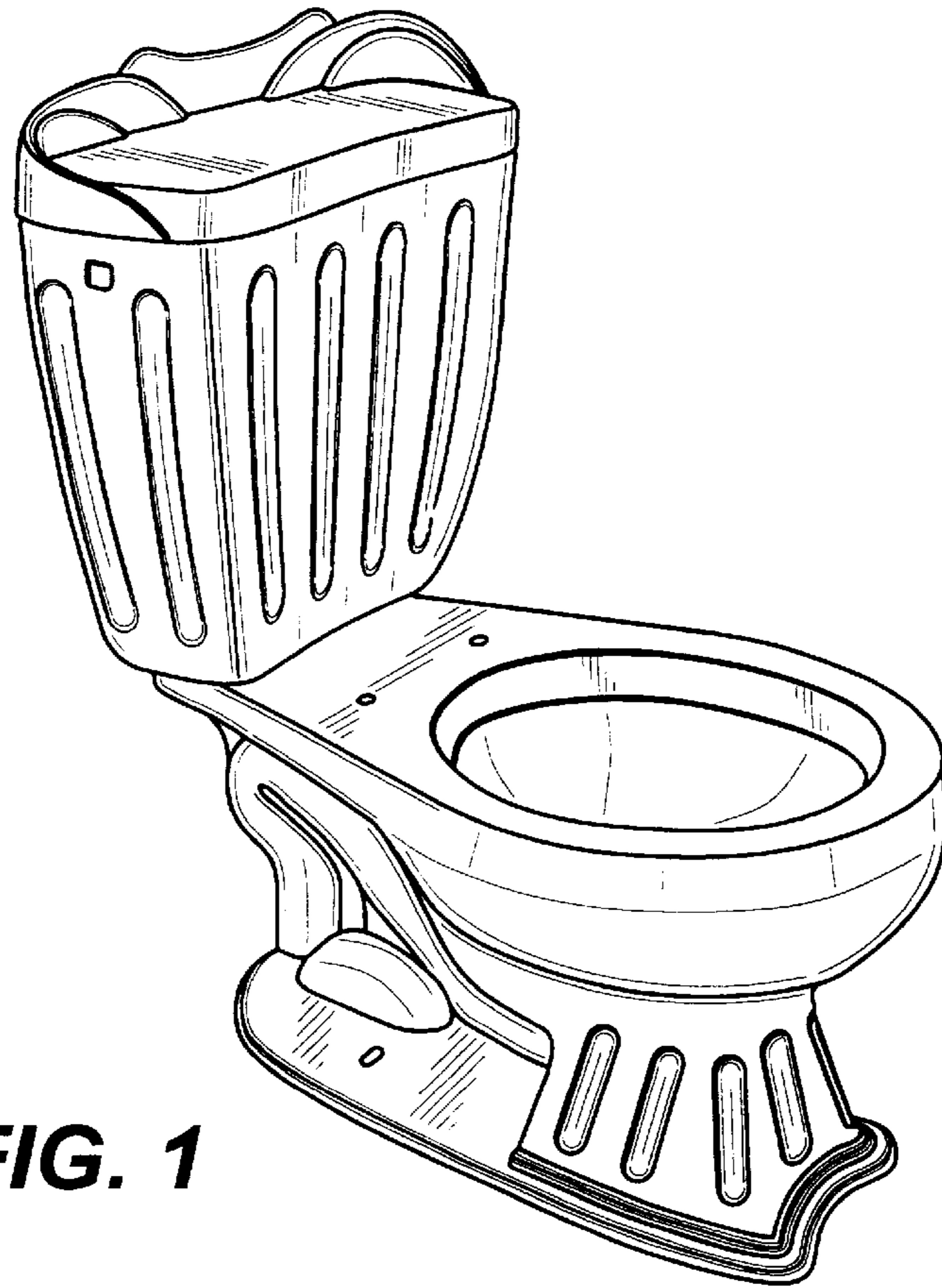


FIG. 1

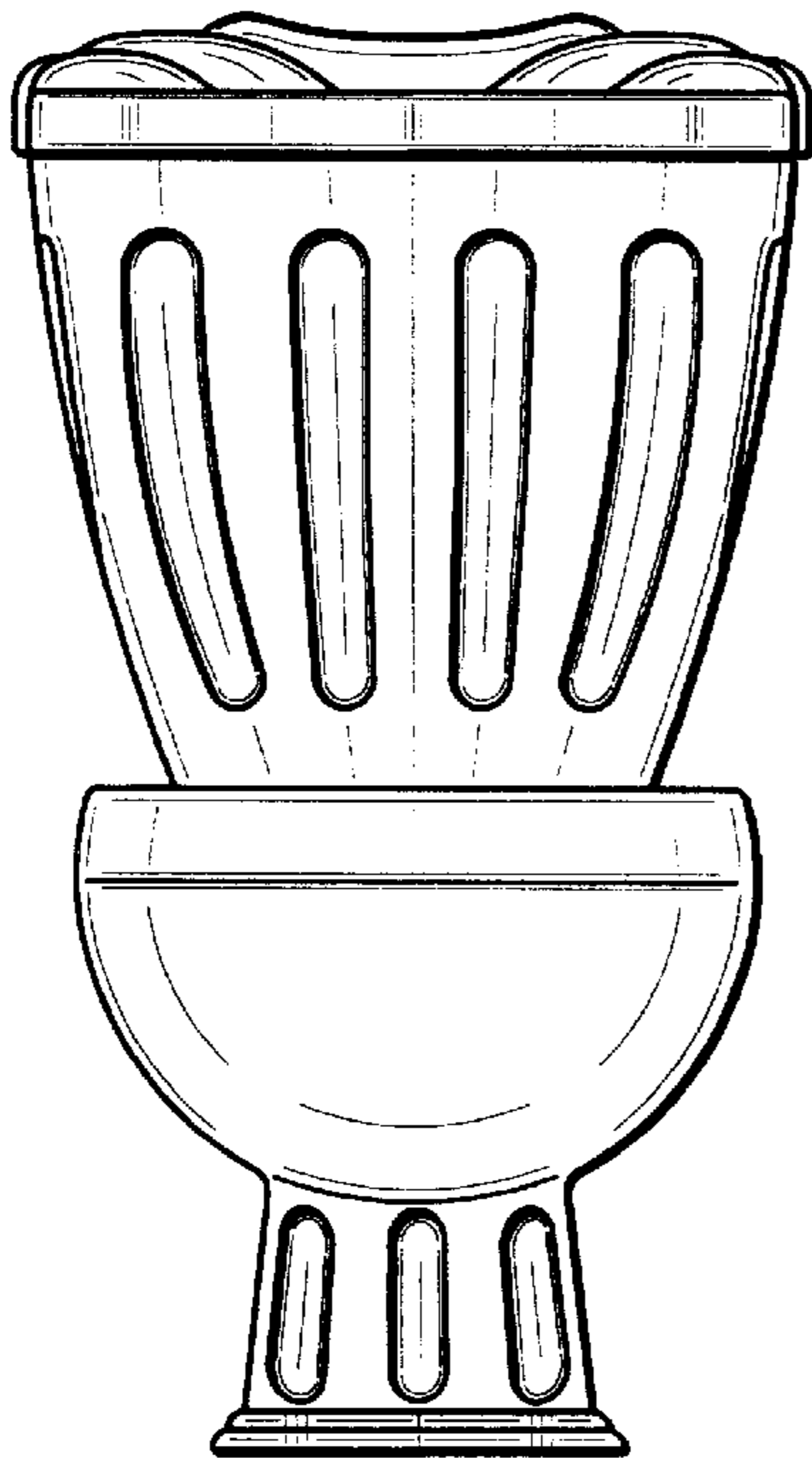


FIG. 2

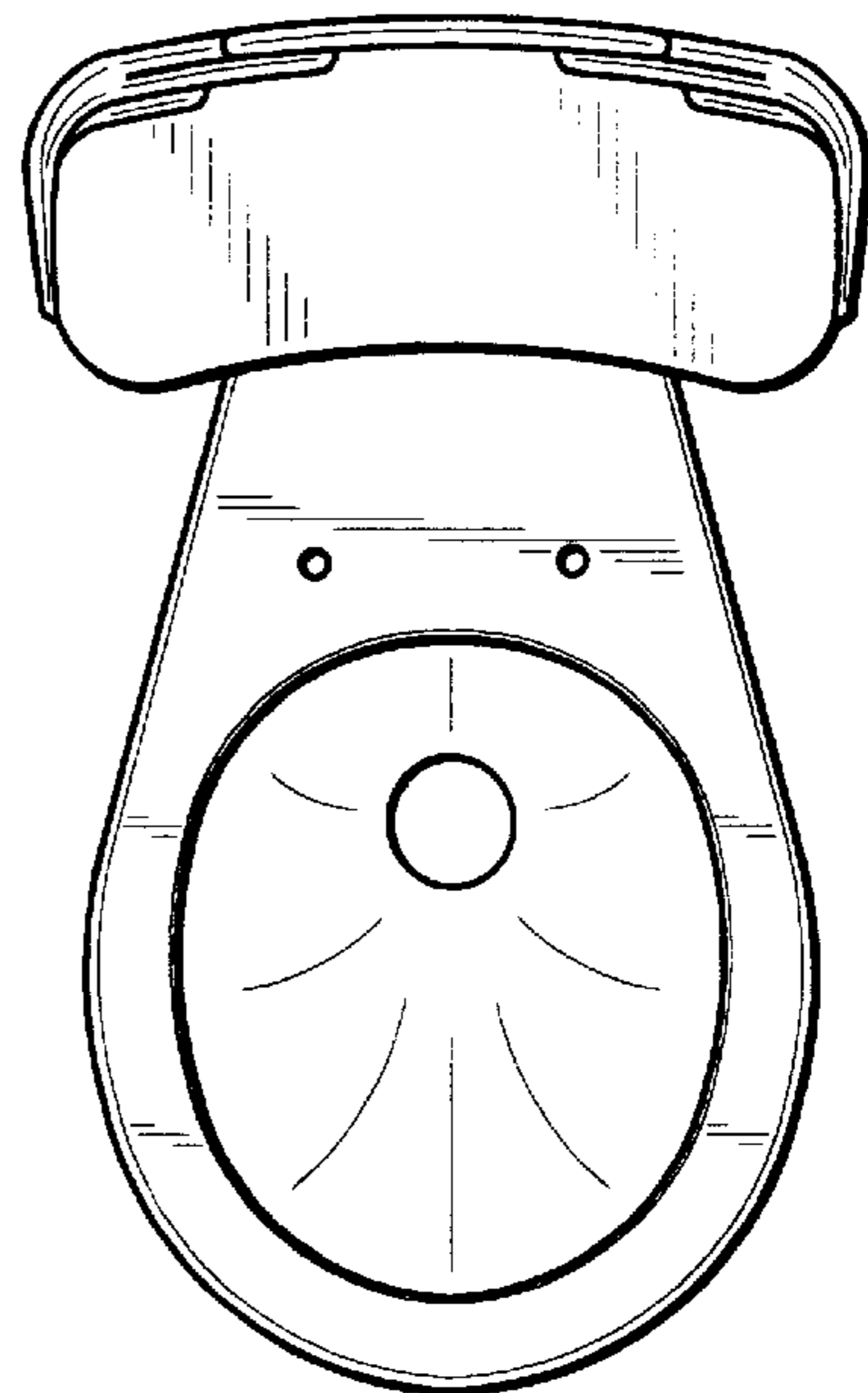


FIG. 3

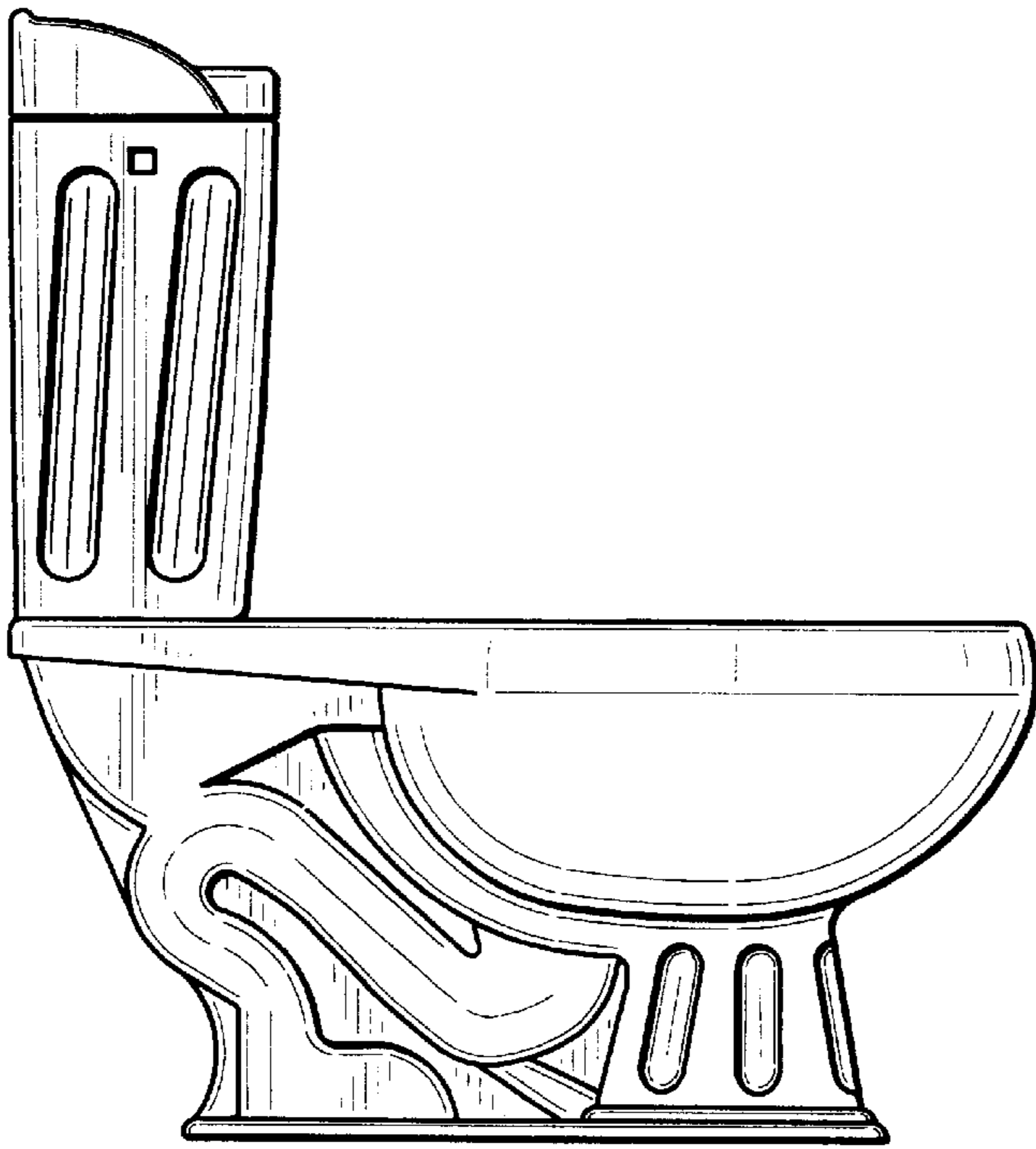


FIG. 4

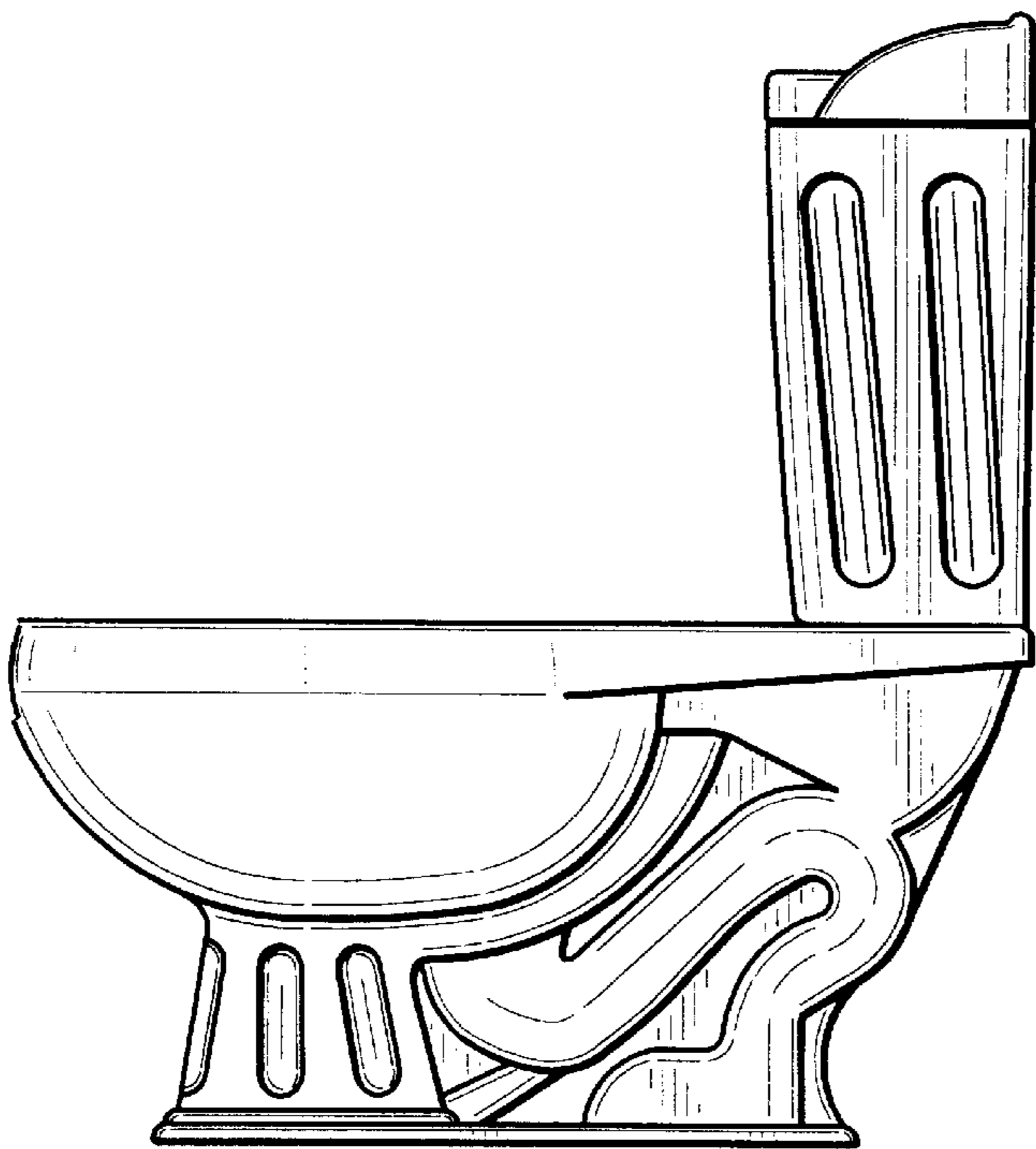


FIG. 5

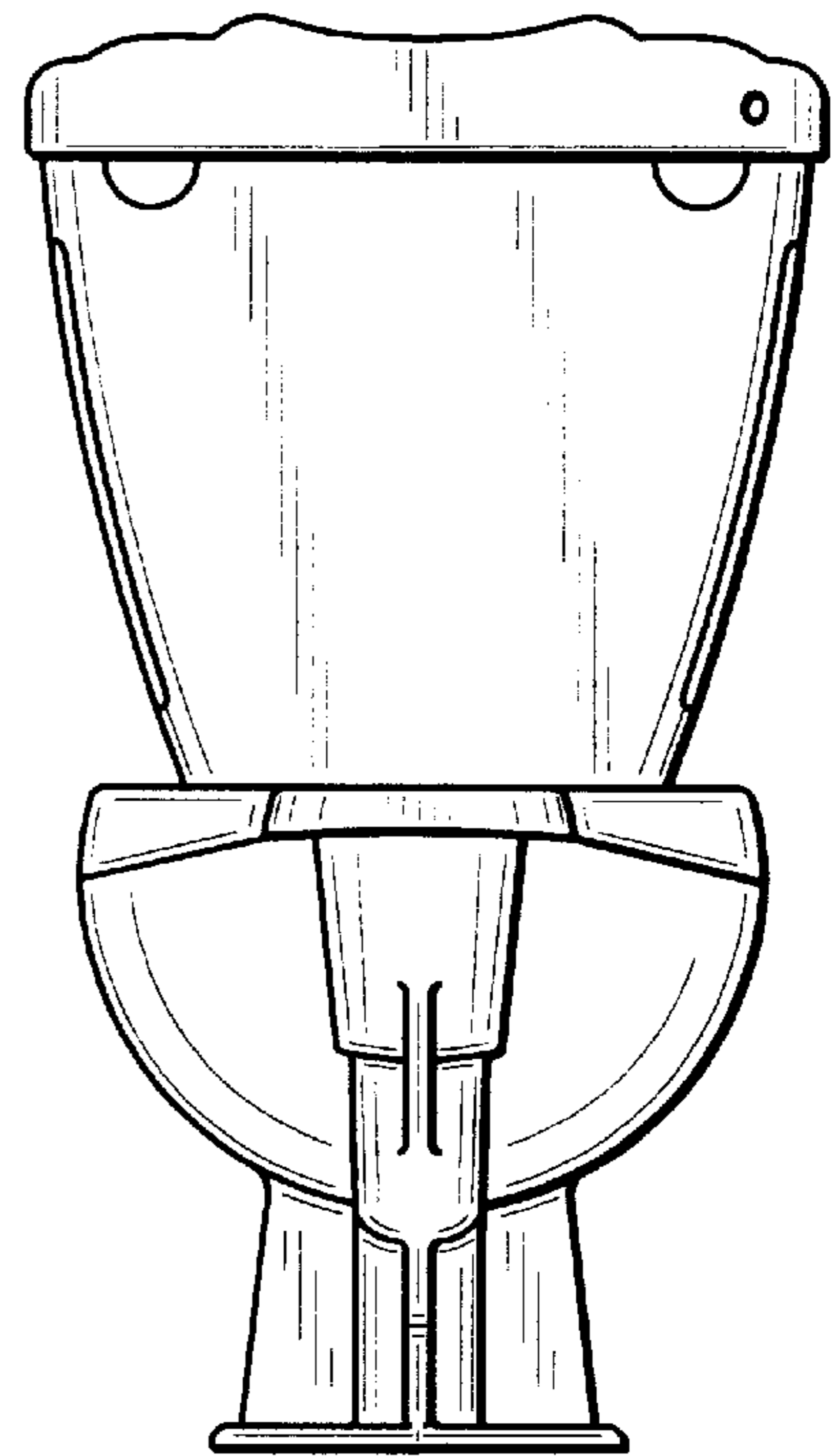


FIG. 6