



US00D420728S

United States Patent [19] Tani

[11] **Patent Number: Des. 420,728**

[45] **Date of Patent: ** Feb. 15, 2000**

[54] **WATER CLOSET**

[75] Inventor: **Minoru Tani**, Kitakyushu, Japan

[73] Assignee: **Toto, Ltd.**, Japan

[**] Term: **14 Years**

[21] Appl. No.: **29/098,970**

[22] Filed: **Jan. 8, 1999**

Related U.S. Application Data

[62] Division of application No. 29/073,574, Jul. 11, 1997.

[51] **LOC (7) Cl.** **23-02**

[52] **U.S. Cl.** **D23/301**

[58] **Field of Search** D23/295-301;
4/328, 329-430

[56] References Cited

U.S. PATENT DOCUMENTS

- D. 311,242 10/1990 Reid D23/301
- D. 311,243 10/1990 Vaupel et al. D23/301
- D. 314,236 1/1991 Ament D23/301
- D. 346,854 5/1994 Reid D23/301

- D. 351,225 10/1994 Boisvert D23/301
- D. 353,450 12/1994 Anderson et al. D23/301
- D. 370,720 6/1996 Kaiser D23/301
- D. 389,902 1/1998 Jones et al. D23/301
- D. 397,214 8/1998 Felker D23/301
- D. 406,326 3/1999 Tani et al. D23/301

FOREIGN PATENT DOCUMENTS

845954 8/1992 Japan .

Primary Examiner—Eric Watterson
Attorney, Agent, or Firm—Finnegan, Henderson, Farabow,
Garrett & Dunner, L.L.P.

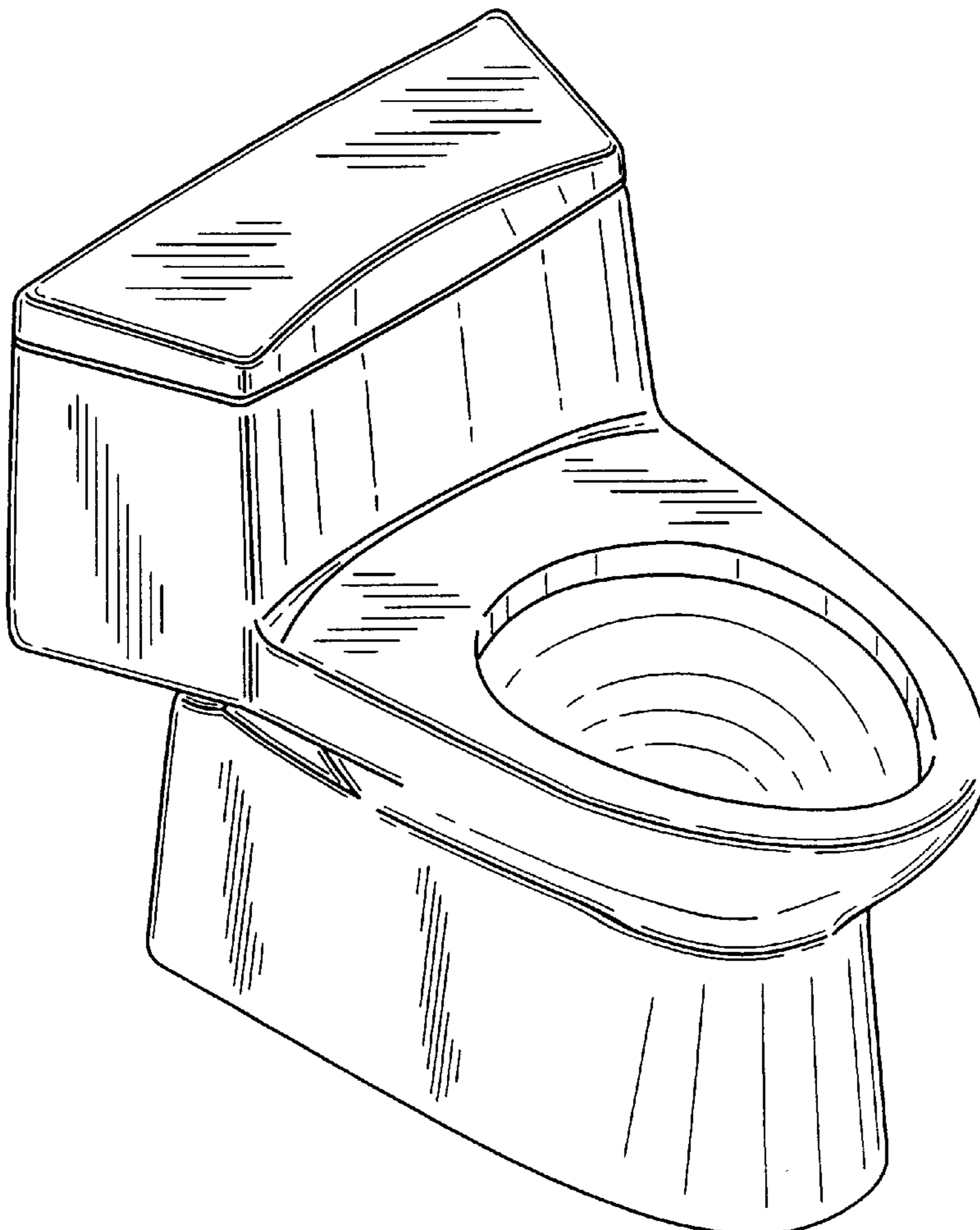
[57] CLAIM

The ornamental design for a water closet, as shown and described.

DESCRIPTION

FIG. 1 is a front view of a water closet embodying my design;
FIG. 2 is a top view thereof;
FIG. 3 is a left side view thereof, the right side being a mirror image of the left side; and,
FIG. 4 is a perspective view thereof.

1 Claim, 2 Drawing Sheets



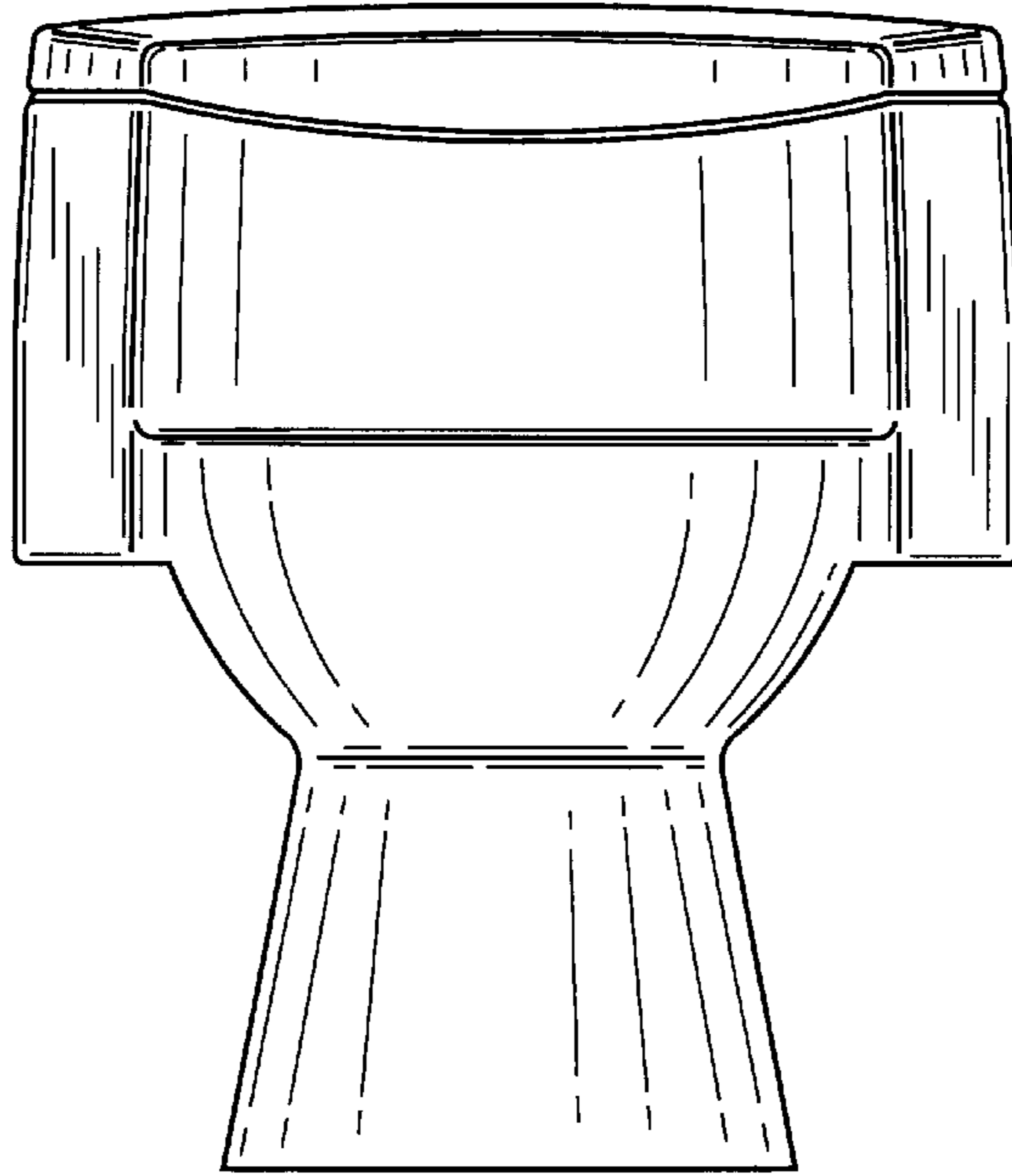


FIG. 1

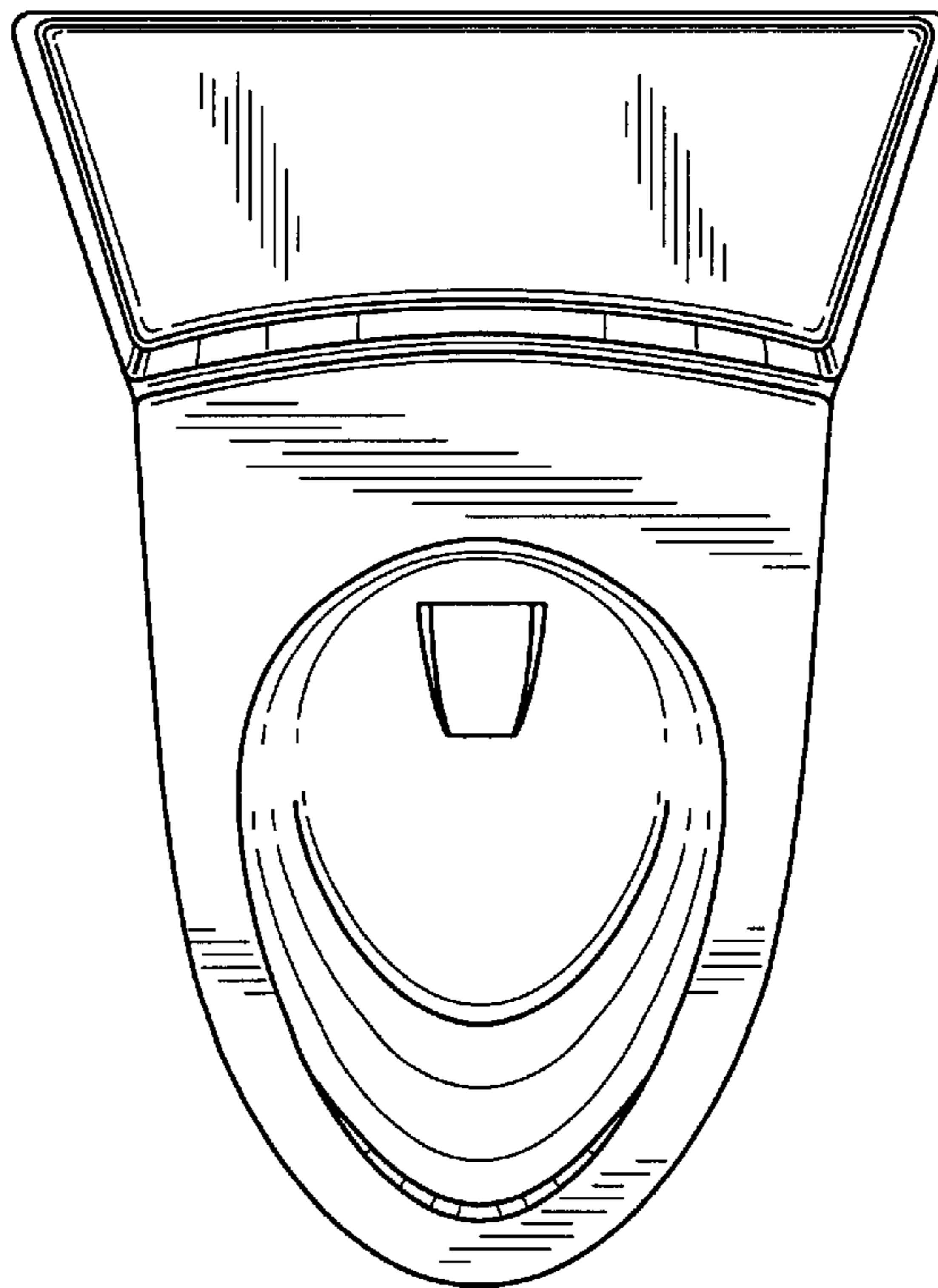


FIG. 2

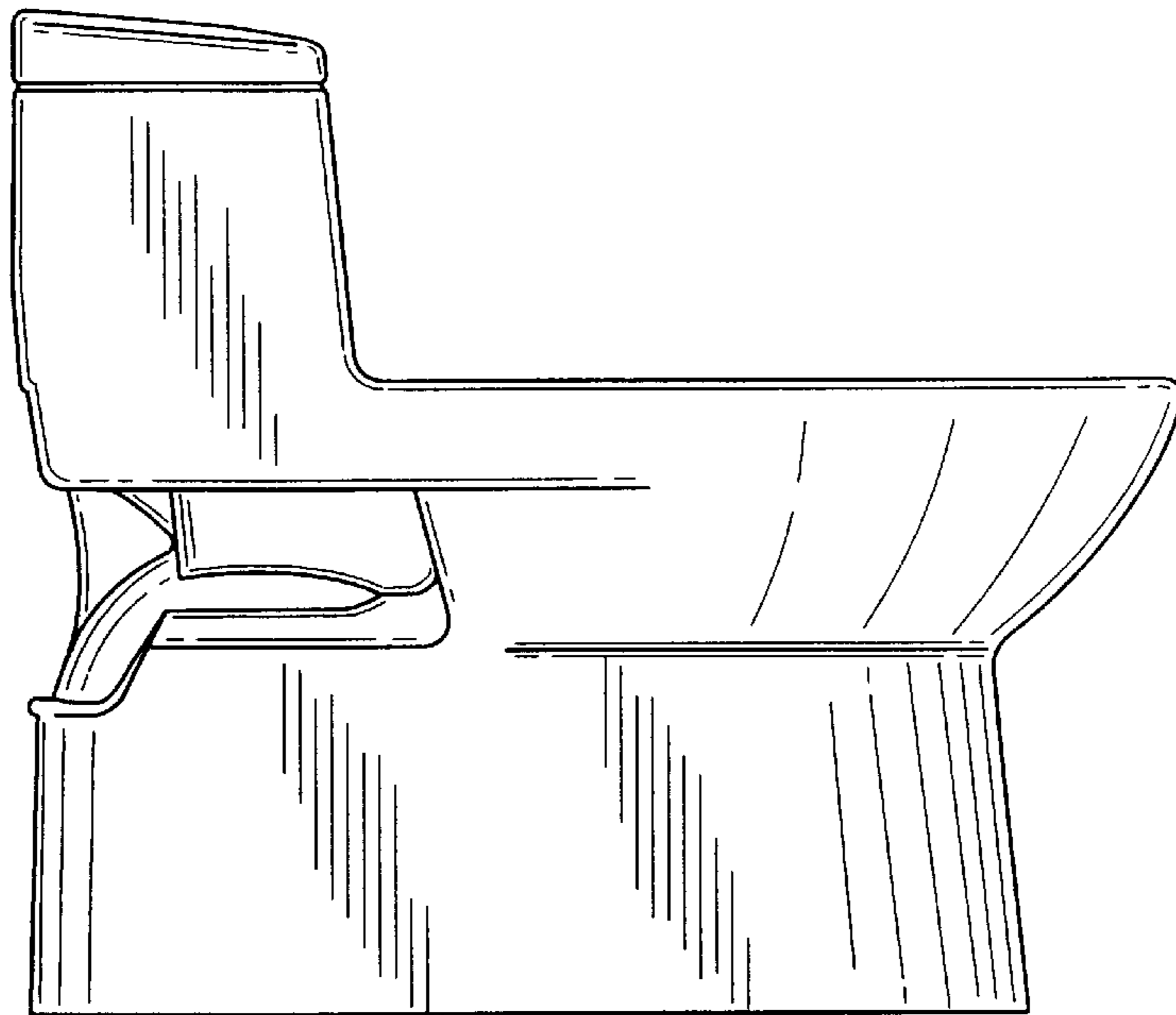


FIG. 3

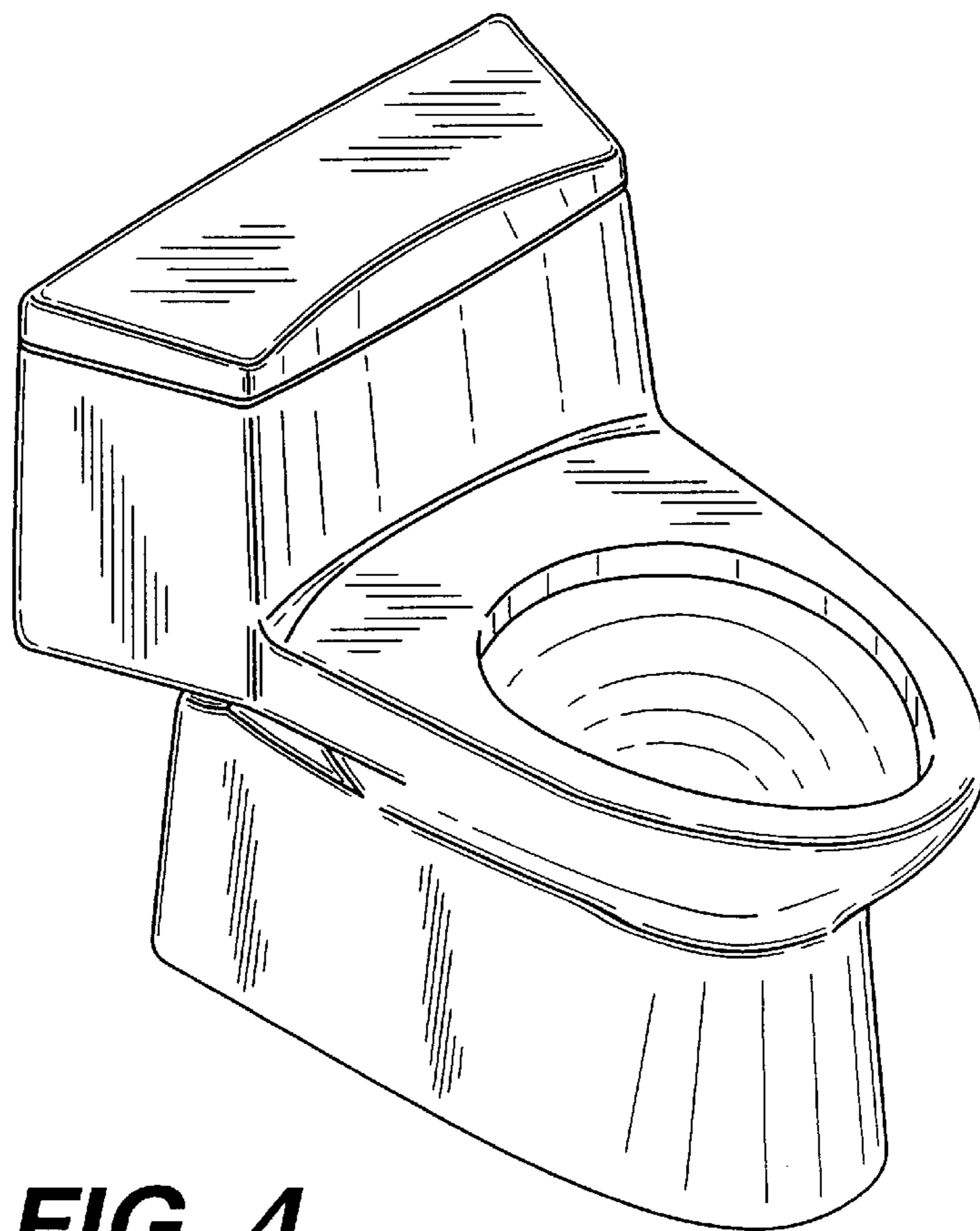


FIG. 4