



US00D420727S

United States Patent [19] Hundley

[11] Patent Number: Des. 420,727

[45] Date of Patent: ** Feb. 15, 2000

[54] SINK

[75] Inventor: Jill E. Hundley, Sheboygan, Wis.

[73] Assignee: Kohler Co., Kohler, Wis.

[**] Term: 14 Years

[21] Appl. No.: 29/098,841

[22] Filed: Jan. 7, 1999

[51] LOC (7) Cl. 23-02

[52] U.S. Cl. D23/290

[58] Field of Search D23/284-283.1;
4/619, 624, 625, 626, 638-650

[56] References Cited

U.S. PATENT DOCUMENTS

D. 279,404	6/1985	Hiller	D23/290
D. 324,909	3/1992	Sauter et al.	D23/290
D. 329,279	9/1992	Blan et al.	D23/287
D. 344,576	2/1994	Stairs, Jr.	D23/290
D. 362,901	10/1995	Dannenberg et al.	D23/290
D. 397,213	8/1998	Bonnell	D23/290
D. 398,970	9/1998	Gardner et al.	D23/290
D. 402,358	12/1998	Bonnell	D23/290

OTHER PUBLICATIONS

1997 Kohler catalog ad, p. 16.12, showing a "Cilantro" double basin kitchen sink.

1997 Kohler catalog ad, p. 12.2, showing a "Queen Anne" double basin vanity.

Primary Examiner—Eric Watterson

Attorney, Agent, or Firm—Quarles & Brady LLP

[57] CLAIM

The ornamental design for a sink, as shown and described.

DESCRIPTION

FIG. 1 is a left, top, front perspective view of a sink embodying my new design;

FIG. 2 is a top plan view thereof;

FIG. 3 is a front elevational view thereof;

FIG. 4 is a left side elevational view thereof;

FIG. 5 is a rear elevational view thereof;

FIG. 6 is a right side elevational view thereof;

FIG. 7 is a cross-sectional view thereof taken along line 7—7 of FIG. 2;

FIG. 8 is a cross-sectional view thereof taken along line 8—8 of FIG. 2;

FIG. 9 is a cross-sectional view thereof taken along line 9—9 of FIG. 2;

FIG. 10 is a right, top, front perspective view of a second embodiment, the top plan view being a mirror image of that shown in FIG. 2, the front elevational view being a mirror image of that shown in FIG. 3, the right side elevational view being a mirror image of that shown in FIG. 4, the rear elevational view being a mirror image of that shown in FIG. 5, and the left side elevational view being a mirror image of that shown in FIG. 6;

FIG. 11 is a left, top, front perspective view of a third embodiment;

FIG. 12 is a top plan view thereof;

FIG. 13 is a front elevational view thereof;

FIG. 14 is a left side elevational view thereof;

FIG. 15 is a rear elevational view thereof;

FIG. 16 is a right side elevational view thereof;

FIG. 17 is a cross-sectional view thereof taken along line 17—17 of FIG. 12;

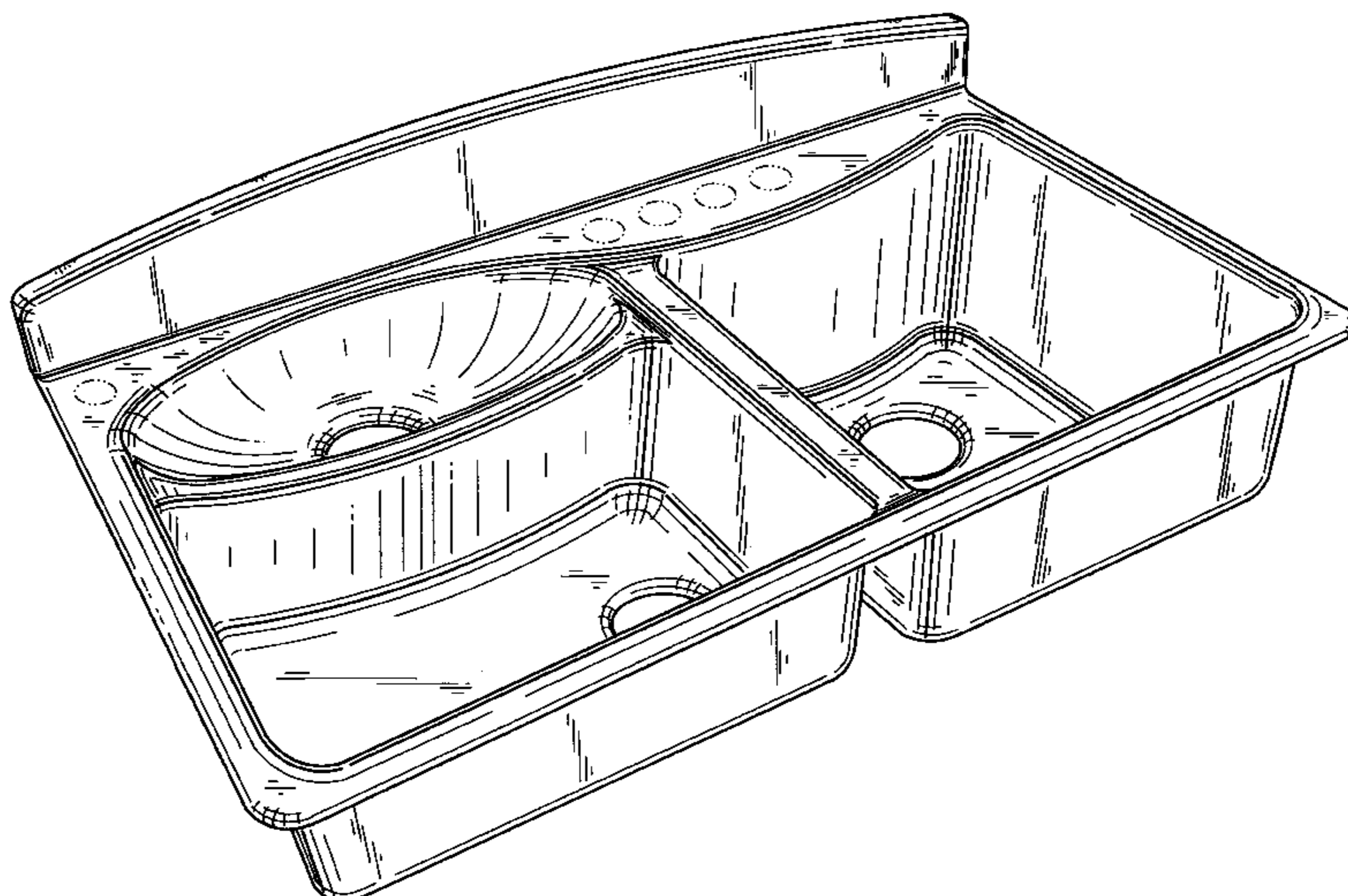
FIG. 18 is a cross-sectional view thereof taken along line 18—18 of FIG. 12;

FIG. 19 is a cross-sectional view thereof taken along line 19—19 of FIG. 12; and

FIG. 20 is a right, top, front perspective view of a fourth embodiment, the top plan view being a mirror image of that shown in FIG. 12, the front elevational view being a mirror image of that shown in FIG. 13, the right side elevational view being a mirror image of that shown in FIG. 14, the rear elevational view being a mirror image of that shown in FIG. 15, and the left side elevational view being a mirror image of that shown in FIG. 16.

The broken line representations of support structure in FIGS. 3-5, 7-8, 13-15, and 17-18, and of holes in FIGS. 1, 2, 10, 11, 12, and 20, are for the purpose of illustration only, and form no part of the claimed design.

1 Claim, 12 Drawing Sheets



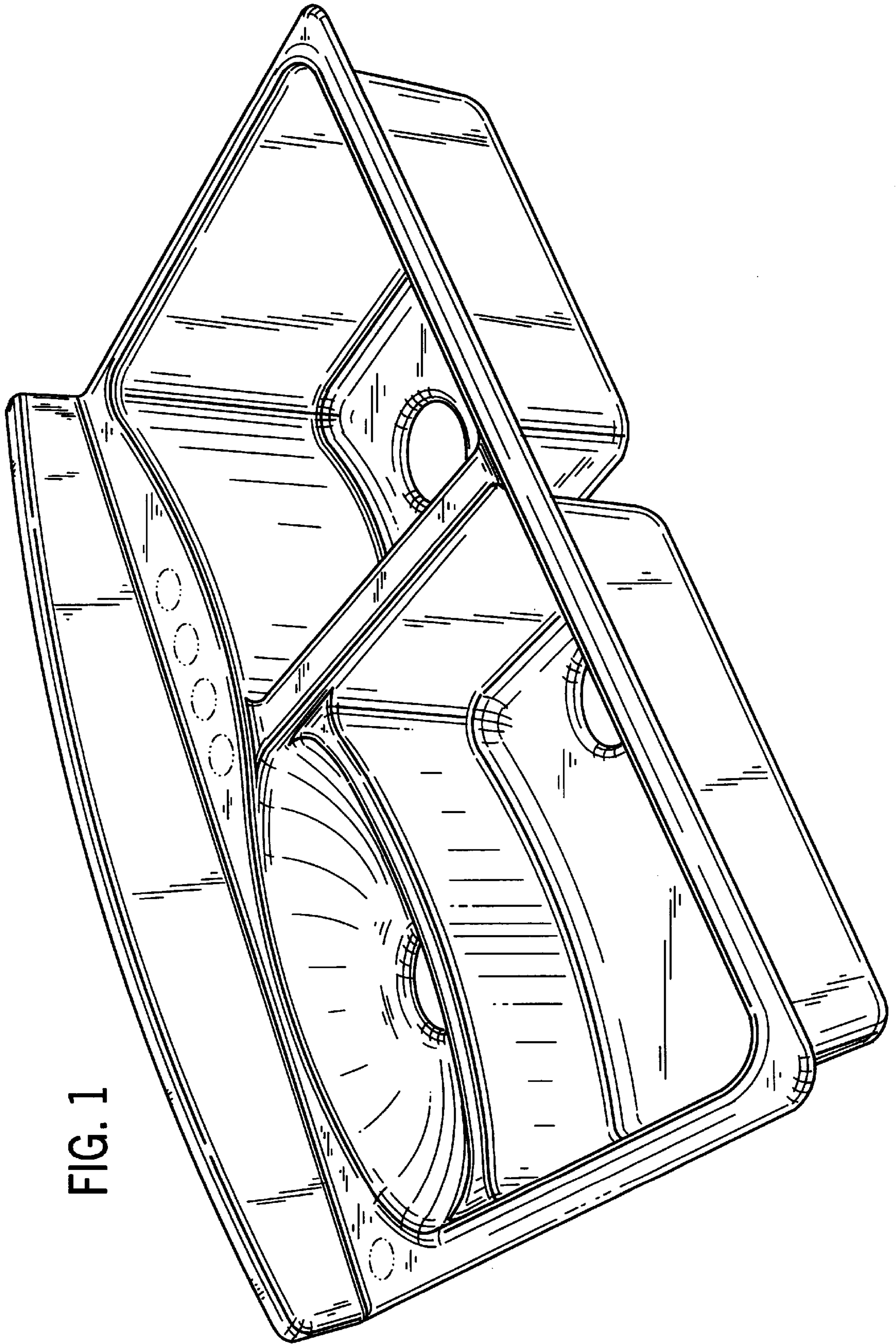


FIG. 1

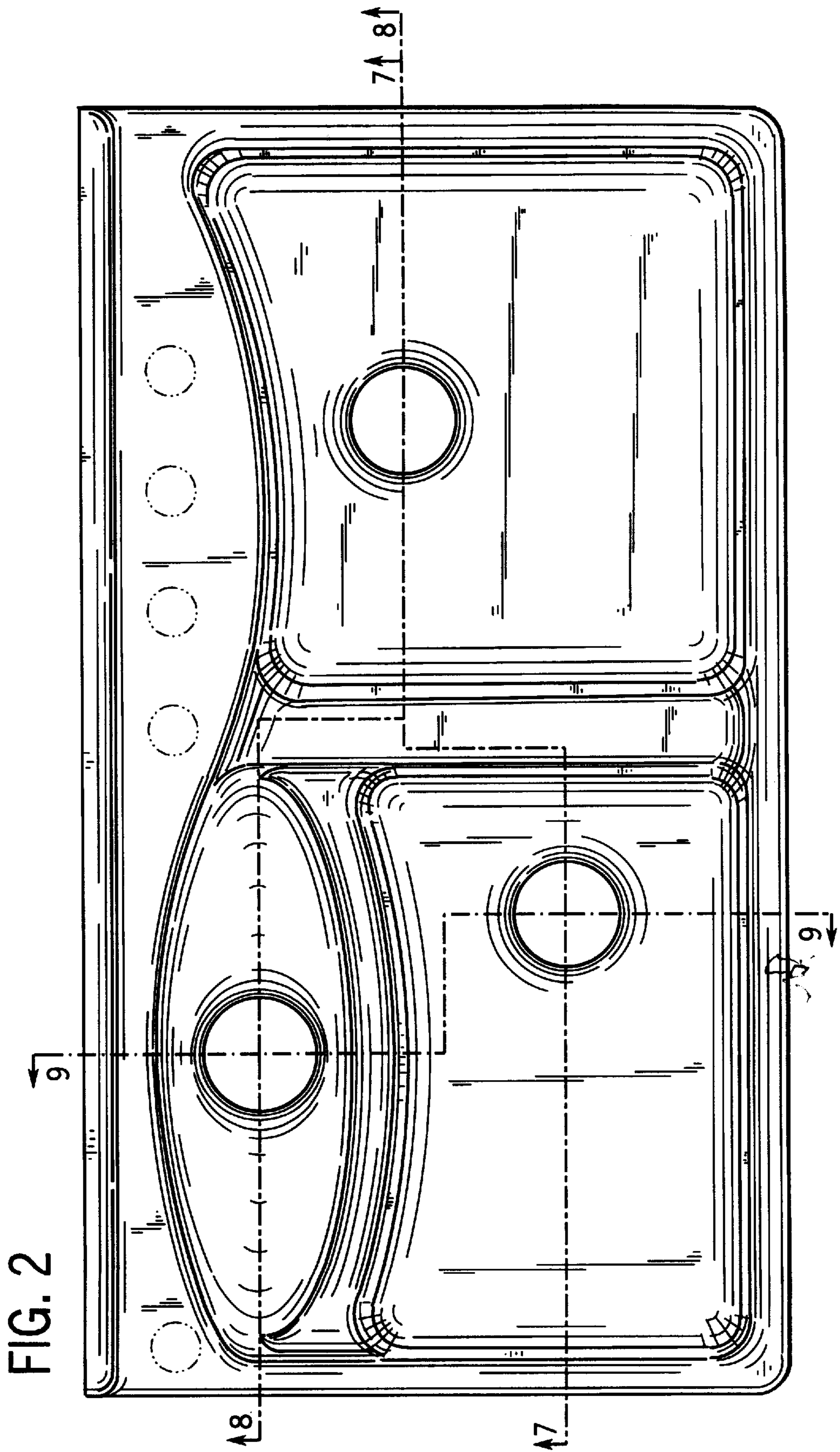


FIG. 3

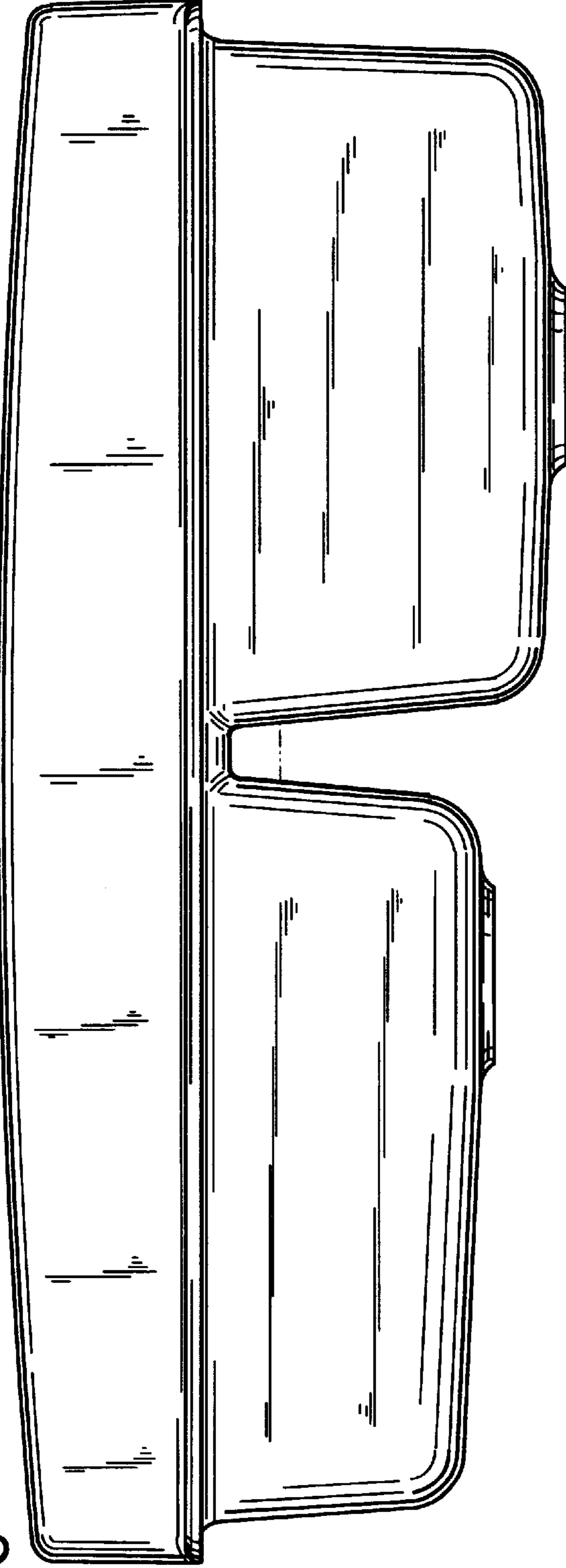
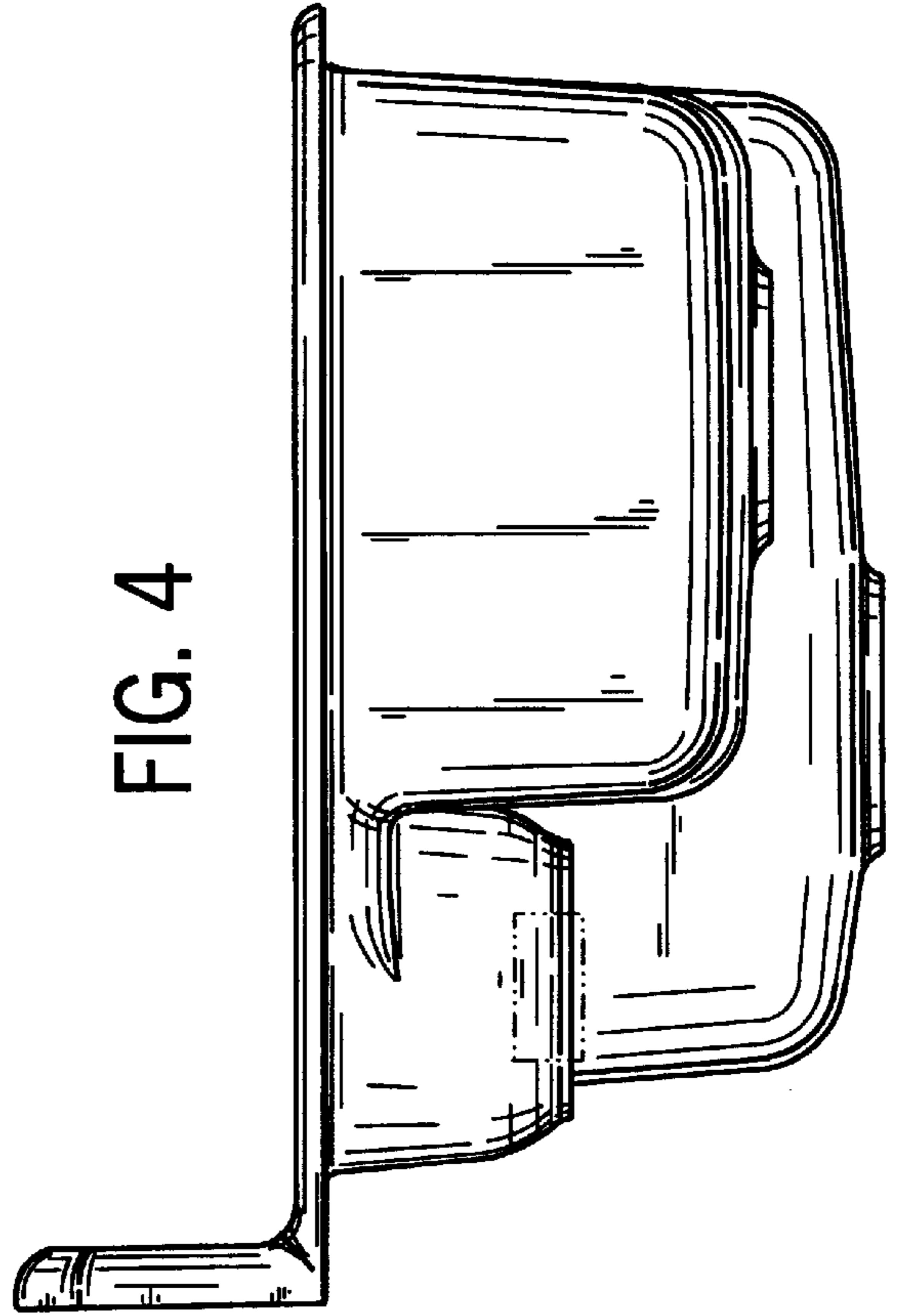


FIG. 4



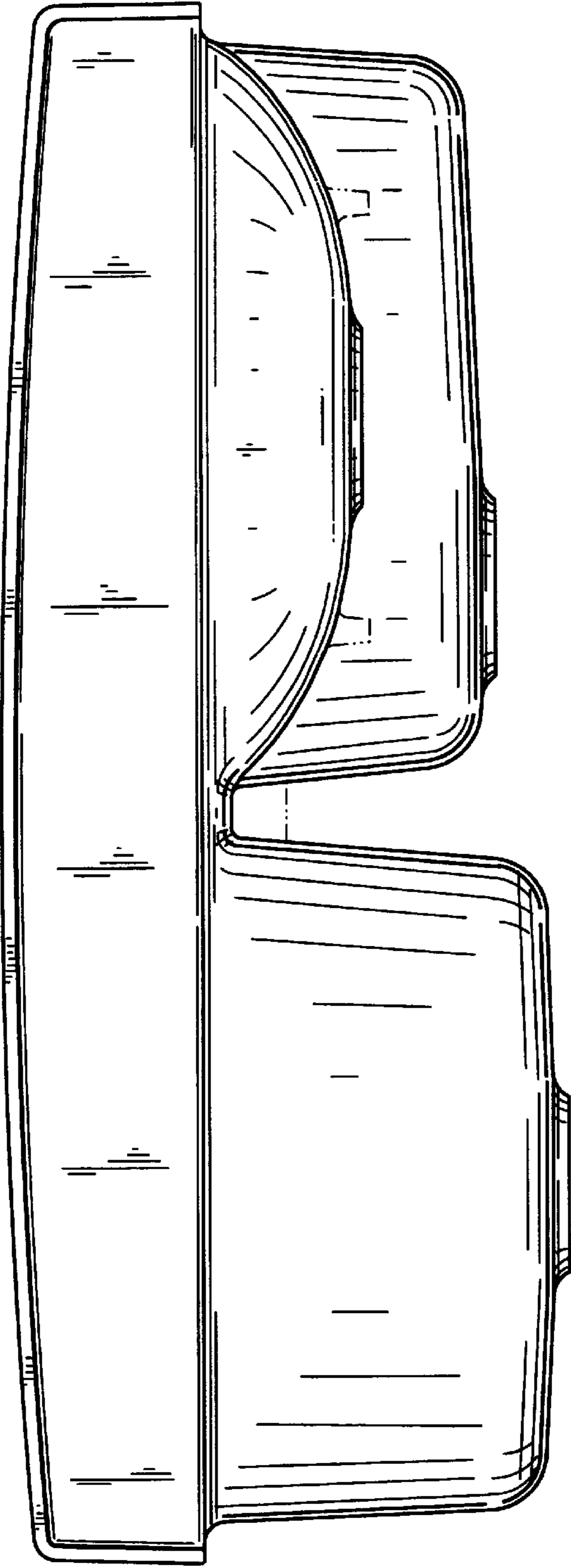


FIG. 5

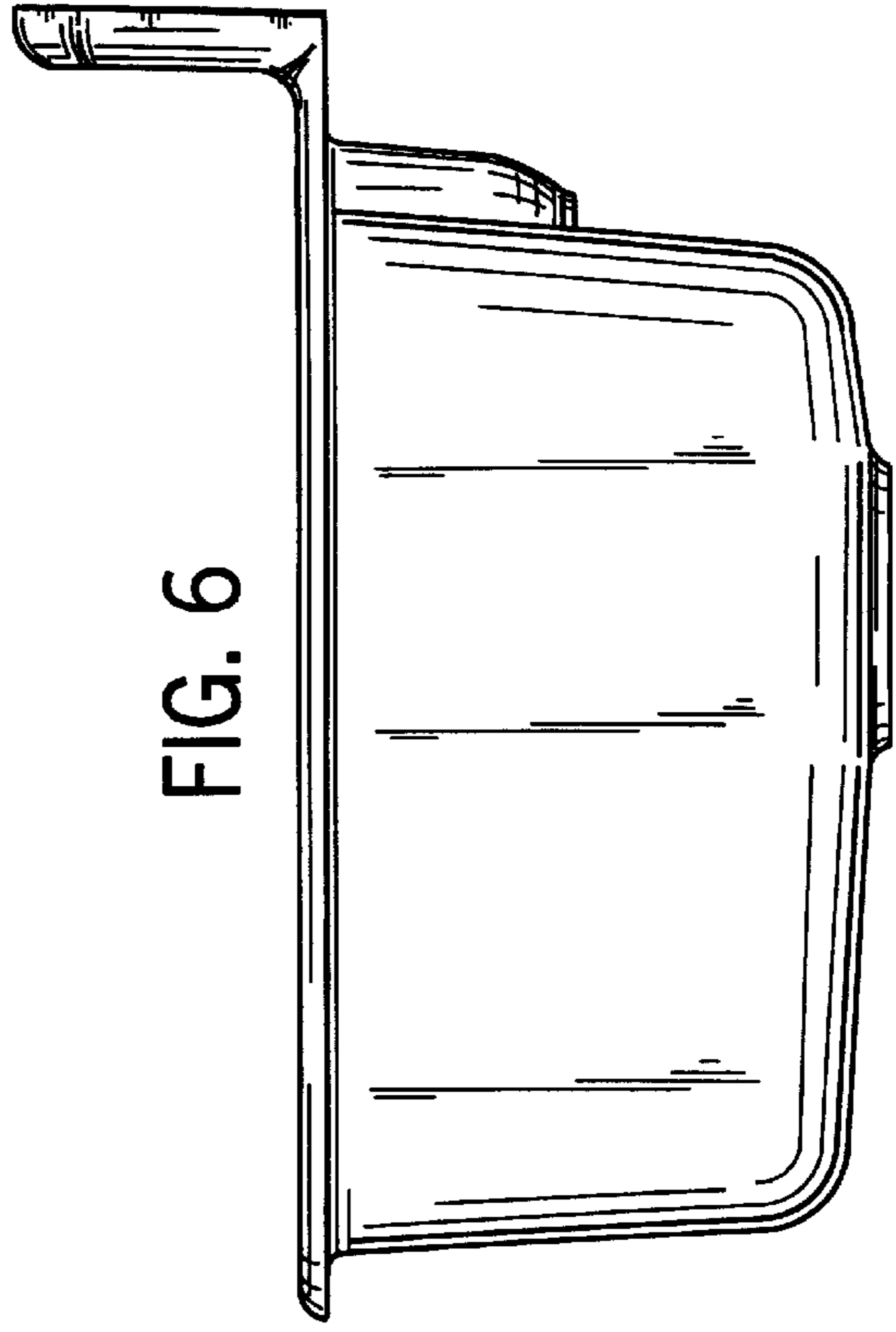


FIG. 6

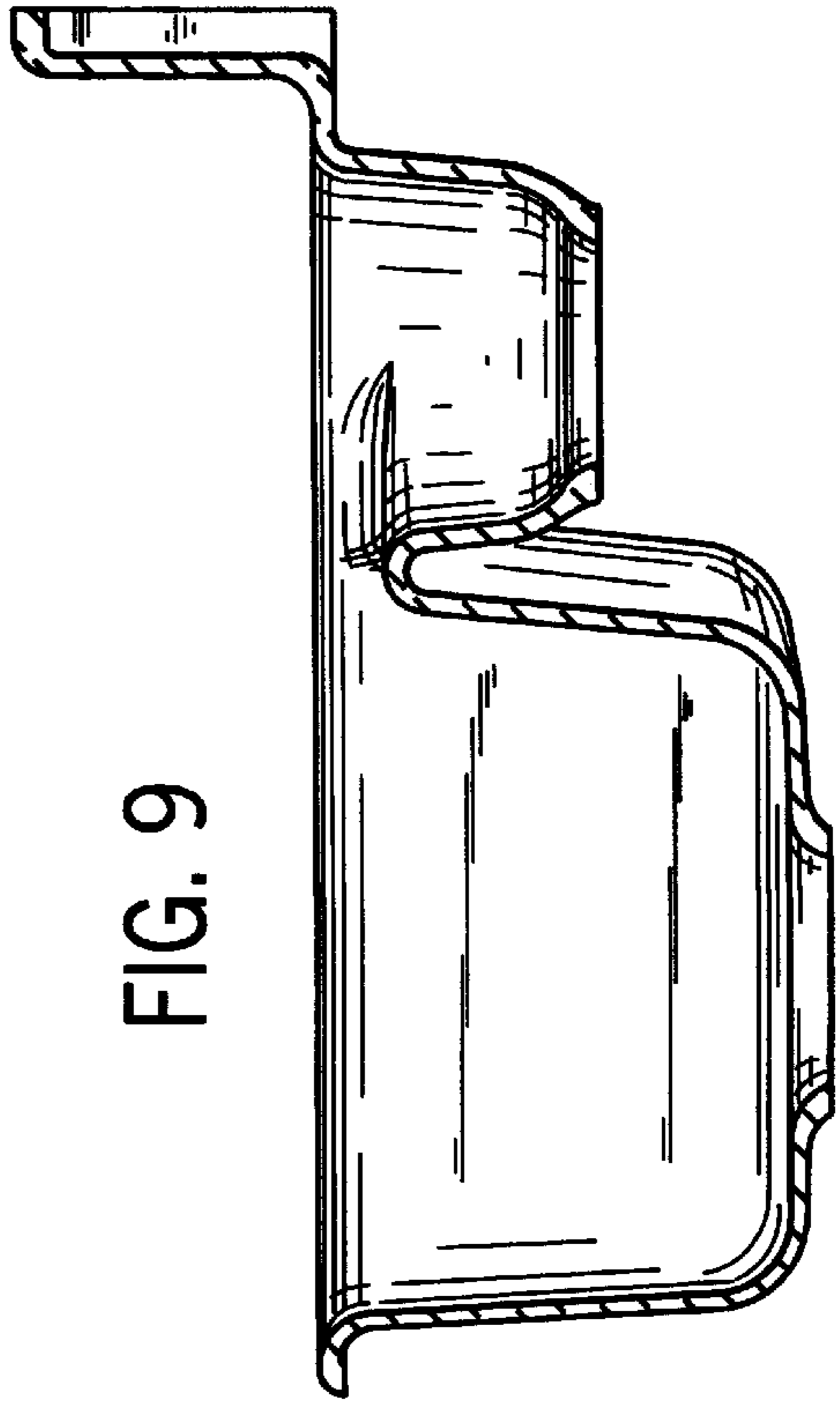


FIG. 9

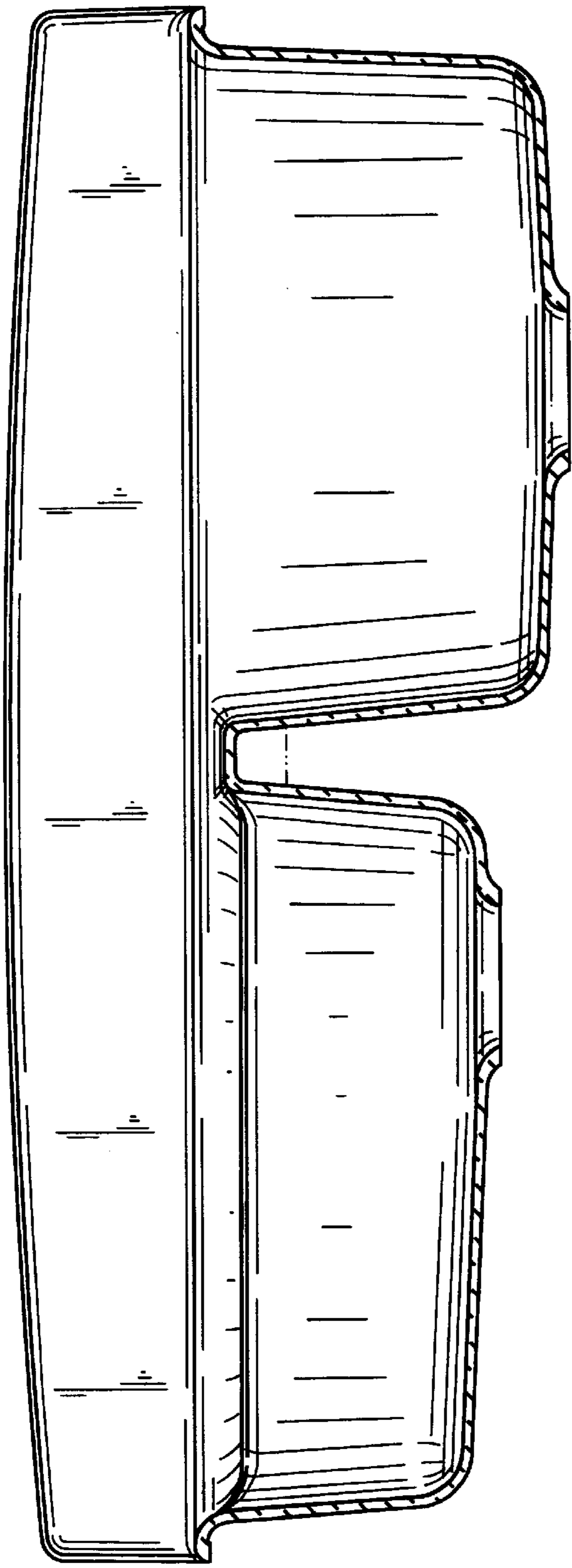


FIG. 7

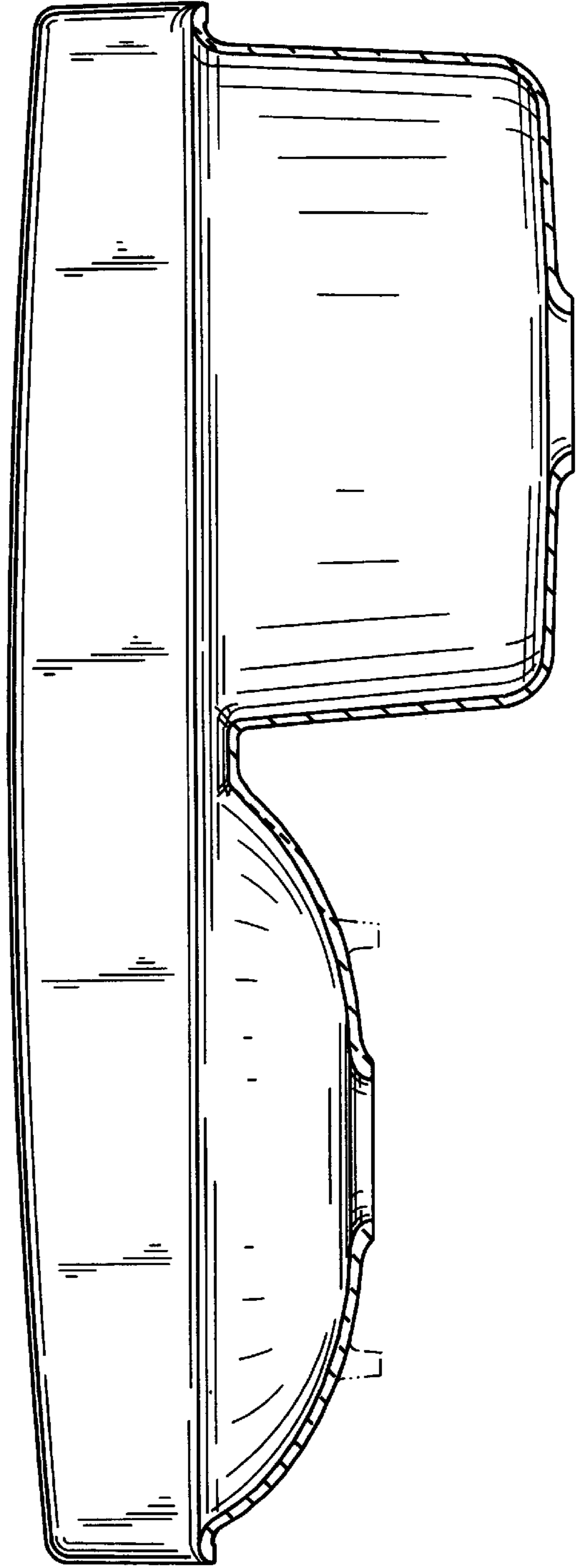
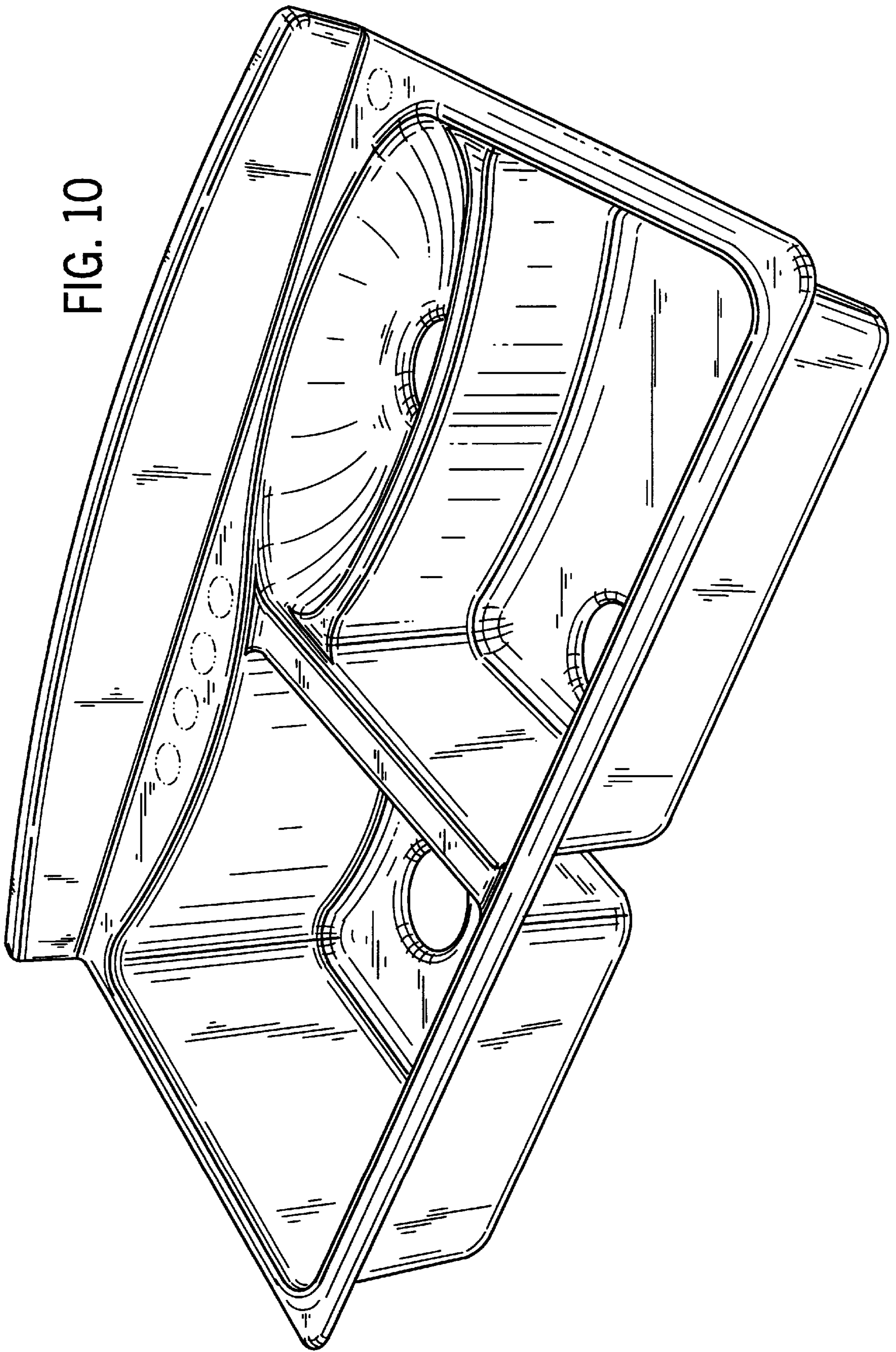


FIG. 8

FIG. 10



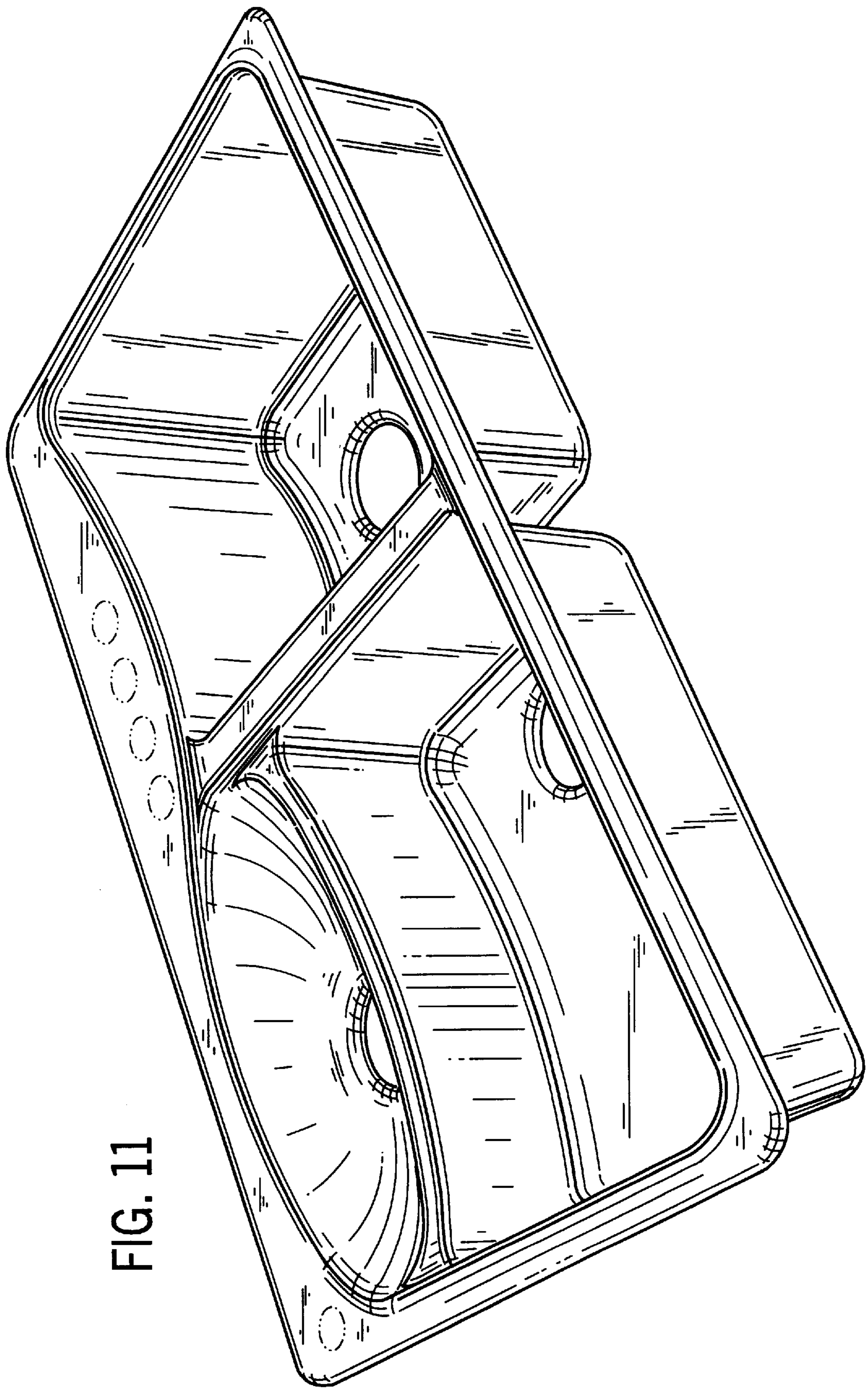


FIG. 11

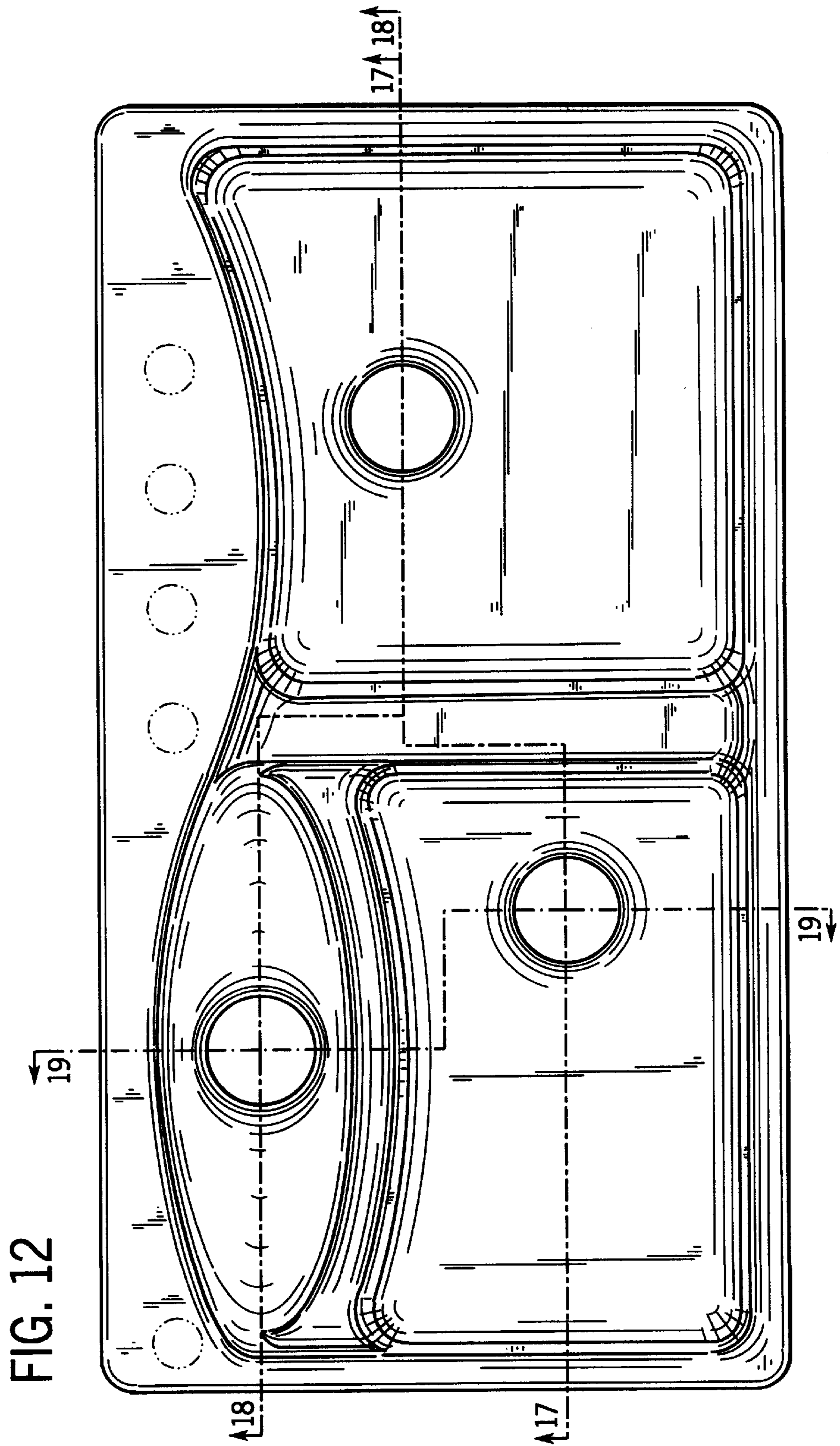


FIG. 13

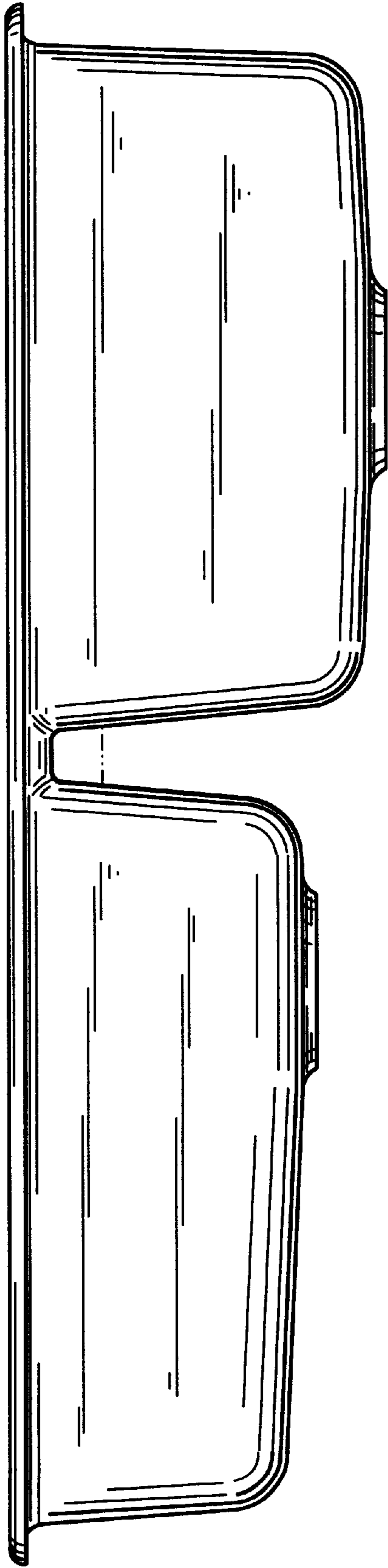


FIG. 14

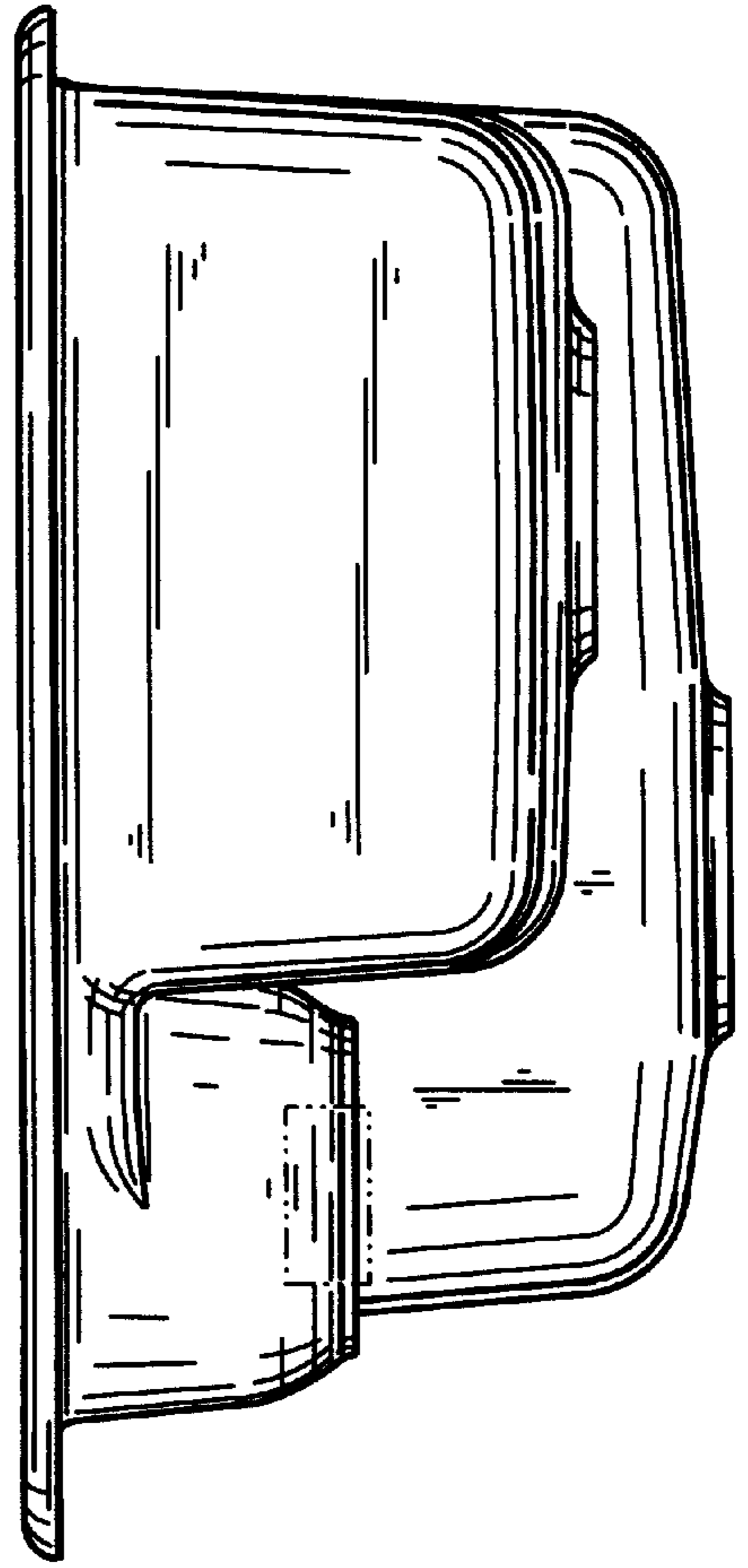


FIG. 15

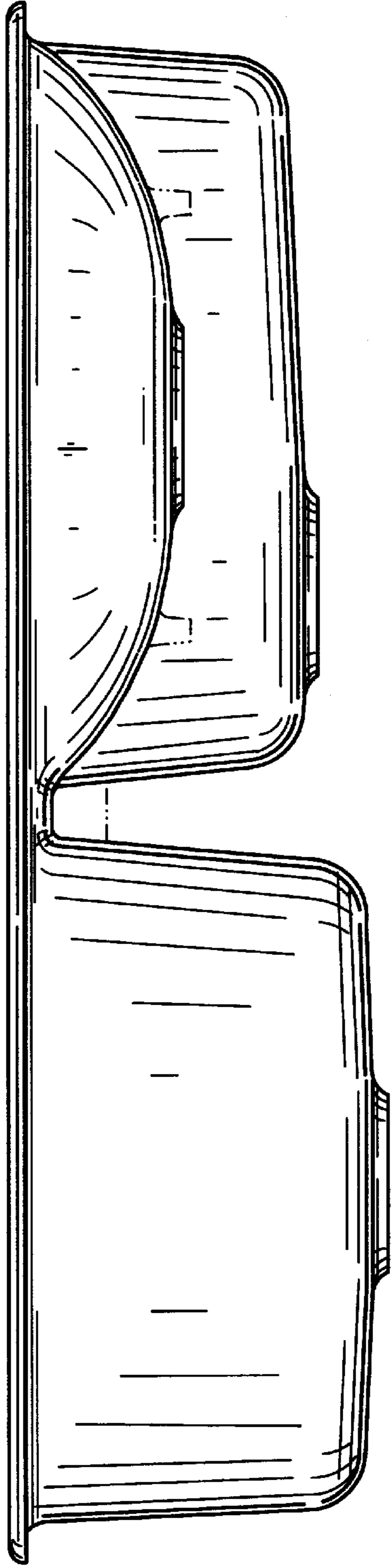


FIG. 19

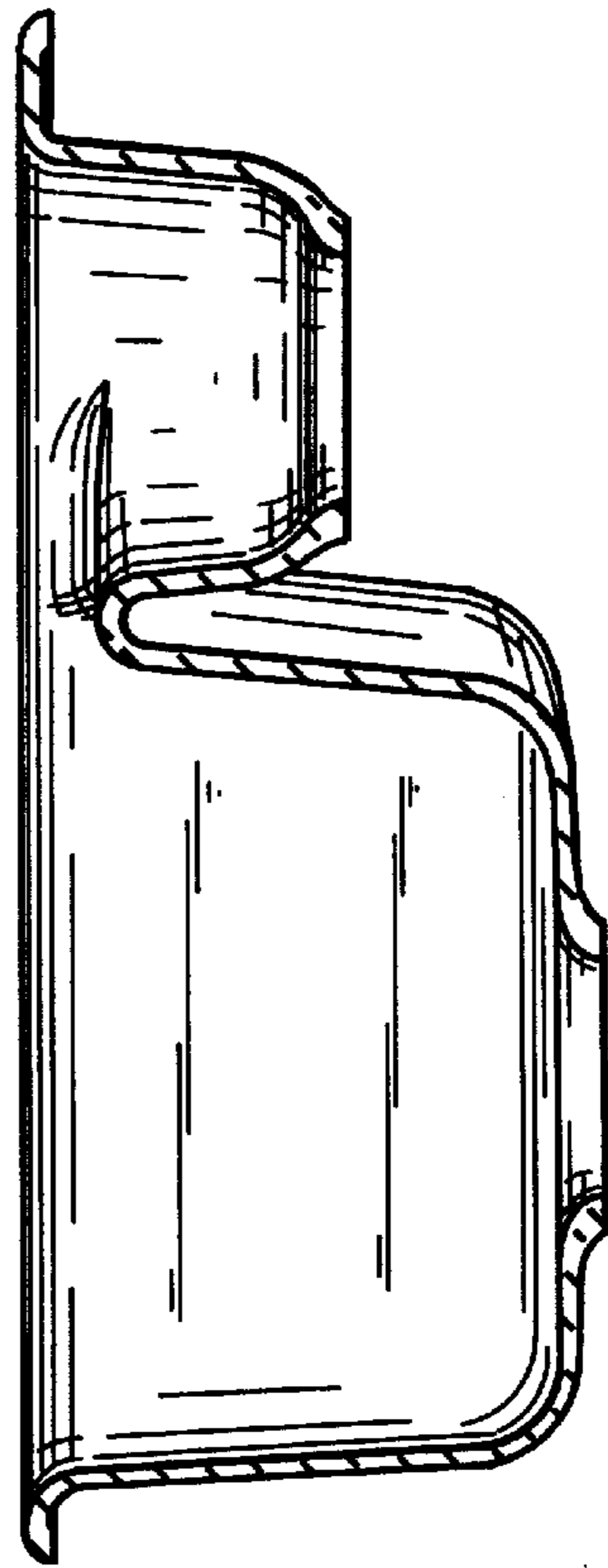


FIG. 16

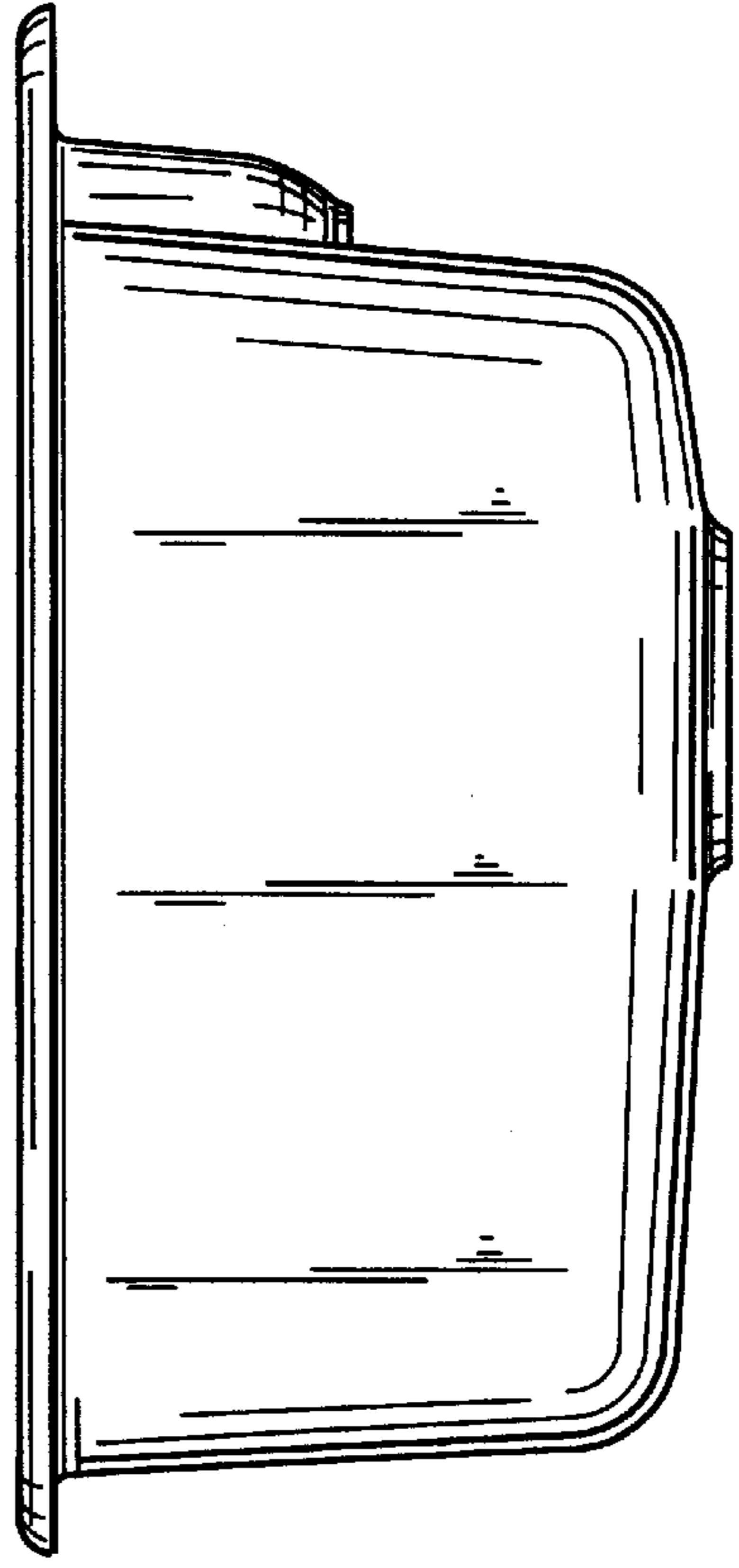


FIG. 17

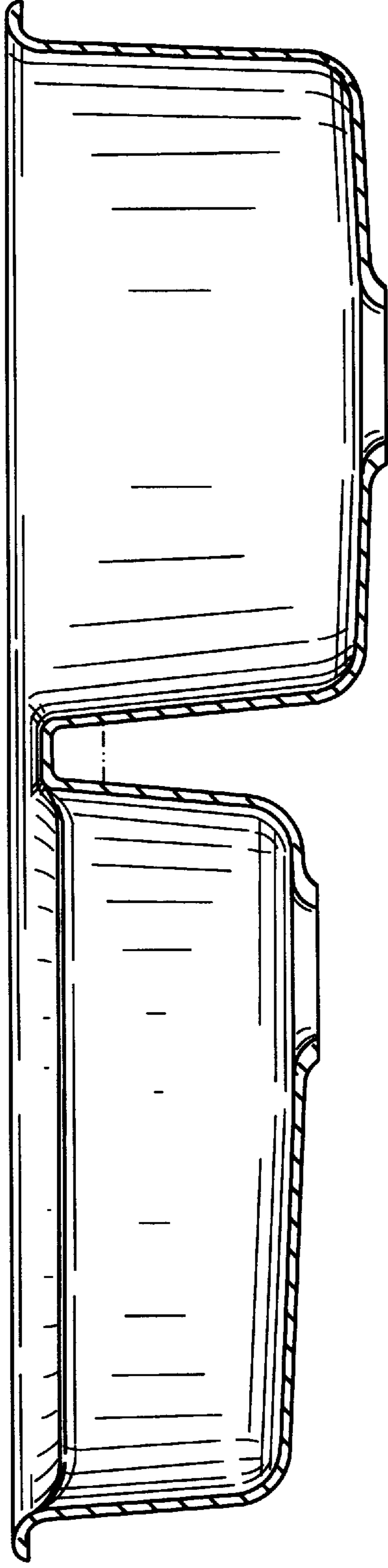


FIG. 18

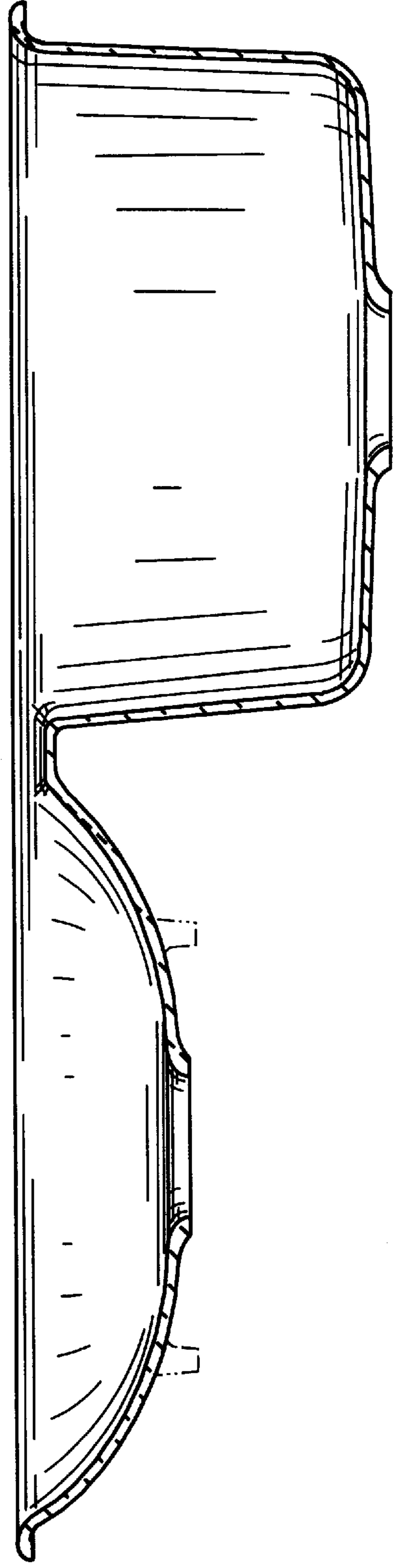


FIG. 20

