



US00D420726S

**United States Patent** [19]  
**Slothower et al.**

[11] **Patent Number: Des. 420,726**  
[45] **Date of Patent: \*\* Feb. 15, 2000**

[54] **FAUCET**

[75] Inventors: **Erich D. Slothower; David J. O'Connell**, both of Sheboygan, Wis.

[73] Assignee: **Kohler Co.**, Kohler, Wis.

[\*\*] Term: **14 Years**

[21] Appl. No.: **29/103,261**

[22] Filed: **Apr. 12, 1999**

[51] **LOC (7) Cl.** ..... **23-01**

[52] **U.S. Cl.** ..... **D23/257**

[58] **Field of Search** ..... D23/238-243,  
D23/250-257; 4/675-678, 615; 137/801;  
134/172

[56] **References Cited**

**U.S. PATENT DOCUMENTS**

D. 276,259	11/1984	Miller	.....	D23/241
D. 287,747	1/1987	Miller et al.	.....	D23/255
D. 312,300	11/1990	Joerger	.....	D23/241
D. 320,645	10/1991	Knapp et al.	.....	D23/238
D. 323,700	2/1992	Wilde	.....	D23/241
D. 327,944	7/1992	Stairs, Jr. et al.	.....	D23/255
D. 331,276	11/1992	Knapp	.....	D23/238
D. 337,812	7/1993	Bray	.....	D23/238
D. 351,218	10/1994	Sieger	.....	D23/241
D. 352,095	11/1994	Bollenbacher	.....	D23/255

D. 376,413	12/1996	Kergoet	.....	D23/238
D. 398,963	9/1998	Donahue et al.	.....	D23/255
D. 406,323	3/1999	Snyder	.....	D23/255
D. 409,292	5/1999	Hyde et al.	.....	D23/255
2,971,520	2/1961	Motis et al.	.	

**OTHER PUBLICATIONS**

Kohler ad showing "Triton" faucets, undated.  
Eljer ad, undated, showing "Hi-Style" faucet.

*Primary Examiner*—Eric Watterson  
*Attorney, Agent, or Firm*—Quarles & Brady LLP

[57] **CLAIM**

The ornamental design for a faucet, as shown and described.

**DESCRIPTION**

FIG. 1 is a left, top, front perspective view of a faucet embodying our new design;  
FIG. 2 is a front elevational view thereof;  
FIG. 3 is a left side elevational view thereof;  
FIG. 4 is a rear elevational view thereof;  
FIG. 5 is a right side elevational view thereof;  
FIG. 6 is a top plan view thereof; and,  
FIG. 7 is a bottom plan view thereof.  
The broken line representations of a mounting environment in FIG. 1, of holes in FIGS. 2 and 7, and of mounting structure in FIG. 7, are for the purpose of illustration only, and form no part of the claimed design.

**1 Claim, 5 Drawing Sheets**

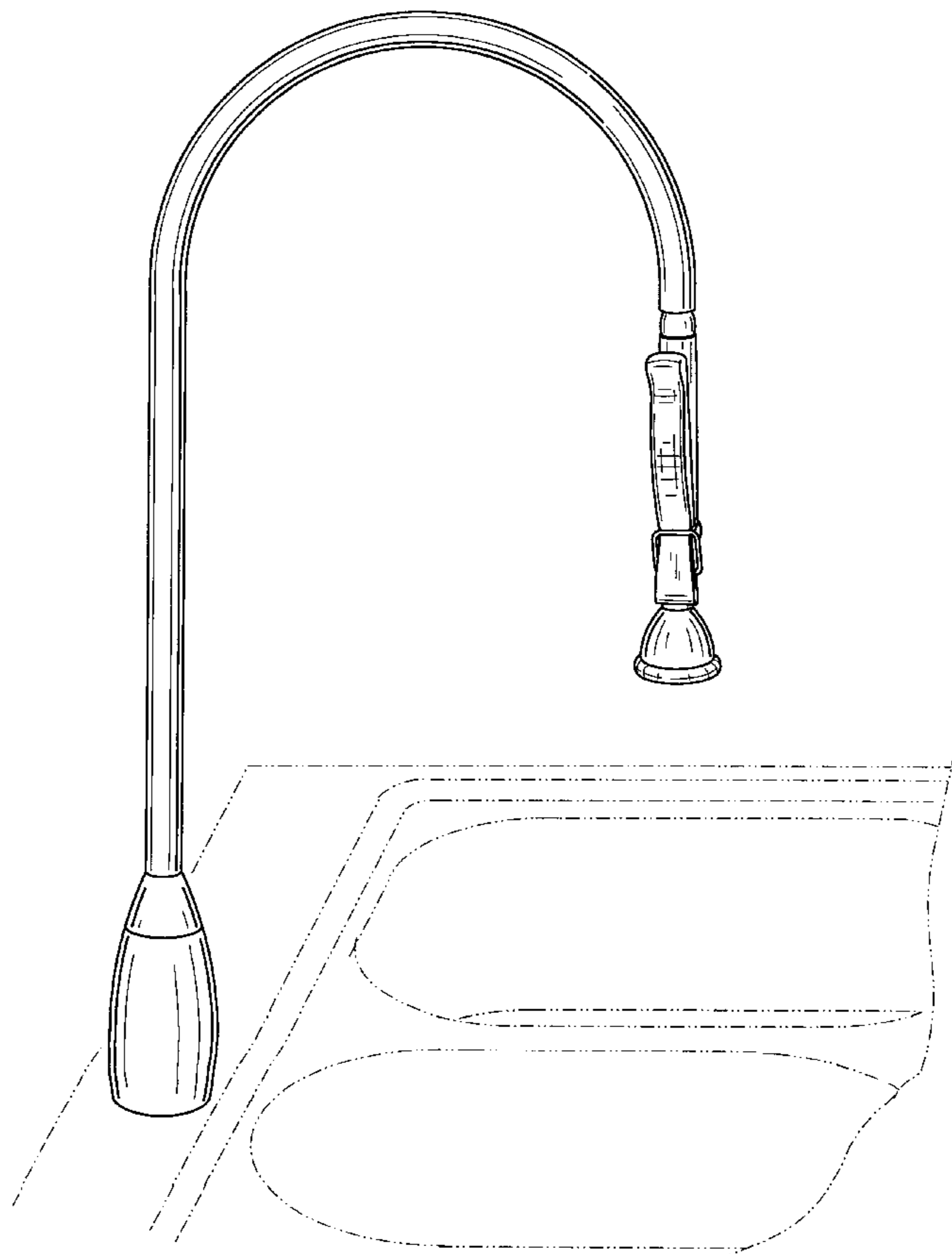


FIG. 1

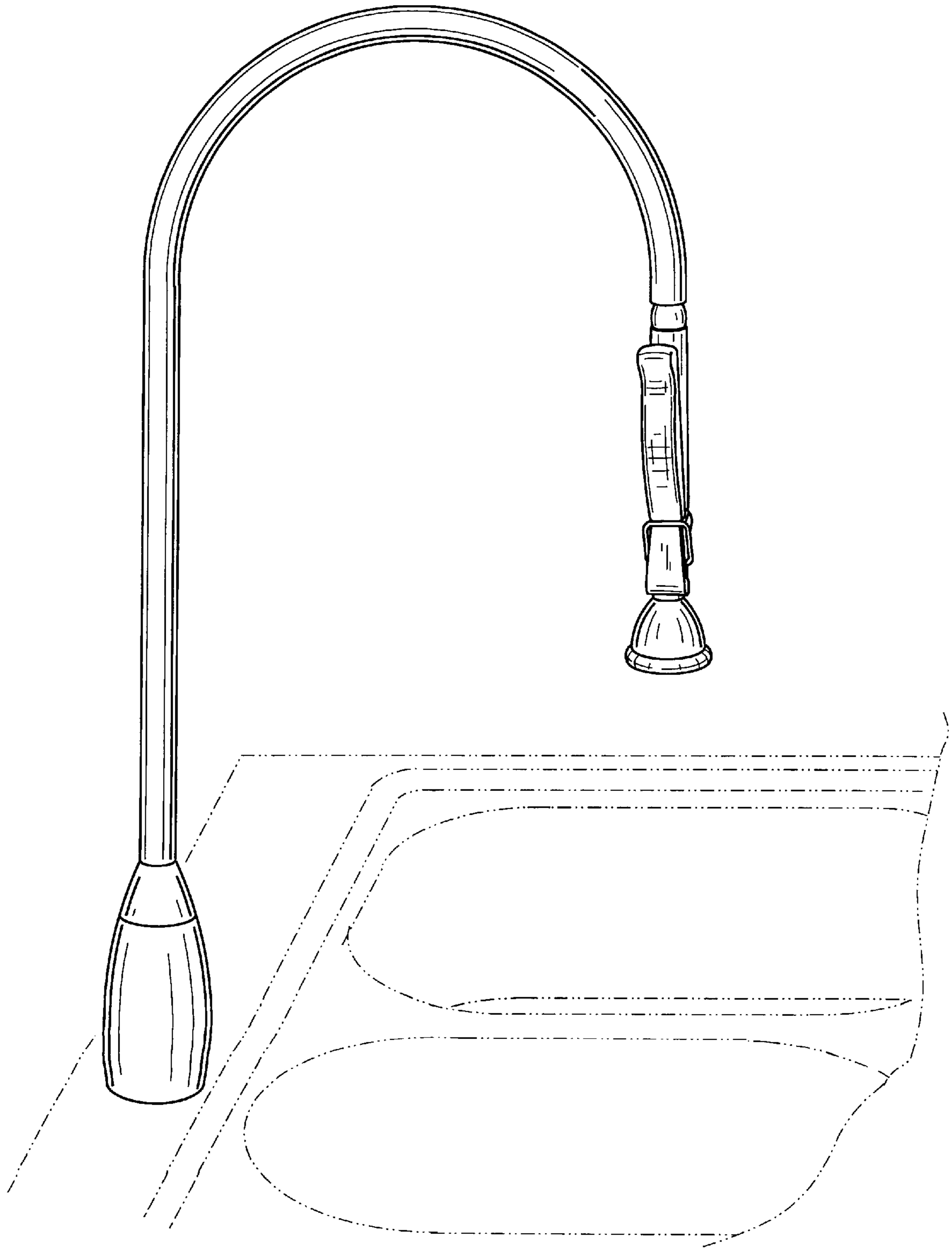


FIG. 2

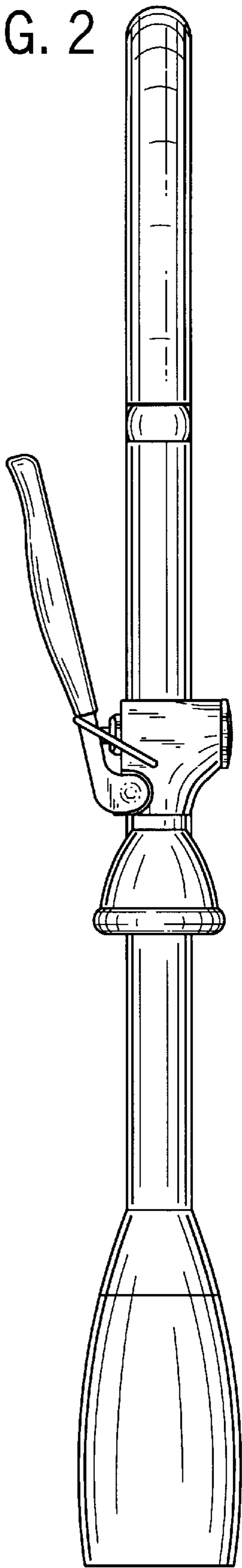


FIG. 4

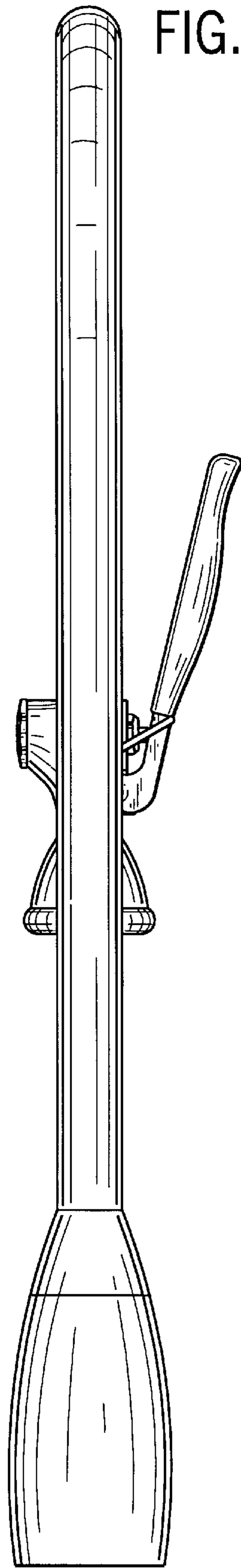


FIG. 3

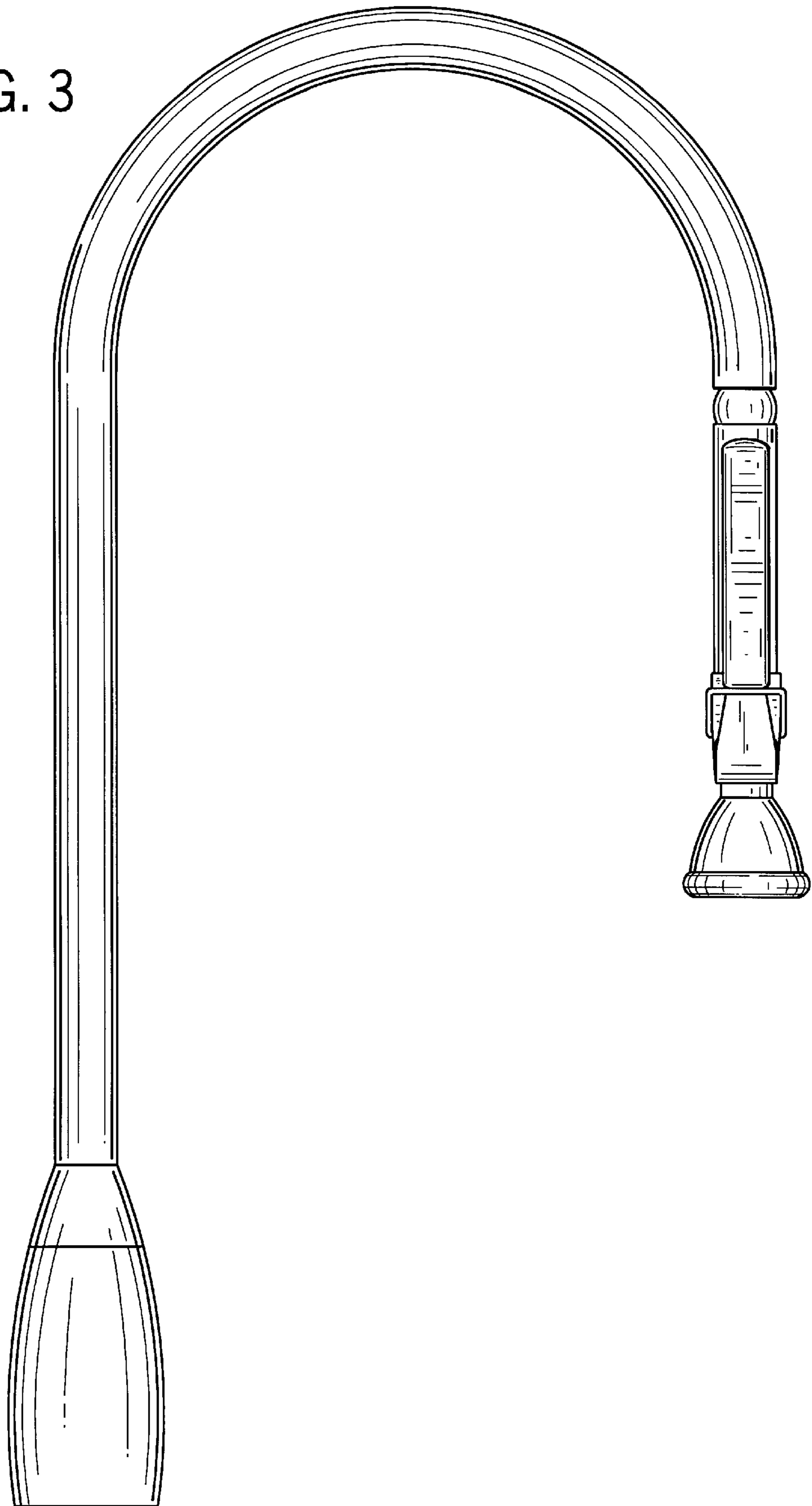


FIG. 5

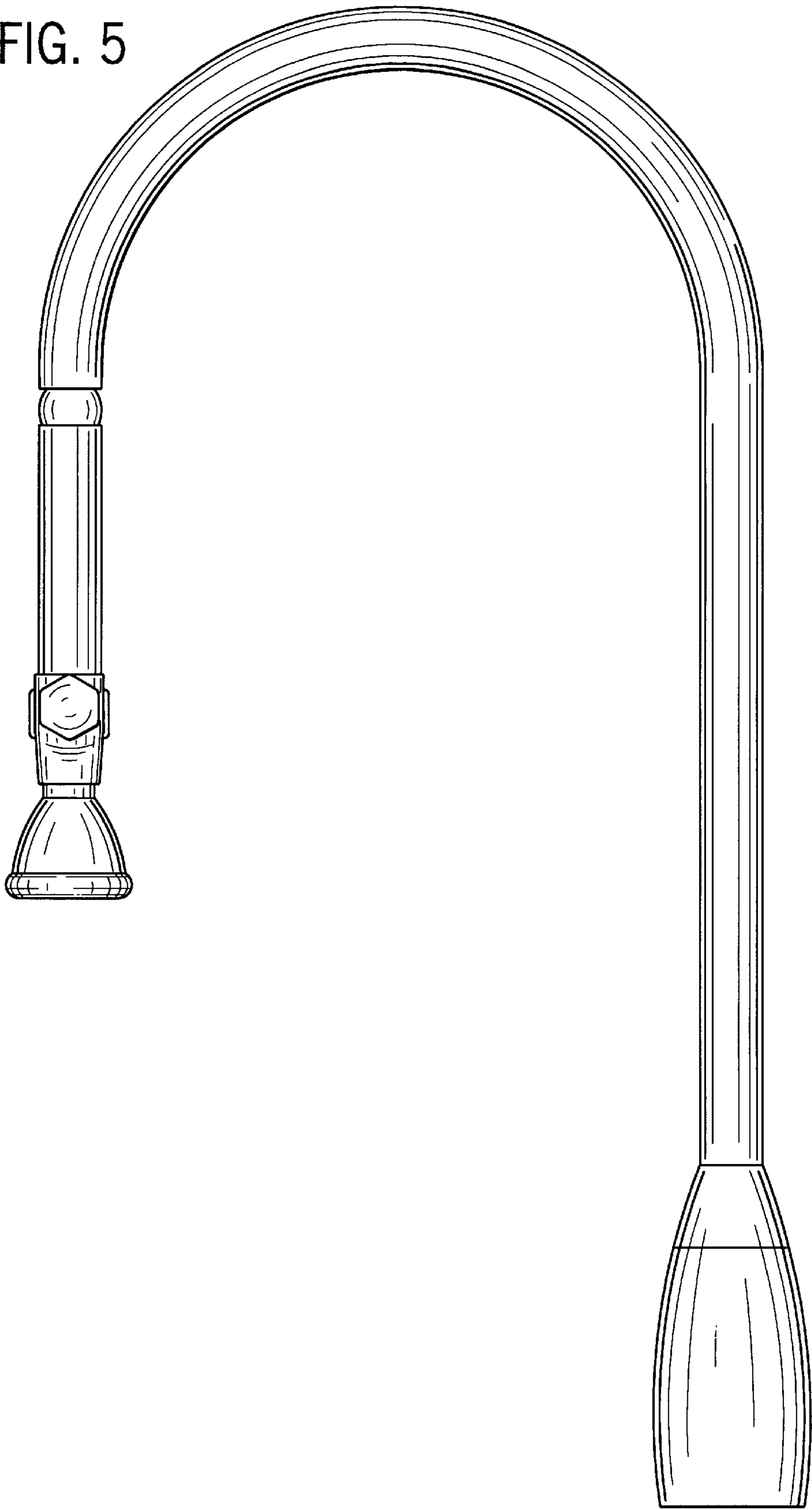


FIG. 6

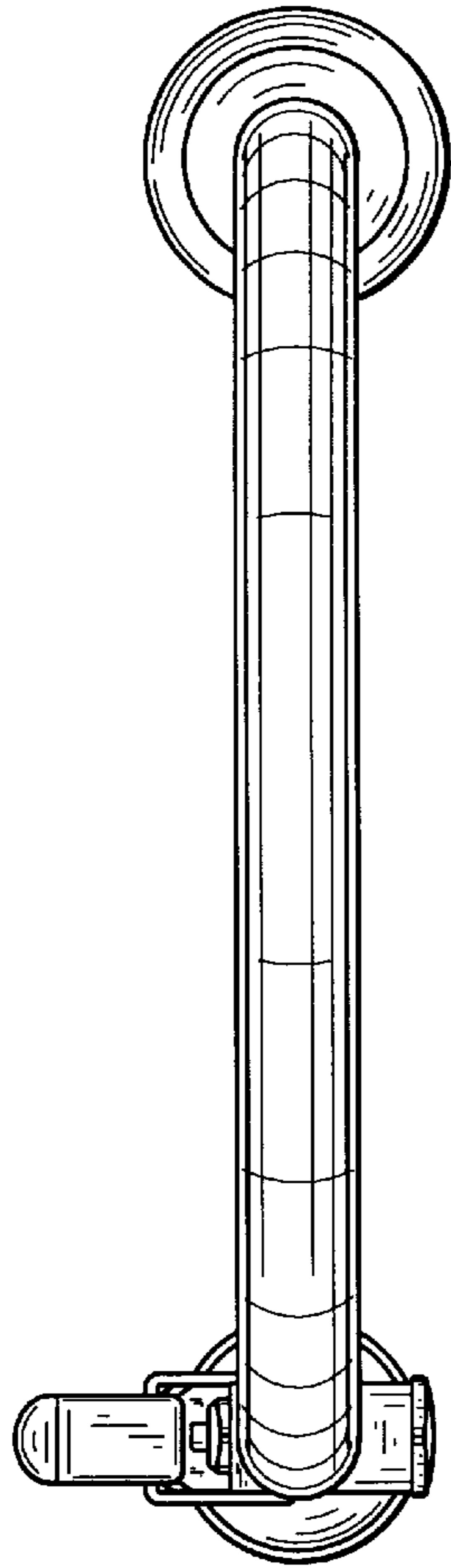


FIG. 7

