



US00D420724S

United States Patent [19] Ybarra

[11] **Patent Number: Des. 420,724**

[45] **Date of Patent: ** Feb. 15, 2000**

[54] **WATERFLOW CONTROL VALVE**

[76] Inventor: **Alberto Ybarra**, 5706 China Berry,
Austin, Tex. 78744

[**] Term: **14 Years**

[21] Appl. No.: **29/102,426**

[22] Filed: **Mar. 25, 1999**

[51] **LOC (7) Cl. 23-01**

[52] **U.S. Cl. D23/254**

[58] **Field of Search D23/250-254,
D23/303-311, 300-308, 675-678, 110 R-121,
DIG. 24, DIG. 30**

[56] **References Cited**

U.S. PATENT DOCUMENTS

D. 303,839	10/1989	Fitzpatrick et al.	D24/194
D. 345,004	3/1994	Bengtson	D23/254
D. 363,765	10/1995	Starck	D23/254
D. 393,895	4/1998	Gottwald	D23/254
D. 397,771	9/1998	Lobermeier	D23/254

D. 402,006	12/1998	Hill et al.	D23/254
D. 402,009	12/1998	Gottwald	D23/254

Primary Examiner—Eric Watterson

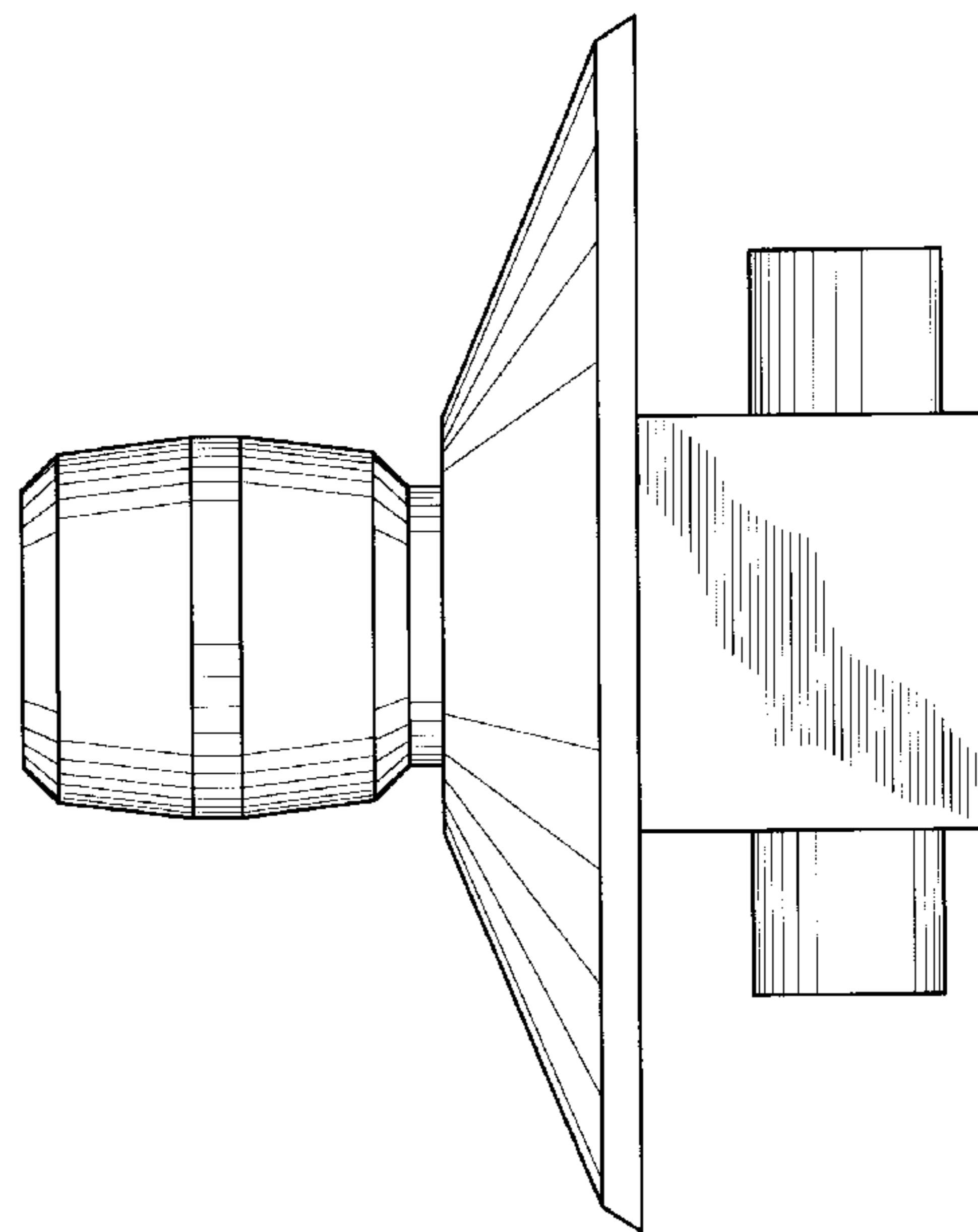
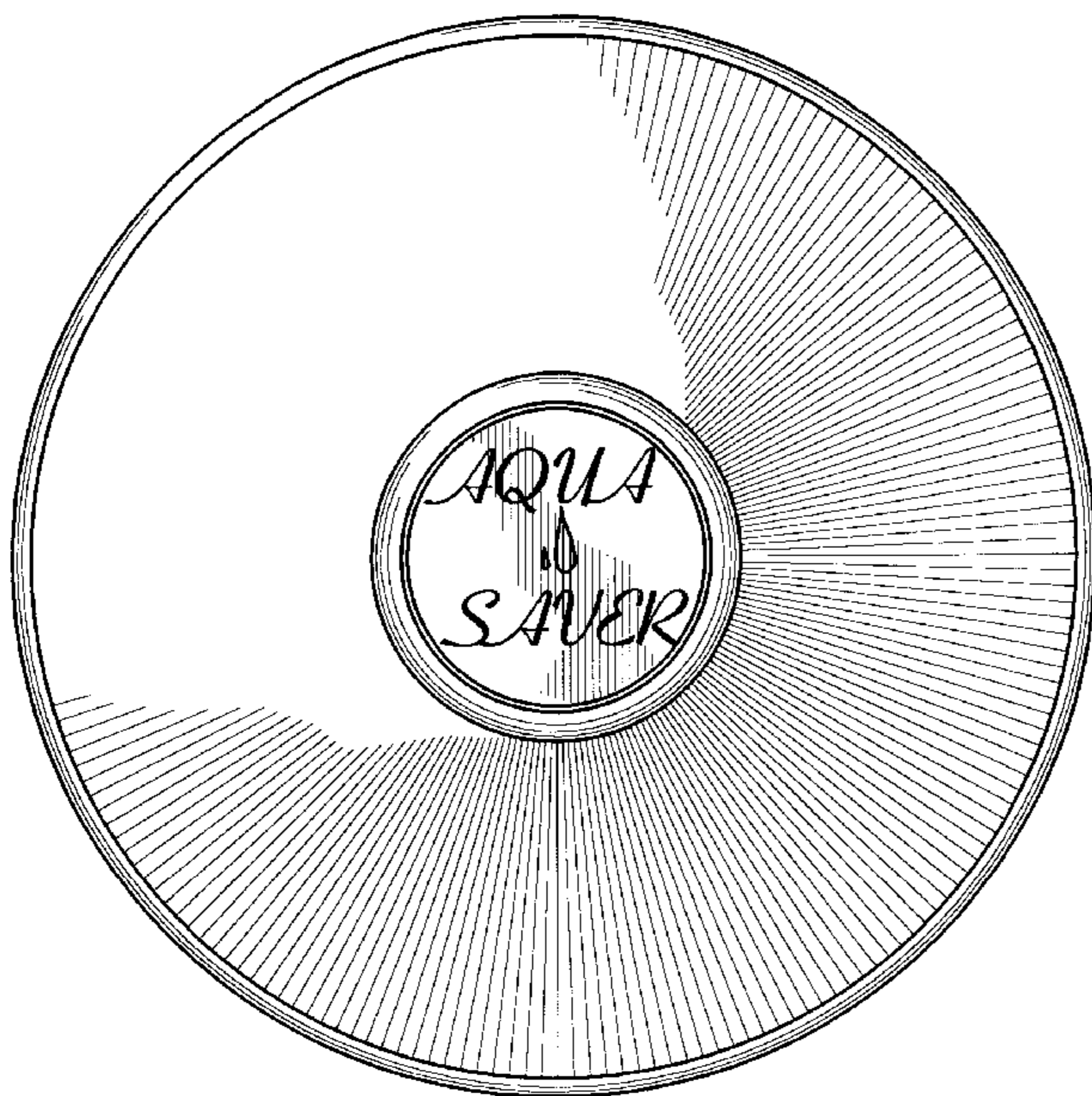
[57] **CLAIM**

The ornamental design for a waterflow control valve, as shown.

DESCRIPTION

FIG. 1 is a front elevational view of the waterflow control valve of the present invention;
 FIG. 2 is a back elevational view of the waterflow control valve of FIG. 1;
 FIG. 3 is a left side elevational view of the waterflow control valve of FIG. 1;
 FIG. 4 is a right side elevational view of the waterflow control valve of FIG. 1;
 FIG. 5 is a top plan view of the waterflow control valve of FIG. 1; and,
 FIG. 6 is a bottom plan view of the waterflow control valve of FIG. 1.

1 Claim, 3 Drawing Sheets



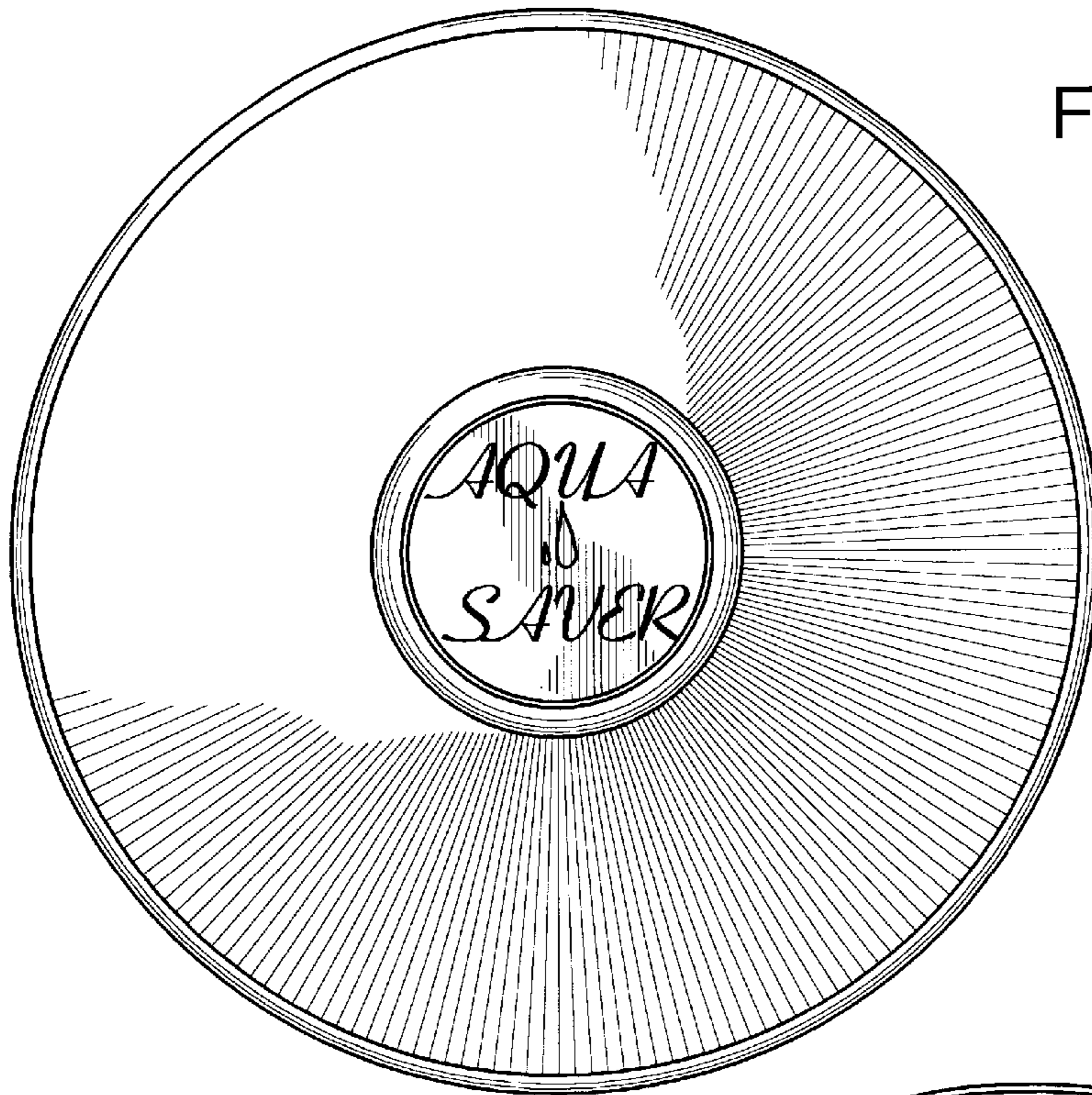


FIG. 1

FIG. 2

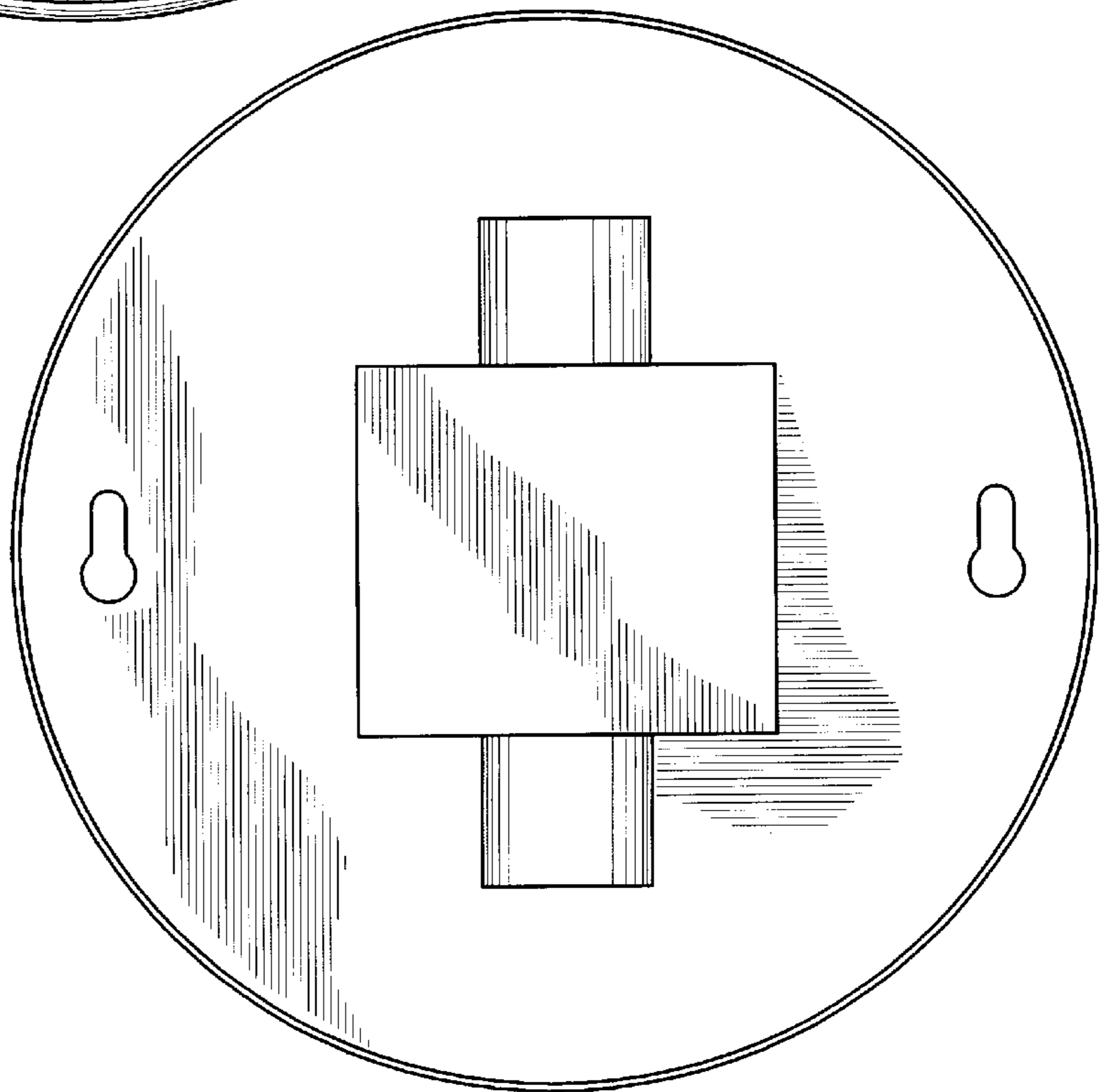


FIG. 3

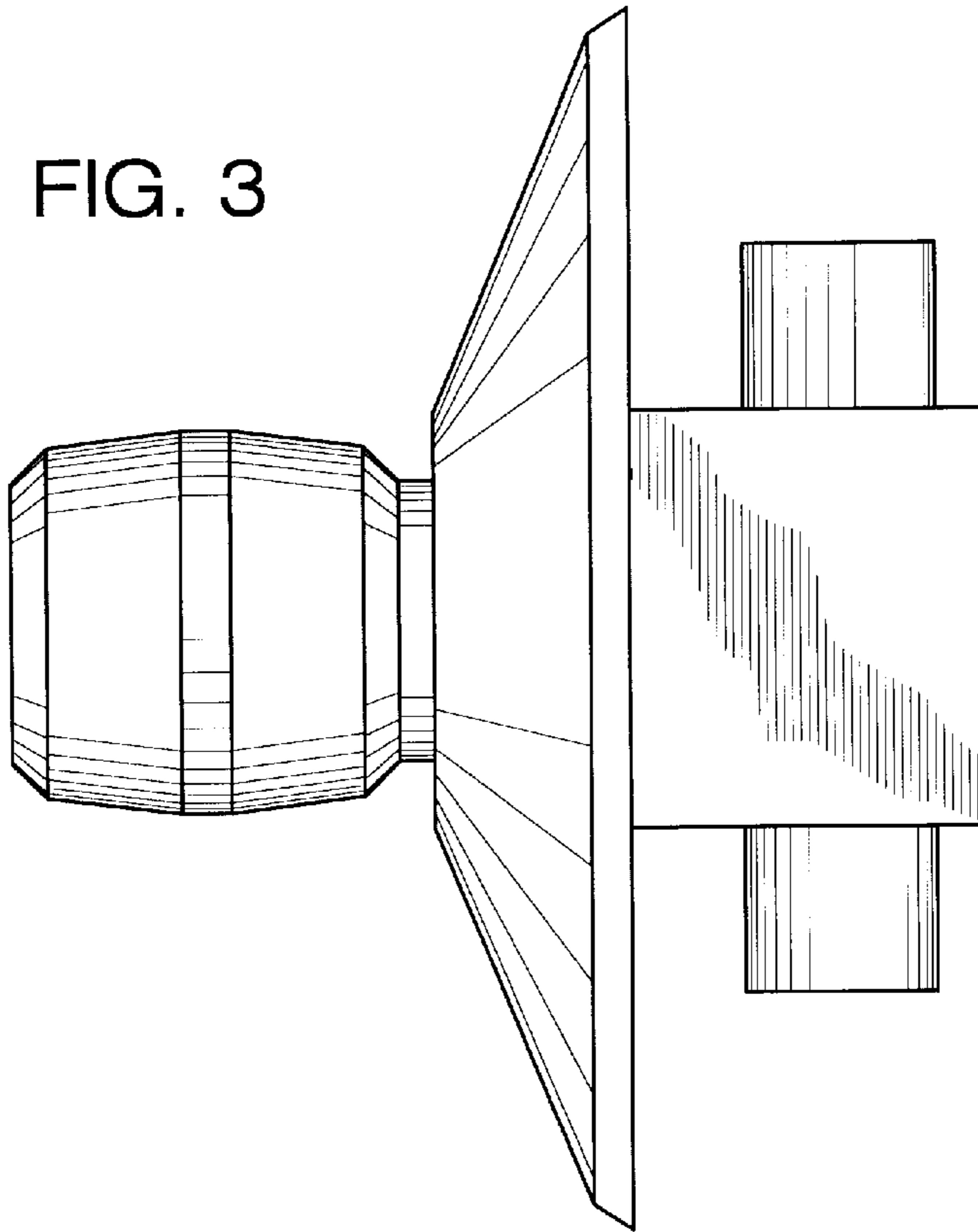


FIG. 4

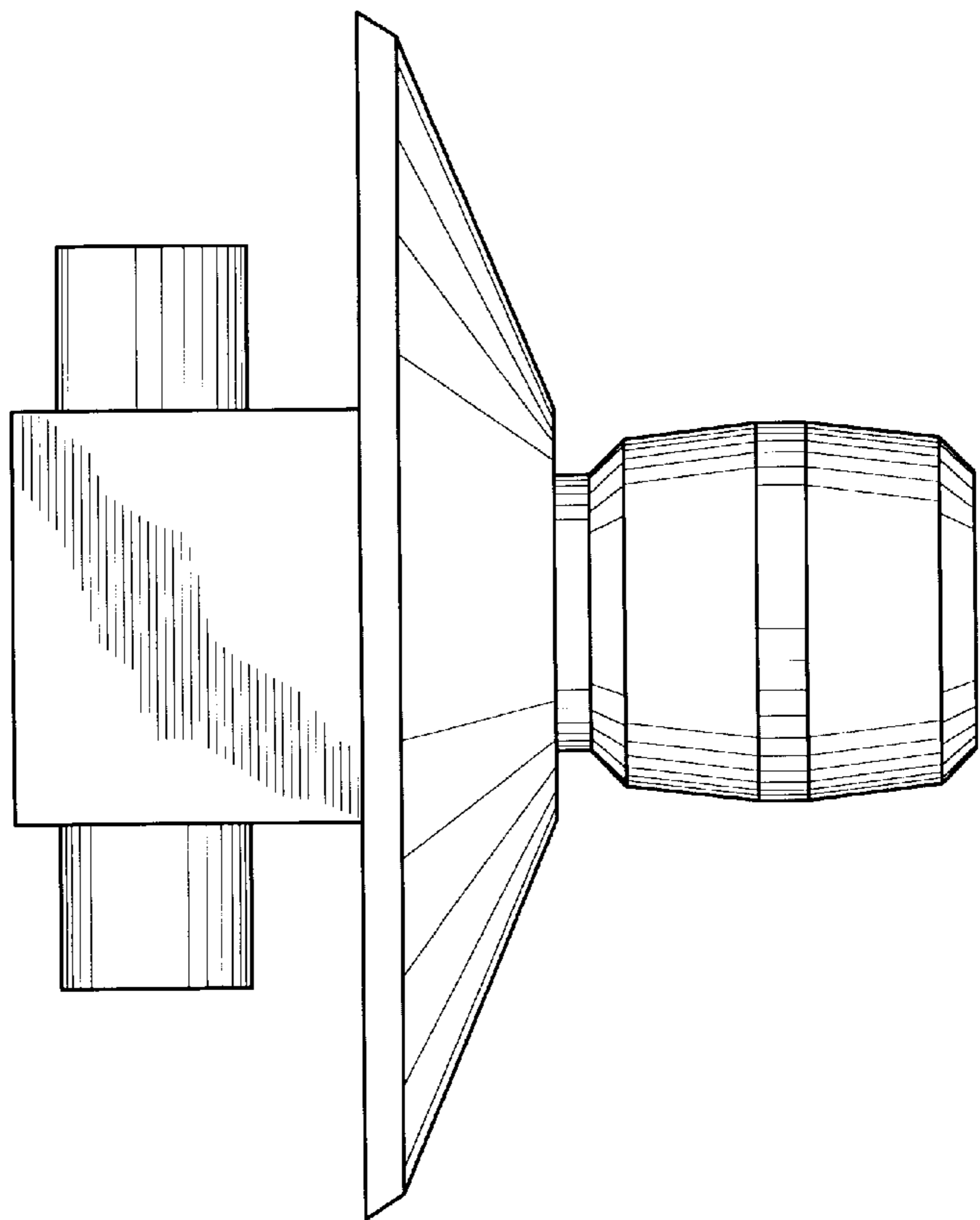


FIG. 5

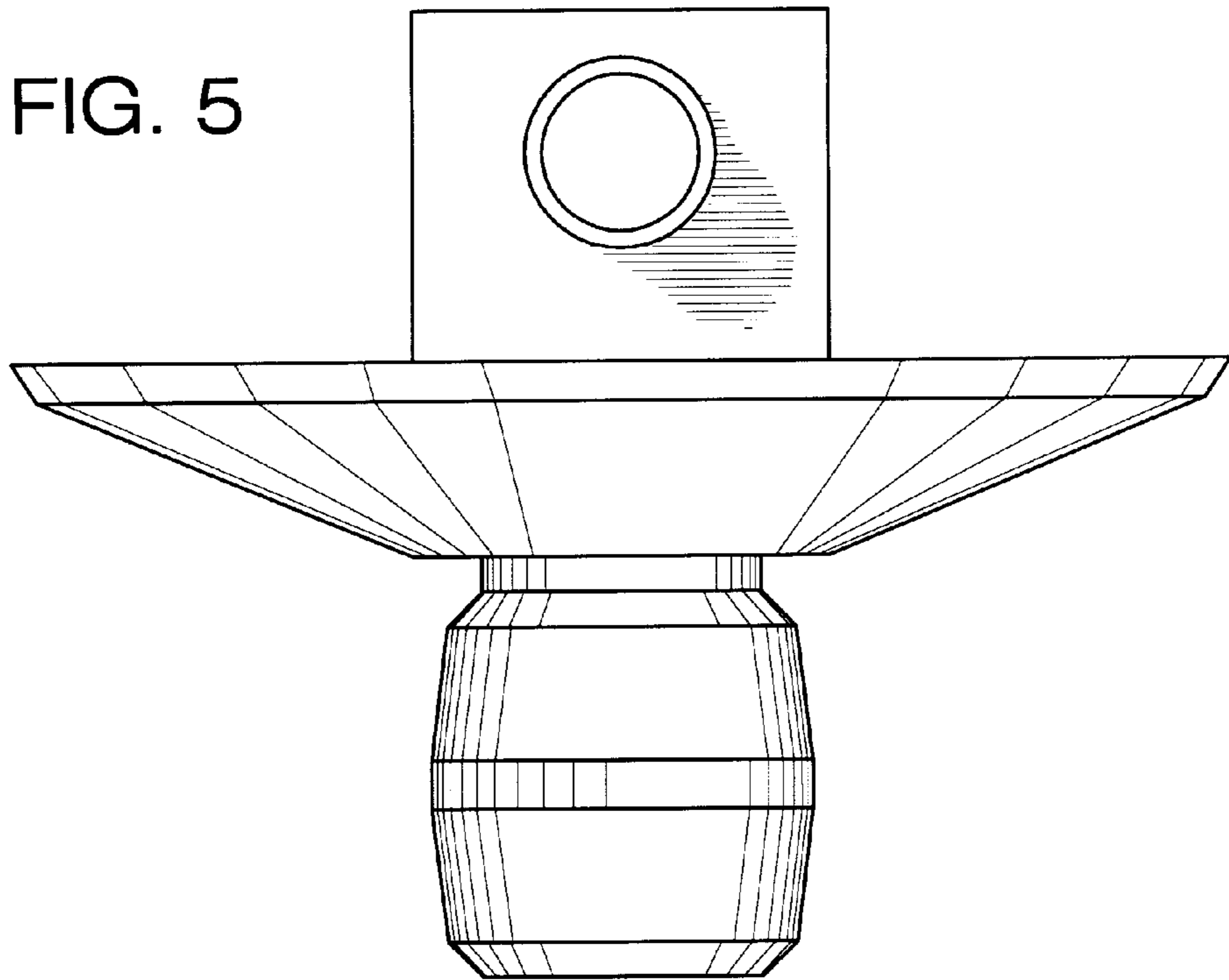


FIG. 6

