



US00D420722S

# United States Patent [19] Blount

[11] Patent Number: Des. 420,722

[45] Date of Patent: \*\* Feb. 15, 2000

[54] WATER DISPLAY SYSTEM

5,683,174 11/1997 Lena, Jr. .

[76] Inventor: Stanley L. Blount, 6005 Golden Saddle St., Las Vegas, Nev. 89130

### OTHER PUBLICATIONS

Application serial No. 09/216,889, a utility application filed by the applicant on Dec. 18, 1998.

[\*\*] Term: 14 Years

Primary Examiner—Robin V. Taylor  
Attorney, Agent, or Firm—Kenneth L Tolar

[21] Appl. No.: 29/103,440

[22] Filed: Apr. 13, 1999

### [57] CLAIM

[51] LOC (7) Cl. .... 23-01

The ornamental design for a water display system, as shown and described.

[52] U.S. Cl. .... D23/201

[58] Field of Search ..... D23/200, 201;  
239/16-21; 40/406, 407, 439

### DESCRIPTION

### [56] References Cited

#### U.S. PATENT DOCUMENTS

D. 192,406	3/1962	Coates	.....	D23/201
D. 394,487	5/1998	Wilson	.....	D23/201
3,644,726	2/1972	Pfeuffer	.....	40/406
4,265,402	5/1981	Tsai	.....	239/20
4,693,025	9/1987	Landin	.	
4,892,250	1/1990	Fuller et al.	.....	239/18
5,106,660	4/1992	Vorel	.	
5,167,993	12/1992	Aoyagi	.	
5,228,225	7/1993	Lee	.....	40/439
5,288,018	2/1994	Chikazumi	.....	239/20
5,363,577	11/1994	Fuller et al.	.	
5,636,669	6/1997	Price	.	

FIG. 1 is a perspective view of the water display system; the catch basin, distribution equipment and piping are installed beneath the ground and are therefore not visible; a human walking underneath a portion of the display system and ground is depicted in phantom and does not form part of the claimed design.

FIG. 2 is a perspective view of the entire display system.

FIG. 3 is a top view of the display system.

FIG. 4 is a bottom view of the display system.

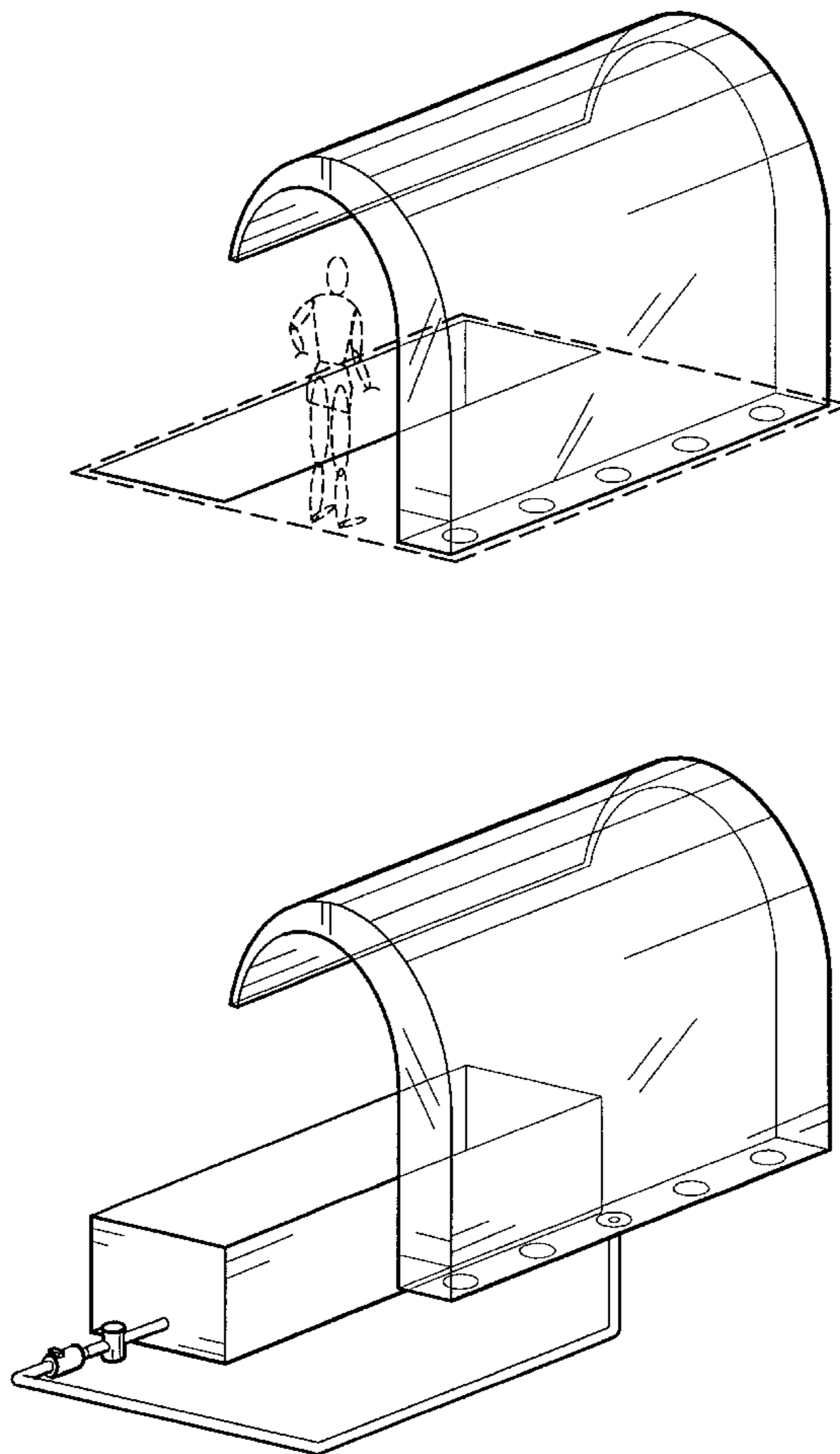
FIG. 5 is a left side view of the display system.

FIG. 6 is a right side view of the display system.

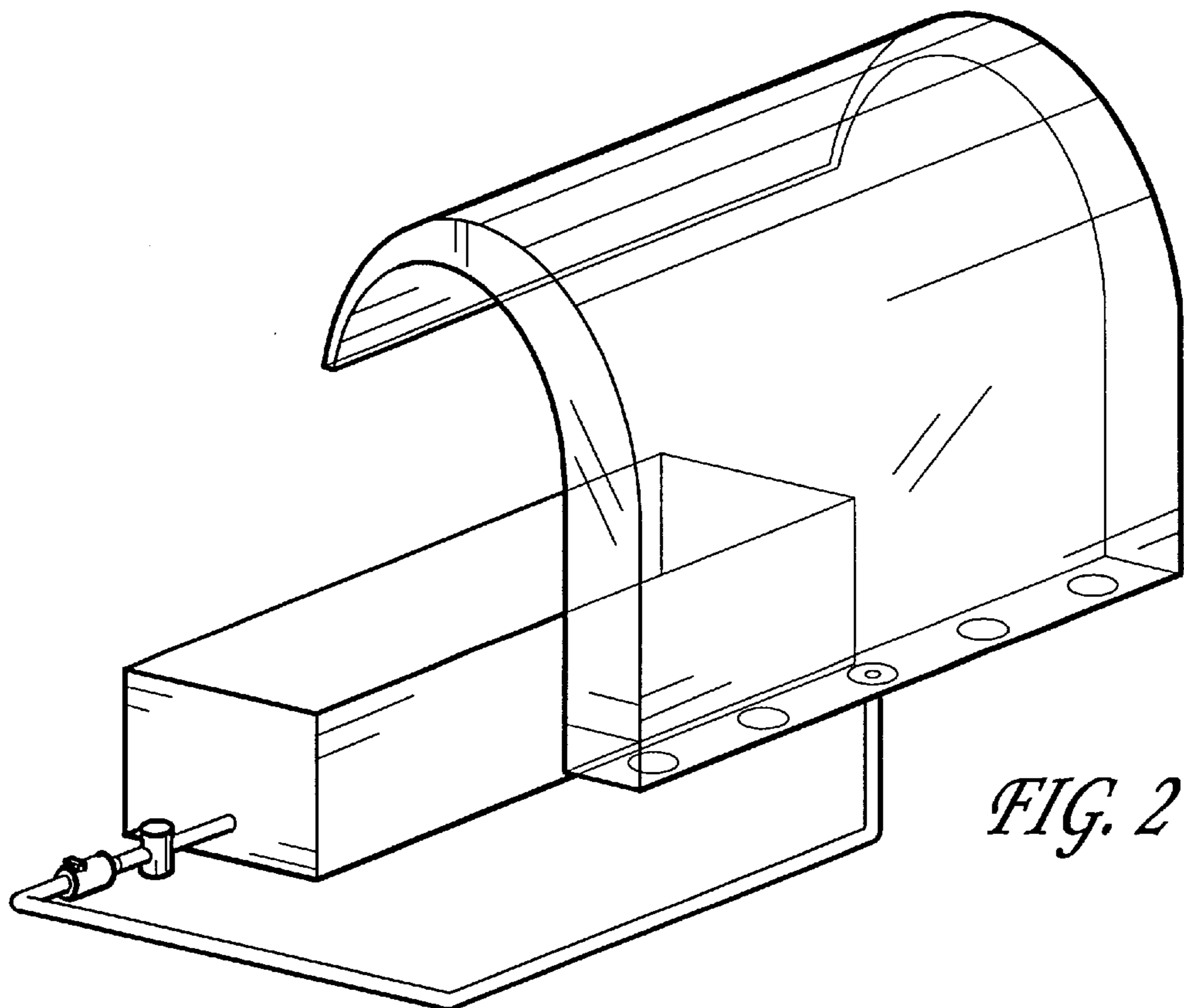
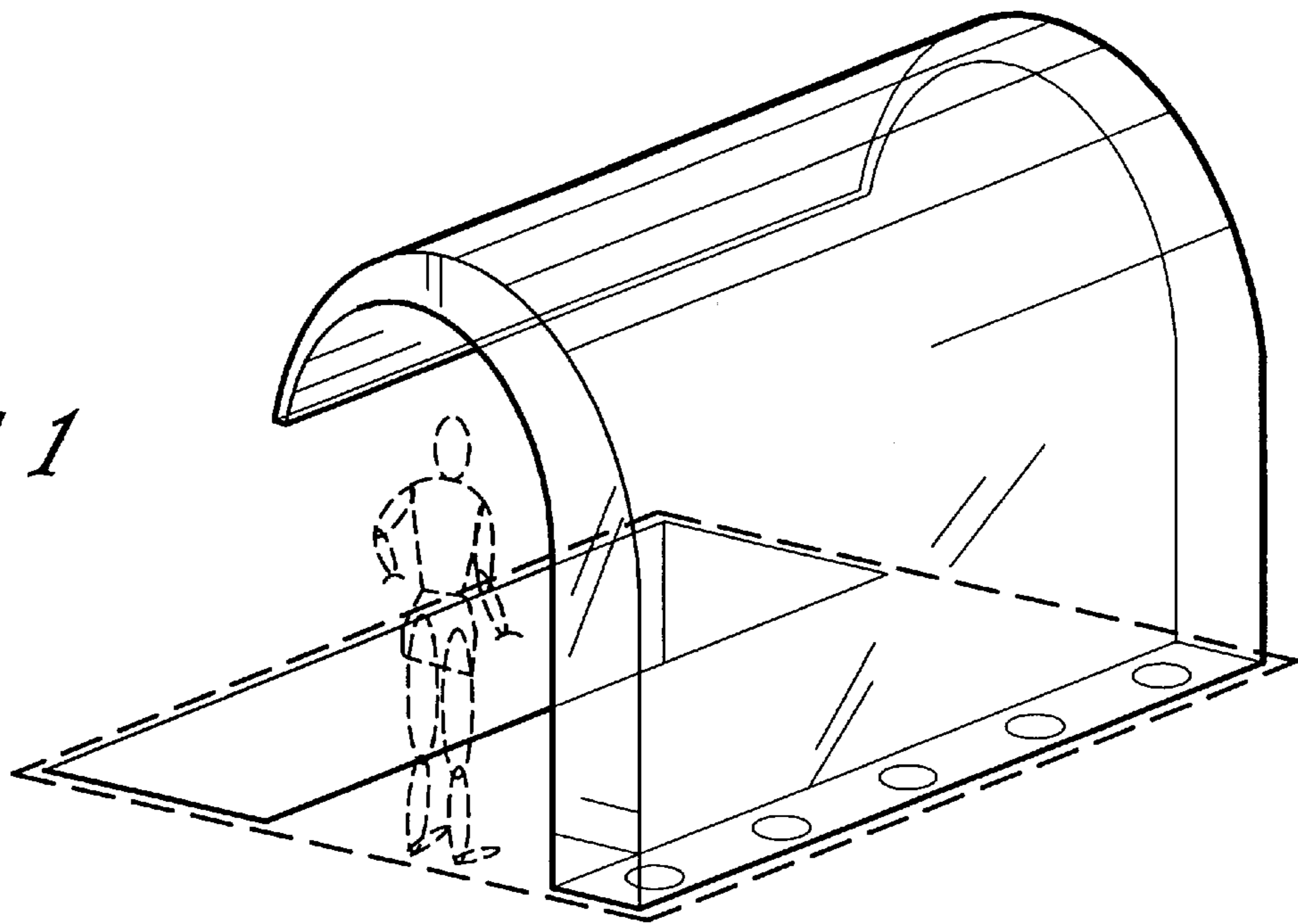
FIG. 7 is a front view of the display system; and,

FIG. 8 is a rear view of the display system.

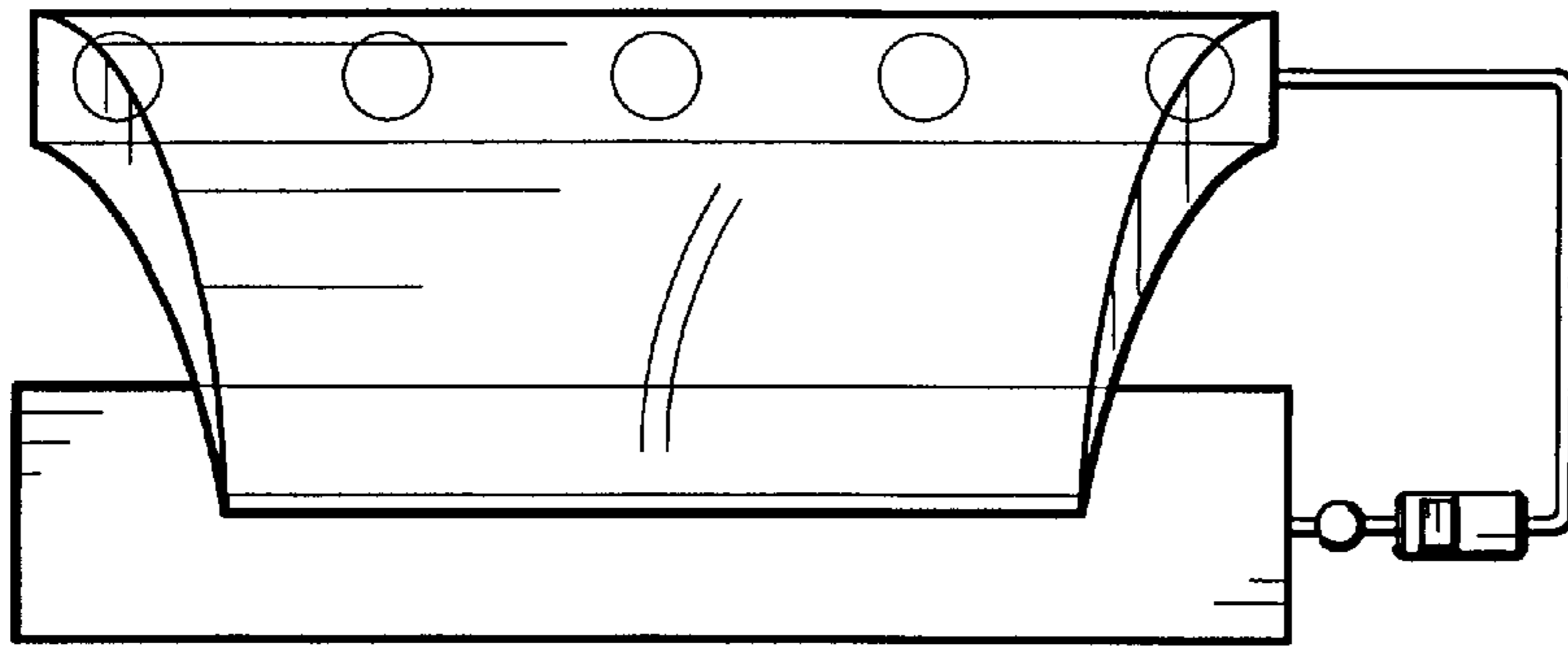
1 Claim, 3 Drawing Sheets



*FIG. 1*

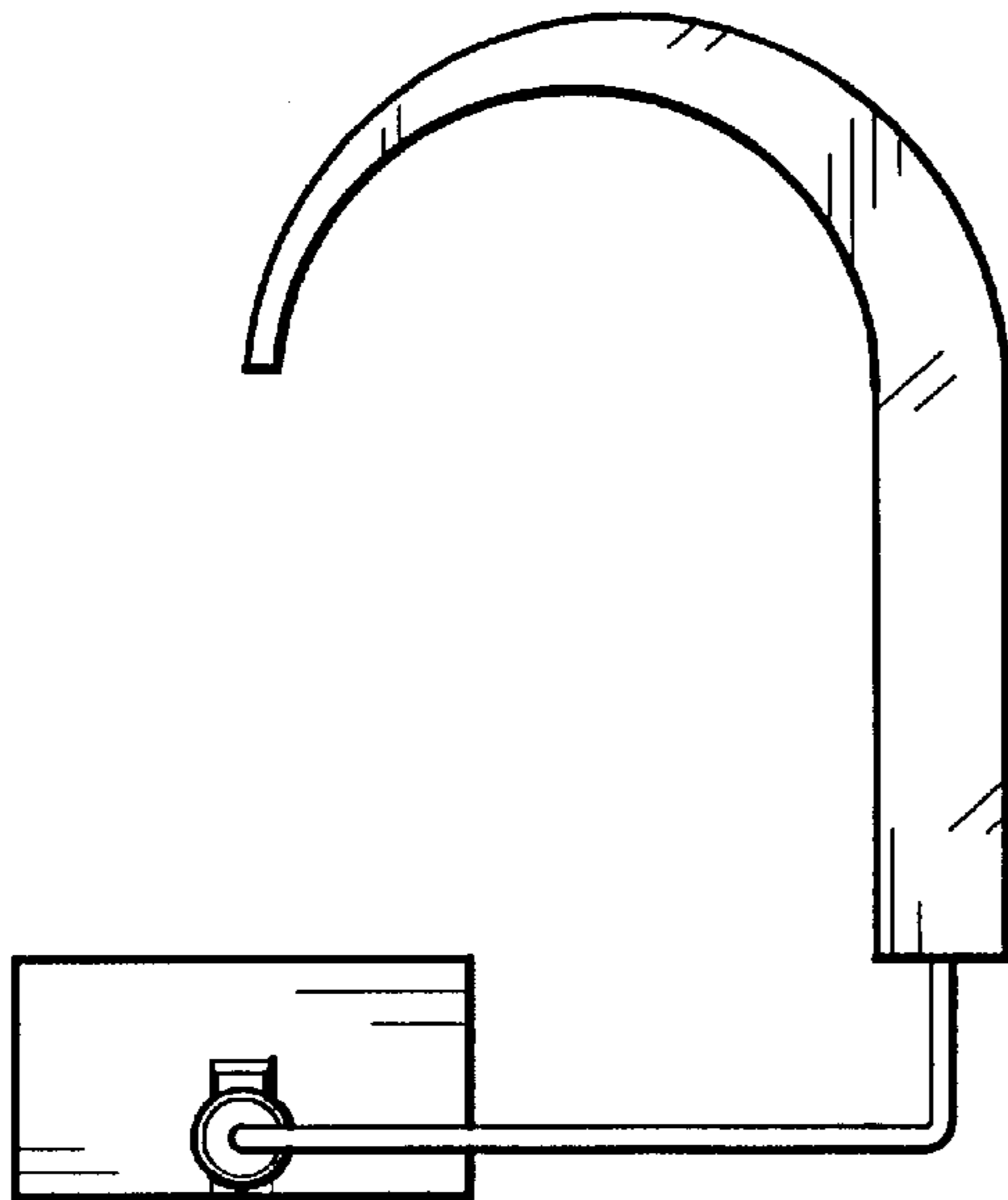
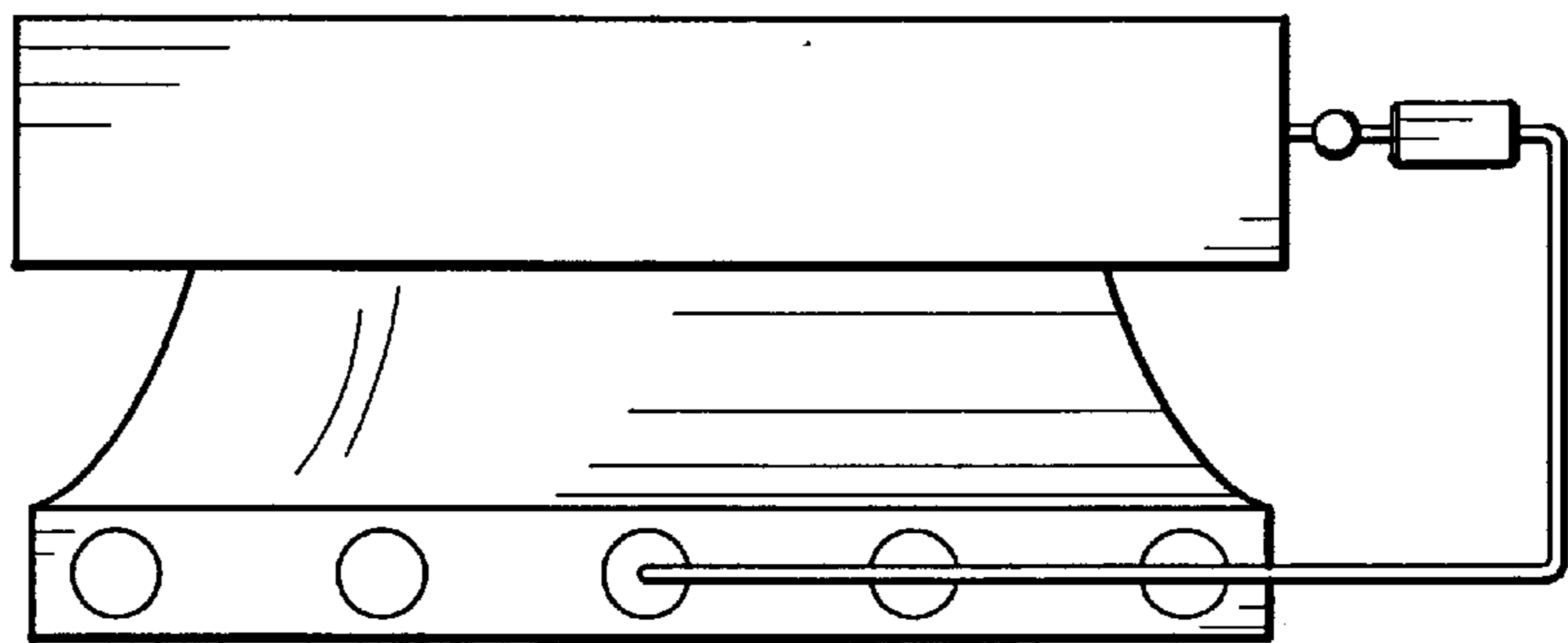


*FIG. 2*

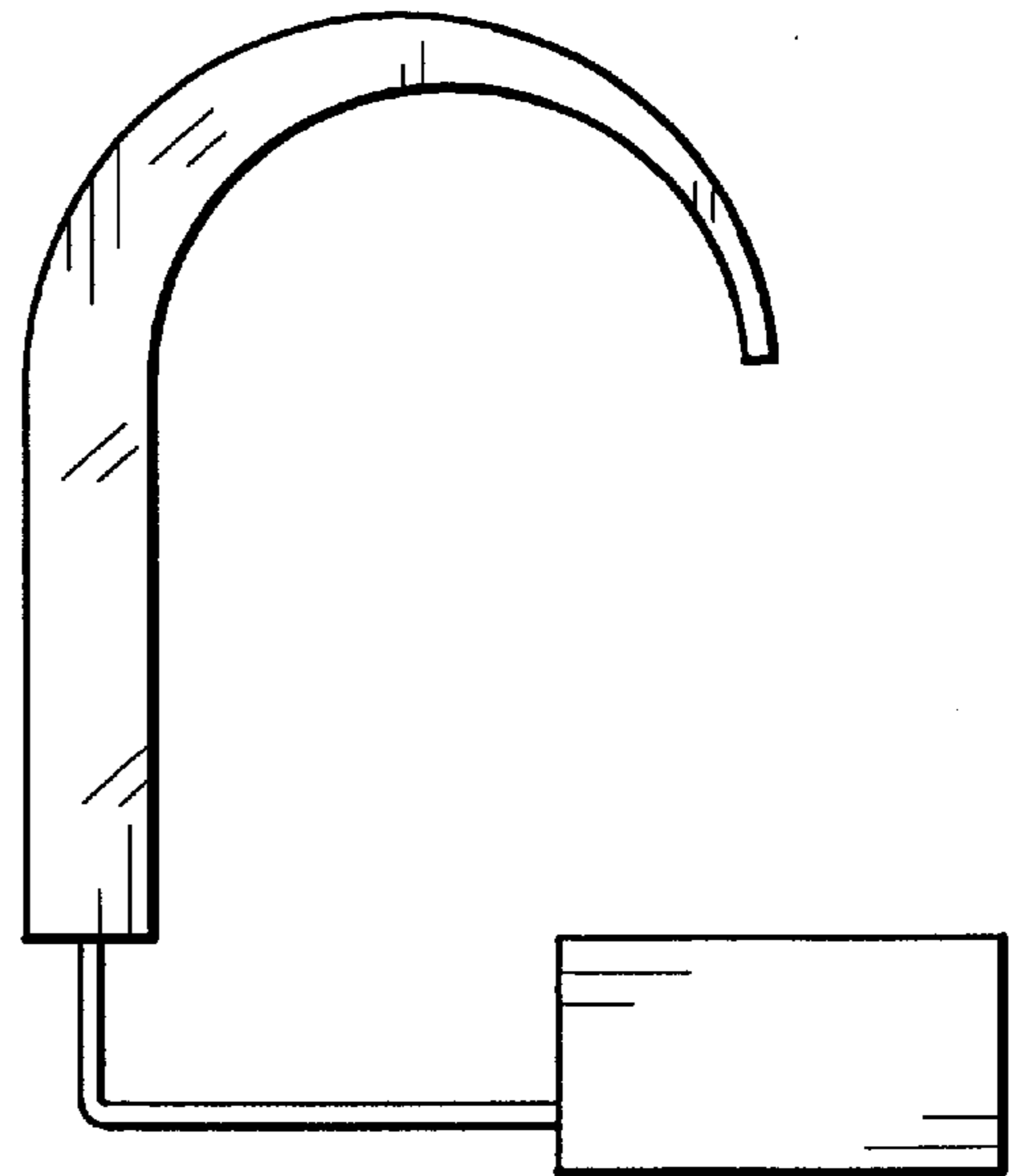


*FIG. 3*

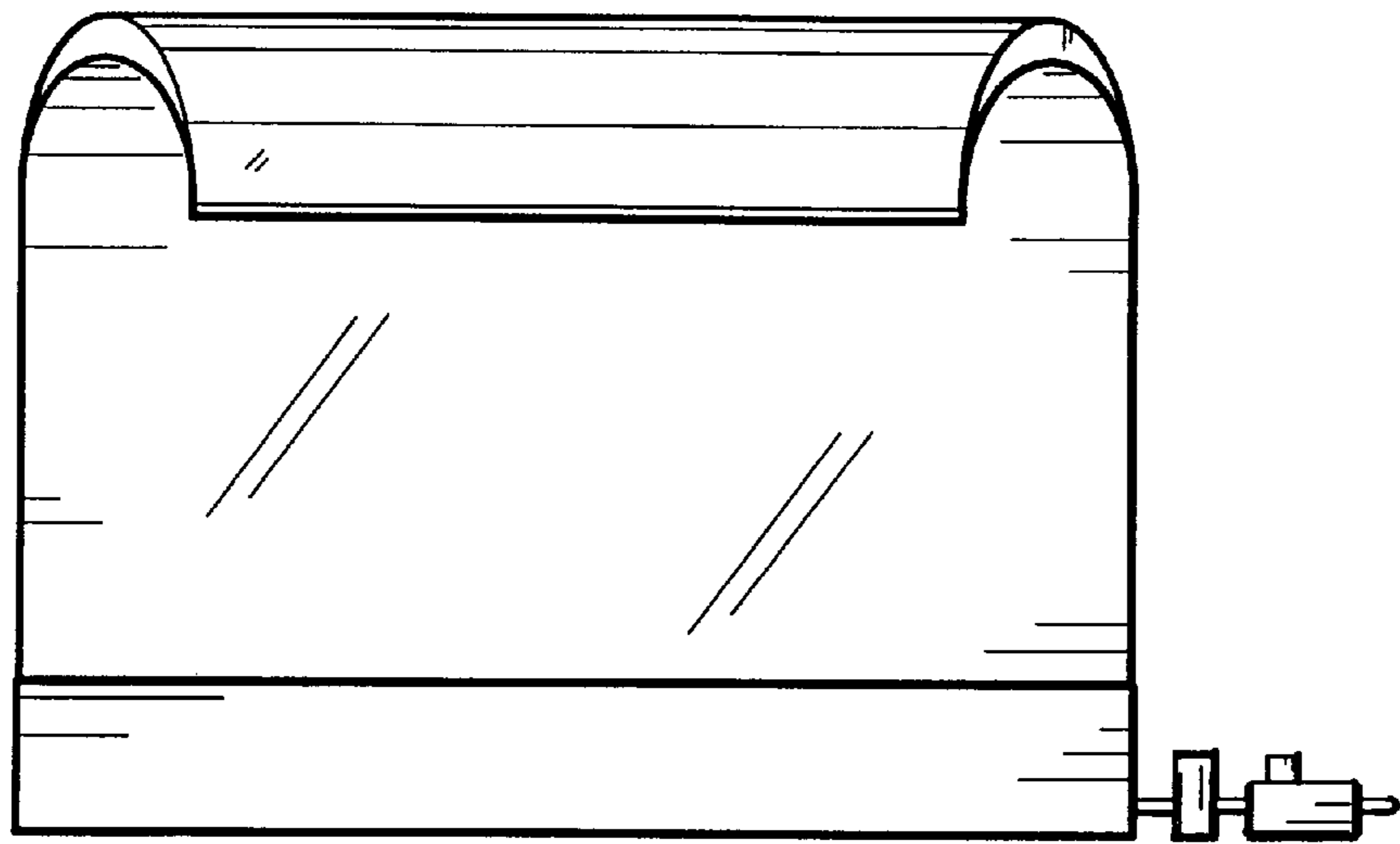
*FIG. 4*



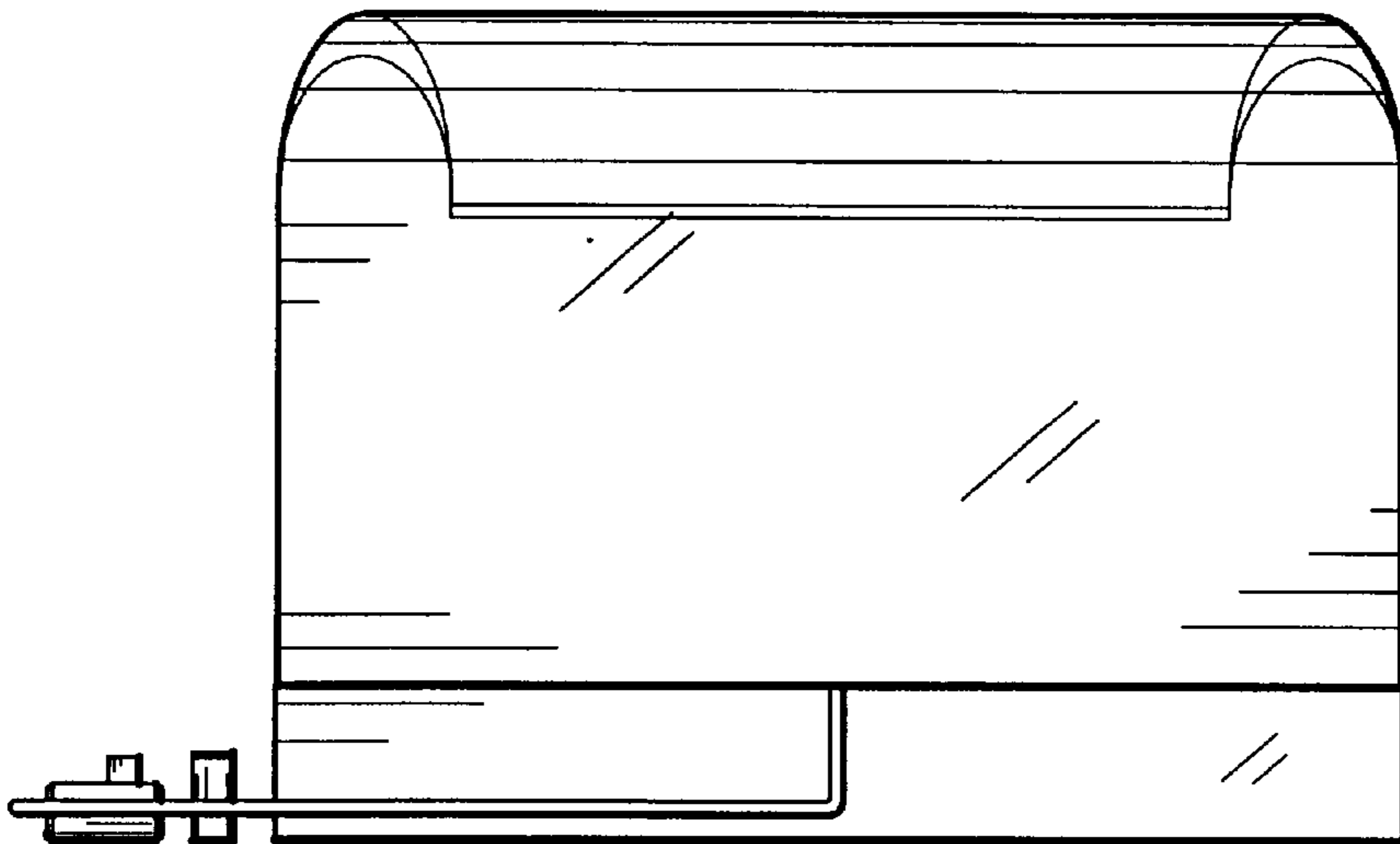
*FIG. 5*



*FIG. 6*



*FIG. 7*



*FIG. 8*