



US00D420718S

United States Patent [19]

Otteman et al.

[11] Patent Number: **Des. 420,718**

[45] Date of Patent: **** *Feb. 15, 2000**

[54] **TELESCOPIC SIGHT WITH ACCESSORY MOUNTING FEATURES**

[75] Inventors: **Rodney H. Otteman**, Aloha; **Victoria J. Peters**, Forest Grove, both of Oreg.

[73] Assignee: **Leupold & Stevens, Inc.**, Beaverton, Oreg.

[*] Notice: This patent is subject to a terminal disclaimer.

[**] Term: **14 Years**

[21] Appl. No.: **29/095,340**

[22] Filed: **Oct. 21, 1998**

[51] **LOC (7) Cl.** **22-01**

[52] **U.S. Cl.** **D22/109; D16/132; D22/108**

[58] **Field of Search** **D22/100, 108, D22/109, 110, 199; D16/132; 33/245, 246, 247, 261, 265; 42/100, 101, 103**

[56] **References Cited**

U.S. PATENT DOCUMENTS

- D. 235,339 6/1975 Edstrom D22/109
- D. 308,982 7/1990 Moore D16/132
- D. 346,292 4/1994 Tomita D16/132

- D. 349,510 8/1994 Tomita D16/132
- D. 365,858 1/1996 Tomita D16/132 X
- D. 369,367 4/1996 Tomita D22/109 X
- D. 378,936 4/1997 DePaoli D22/109

Primary Examiner—Louis S. Zarfaz
Assistant Examiner—Monica A. Weingart
Attorney, Agent, or Firm—Stoel Rives LLP

[57] **CLAIM**

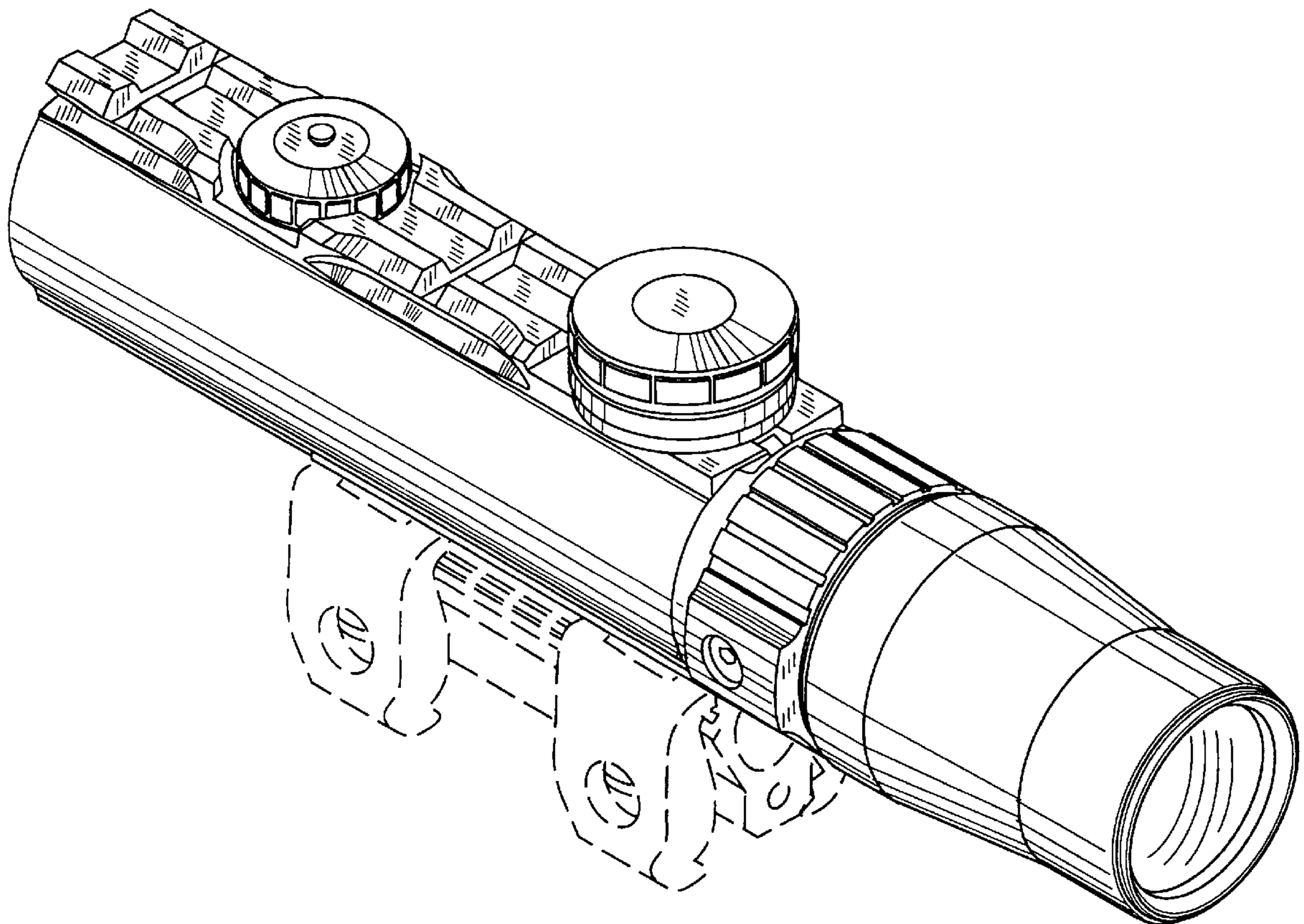
We claim the ornamental design for a telescopic sight with accessory mounting features, as shown and described.

DESCRIPTION

FIG. 1 is a perspective view of a telescopic sight with accessory mounting features showing environmental association matter in broken lines for illustrative purposes only; FIG. 2 is an objective end view thereof; FIG. 3 is an eyepiece end view thereof; FIG. 4 is a left side elevation view thereof; FIG. 5 is a right side elevation view thereof; FIG. 6 is a top plan view thereof; and, FIG. 7 is a bottom plan view thereof.

The broken lines showing of the mounting rack and mounting clamps in FIGS. 1–5 and 7 are illustrative of the environmental structure only and form no part of the claimed design.

1 Claim, 3 Drawing Sheets



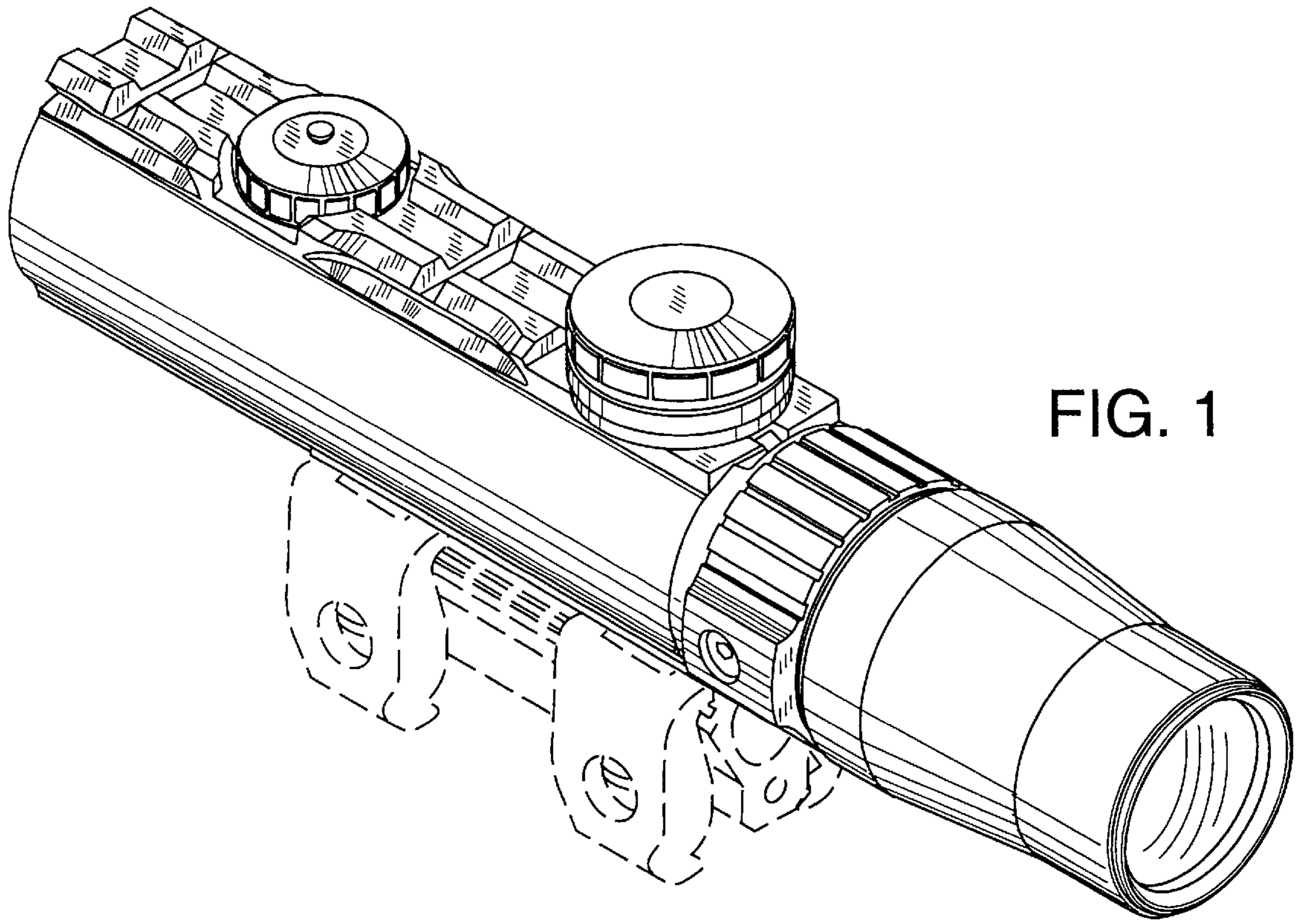


FIG. 1

FIG. 2

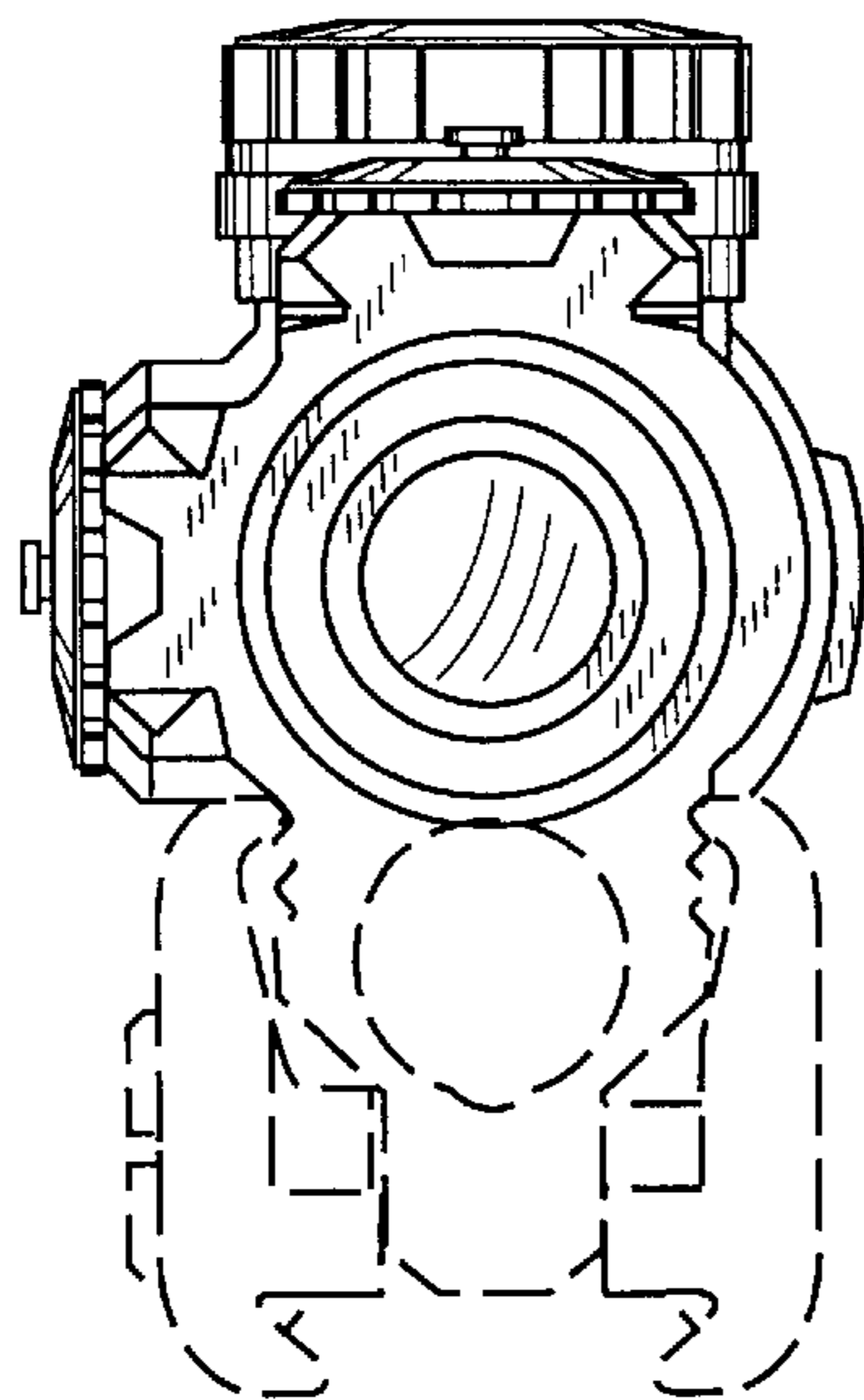
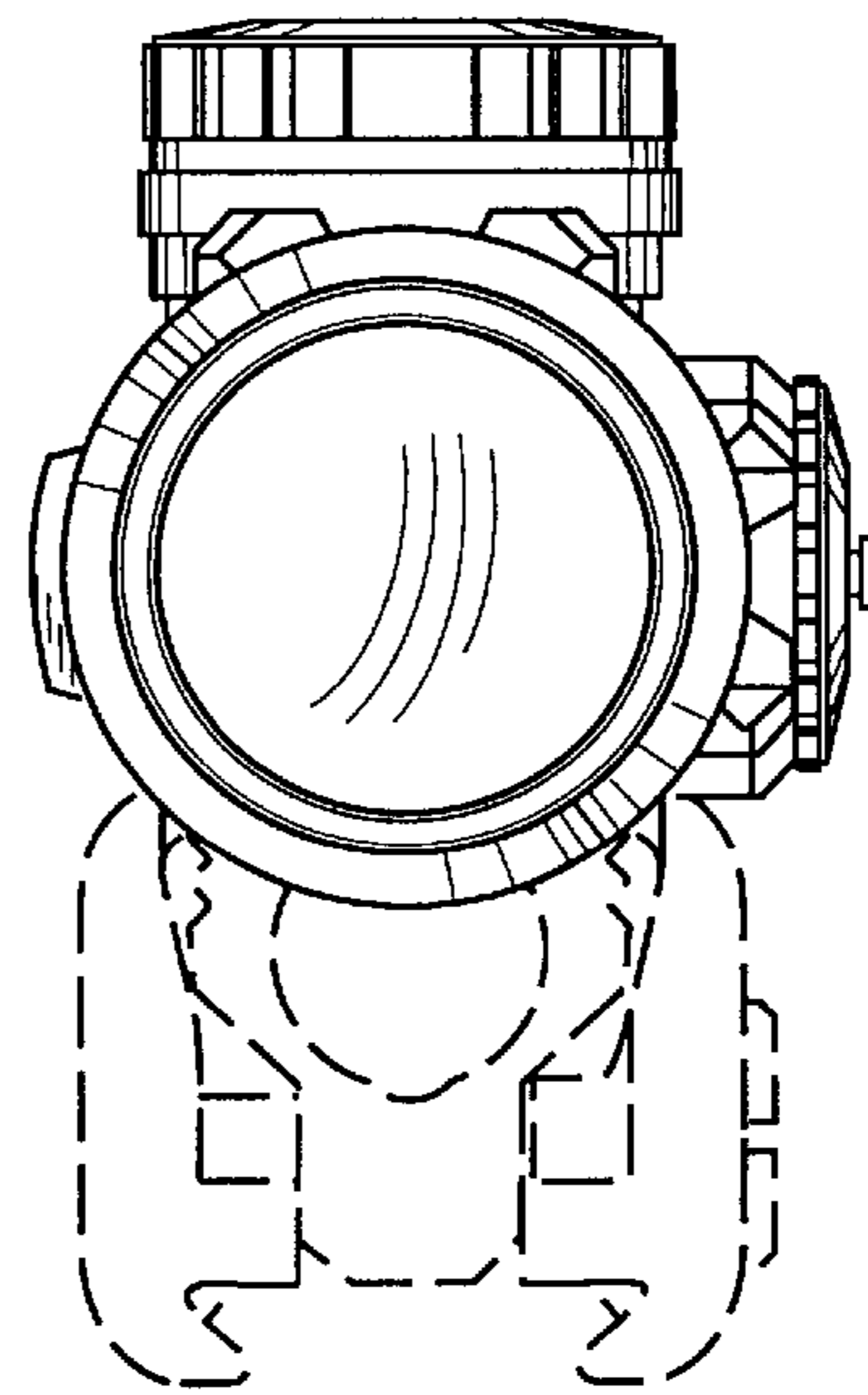


FIG. 3



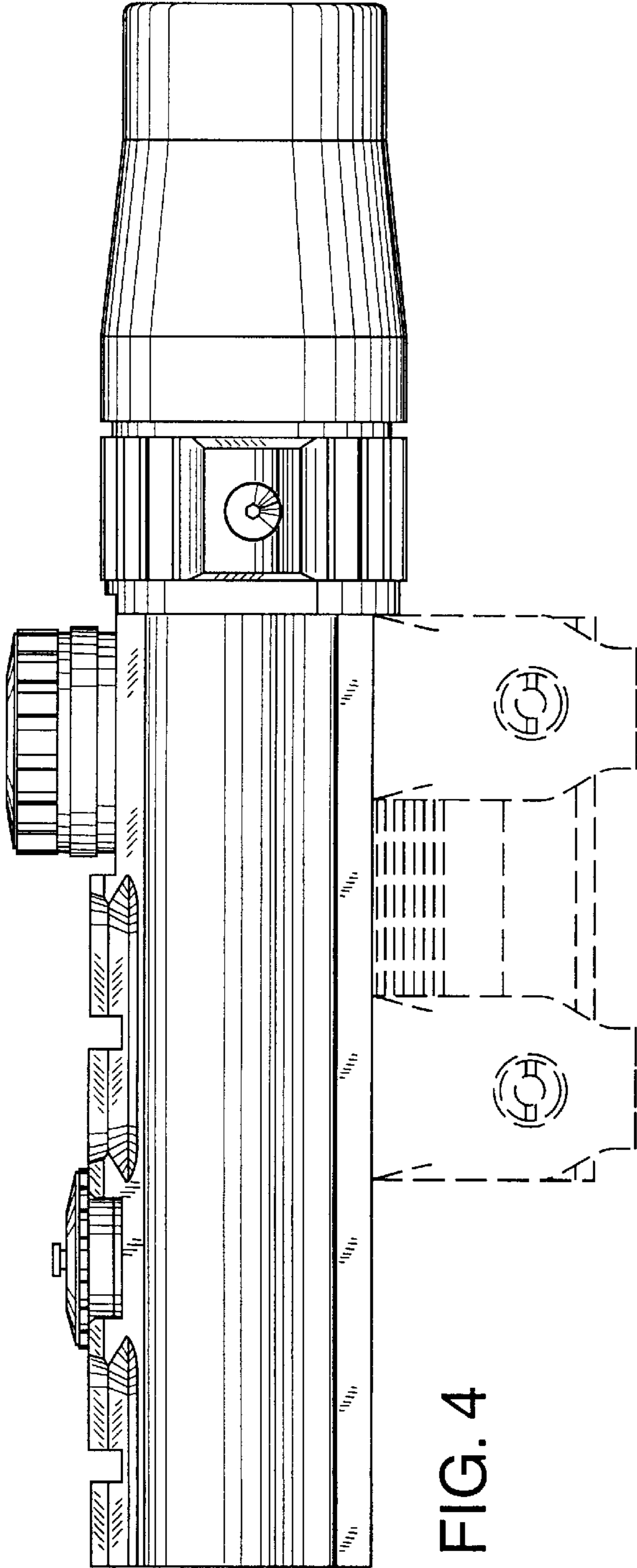


FIG. 4

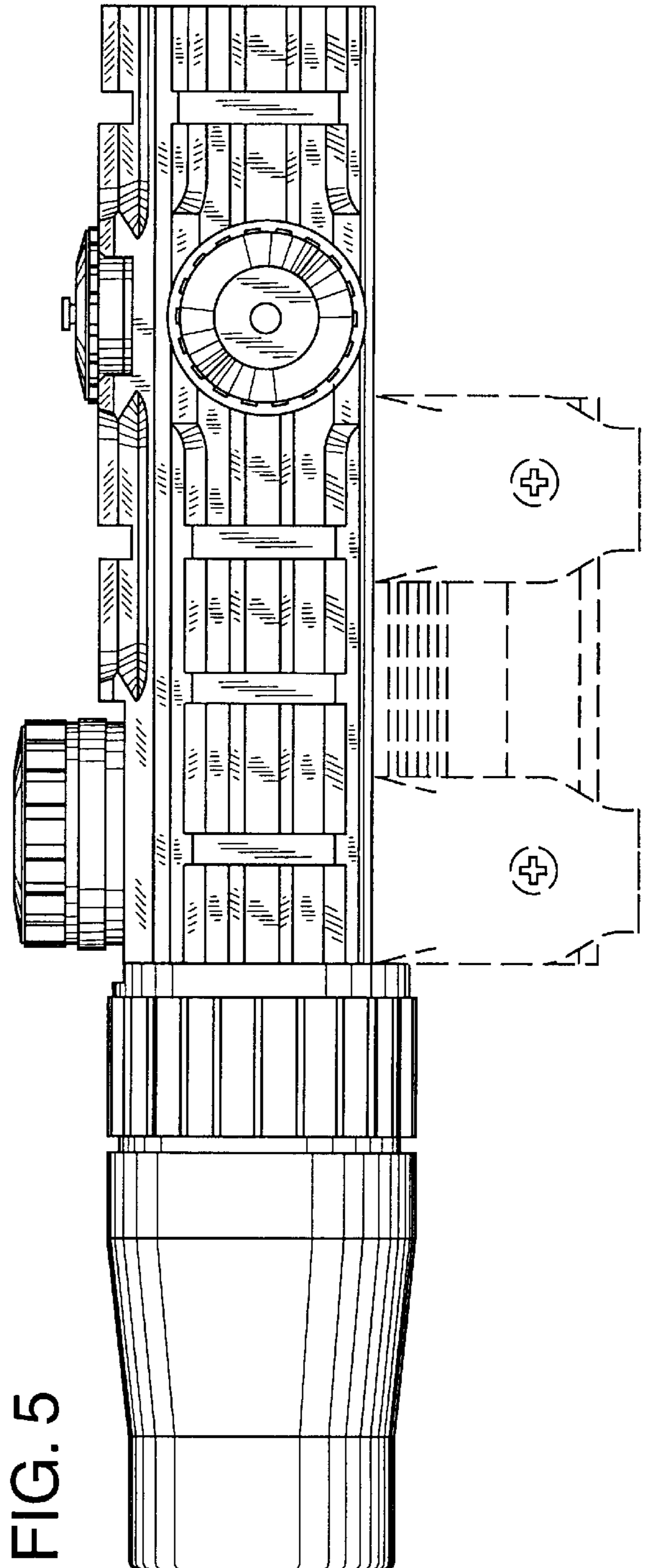


FIG. 5

FIG. 6

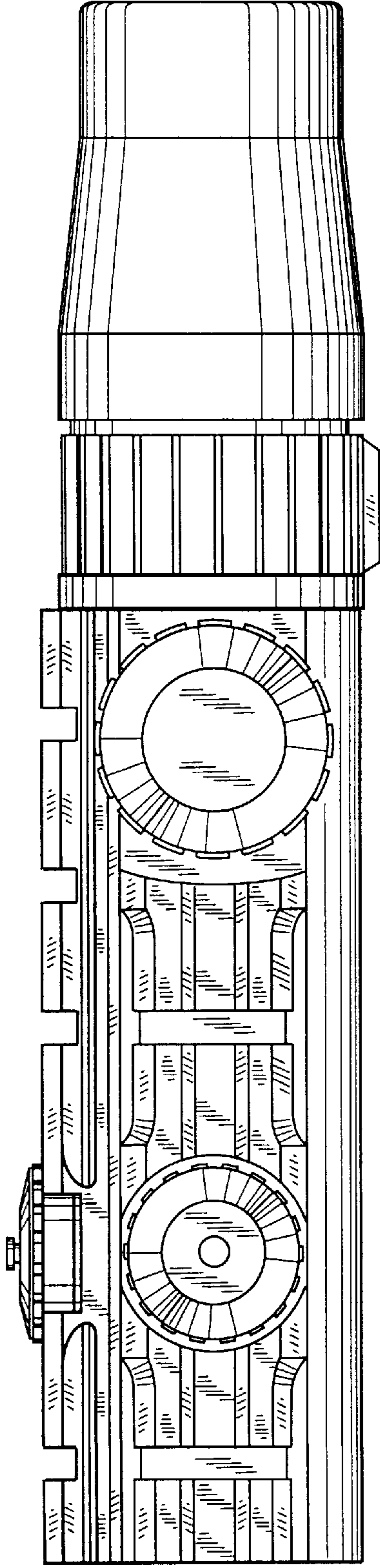


FIG. 7

