



US00D420714S

United States Patent [19]

Ivanov

[11] Patent Number: Des. 420,714

[45] Date of Patent: ** Feb. 15, 2000

[54] BALL RETURN SURFACE

[76] Inventor: Mornay Ivanov, Carroway Farm, Magaliesburg, Northwest Province, South Africa

[**] Term: 14 Years

[21] Appl. No.: 29/097,278

[22] Filed: Dec. 3, 1998

[51] LOC (7) Cl. 21-99

[52] U.S. Cl. D21/705

[58] Field of Search D21/698, 699, D21/705; 273/400, 395; 473/172, 195, 197, 421, 439, 476, 478, 432

[56] References Cited

U.S. PATENT DOCUMENTS

2,819,901	1/1958	Mateja	473/421
3,475,025	10/1969	Uphaus	473/421
4,083,561	4/1978	Daffer, Jr.	473/432
5,934,679	8/1999	Strain et al.	273/395

Primary Examiner—Terry A. Wallace
Attorney, Agent, or Firm—Jacobson, Price, Holman & Stern, PLLC

[57] CLAIM

The ornamental design for a ball return surface, as shown and described.

DESCRIPTION

FIG. 1 is a front view showing my new design for a ball return surface,
FIG. 2 is a rear view thereof;
FIG. 3 is a top view thereof;
FIG. 4 is a bottom view thereof;
FIG. 5 is a left side view thereof;
FIG. 6 is a right side view thereof;
FIG. 7 is an enlarged front view of the encircled portion shown in FIG. 1;
FIG. 8 is an enlarged rear view of the encircled portion shown in FIG. 1; and,
FIG. 9 is an enlarged top view of the encircled portion shown in FIG. 3.

1 Claim, 6 Drawing Sheets

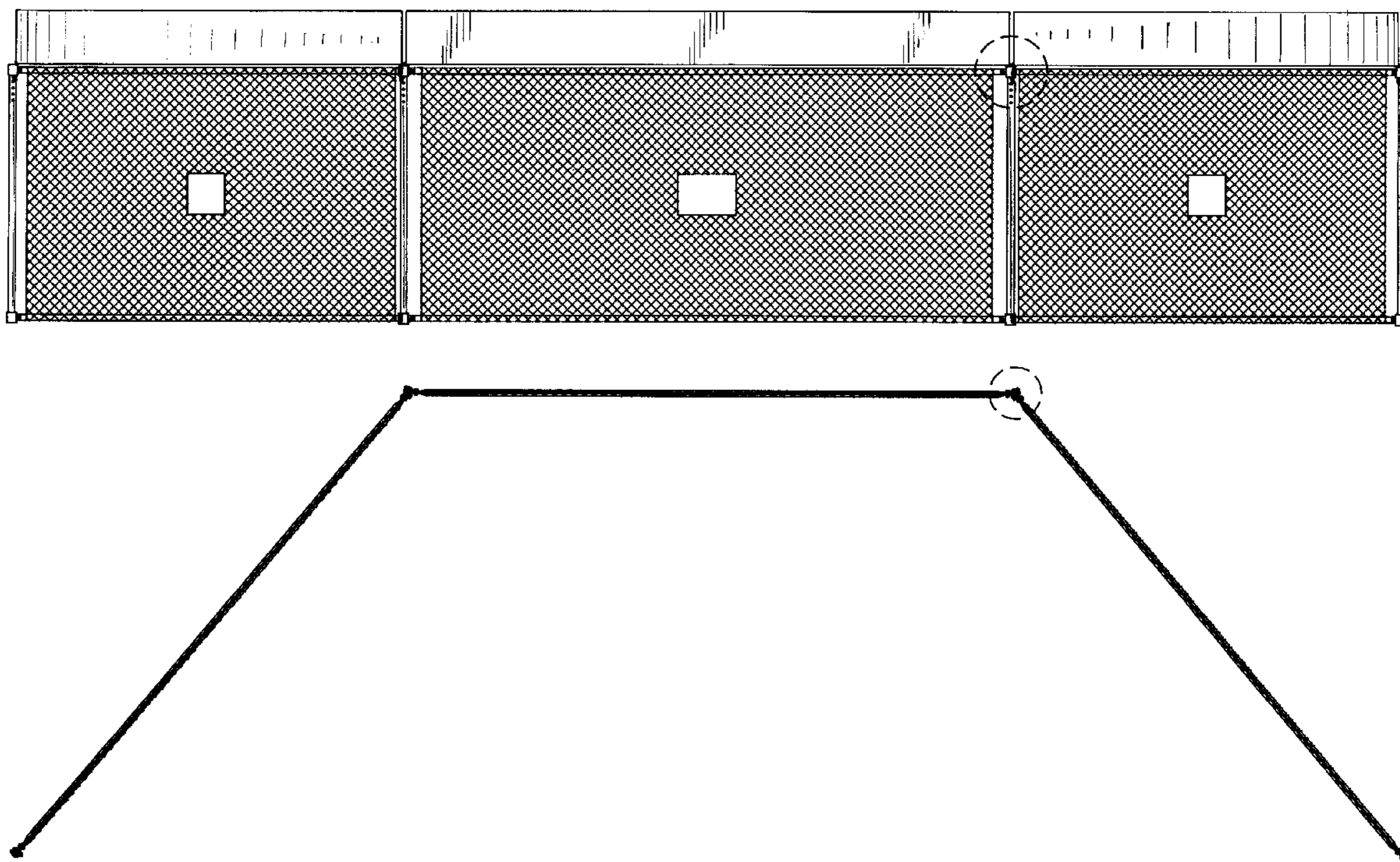


FIG. 1

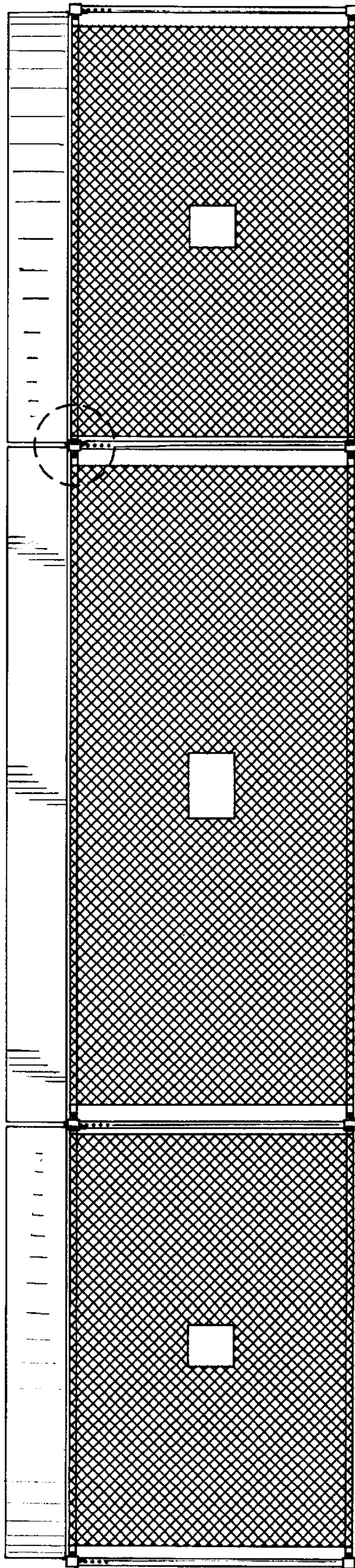


FIG. 2

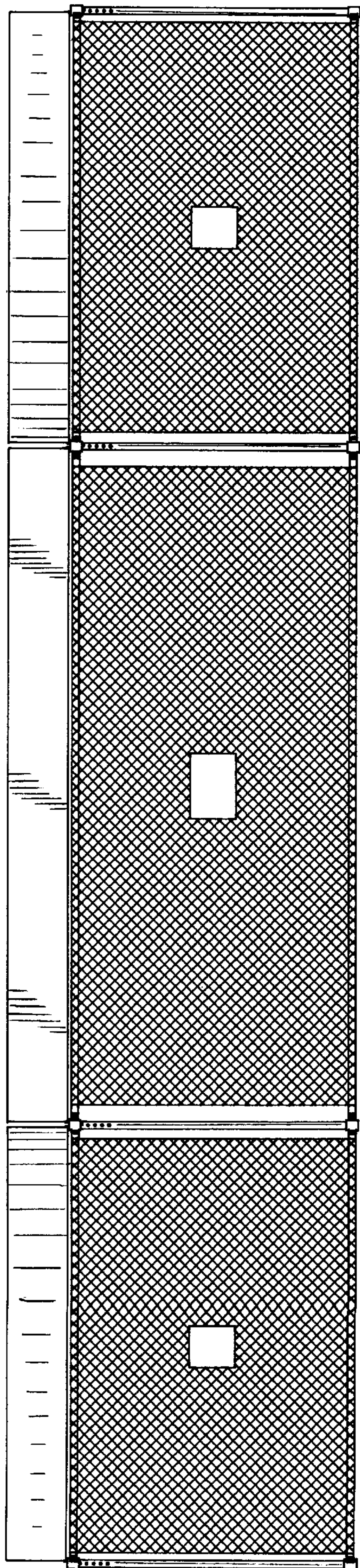


FIG. 3

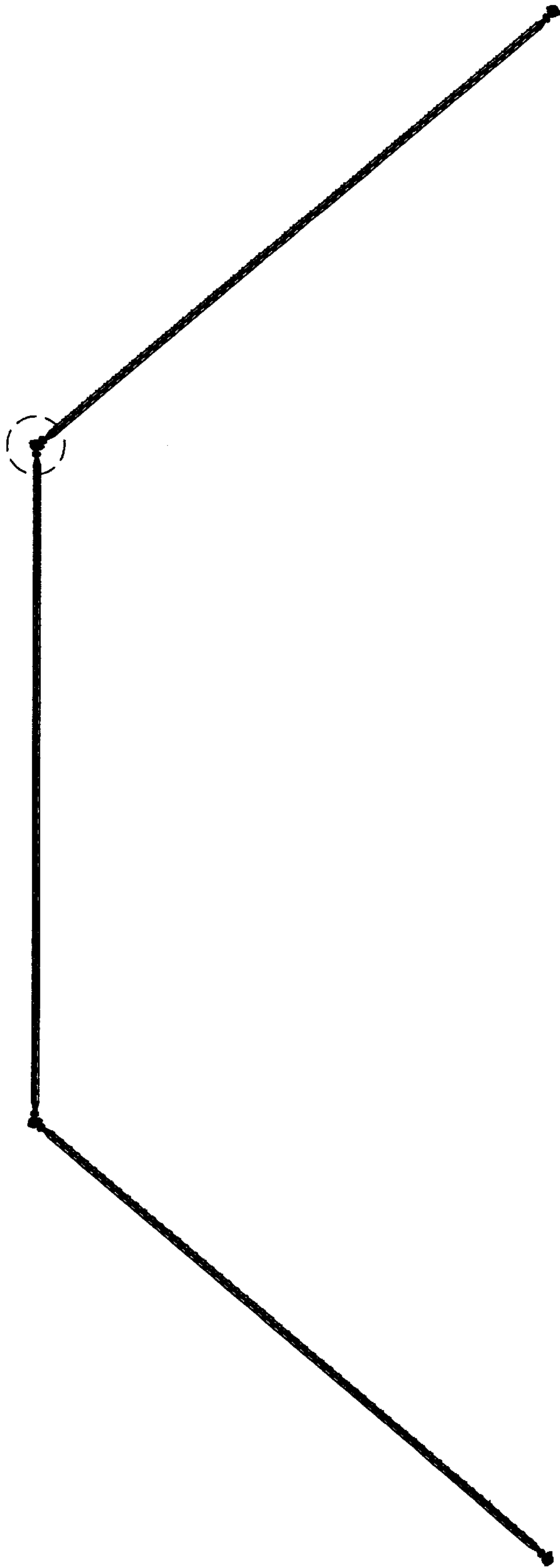


FIG. 4



FIG. 5

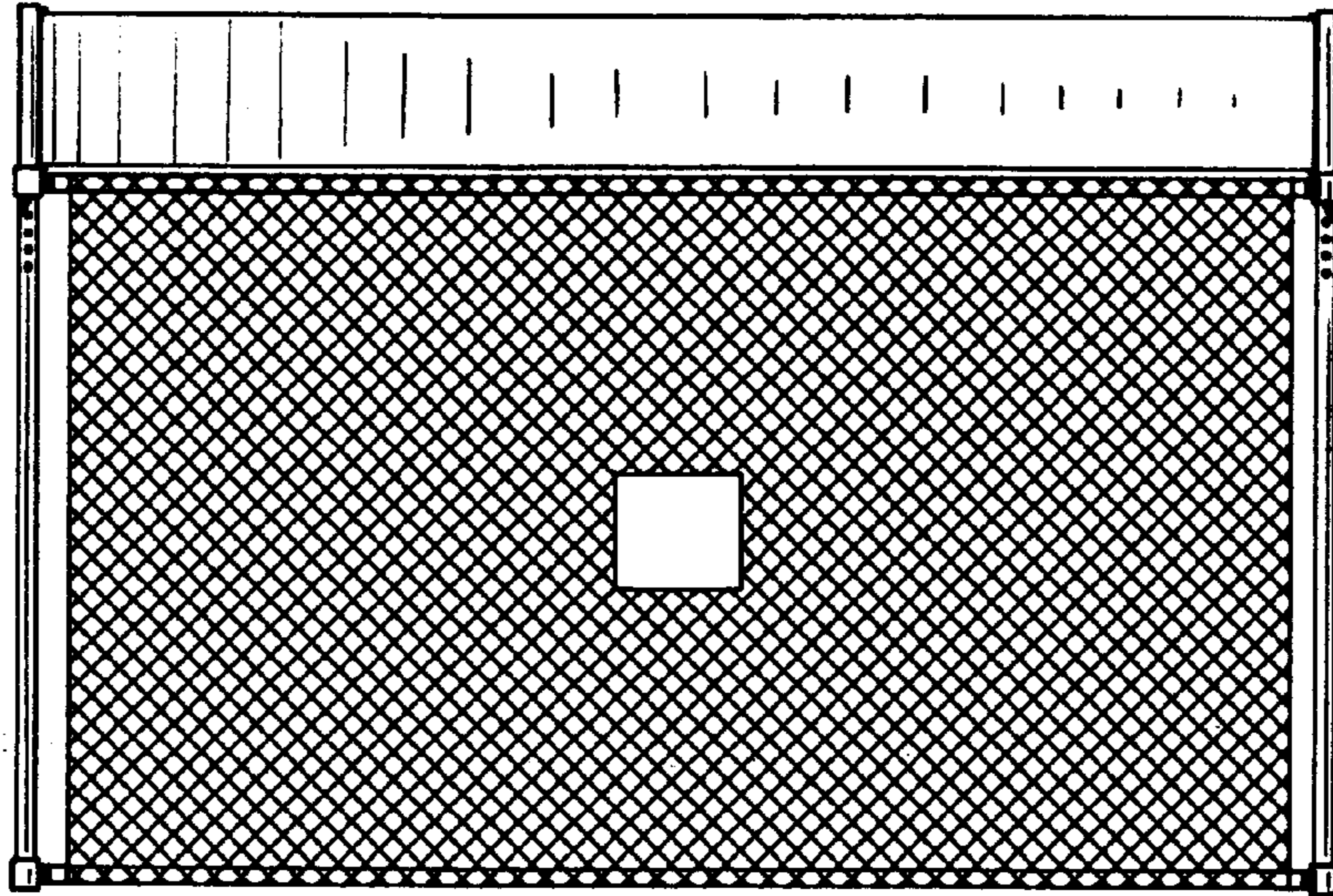


FIG. 6

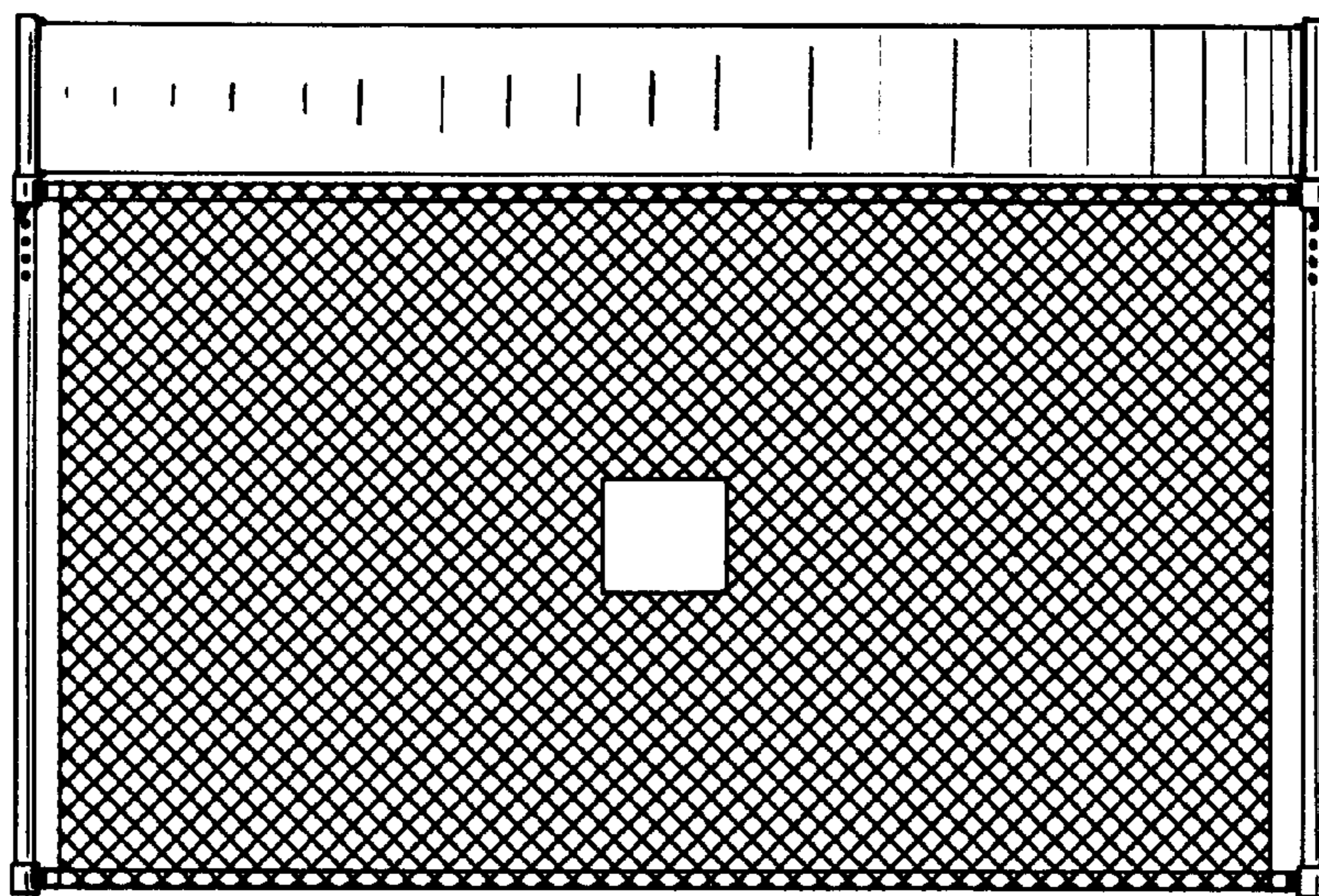


FIG. 7

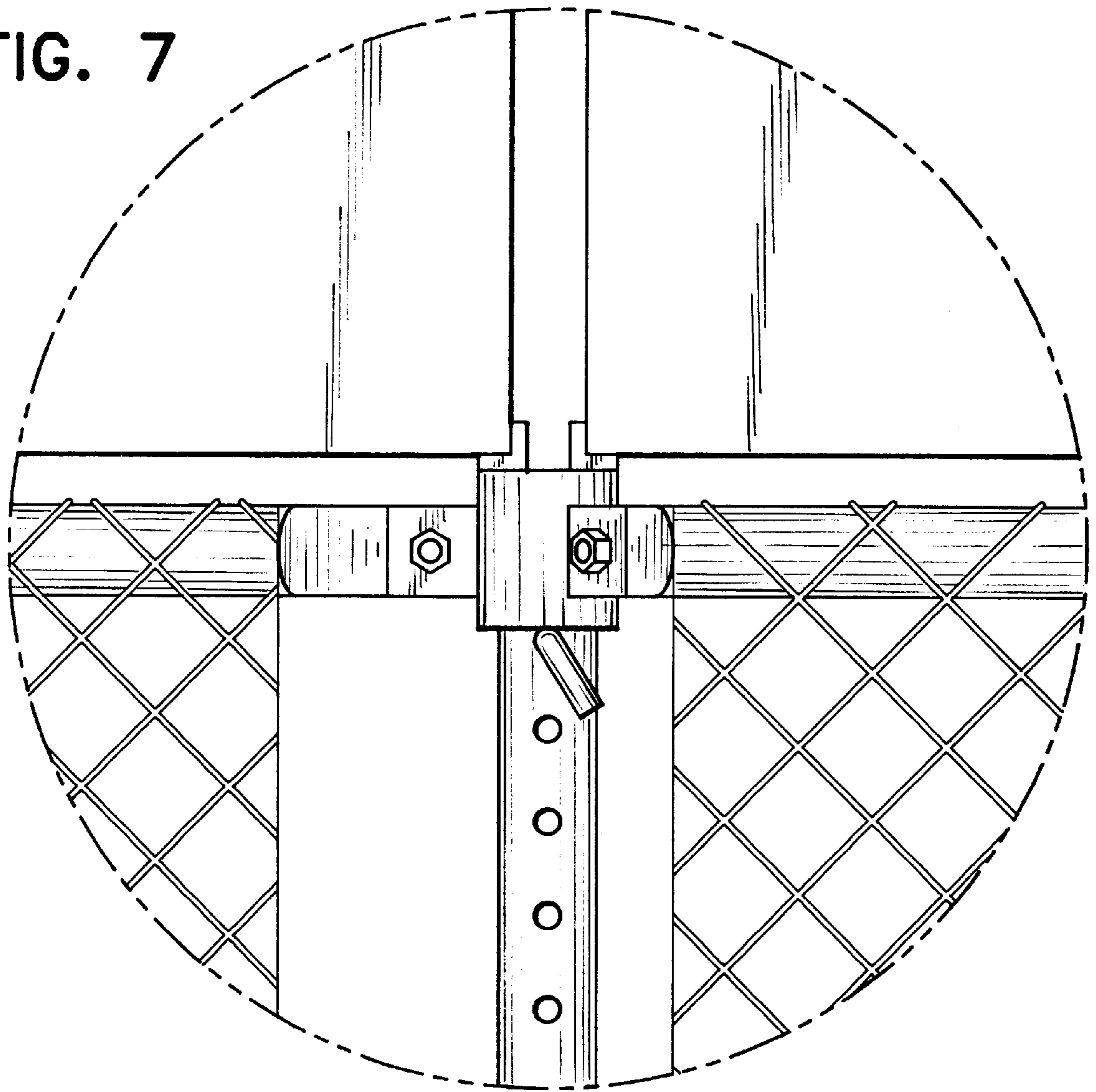


FIG. 8

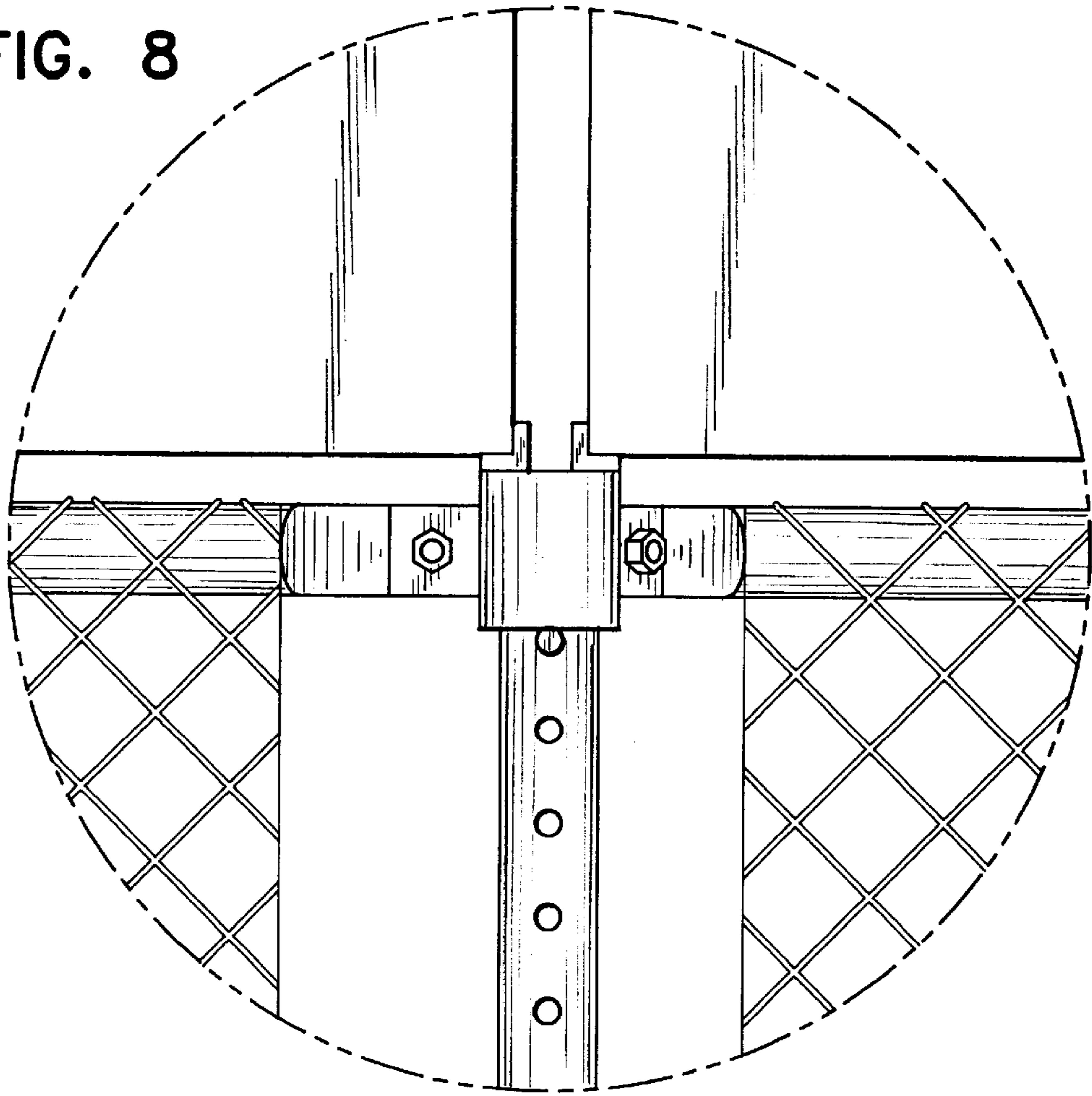


FIG. 9

