



US00D420713S

**United States Patent** [19]  
**Afilani**

[11] **Patent Number: Des. 420,713**

[45] **Date of Patent: \*\* Feb. 15, 2000**

[54] **TREADMILL**

[76] Inventor: **Thomas L. Afilani**, R.D. 5, Box 171,  
Jersey Shore, Pa. 17740

[\*\*] Term: **14 Years**

[21] Appl. No.: **29/103,845**

[22] Filed: **Apr. 14, 1999**

[51] **LOC (7) Cl.** ..... **21-02**

[52] **U.S. Cl.** ..... **D21/669**

[58] **Field of Search** ..... D21/662, 668,  
D21/669, 670, 325; 482/51, 52, 54

[56] **References Cited**

**U.S. PATENT DOCUMENTS**

- D. 265,412 7/1982 Summerlot ..... D21/669
- D. 370,509 6/1996 Gillot ..... D21/669

- 5,104,119 4/1992 Lynch ..... 482/54
- 5,240,417 8/1993 Smithson et al. .... 482/902
- 5,813,947 9/1998 Densmore ..... 482/51

*Primary Examiner*—Philip S. Hyder  
*Attorney, Agent, or Firm*—Nixon & Vanderhye P.C.

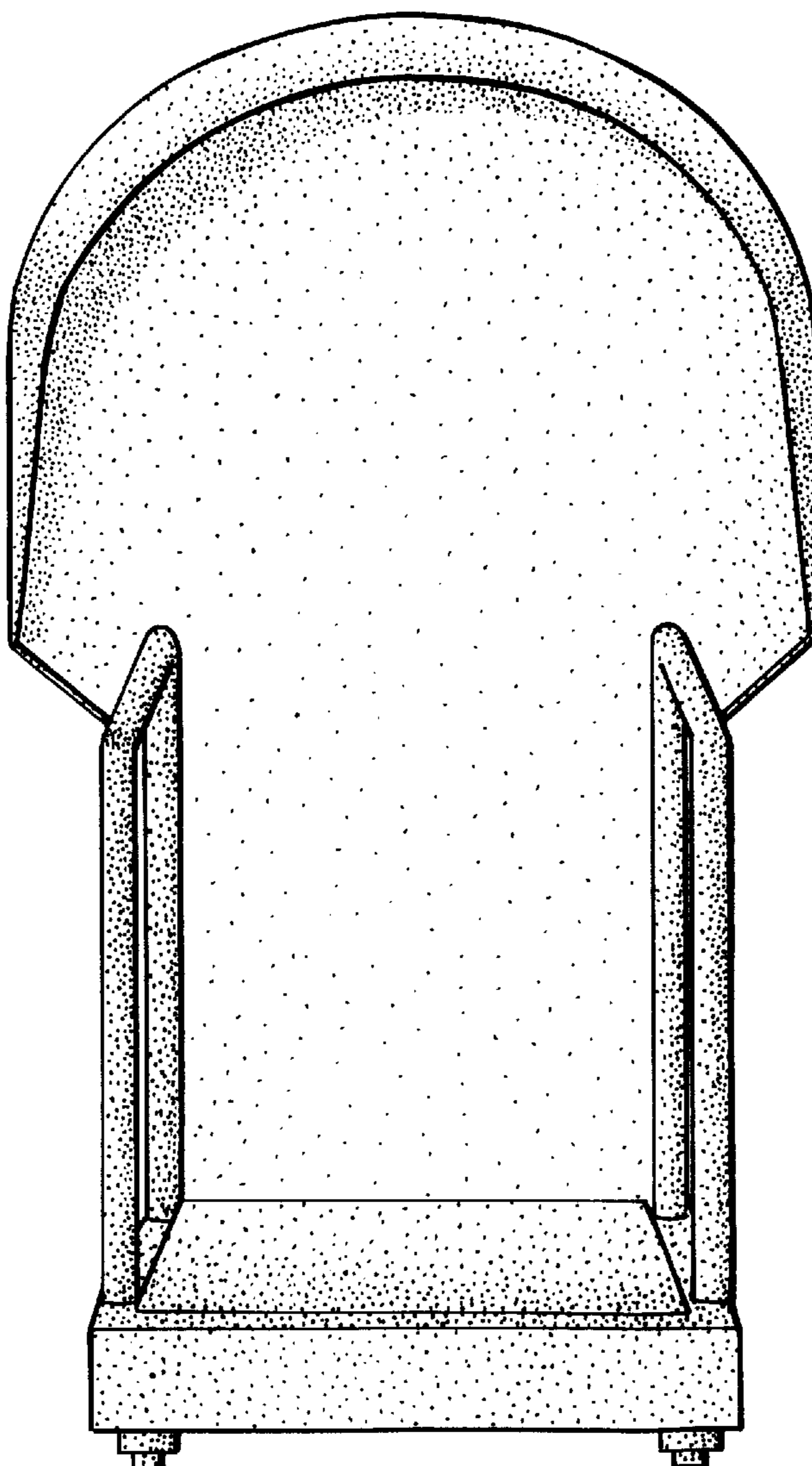
[57] **CLAIM**

The ornamental design for a treadmill, as shown and described.

**DESCRIPTION**

FIG. 1 is a front perspective view of the treadmill according to the invention;  
FIG. 2 is a side view of the treadmill shown in FIG. 1, the other side being a mirror image thereof;  
FIG. 3 is a top plan view thereof; and,  
FIG. 4 is a rear view thereof.

**1 Claim, 2 Drawing Sheets**



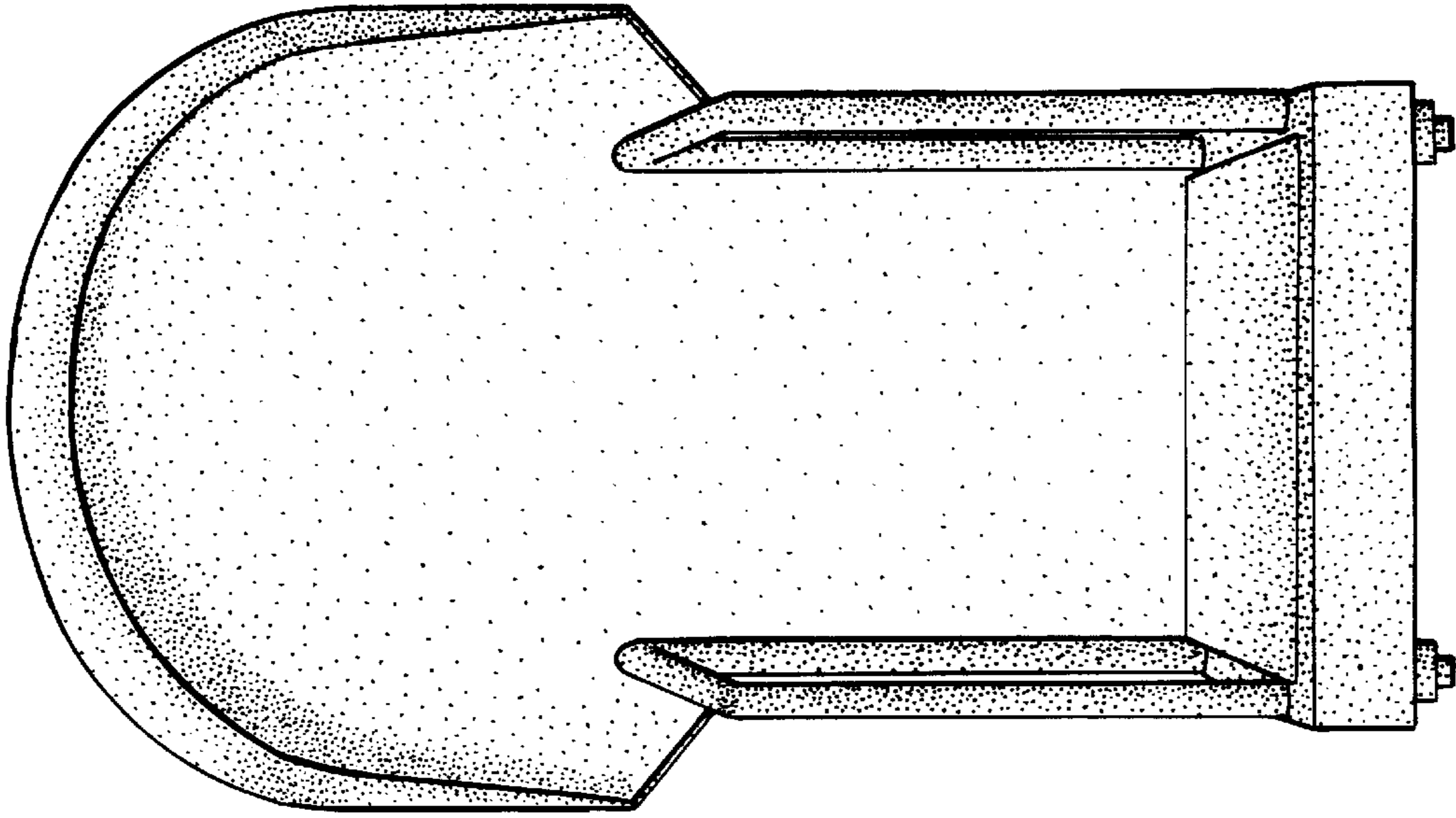


Fig. 1

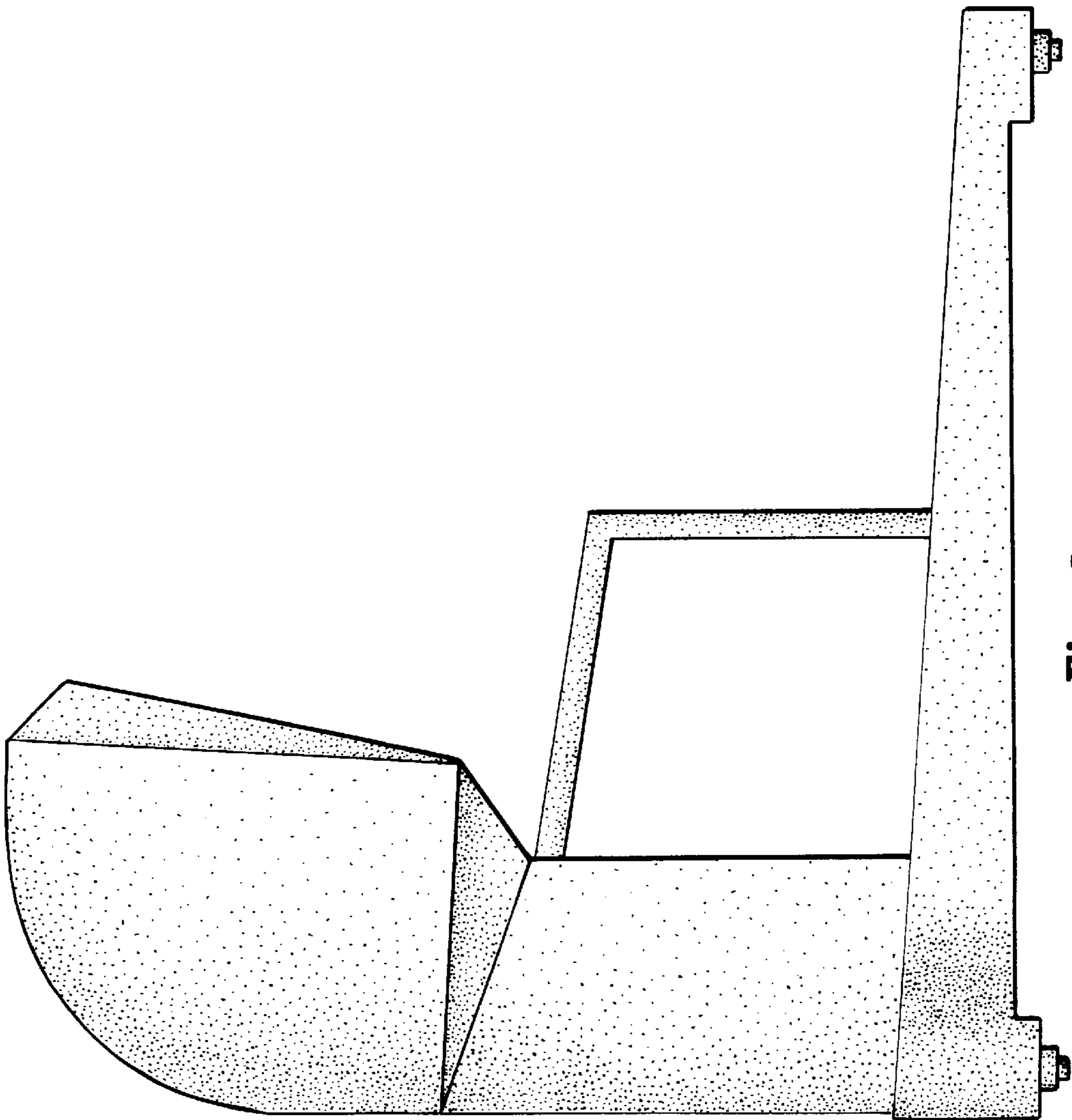


Fig. 2

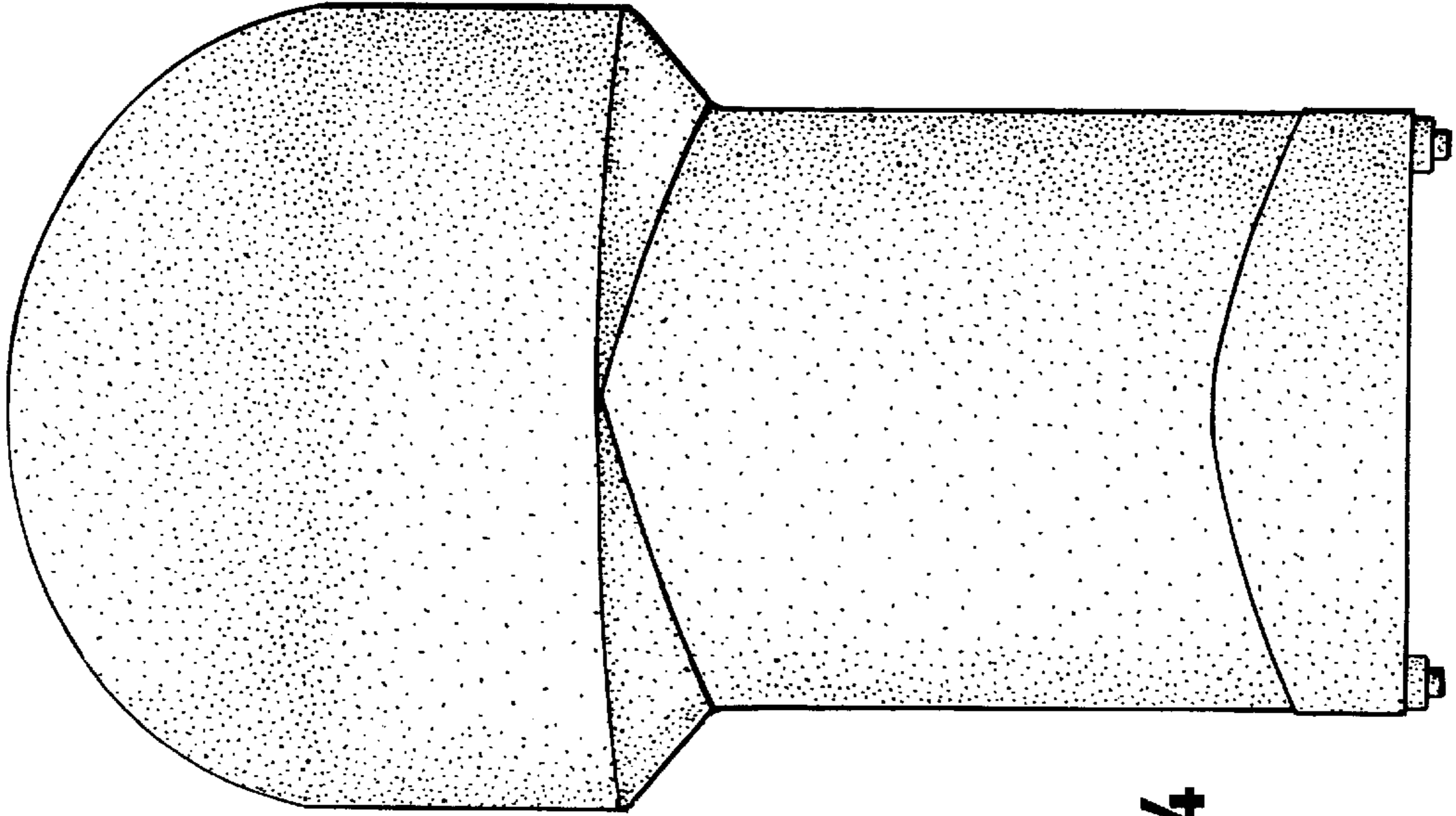


Fig. 4

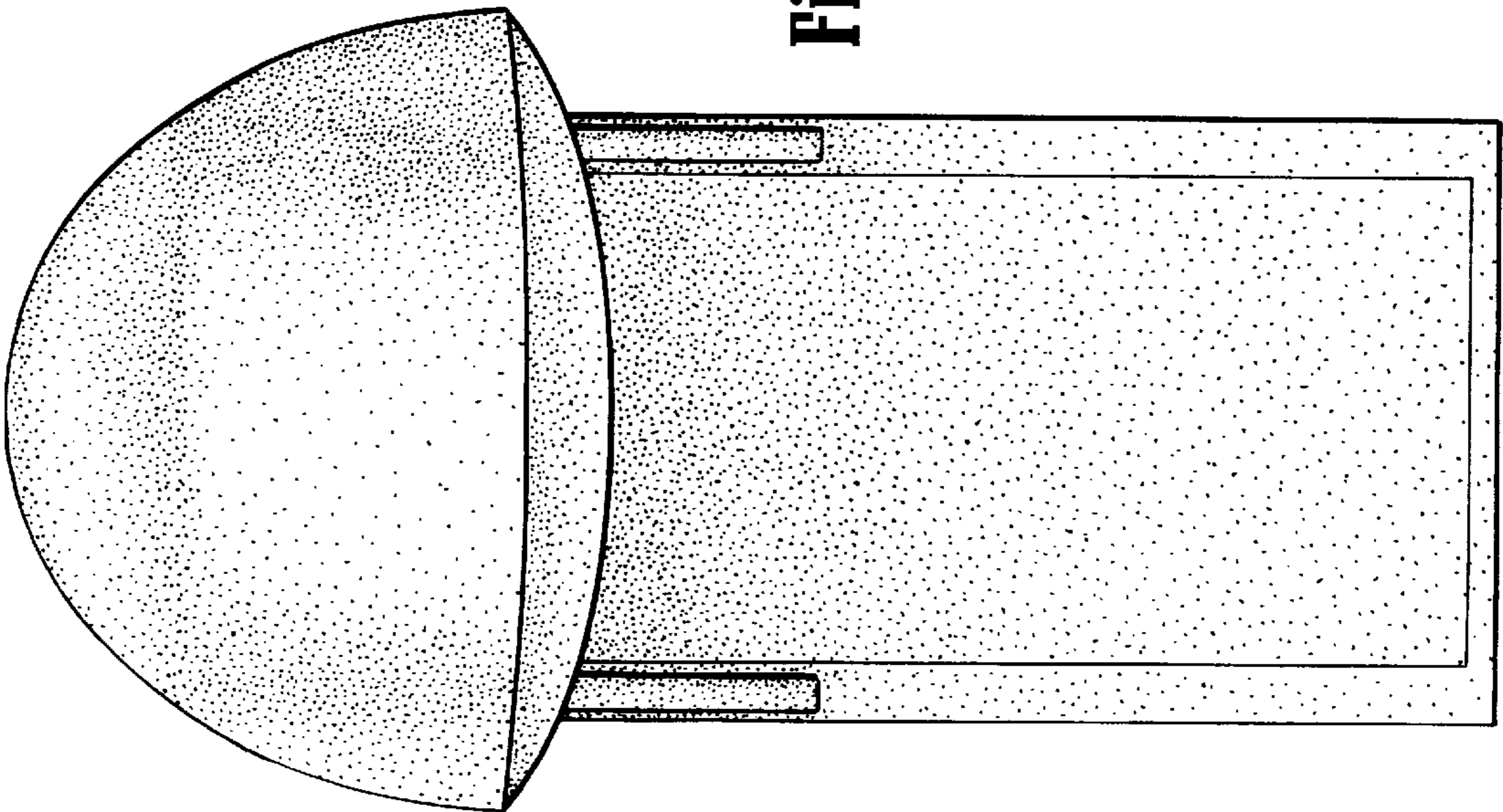


Fig. 3