



US00D420707S

United States Patent [19] Seymour

[11] Patent Number: **Des. 420,707**

[45] Date of Patent: **** Feb. 15, 2000**

[54] **MAGNETIC DART**

[75] Inventor: **Arthur F. Seymour**, Deerfield, Ill.

[73] Assignee: **Arthur Seymour**, Deerfield, Ill.

[**] Term: **14 Years**

[21] Appl. No.: **29/083,340**

[22] Filed: **Feb. 6, 1998**

[51] **LOC (7) Cl.** **21-01**

[52] **U.S. Cl.** **D21/49**

[58] **Field of Search** D21/5, 6, 37, 49;
273/348, 371, 376, 398, 408; 473/569,
578

[56] **References Cited**

U.S. PATENT DOCUMENTS

D. 132,131	4/1942	Mull	D21/49
D. 180,007	4/1957	Benkoe	D21/49
D. 377,250	1/1997	Bafle, Jr. et al.	D21/37
3,032,345	5/1962	Lemelson	D21/6
3,107,097	10/1963	Warden	473/578
3,469,843	9/1969	Hubbard	273/102.2
3,625,514	12/1971	Haaland	273/95 R

4,211,411	7/1980	McDaniel et al.	273/345
5,102,129	4/1992	Roberts	273/57.1
5,193,817	3/1993	Pan	273/376
5,421,581	6/1995	Smith	273/239
5,536,017	7/1996	Salisian	273/375
5,553,861	9/1996	Pan	273/371

FOREIGN PATENT DOCUMENTS

94-013769 9/1997 Rep. of Korea .

Primary Examiner—Sandra L. Morris
Attorney, Agent, or Firm—Thomas W. Tolpin

[57] **CLAIM**

The ornamental design for a magnetic dart, as shown and described.

DESCRIPTION

FIG. 1 is a perspective view of a magnetic dart showing my new design;
FIG. 2 is a front view thereof;
FIG. 3 is a right side view thereof, the left side view being identical;
FIG. 4 is a back view thereof; and,
FIG. 5 is a top view thereof; the bottom view being identical.

1 Claim, 2 Drawing Sheets

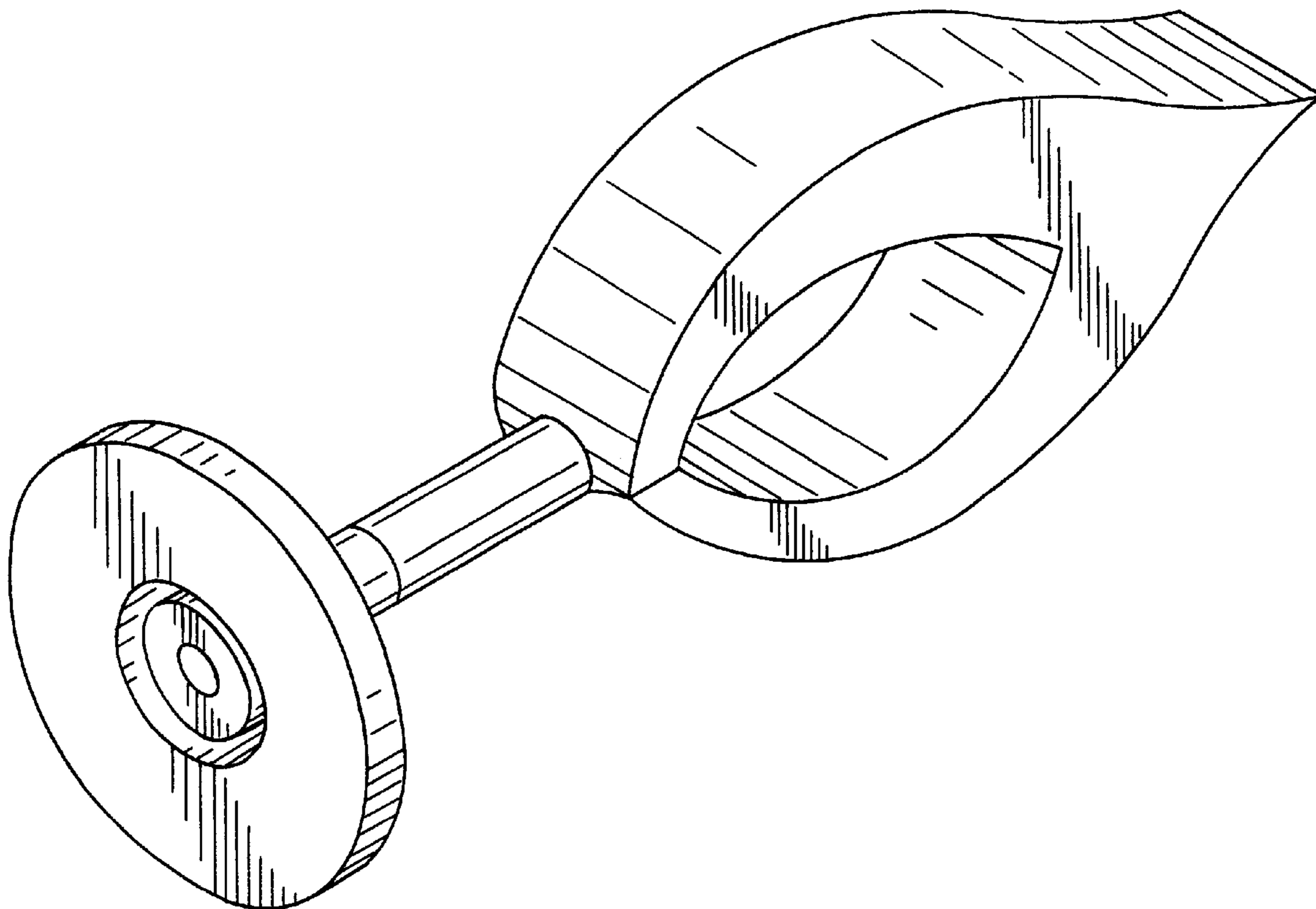


FIG. 1

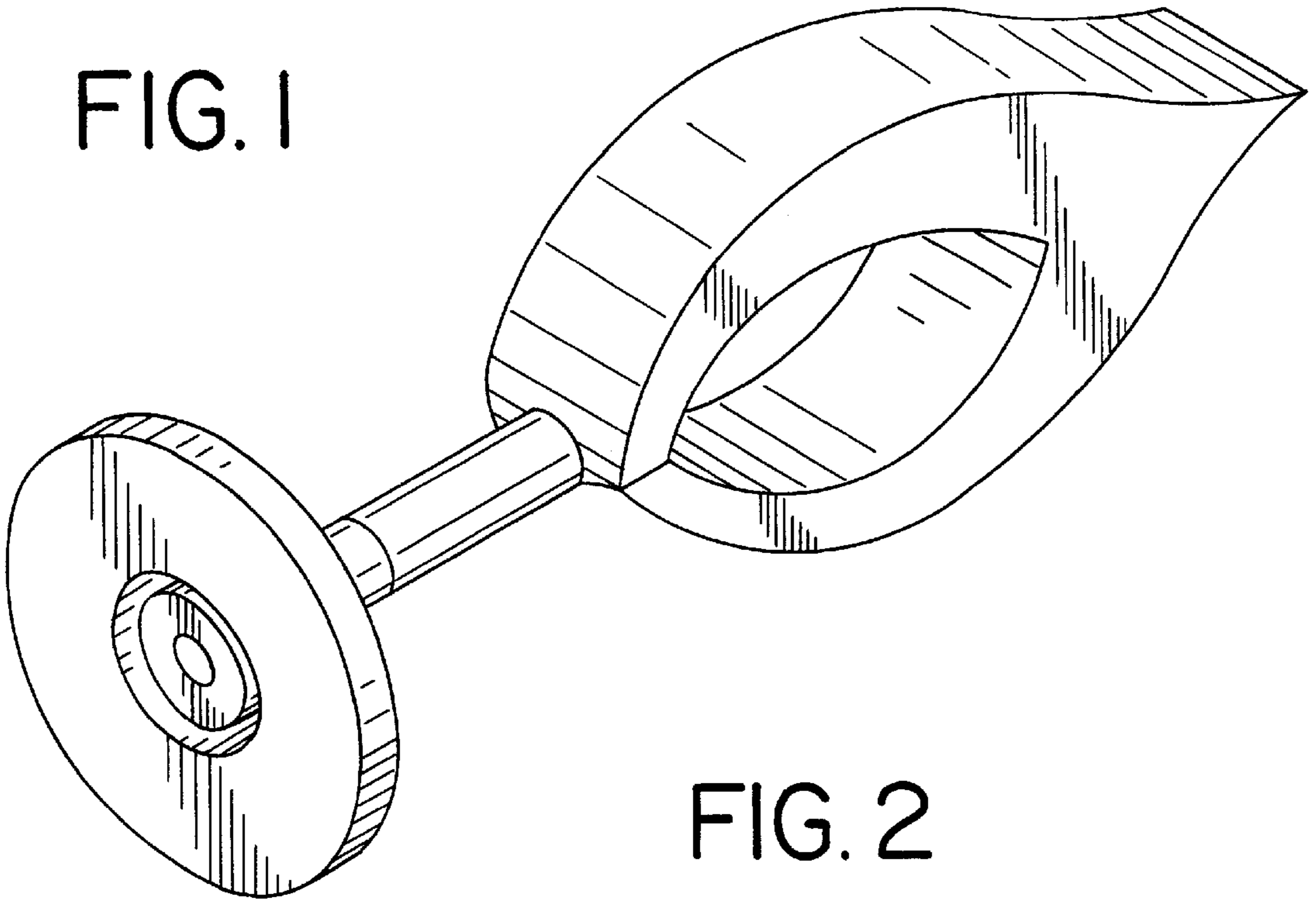


FIG. 2

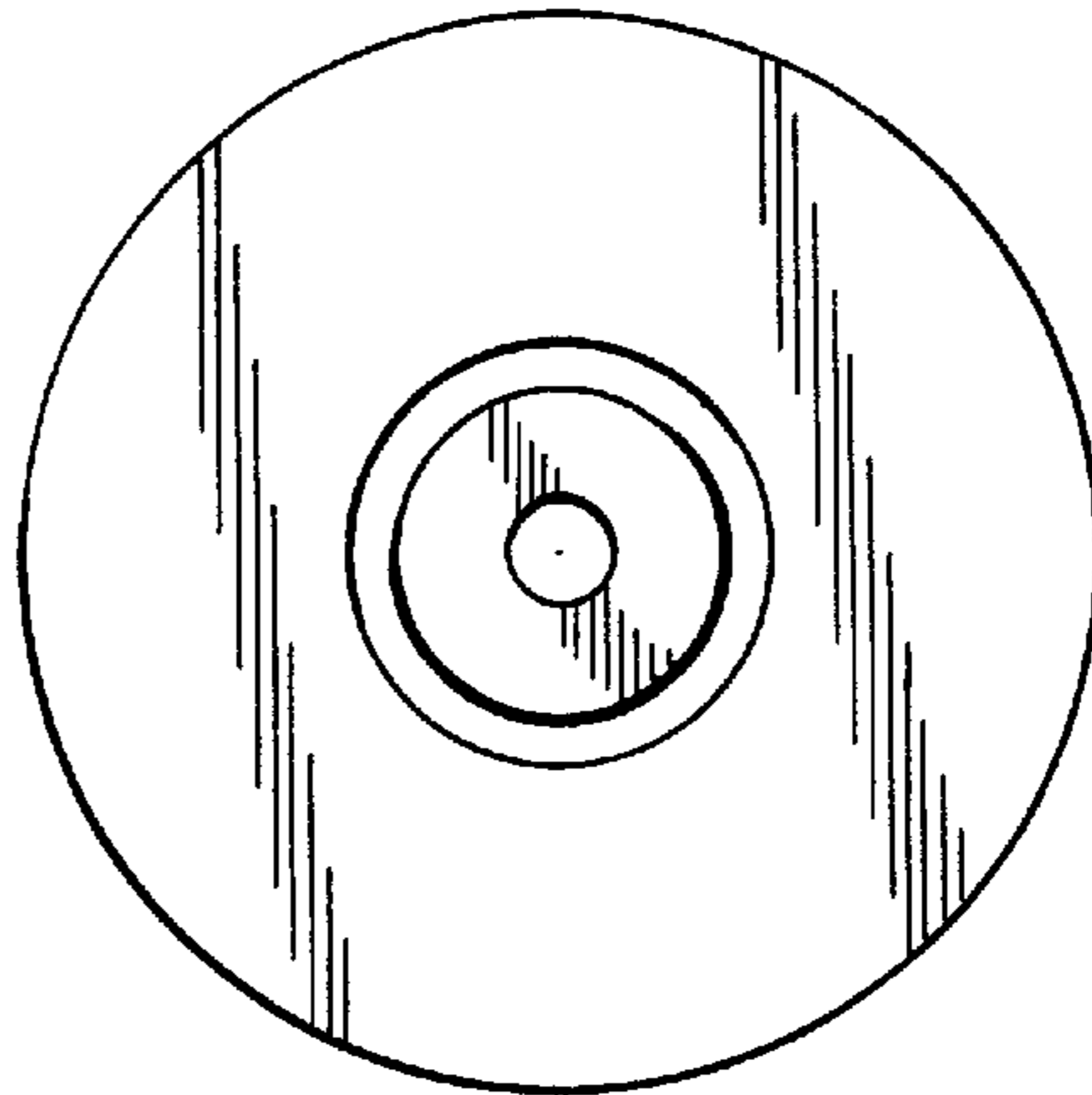


FIG. 3

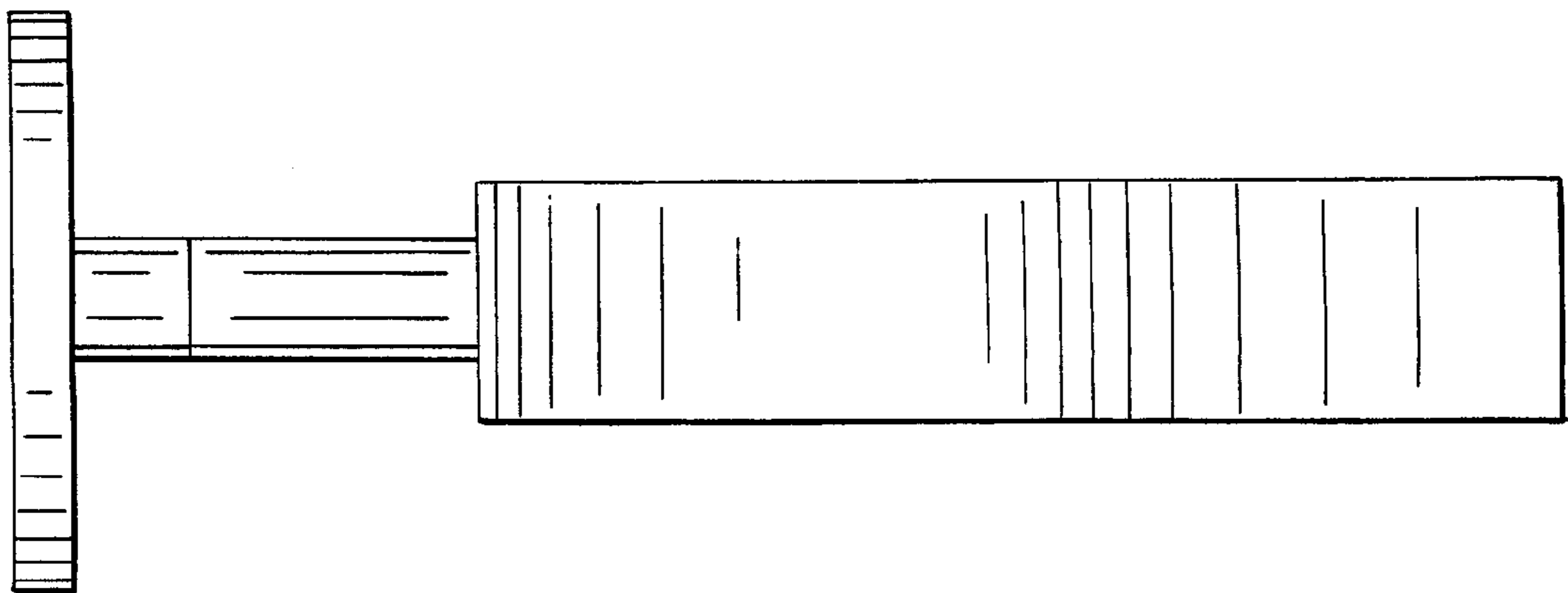


FIG. 4

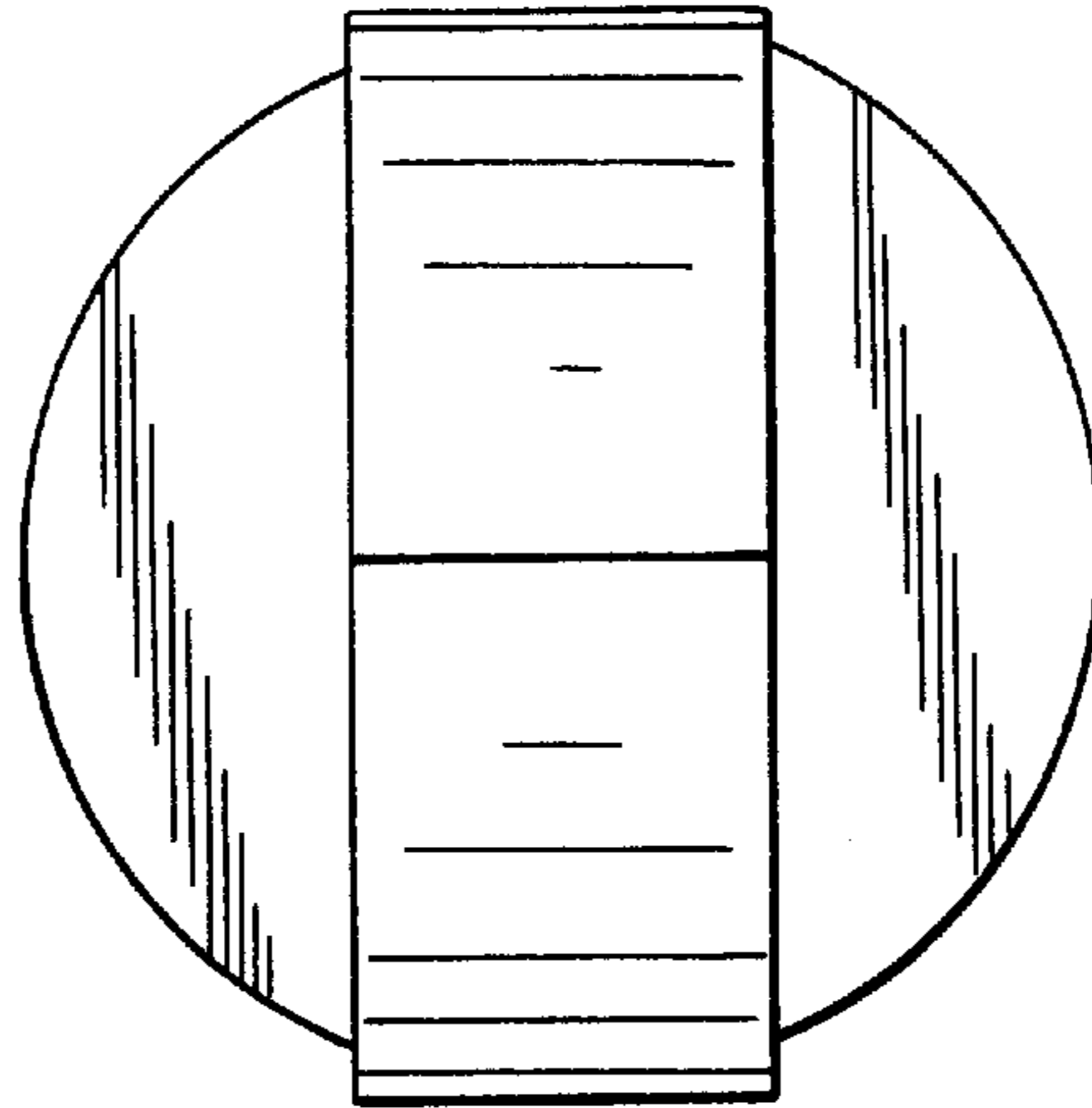


FIG. 5

