



US00D420704S

United States Patent [19] Coe

[11] **Patent Number: Des. 420,704**

[45] **Date of Patent: ** Feb. 15, 2000**

[54] **DISPLAY DEVICE WITH CLOCK**

[75] Inventor: **Matthew Coe**, Asbury, N.J.

[73] Assignee: **PharmaDesign Inc.**, Warren, N.J.

[**] Term: **14 Years**

[21] Appl. No.: **29/102,118**

[22] Filed: **Mar. 18, 1999**

[51] **LOC (7) Cl.** **19-02**

[52] **U.S. Cl.** **D19/75; D19/90; D10/2**

[58] **Field of Search** **D10/2, 15; D19/65, D19/75, 36, 78, 86, 90, 91, 95, 99, 100; 211/10, 11, 50, 55; 40/358**

[56] **References Cited**

U.S. PATENT DOCUMENTS

D. 165,194	11/1951	Schiffer	211/55	X
D. 184,696	3/1959	Tara	D10/2	
D. 274,735	7/1984	Evenson	D19/90	X
D. 298,953	12/1988	Roberts	D19/78	

D. 324,144	2/1992	Watrous	D19/91	
D. 329,609	9/1992	Wolff	D10/2	
D. 392,680	3/1998	Shaefer	D19/90	
2,249,265	7/1941	Bauder	211/11	
4,011,952	3/1977	Smith et al.	211/10	

Primary Examiner—Martie K. Holtje
Attorney, Agent, or Firm—Watov & Kipnes, P.C.

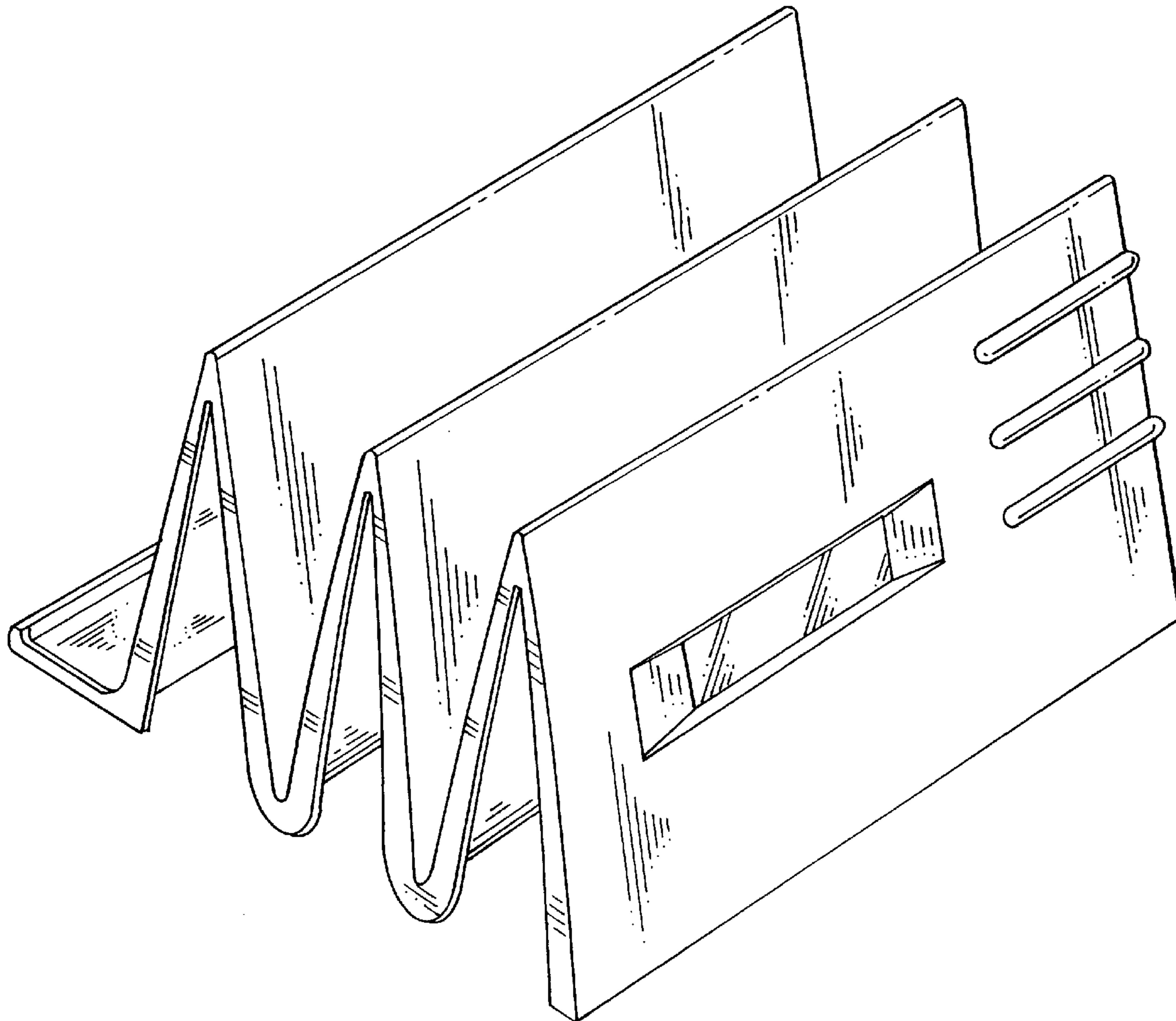
[57] **CLAIM**

The ornamental design for a display device with clock, as shown and described.

DESCRIPTION

FIG. 1 is a perspective view showing the right side elevational view of the display device with clock;
FIG. 2 is a front elevational view thereof;
FIG. 3 is a rear elevational view thereof;
FIG. 4 is a left side elevational view thereof;
FIG. 5 is a right side elevational view thereof;
FIG. 6 is a top plan view thereof; and,
FIG. 7 is a bottom plan view thereof.

1 Claim, 4 Drawing Sheets



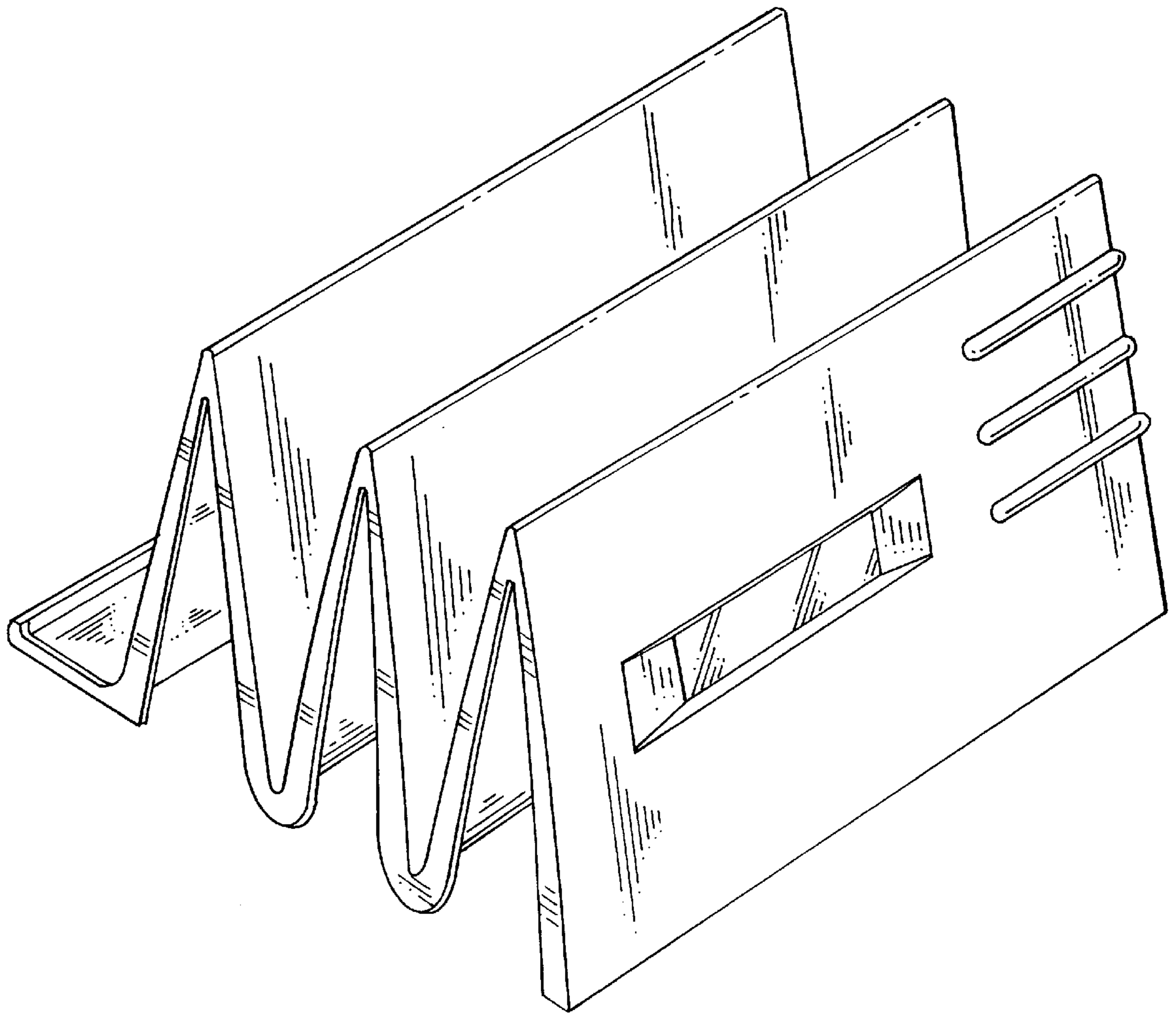


FIG. 1

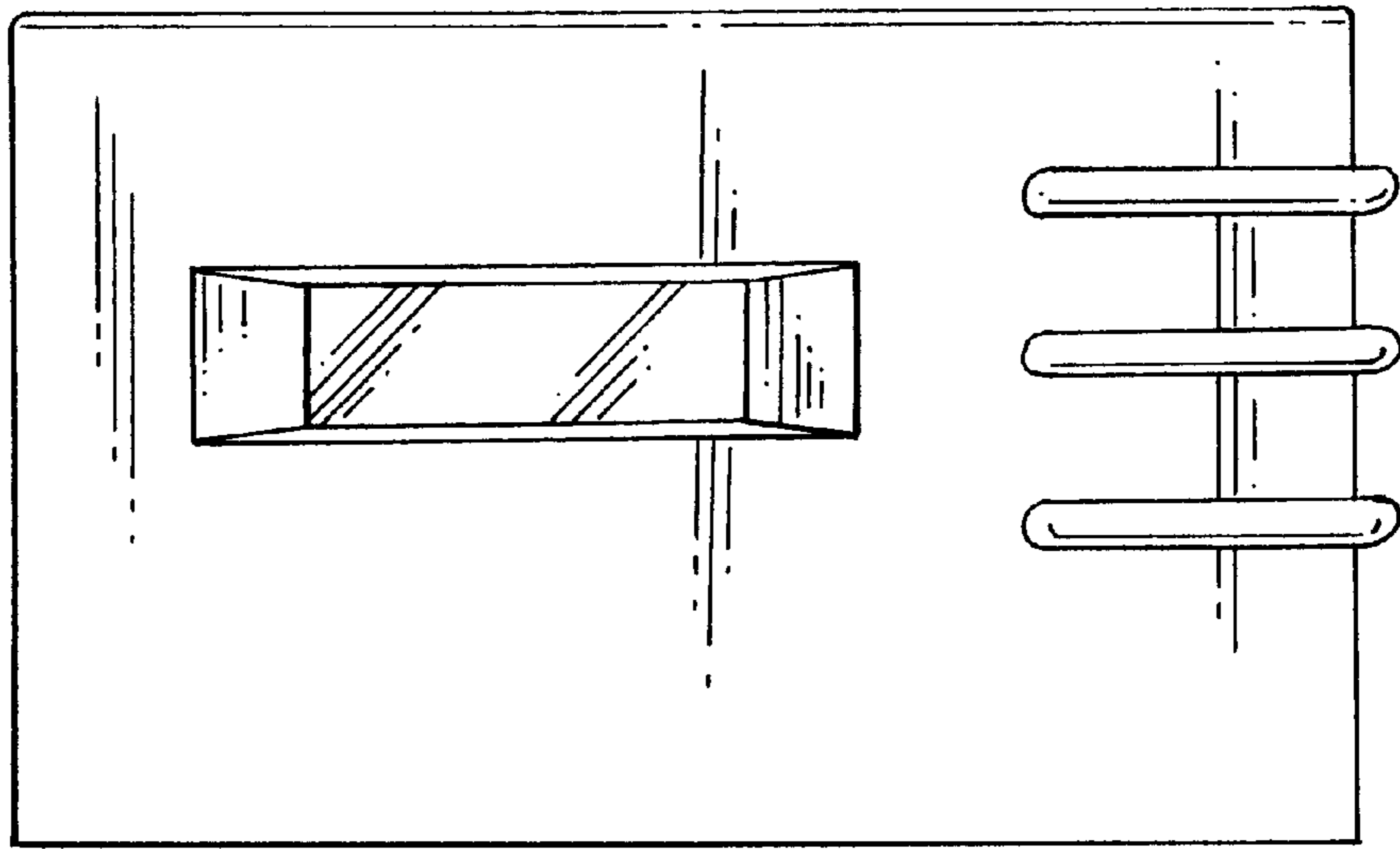


FIG. 2

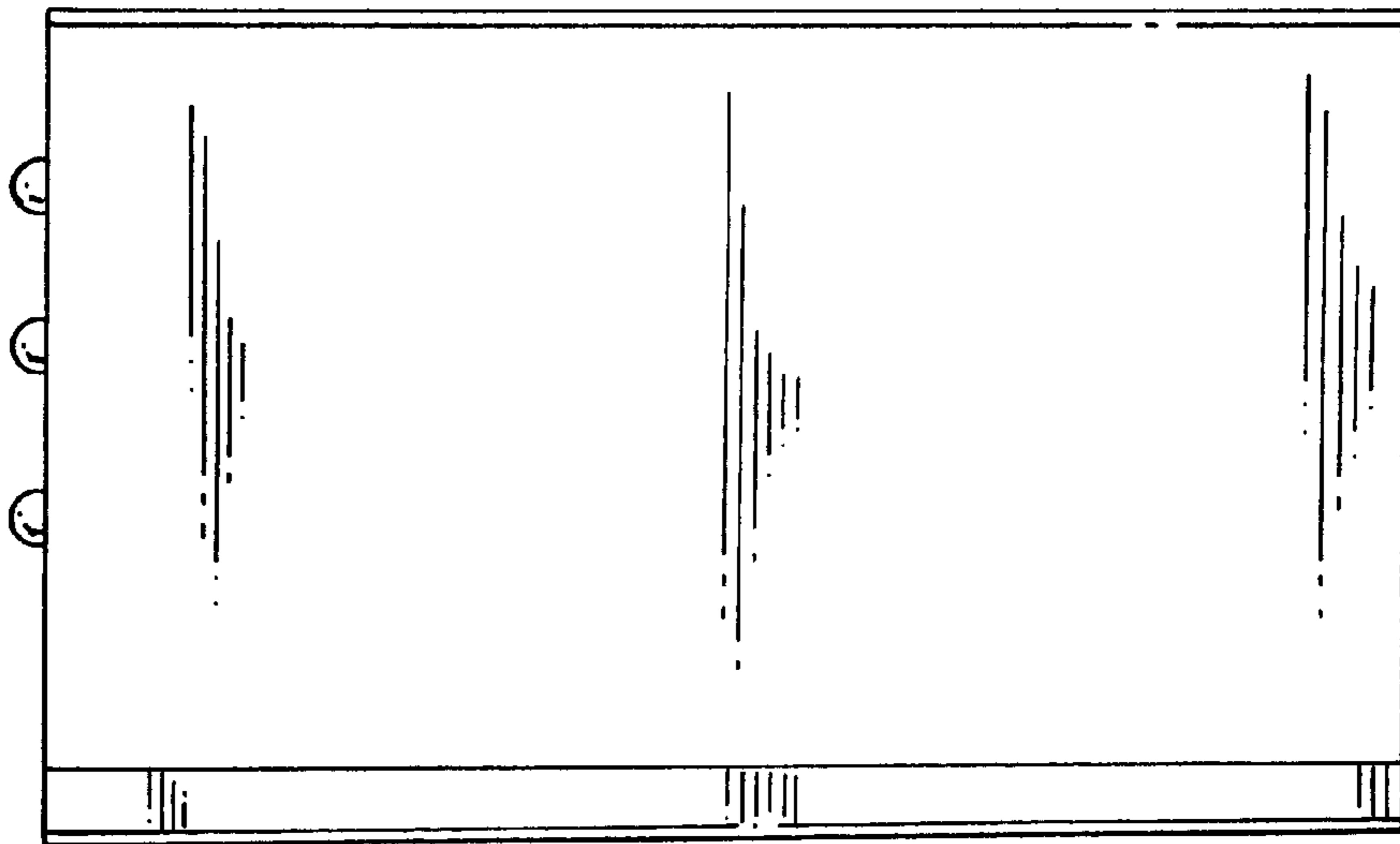


FIG. 3

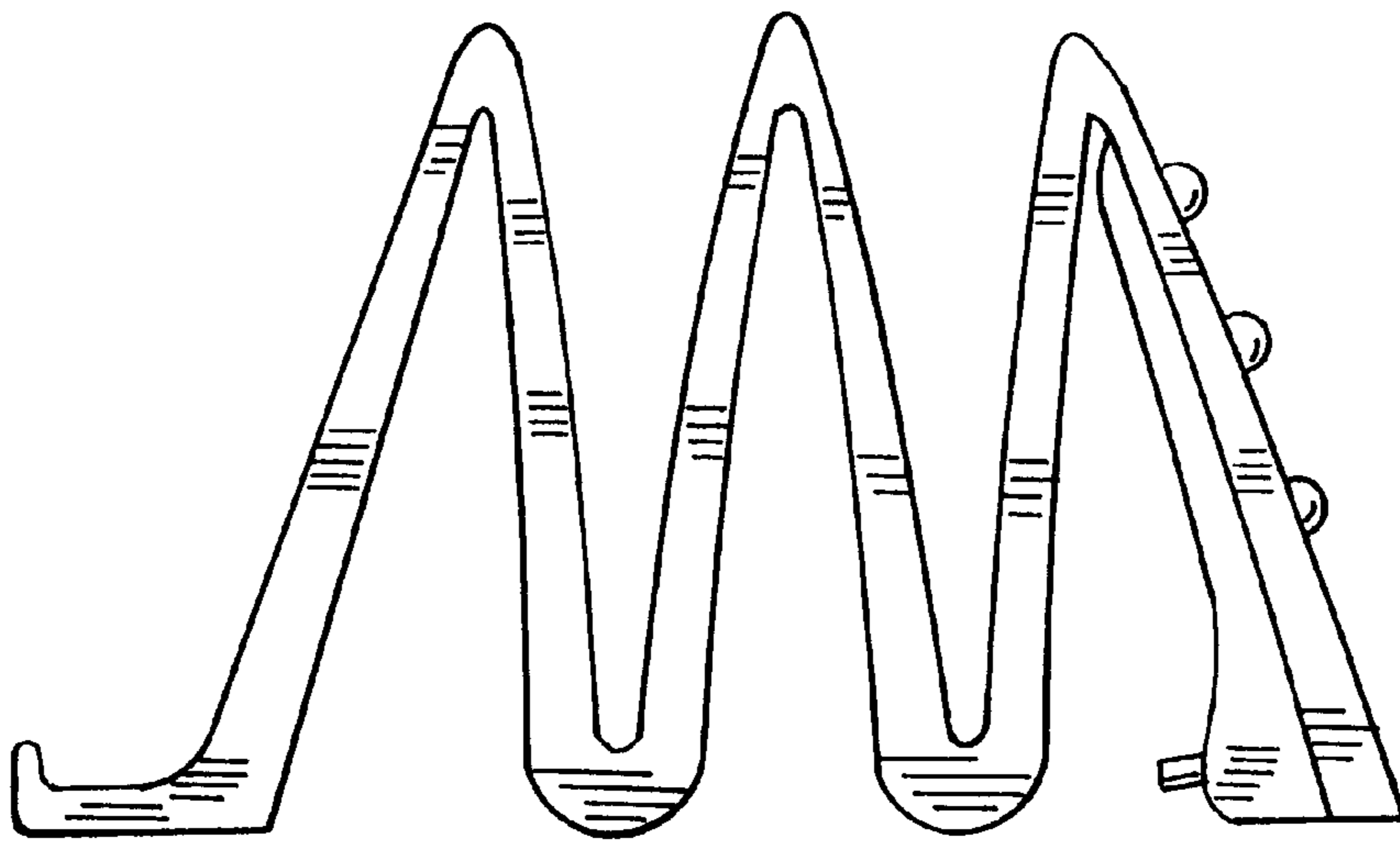


FIG. 4

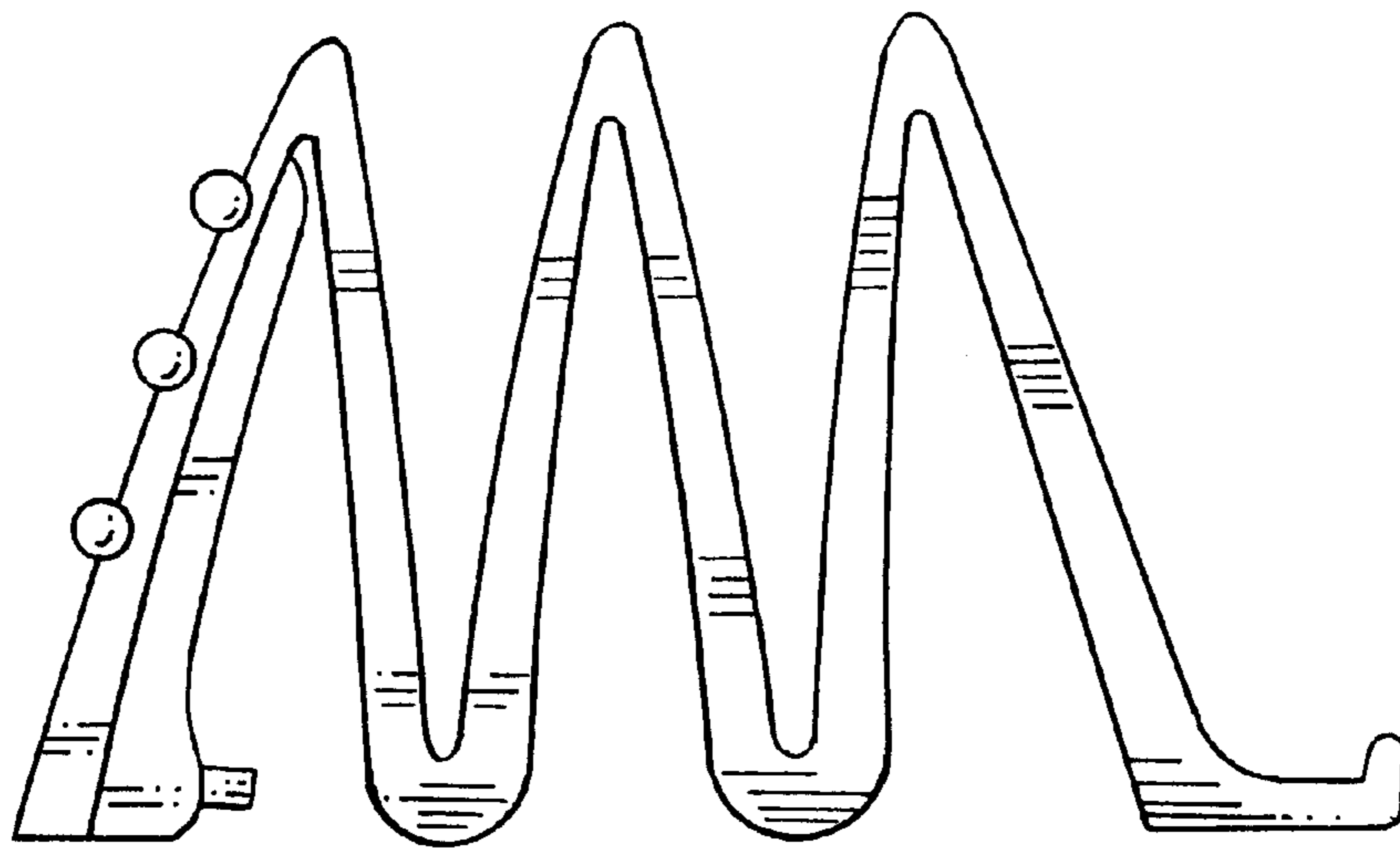


FIG. 5

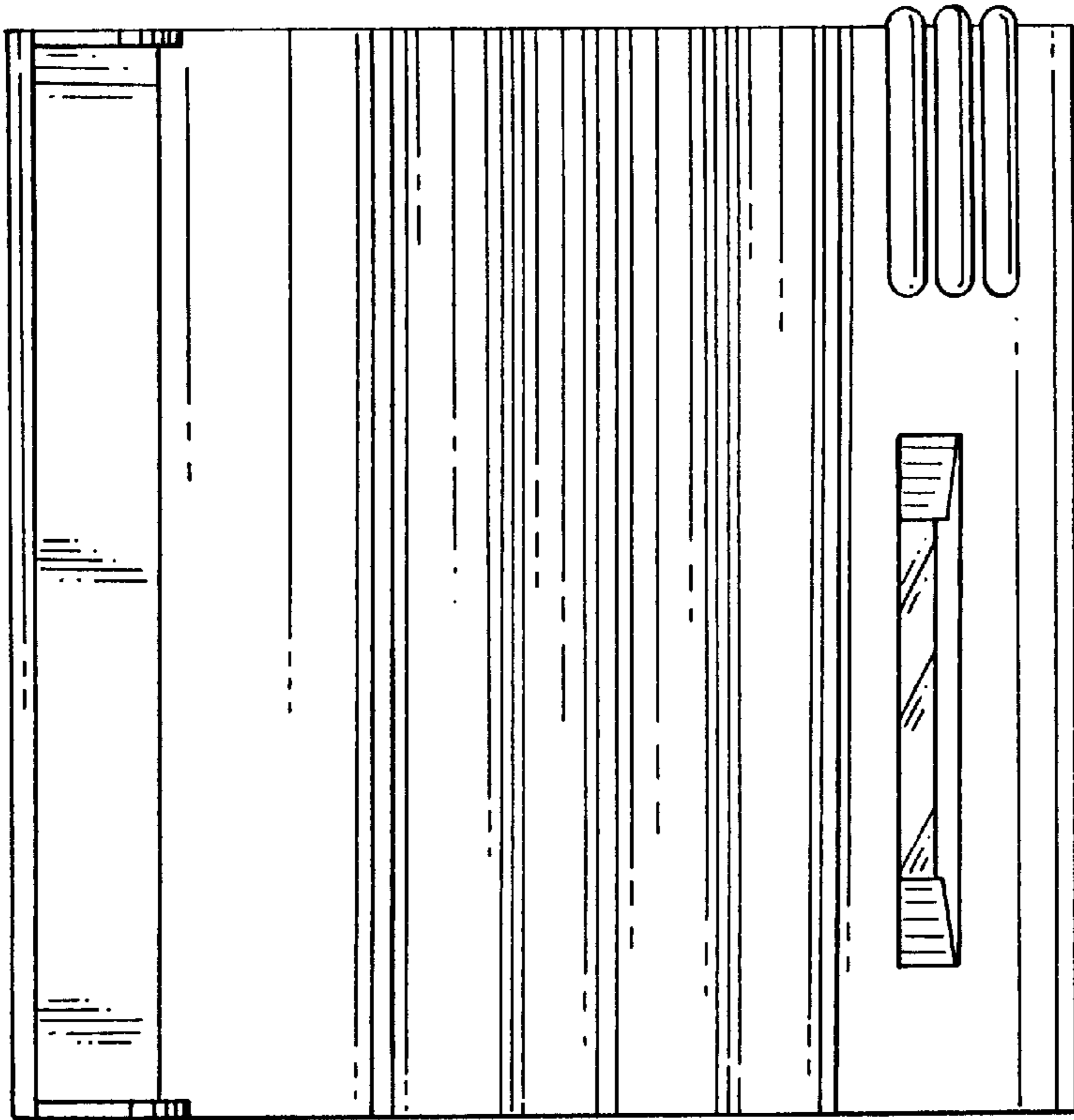


FIG. 6

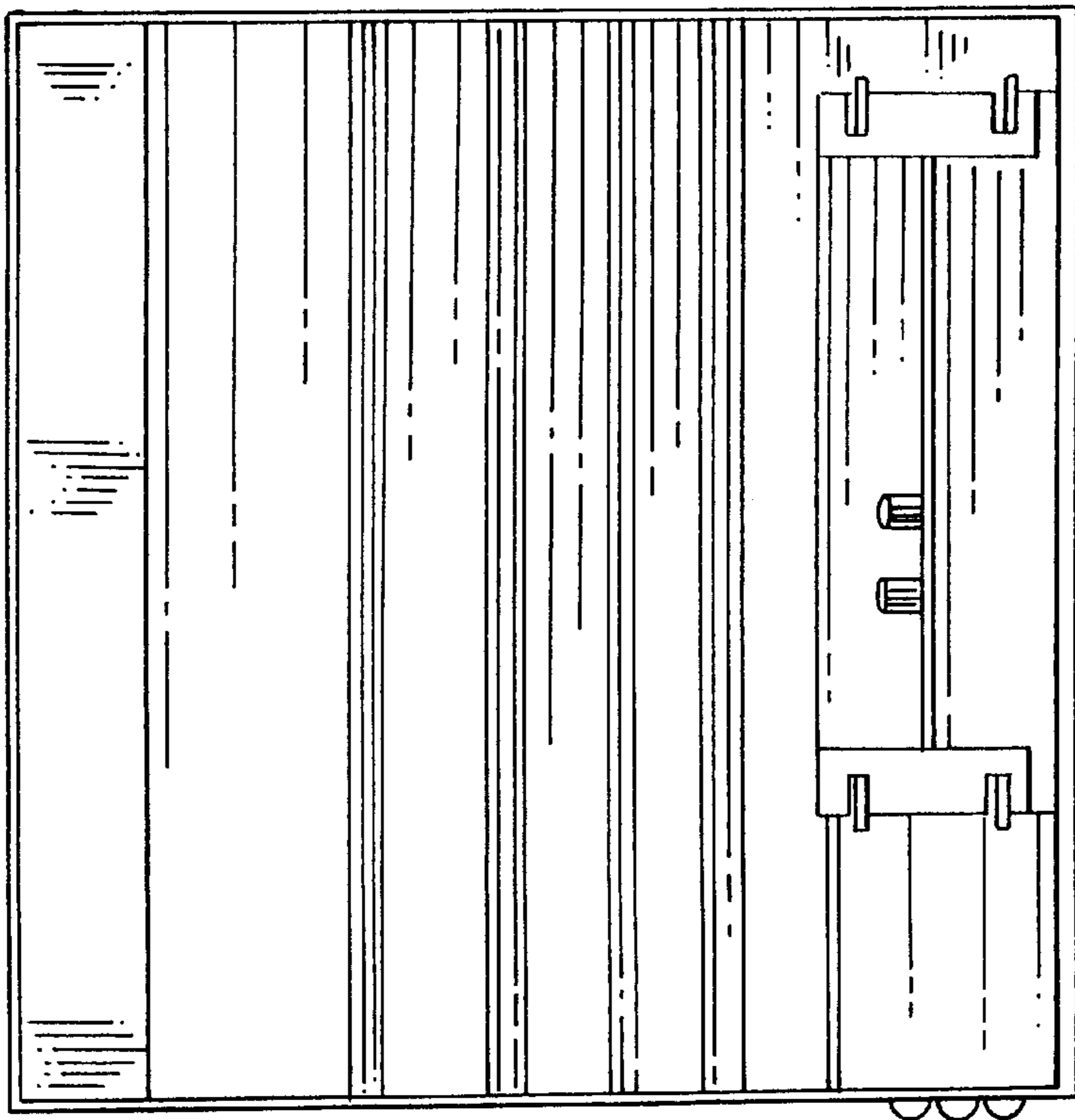


FIG. 7