



US00D420696S

United States Patent [19]

Yung et al.

[11] Patent Number: **Des. 420,696**

[45] Date of Patent: **** Feb. 15, 2000**

[54] **PRINTER CARTRIDGE**

[75] Inventors: **Yih Yung; Yen-Chi Lee**, both of Taoyuan, Taiwan

[73] Assignee: **Acer Peripherals Inc.**, Taiwan

[**] Term: **14 Years**

[21] Appl. No.: **29/098,277**

[22] Filed: **Dec. 23, 1998**

[30] Foreign Application Priority Data

Nov. 11, 1998 [TW] Taiwan 87308214

[51] **LOC (7) Cl.** **18-01**

[52] **U.S. Cl.** **D18/12**

[58] **Field of Search** D18/12, 40, 43, D18/56; D14/120, 121; 400/207, 208; 399/24, 25, 27

[56] References Cited

U.S. PATENT DOCUMENTS

- D. 314,005 1/1991 Okunomiya et al. D18/12
- D. 318,065 7/1991 Kamoda D18/12

- D. 334,021 3/1993 Nagai et al. D18/12
- D. 334,209 3/1993 Katsuno D18/56
- D. 334,585 4/1993 Okauchi D18/40
- D. 355,436 2/1995 Suwa D18/12
- D. 397,142 8/1998 Hammill et al. D18/56

Primary Examiner—Caron D. Veynar
Attorney, Agent, or Firm—Majestic, Parsons, Siebert & Hsue P.C.

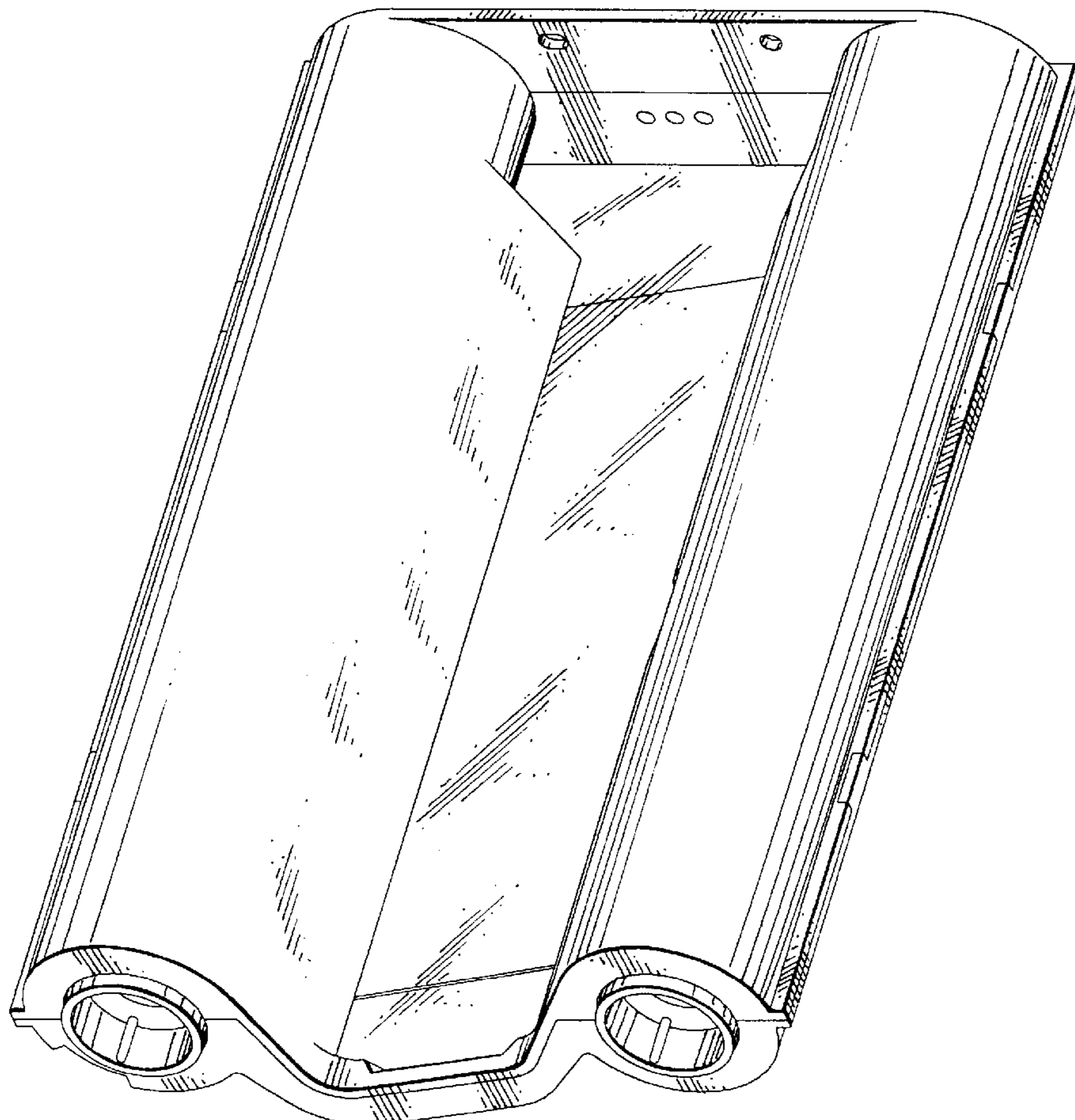
[57] CLAIM

The ornamental design for a printer cartridge, as shown and described.

DESCRIPTION

FIG. 1 is a perspective view of a printer cartridge showing our design;
 FIG. 2 is a front view of the printer cartridge of FIG. 1;
 FIG. 3 is a top plan view of the printer cartridge of FIG. 1;
 FIG. 4 is a bottom plan view of the printer cartridge of FIG. 1;
 FIG. 5 is a left side view of the printer cartridge of FIG. 1;
 FIG. 6 is a right side view of the printer cartridge of FIG. 1;
 and,
 FIG. 7 is a rear view of the printer cartridge of FIG. 1.

1 Claim, 7 Drawing Sheets



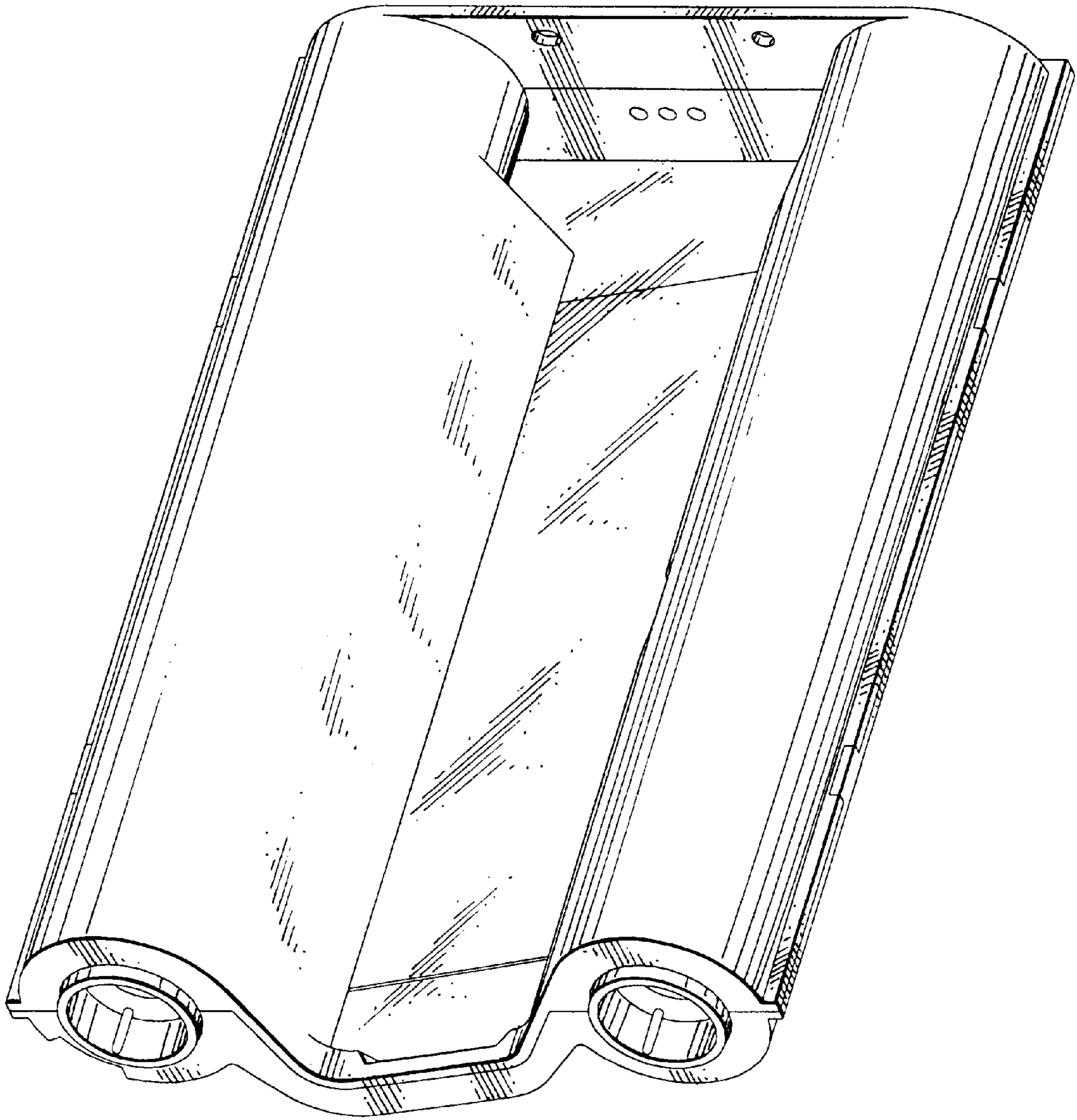


FIG. 1

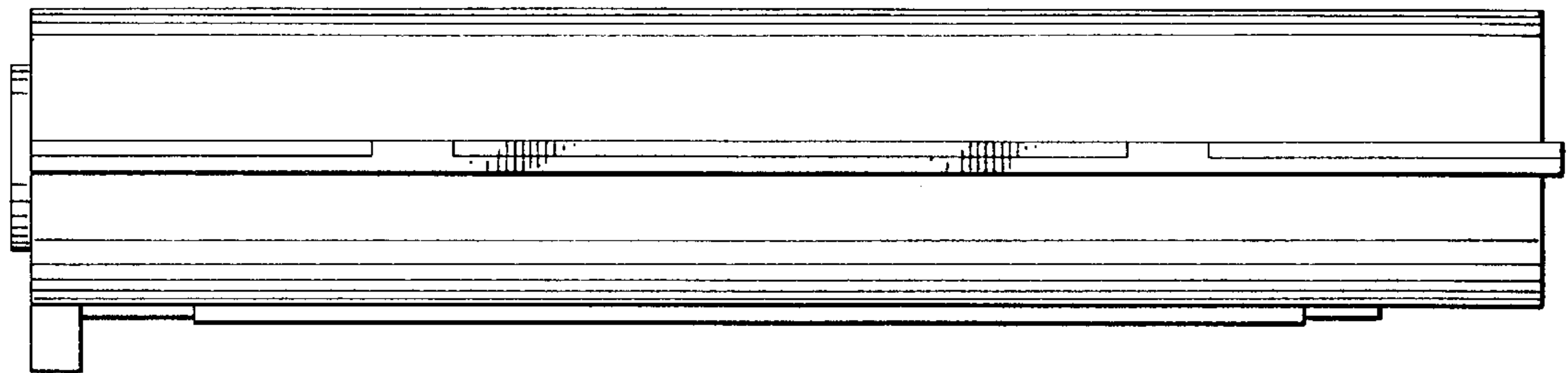


FIG. 2

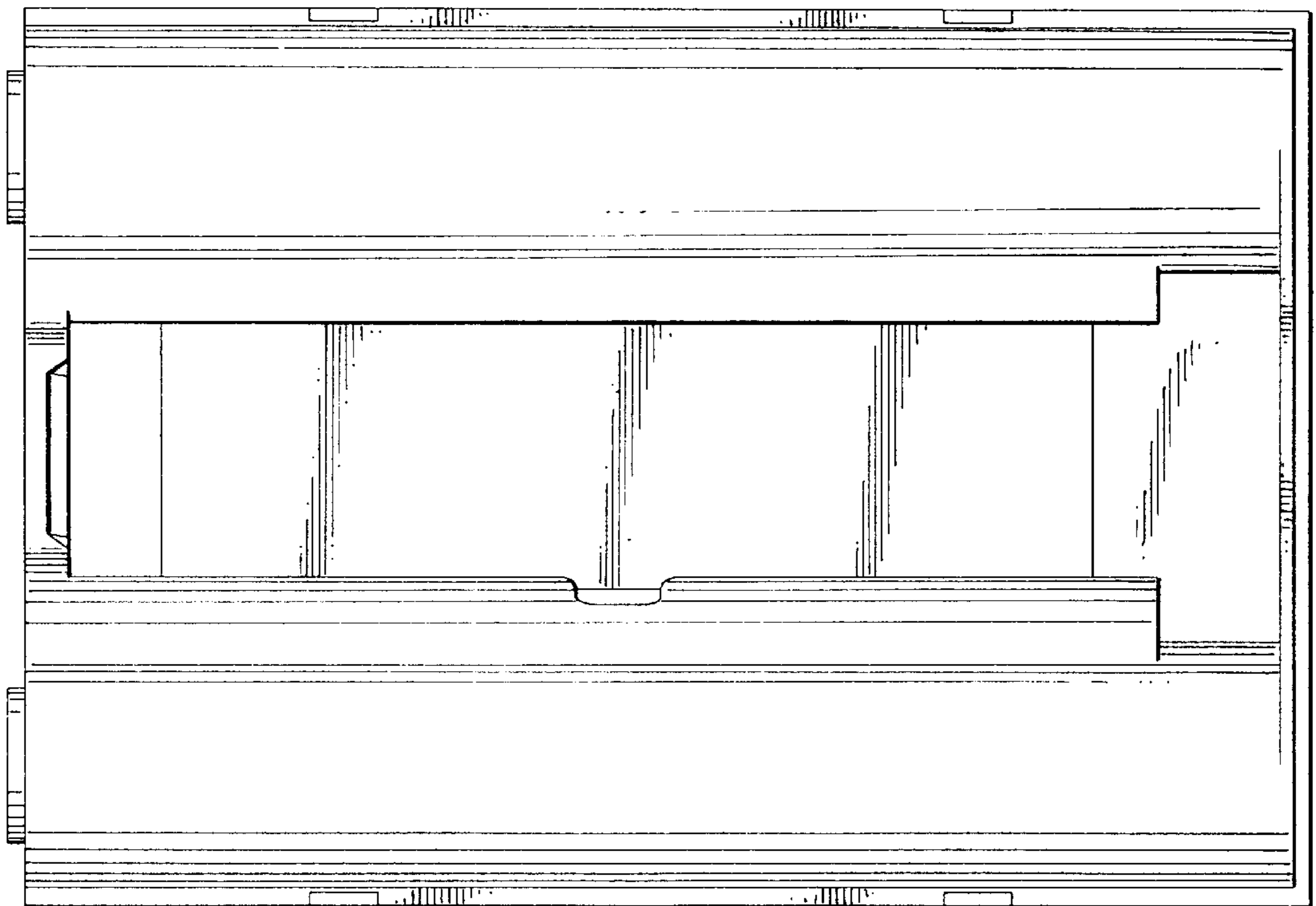


FIG. 3

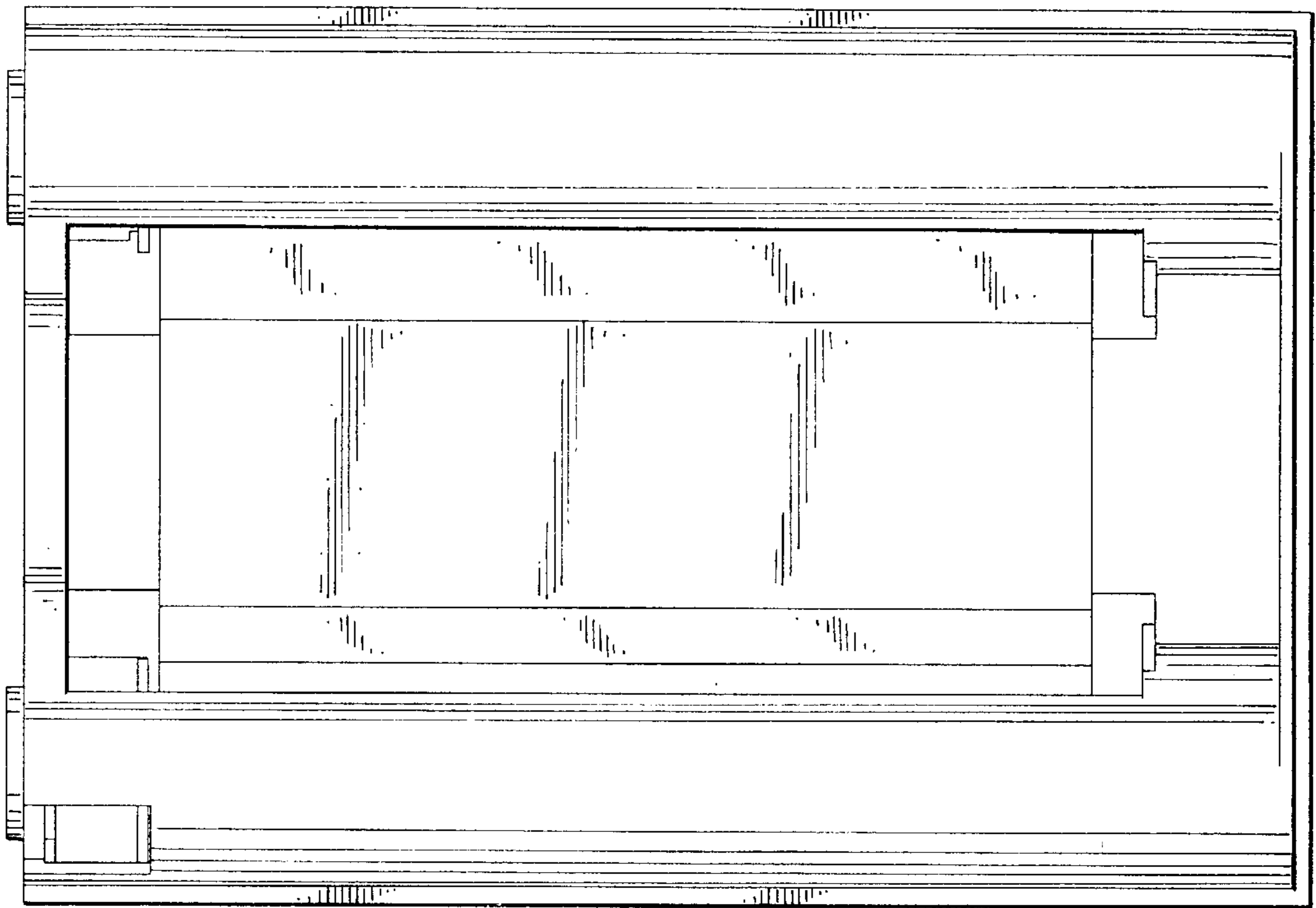


FIG. 4

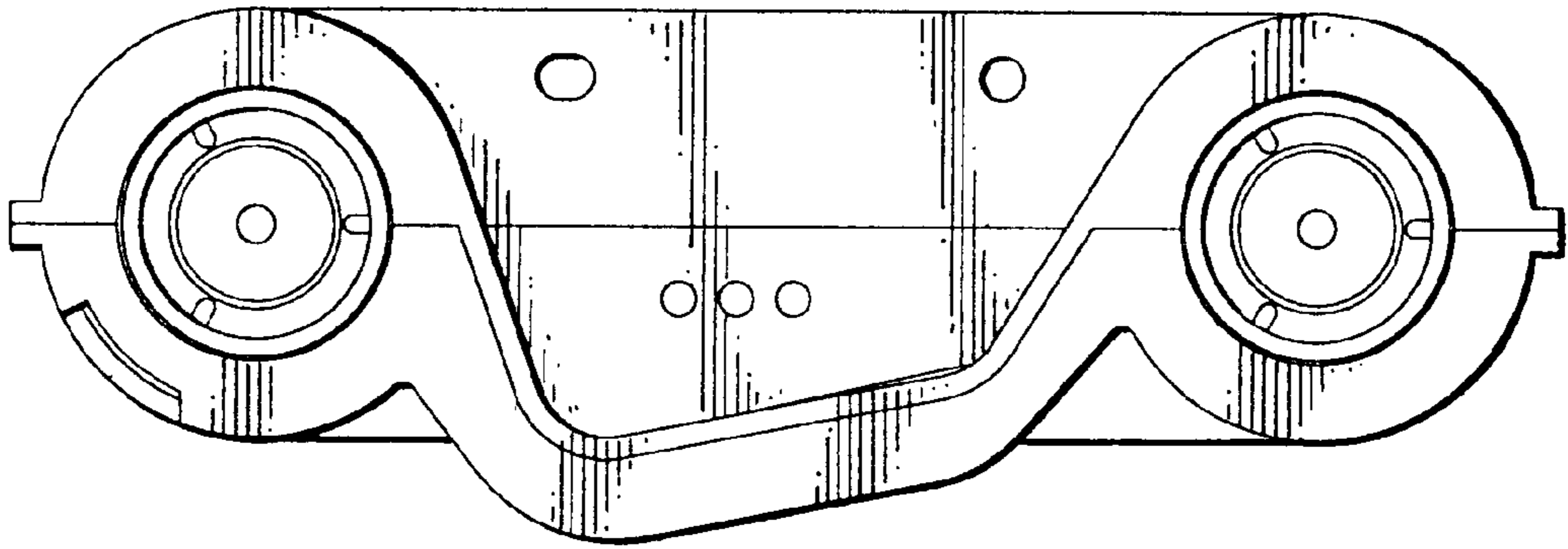


FIG. 5

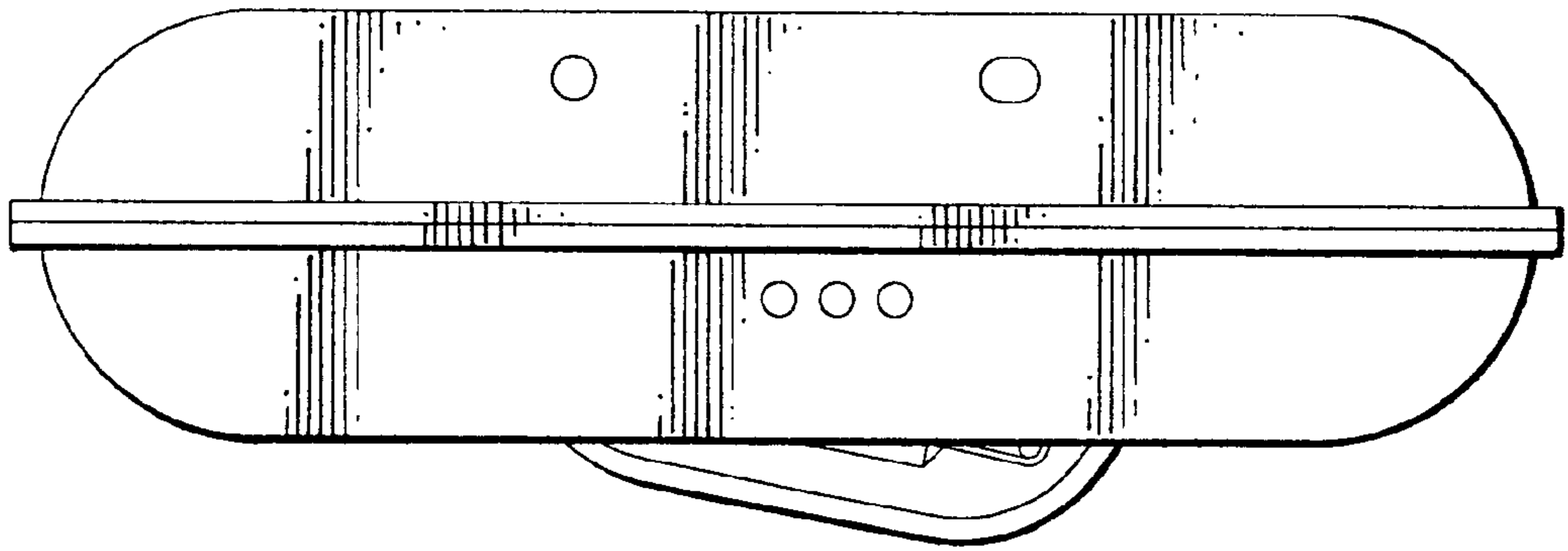


FIG. 6

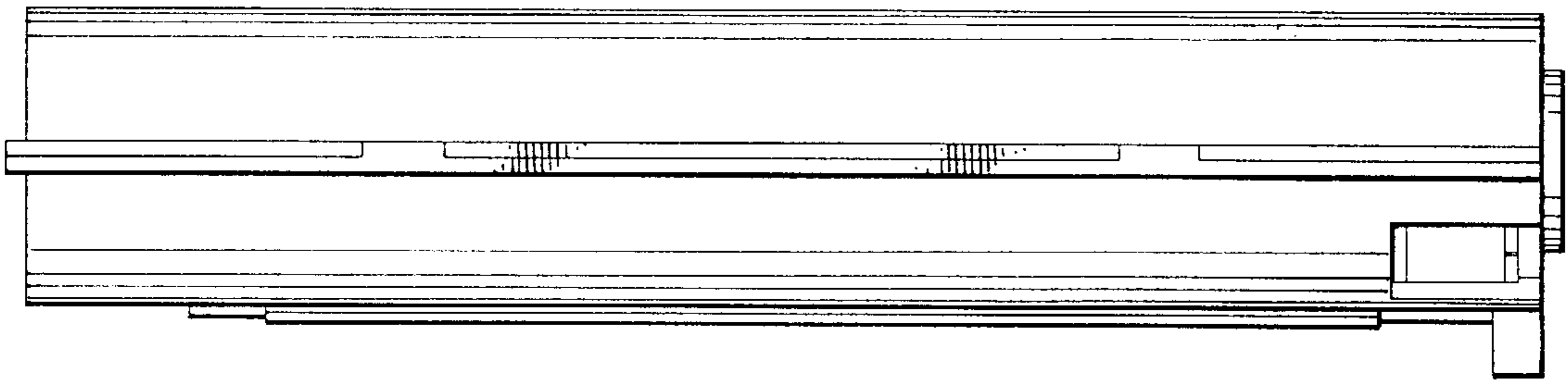


FIG. 7