



US00D420691S

United States Patent [19] Adachi

[11] Patent Number: **Des. 420,691**

[45] Date of Patent: **** Feb. 15, 2000**

[54] PROJECTOR

[75] Inventor: **Tomoyuki Adachi**, Kounan, Japan

[73] Assignee: **Elmo Company Limited**, Japan

[**] Term: **14 Years**

[21] Appl. No.: **29/105,667**

[22] Filed: **May 28, 1999**

[51] LOC (7) Cl. **16-02**

[52] U.S. Cl. **D16/231; D16/221; D16/225**

[58] Field of Search D16/205, 208,
D16/221, 225, 230, 231, 234; D21/514;
352/34, 242, 243; 353/115, 119, 122

[56] References Cited

U.S. PATENT DOCUMENTS

D. 371,148	6/1996	Kobayashi et al.	D16/221
D. 392,302	3/1998	Oota et al.	D16/230
D. 398,622	9/1998	Saeki et al.	D16/231
D. 401,260	11/1998	Kodama et al.	D16/225
D. 401,261	11/1998	Yamazaki et al.	D16/225
D. 410,020	5/1999	Adachi	D16/231
5,868,485	2/1999	Fujimori et al.	353/119

OTHER PUBLICATIONS

Sanyo catalog, cover page [LP- XG70 (H)] Aug. 1997.
3-2 Elmo Brochure EDP-5700, issued Jun., 1999.
3-1 Elmo Brochure EDP-3000, issued Oct., 1998.

Primary Examiner—Adir Aronovich
Attorney, Agent, or Firm—Ostrolenk, Faber, Gerb & Soffen, LLP

[57] CLAIM

The ornamental design for a projector, as shown.

DESCRIPTION

FIG. 1 is a front view of the projector embodying my new design;

FIG. 2 is a rear view thereof;

FIG. 3 is a left side view thereof;

FIG. 4 is a right side view thereof;

FIG. 5 is a bottom plan view thereof;

FIG. 6 is a top plan view thereof;

FIG. 7 is a perspective view as seen from the top and left-front of FIG. 1; and,

FIG. 8 is a perspective view as seen from the top and right-front of FIG. 1.

1 Claim, 8 Drawing Sheets

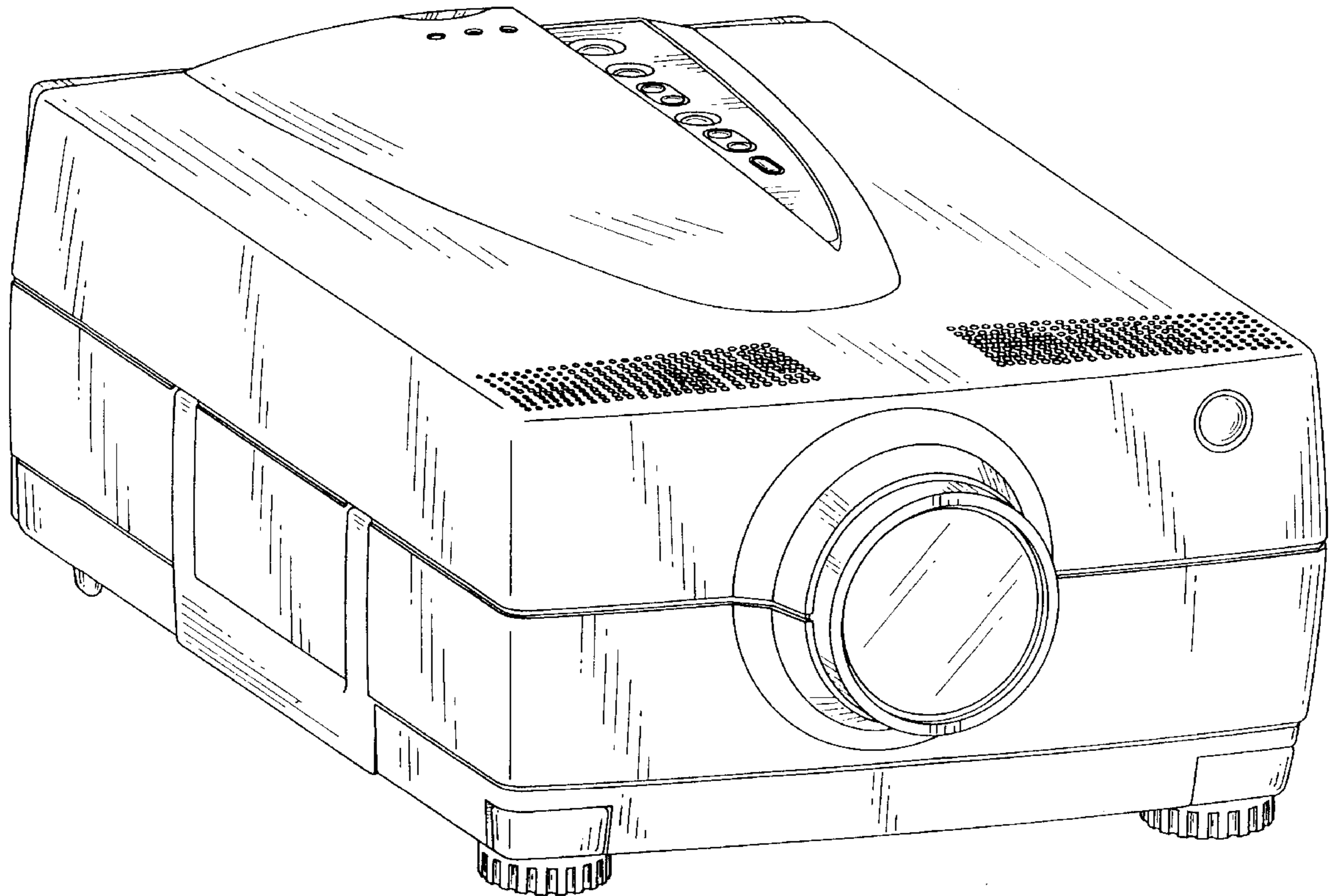


Fig. 1

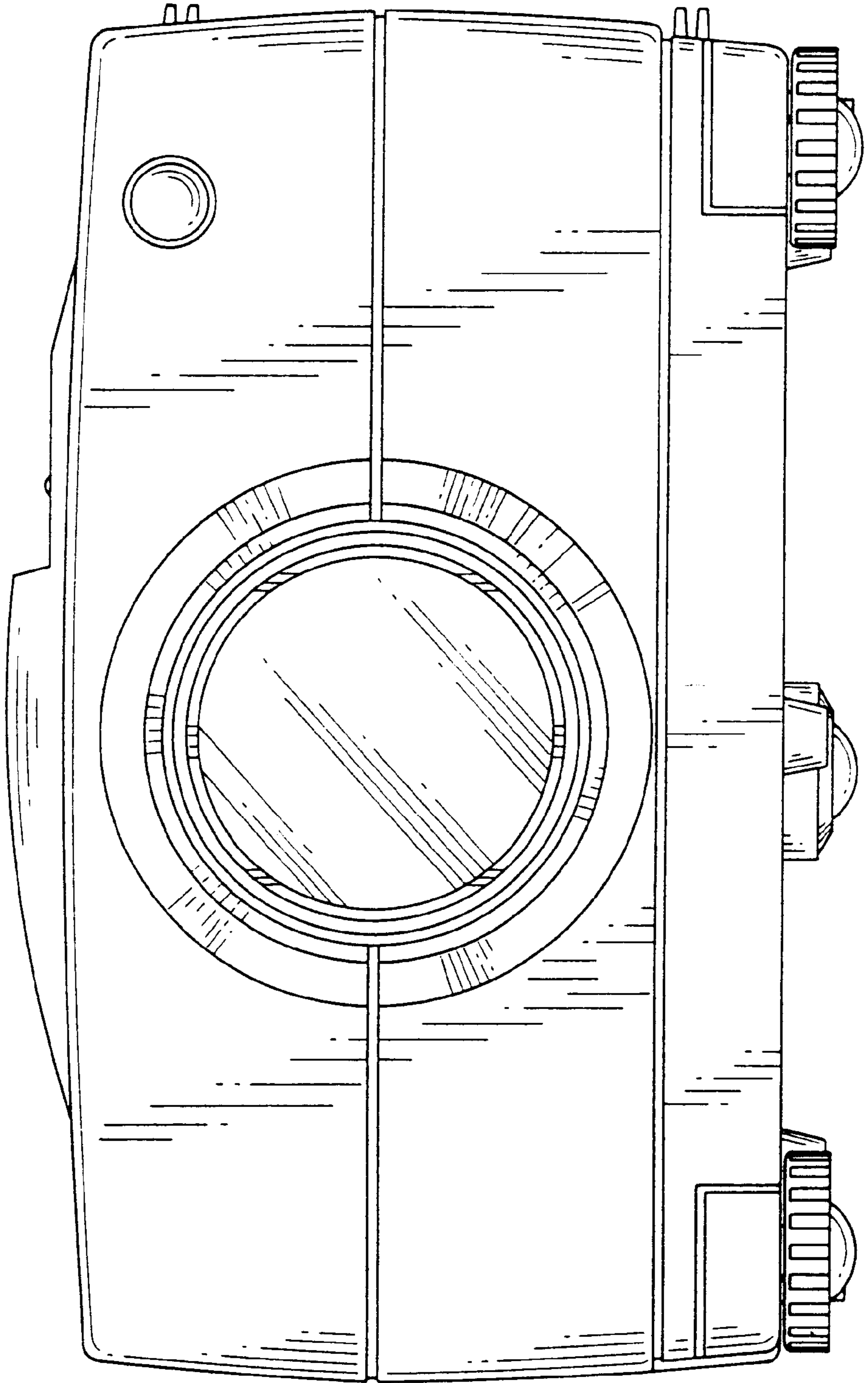


Fig. 2

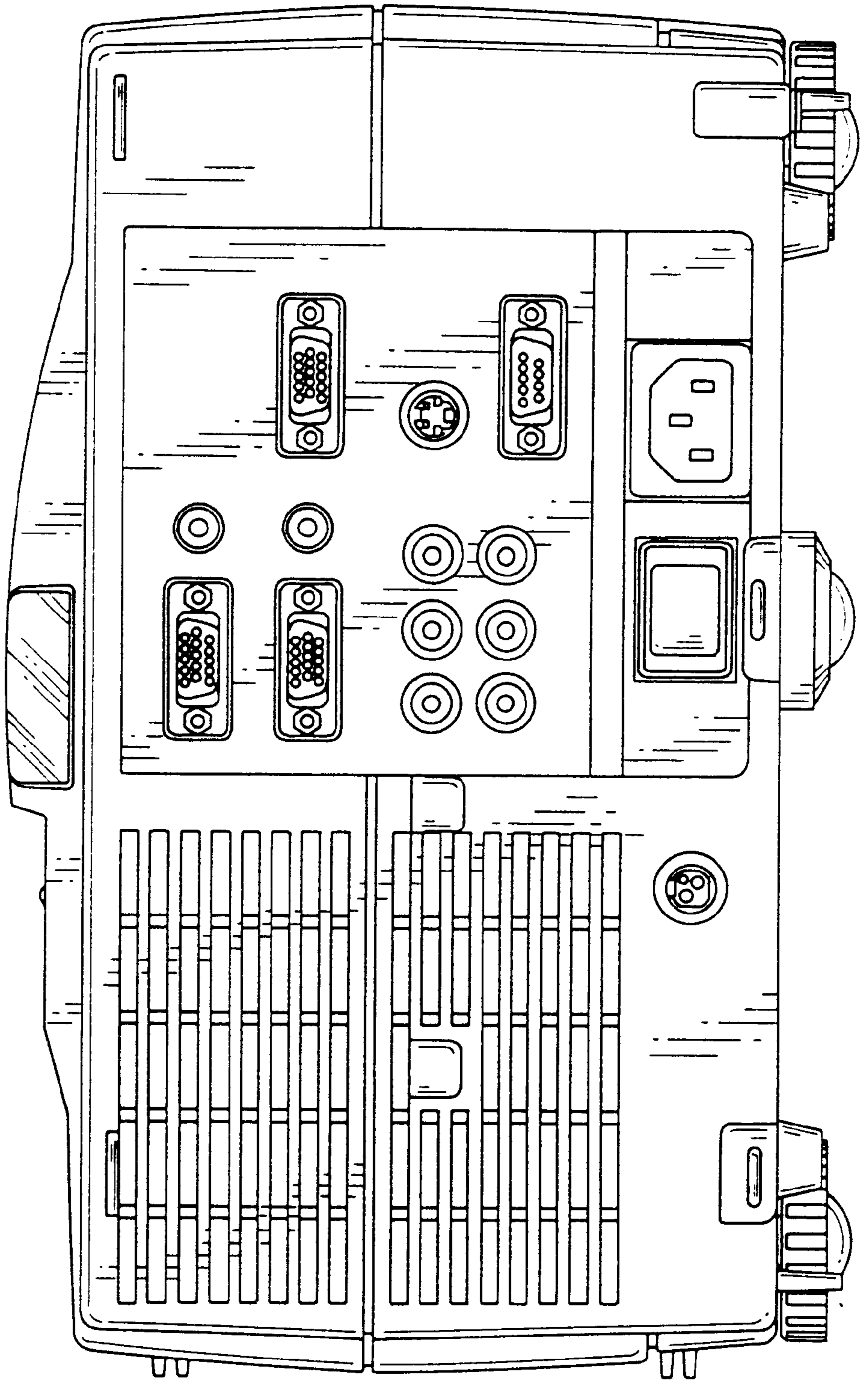


Fig. 3

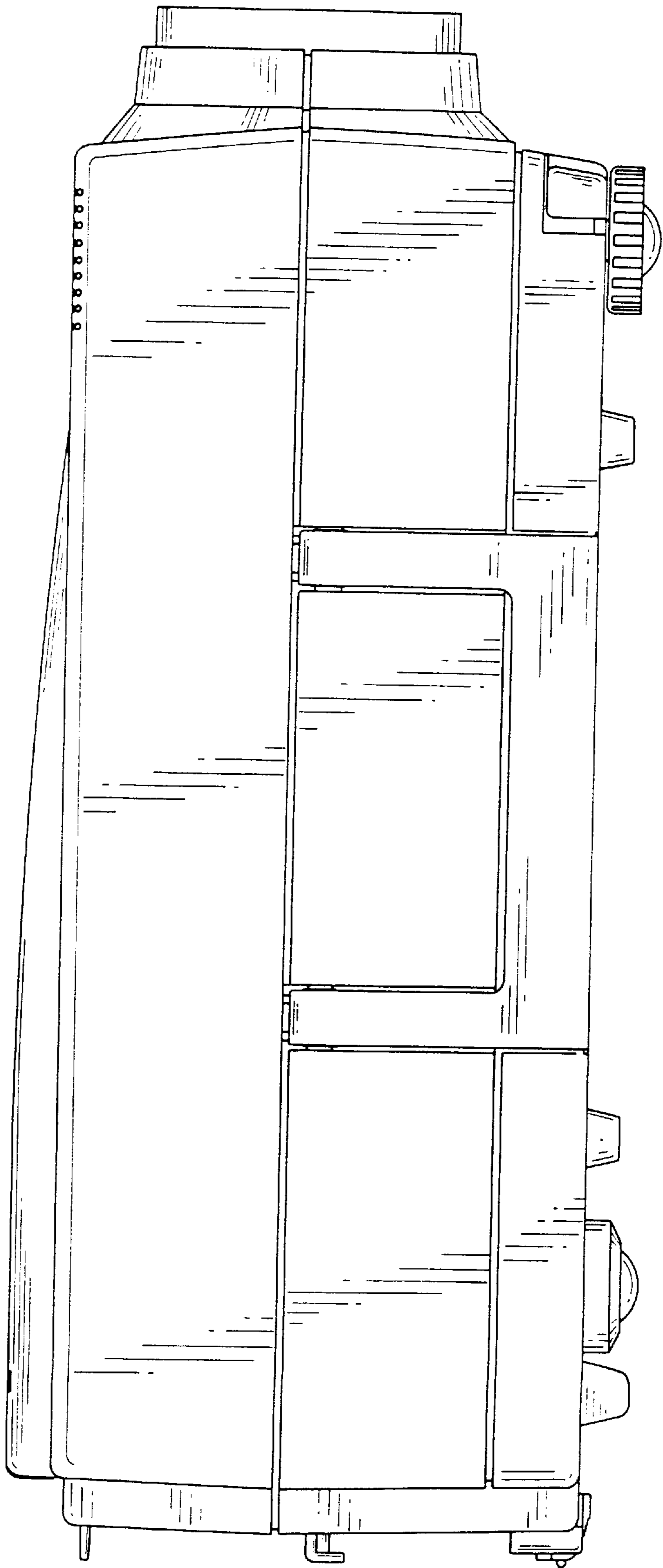


Fig. 4

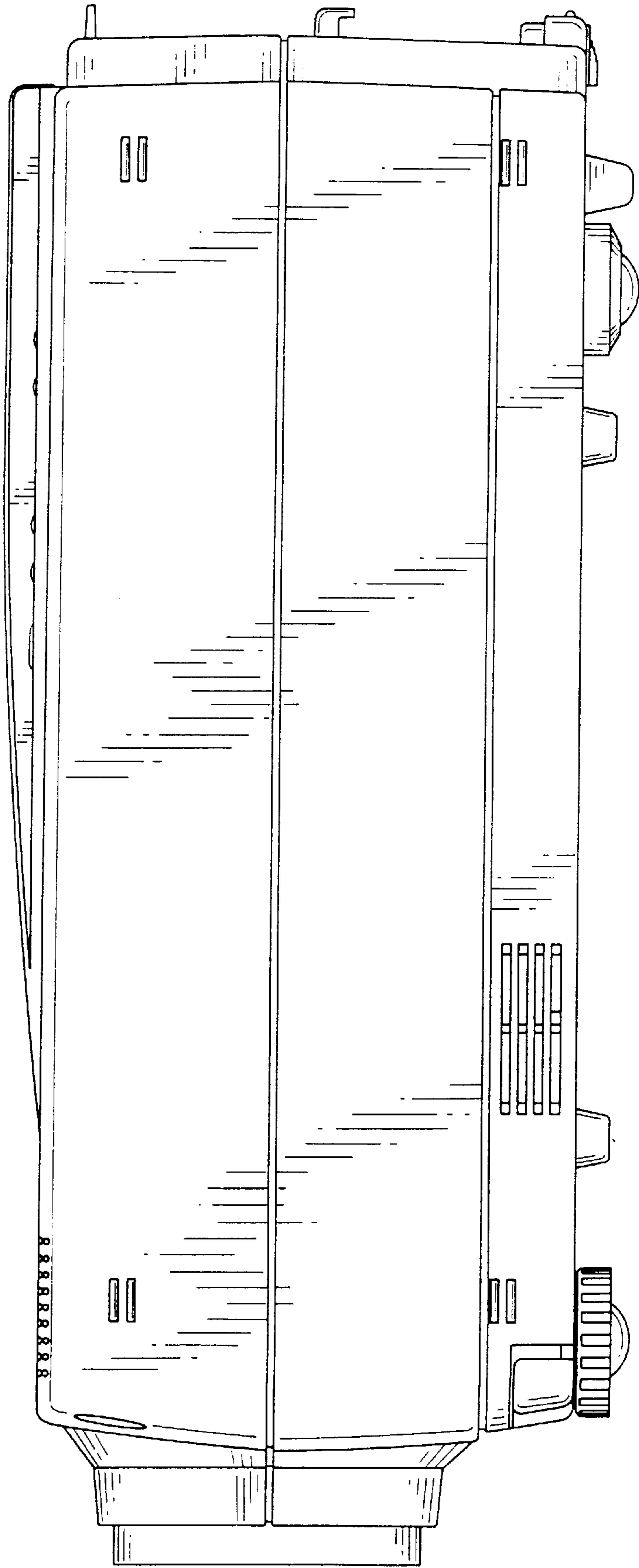


Fig. 5

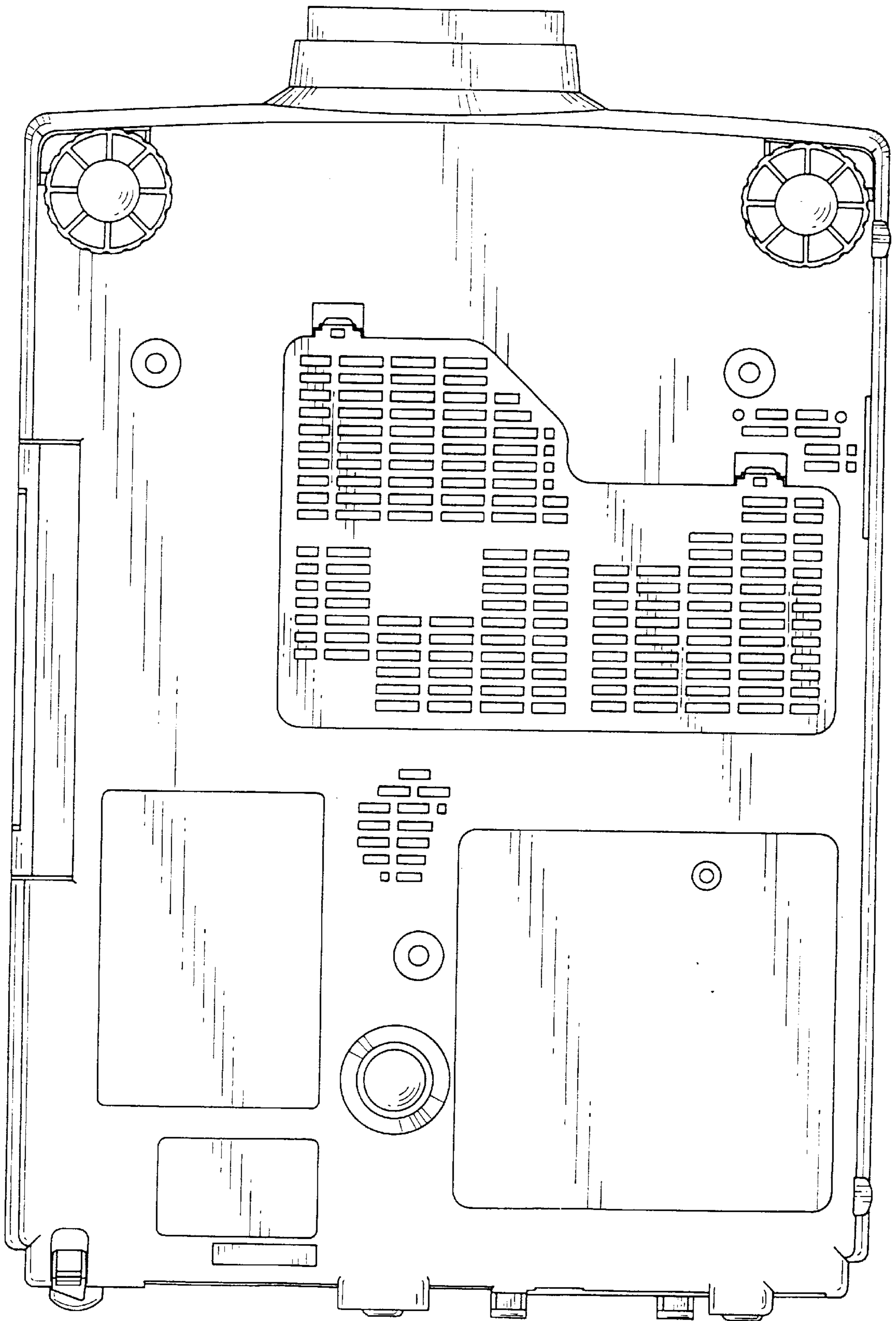


Fig. 6

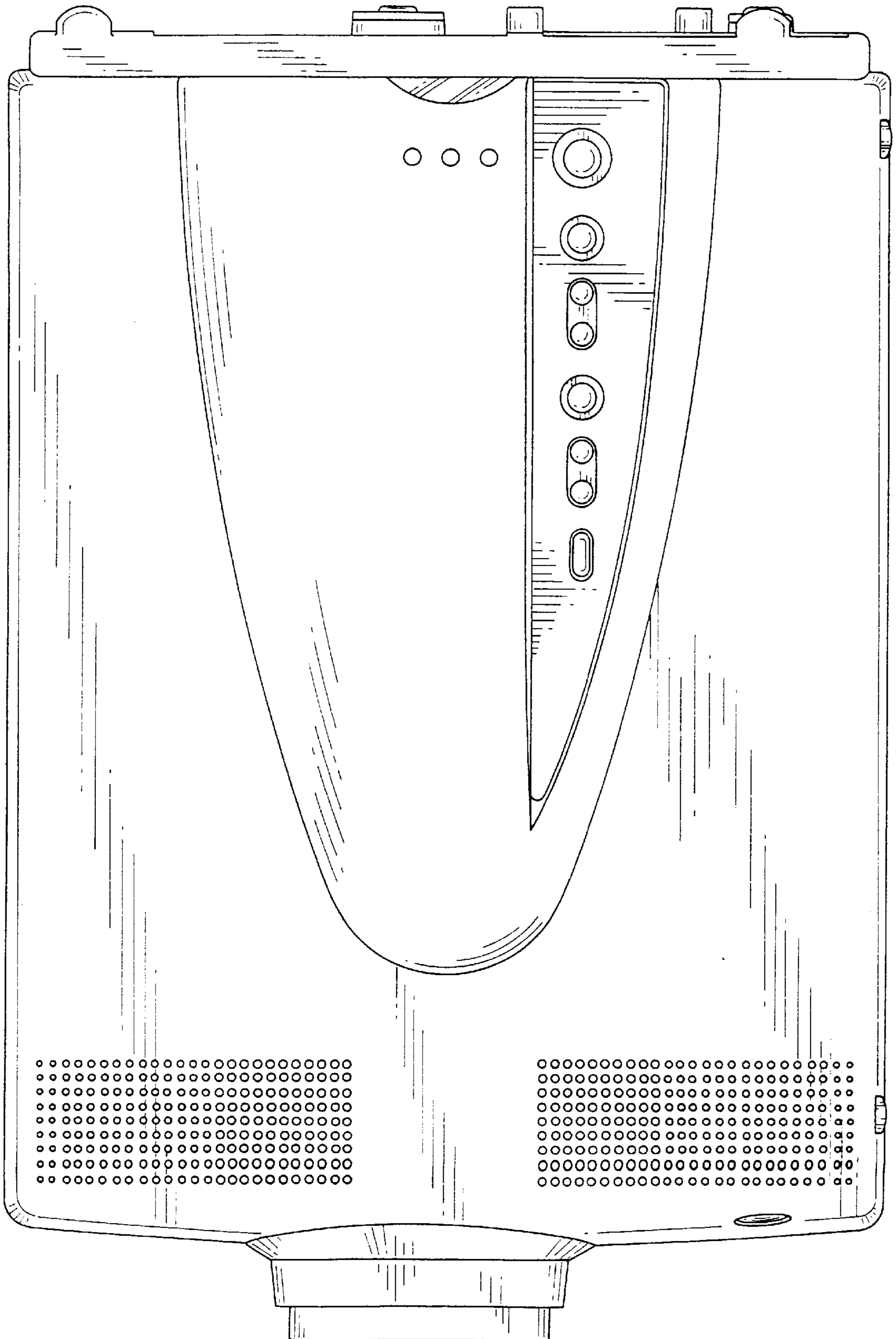


Fig. 7

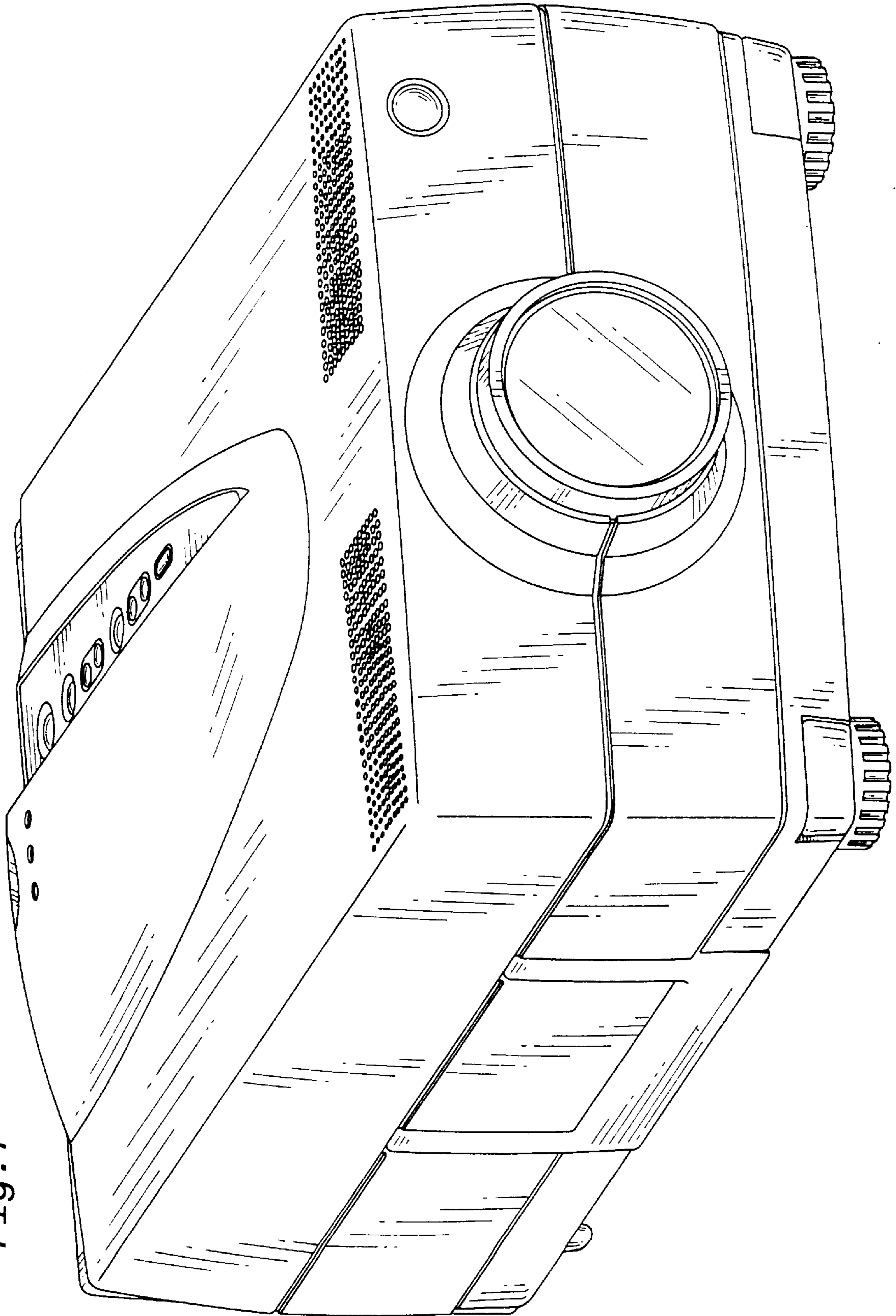


Fig. 8

