



US00D420690S

United States Patent [19]
Konno

[11] **Patent Number: Des. 420,690**

[45] **Date of Patent: ** Feb. 15, 2000**

[54] **BINOCULARS**

[75] Inventor: **Jun Konno**, Shinagawa-ku, Japan

[73] Assignee: **Nikon Corporation**, Tokyo, Japan

[**] Term: **14 Years**

[21] Appl. No.: **29/101,893**

[22] Filed: **Mar. 12, 1999**

[30] **Foreign Application Priority Data**

Sep. 16, 1998 [JP] Japan 10-26538

[51] **LOC (7) Cl.** **16-06**

[52] **U.S. Cl.** **D16/133**

[58] **Field of Search** D16/130, 133;
359/407, 408, 409, 410, 411, 412, 413,
414, 415, 416, 417, 418, 419, 420, 422

[56] **References Cited**

U.S. PATENT DOCUMENTS

- D. 311,748 10/1990 Kwon D16/133
- D. 349,509 8/1994 Williams, Jr. et al. D16/130
- D. 359,973 7/1995 Hayamizu D16/133

- D. 377,185 1/1997 Nojima D16/133
- D. 383,474 9/1997 Hashimoto D16/133
- D. 394,666 5/1998 Ono D16/133
- 3,312,518 4/1967 Bushnell 359/407
- 5,074,652 12/1991 Addy 359/414
- 5,583,692 12/1996 Funatsu 359/422
- 5,644,426 7/1997 Hotta 359/409

Primary Examiner—Paula A. Mortimer
Attorney, Agent, or Firm—Oliff & Berridge, PLC

[57] **CLAIM**

The ornamental design for binoculars, as shown.

DESCRIPTION

FIG. 1 is a front elevational view of binoculars showing my new design;
FIG. 2 is a left side elevational view thereof;
FIG. 3 is a rear elevational view thereof;
FIG. 4 is a right side elevational view thereof;
FIG. 5 is a top plan view thereof;
FIG. 6 is a bottom plan view thereof;
FIG. 7 is a front perspective view thereof; and,
FIG. 8 is a front perspective view of the binocular in a collapsed position.

1 Claim, 4 Drawing Sheets



FIG. 1

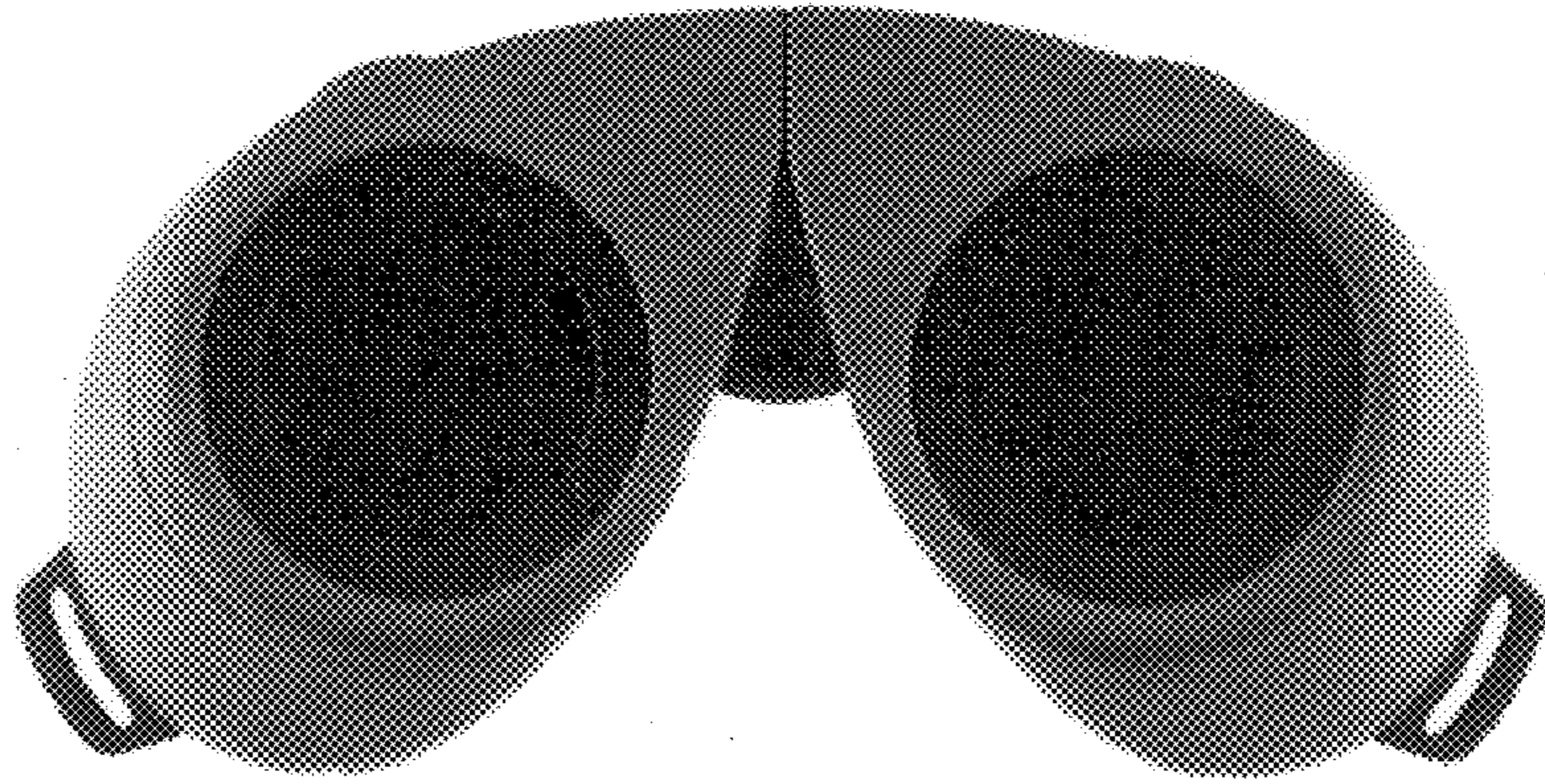


FIG. 2

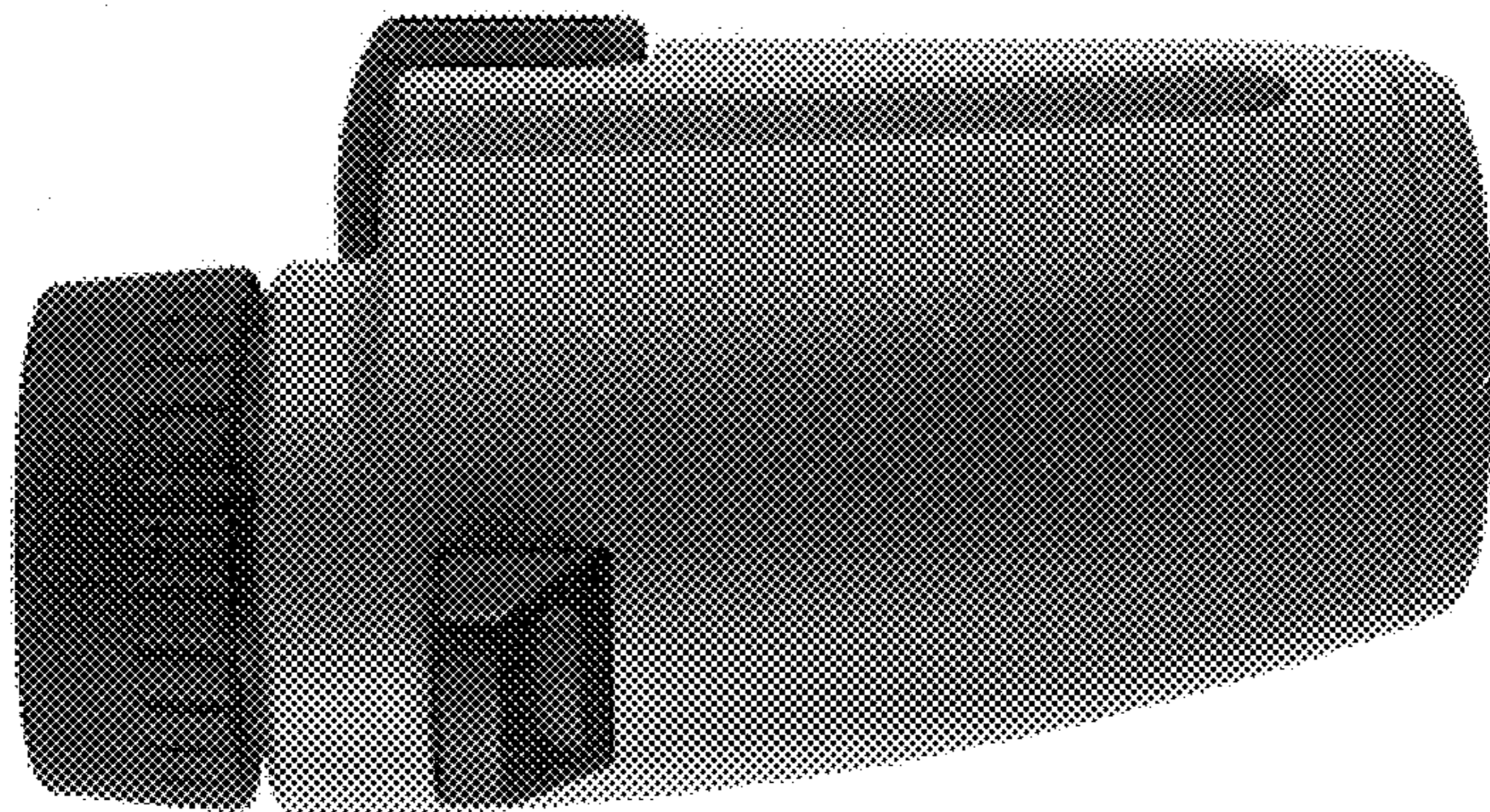


FIG. 3

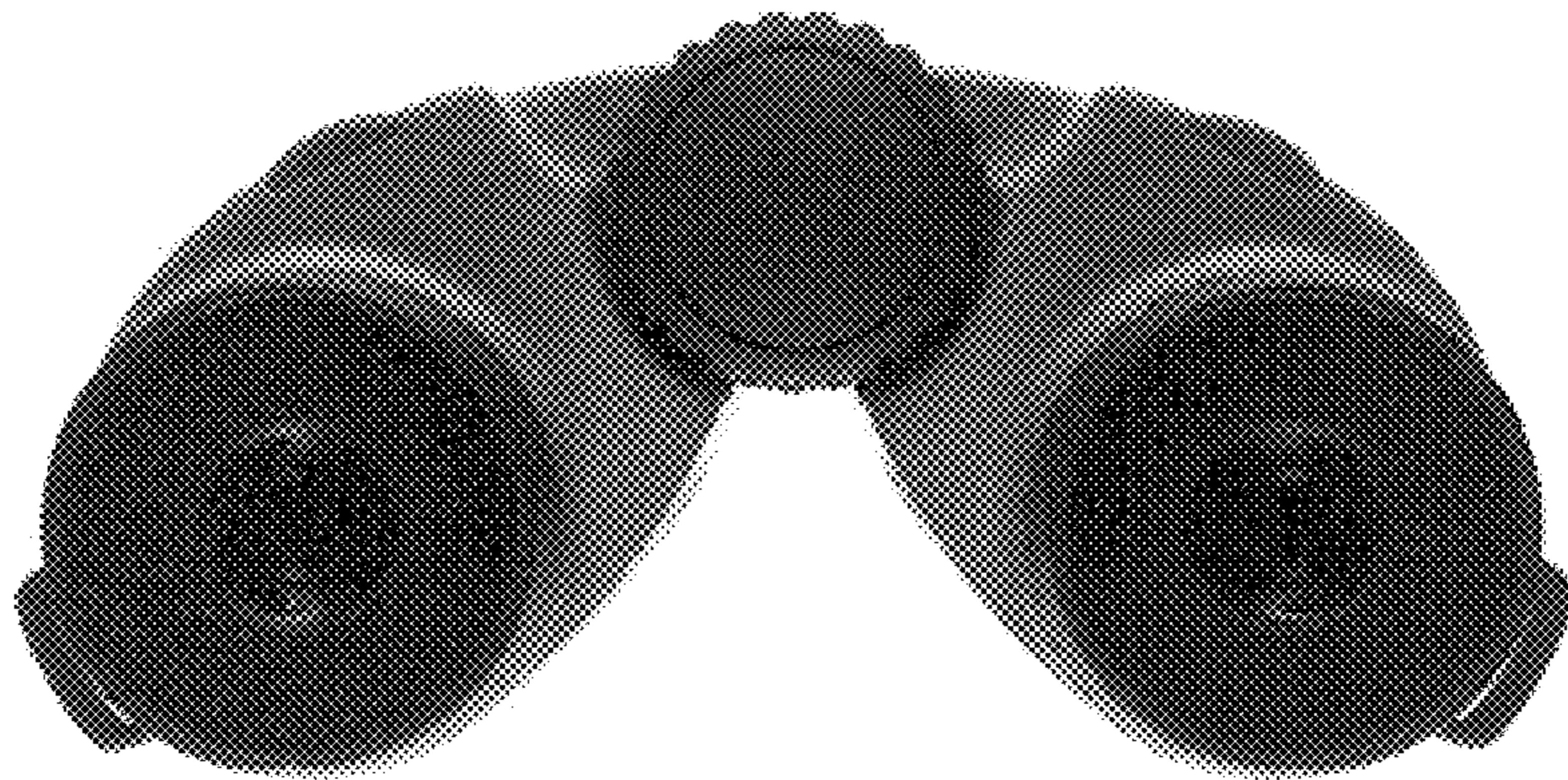


FIG. 4

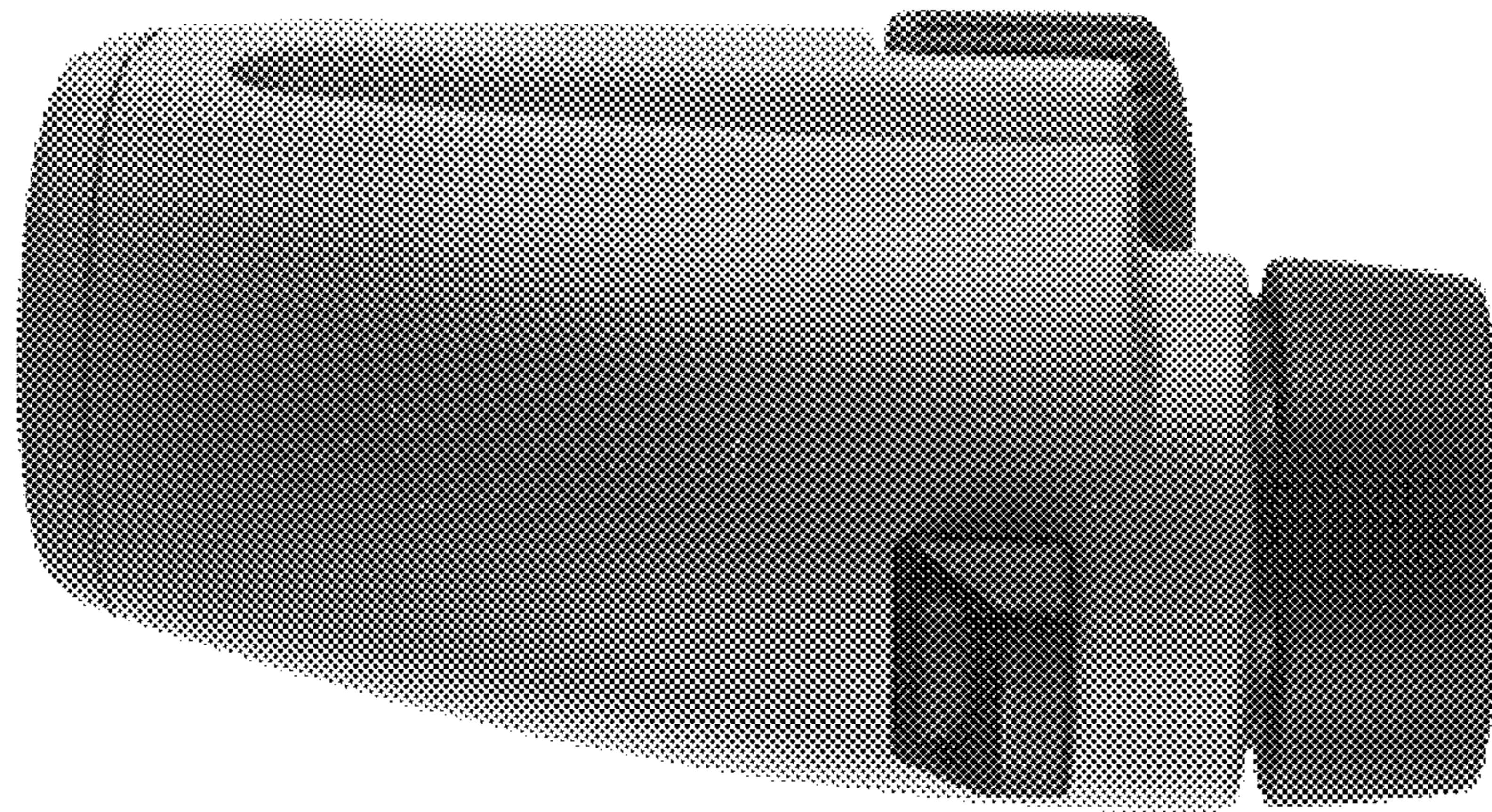


FIG. 5



FIG. 6



FIG. 7



FIG. 8

