



US00D420688S

United States Patent [19]
Ichihara

[11] **Patent Number: Des. 420,688**

[45] **Date of Patent: ** Feb. 15, 2000**

[54] **BEARING UNIT**

[76] Inventor: **Takashi Ichihara**, 16, Hondacho
2-chome, Midori-ku, Chiba-shi Chiba,
Japan

[**] Term: **14 Years**

[21] Appl. No.: **29/104,191**

[22] Filed: **Apr. 28, 1999**

[30] **Foreign Application Priority Data**

Nov. 6, 1998 [JP] Japan 10-32103
Nov. 6, 1998 [JP] Japan 10-32104

[51] **LOC (7) Cl.** **15-09**

[52] **U.S. Cl.** **D15/143**

[58] **Field of Search** D15/143; 384/537,
384/428, 412

[56] **References Cited**

U.S. PATENT DOCUMENTS

D. 199,454 10/1964 Bradbury D15/143
D. 363,500 10/1995 Ichihara D15/143
D. 371,139 6/1996 Waskiewicz D15/143 X
5,505,546 4/1996 Okude 384/428

Primary Examiner—Antoine Duval Davis
Attorney, Agent, or Firm—Sughrue, Mion, Zinn, Macpeak
& Seas, PLLC

[57] **CLAIM**

The ornamental design for a bearing unit, as shown and described.

DESCRIPTION

FIG. 1 is a perspective view of the top, front and one side of a bearing unit showing my new design according to a first embodiment;

FIG. 2 is a top plan view thereof;

FIG. 3 is a front elevational view thereof, the rear elevational view being a mirror image thereof;

FIG. 4 is a left side elevational view thereof, the right side elevational view being a mirror image thereof;

FIG. 5 is a bottom plan view thereof;

FIG. 6 is a perspective view similar to FIG. 1 of a second embodiment;

FIG. 7 is a top plan view thereof; and,

FIG. 8 is a bottom plan view thereof.

The front, rear and side elevational views of the second embodiment are identical to those of the first embodiment.

1 Claim, 4 Drawing Sheets

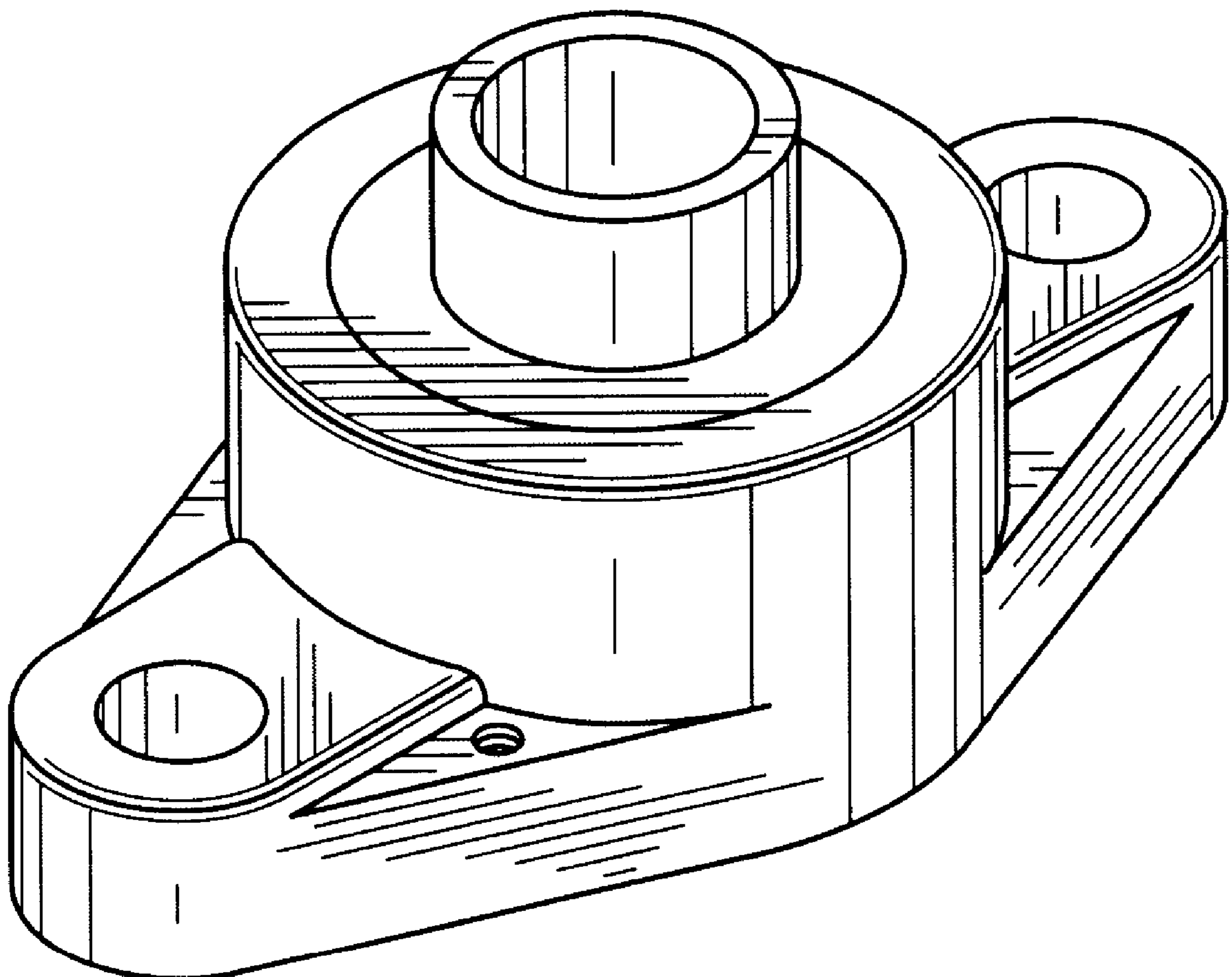


FIG. 1

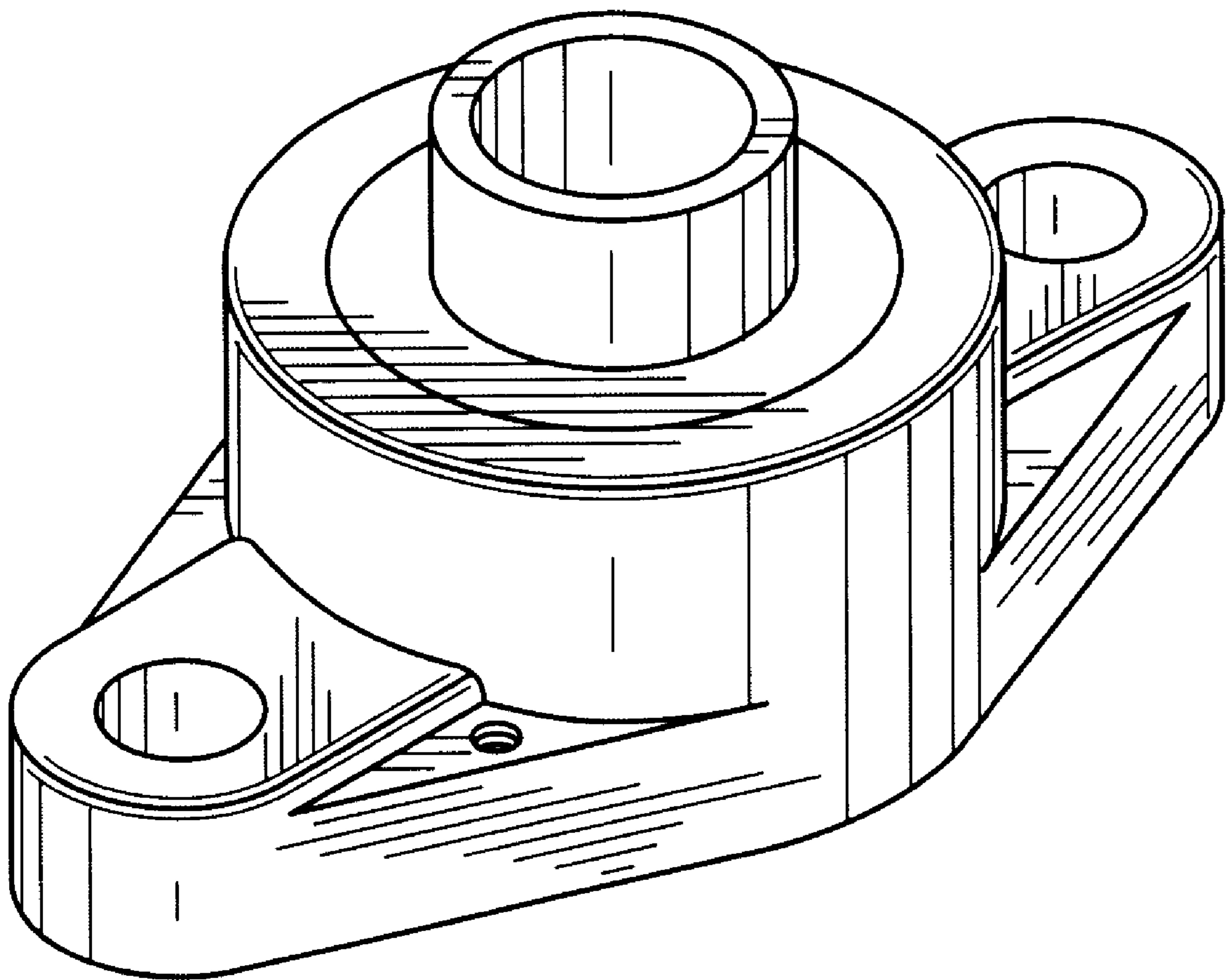


FIG. 2

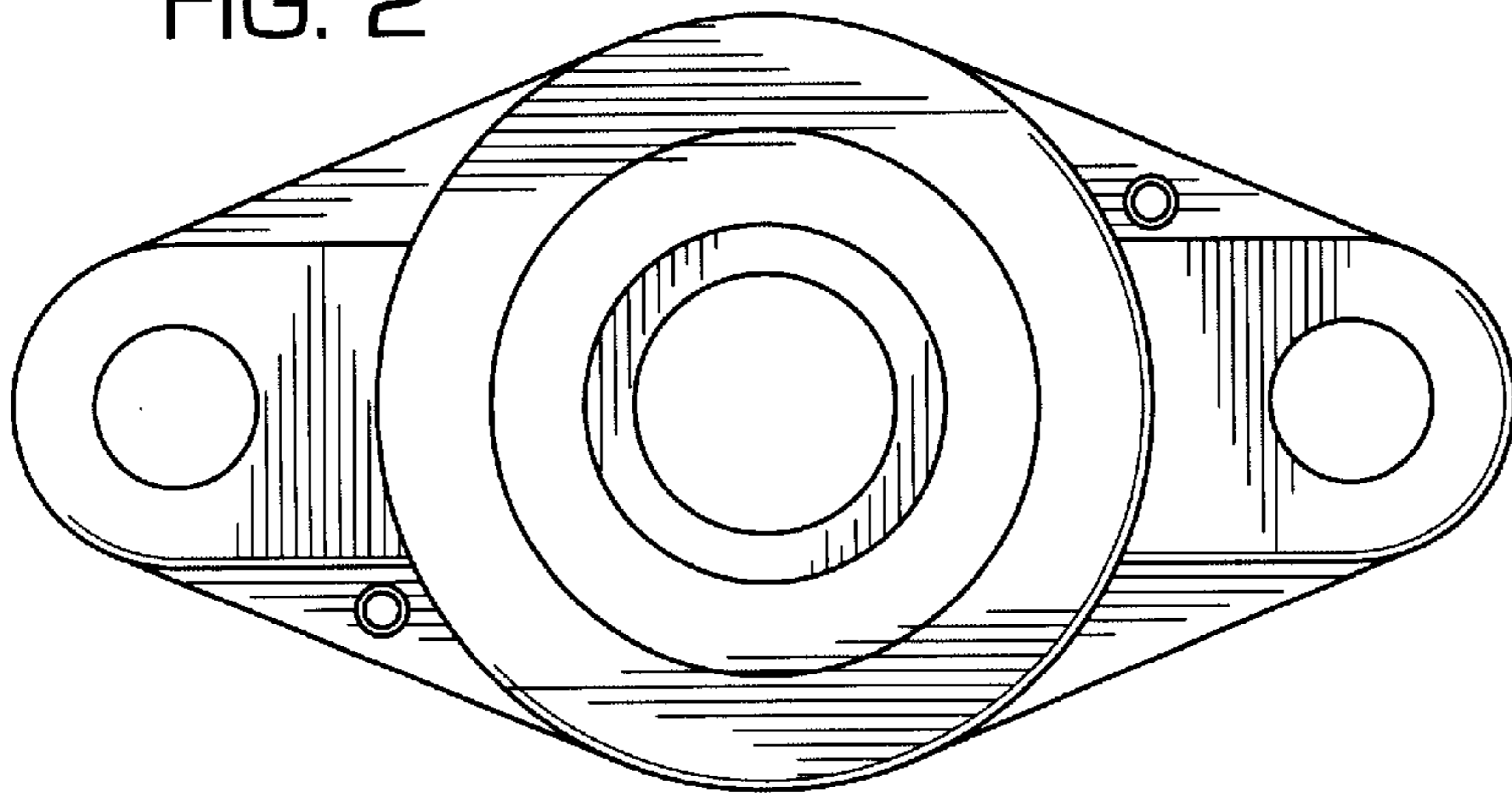


FIG. 3

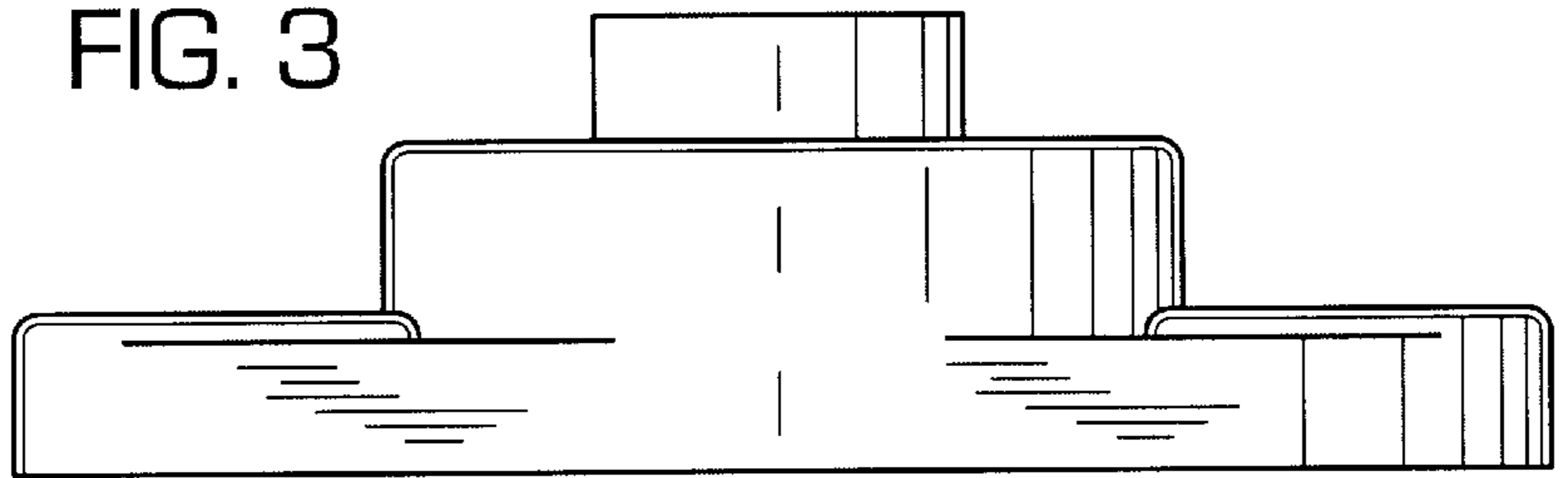


FIG. 4

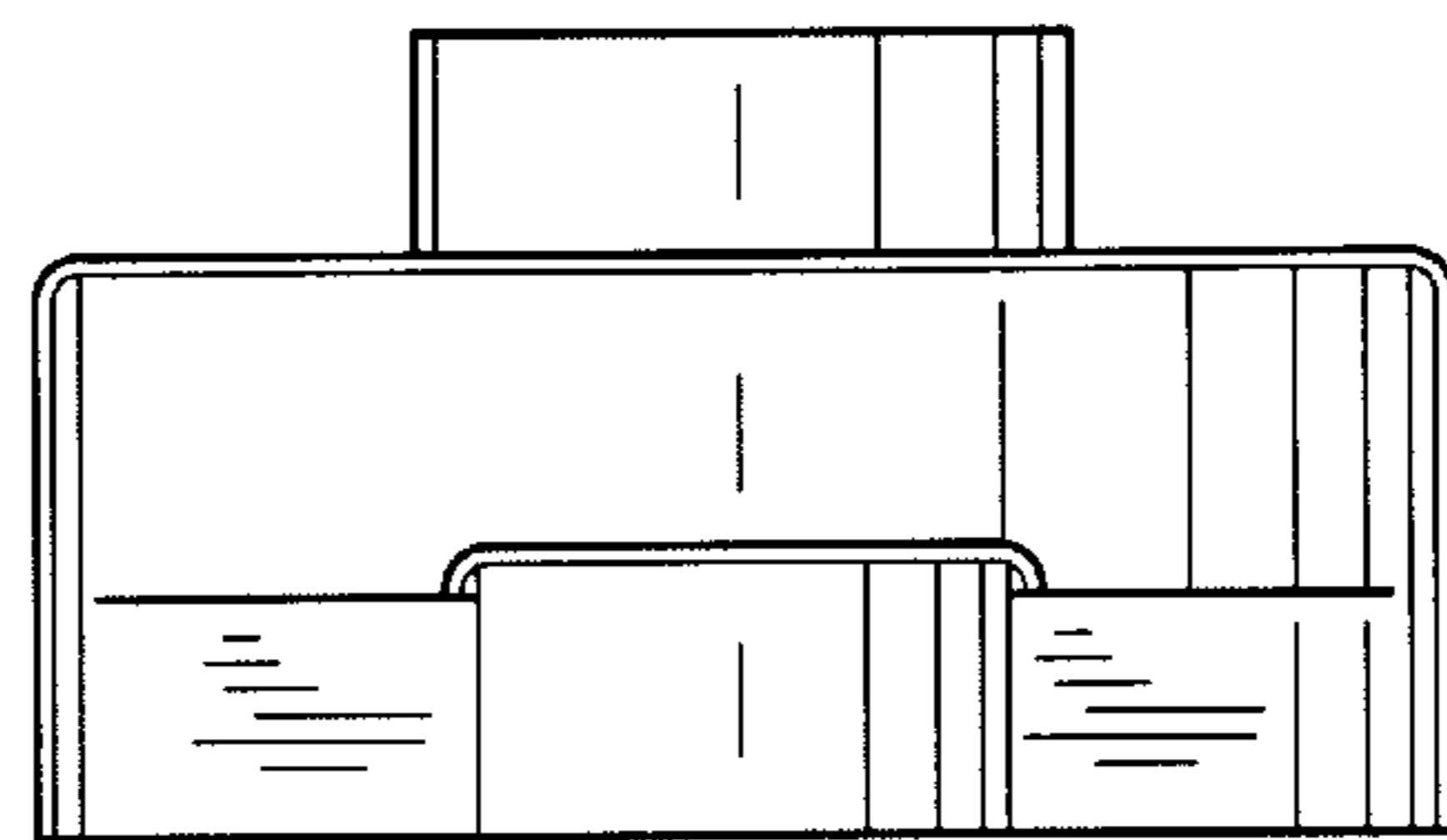


FIG. 5

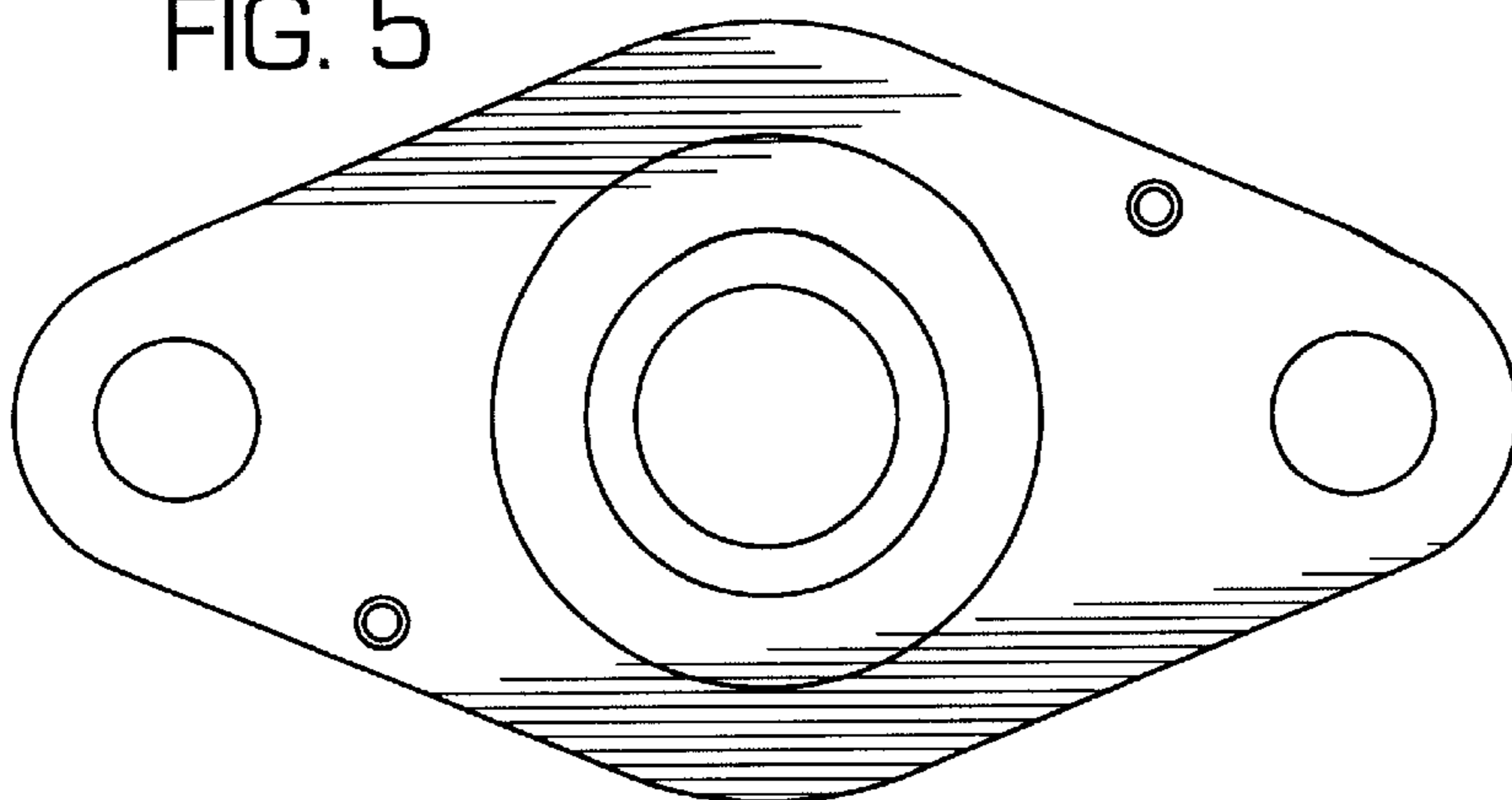


FIG. 6

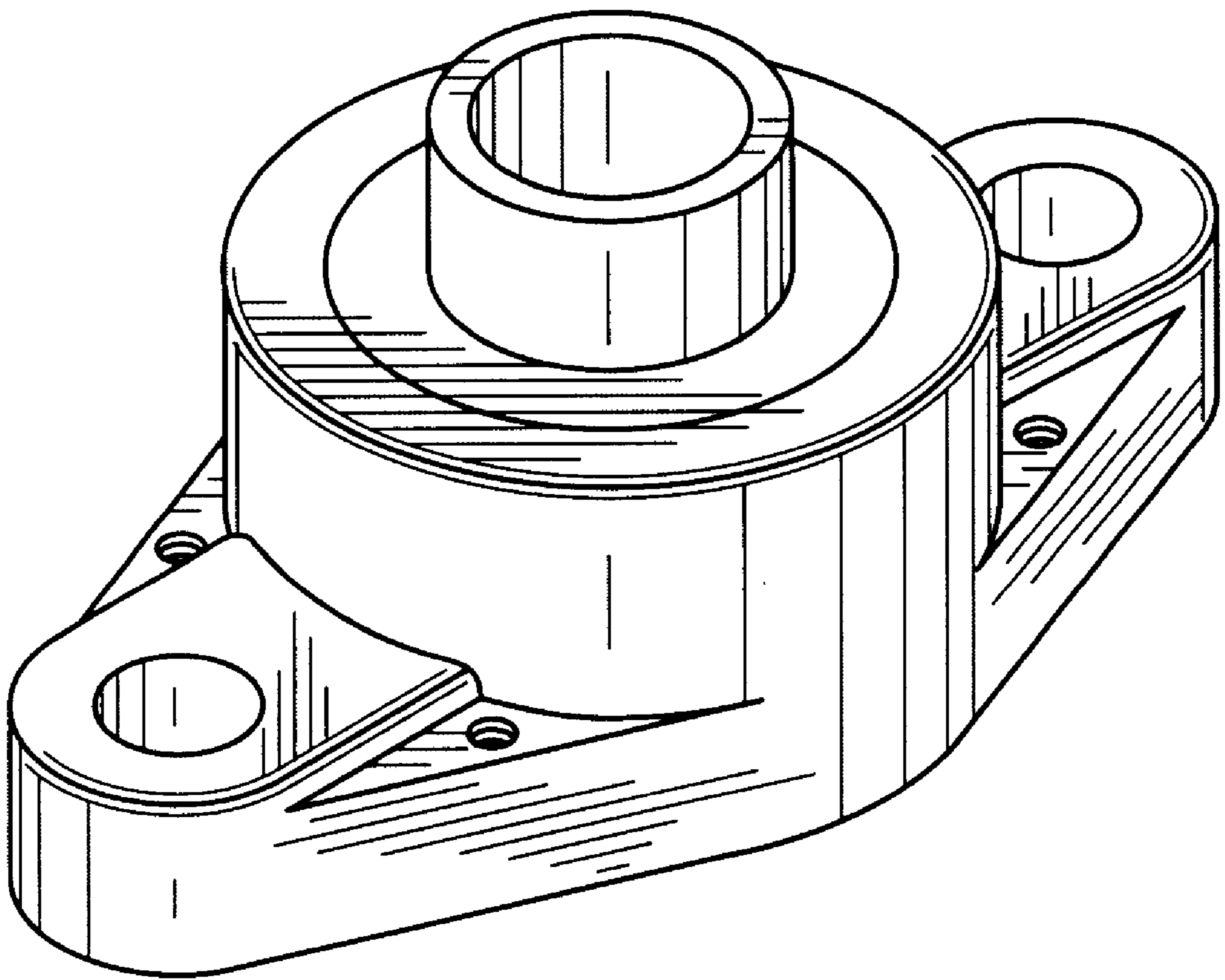


FIG. 7

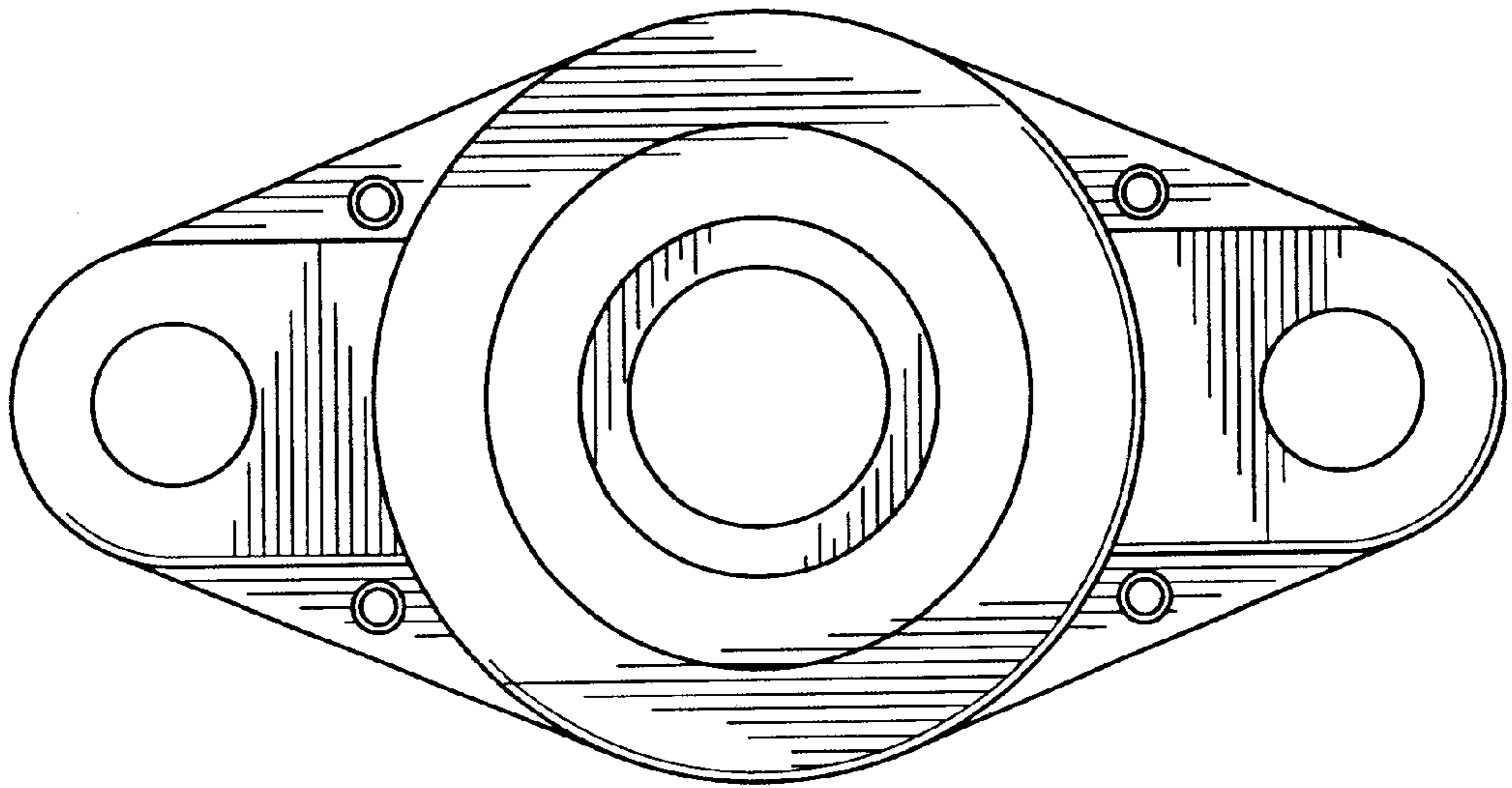


FIG. 8

