



US00D420687S

United States Patent [19]
Dragon

[11] **Patent Number: Des. 420,687**

[45] **Date of Patent: ** Feb. 15, 2000**

[54] **ANGLED WOOD HOLDER FOR TABLE SAWS**

[76] Inventor: **Ken Dragon**, 4128 Drexel St., Omaha, Nebr. 68107

[**] Term: **14 Years**

[21] Appl. No.: **29/098,134**

[22] Filed: **Dec. 22, 1998**

[51] **LOC (7) Cl. 15-09**

[52] **U.S. Cl. D15/140; D10/65**

[58] **Field of Search** D8/71, 349, 354; D10/64, 65, 70; D15/140, 141, 148; D25/102; 29/33 K, 33 D, 33 S, 33 T, 272, 282, 281.1, 402, 728, 869; 72/52, 284; 196/304.6; 219/87, 91.2, 103, 121.63, 124.34, 137 R, 161, 242, 521, 524, 535; 225/6.1, 17, 175, 32, 44.3, 44.7, 45, 49.3, 49.2, 49.6, 119, 169, 189, 173.4, 165.1, 170, 148; 269/41-43, 70, 73, 132, 266, 289 R; 285/24, 27, 31

[56] **References Cited**

U.S. PATENT DOCUMENTS

D. 365,115 12/1995 Walker D15/140

D. 384,359 9/1997 Walker D15/140
D. 388,799 1/1998 Walker D15/140
2,776,683 1/1957 Cowley 269/43
3,679,198 7/1972 Weggeland 269/43

Primary Examiner—Antoine Duval Davis

[57] **CLAIM**

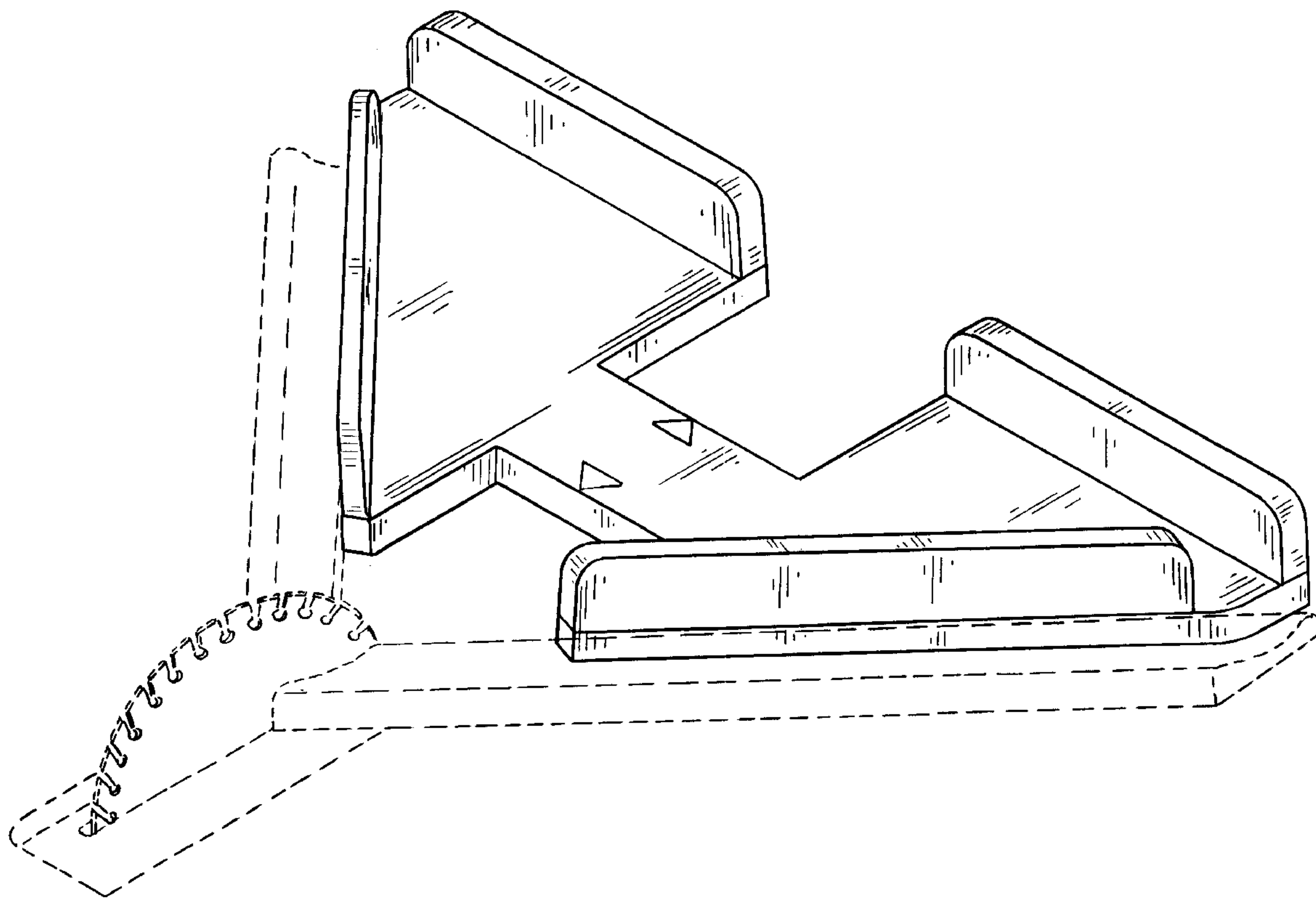
The ornamental design for an angled wood holder for table saws, as shown and described.

DESCRIPTION

FIG. 1 is a perspective view of the angled wood holder for table saws of the present invention;
FIG. 2 is a front inverse view thereof;
FIG. 3 is top plan view thereof;
FIG. 4 is a side elevational view thereof;
FIG. 5 is rear elevational view thereof; and,
FIG. 6 is bottom plan view thereof.

The broken line showing the table saw and wood being cut in FIG. 1 is illustrative of environmental structure only and forms no part of the claimed design.

1 Claim, 2 Drawing Sheets



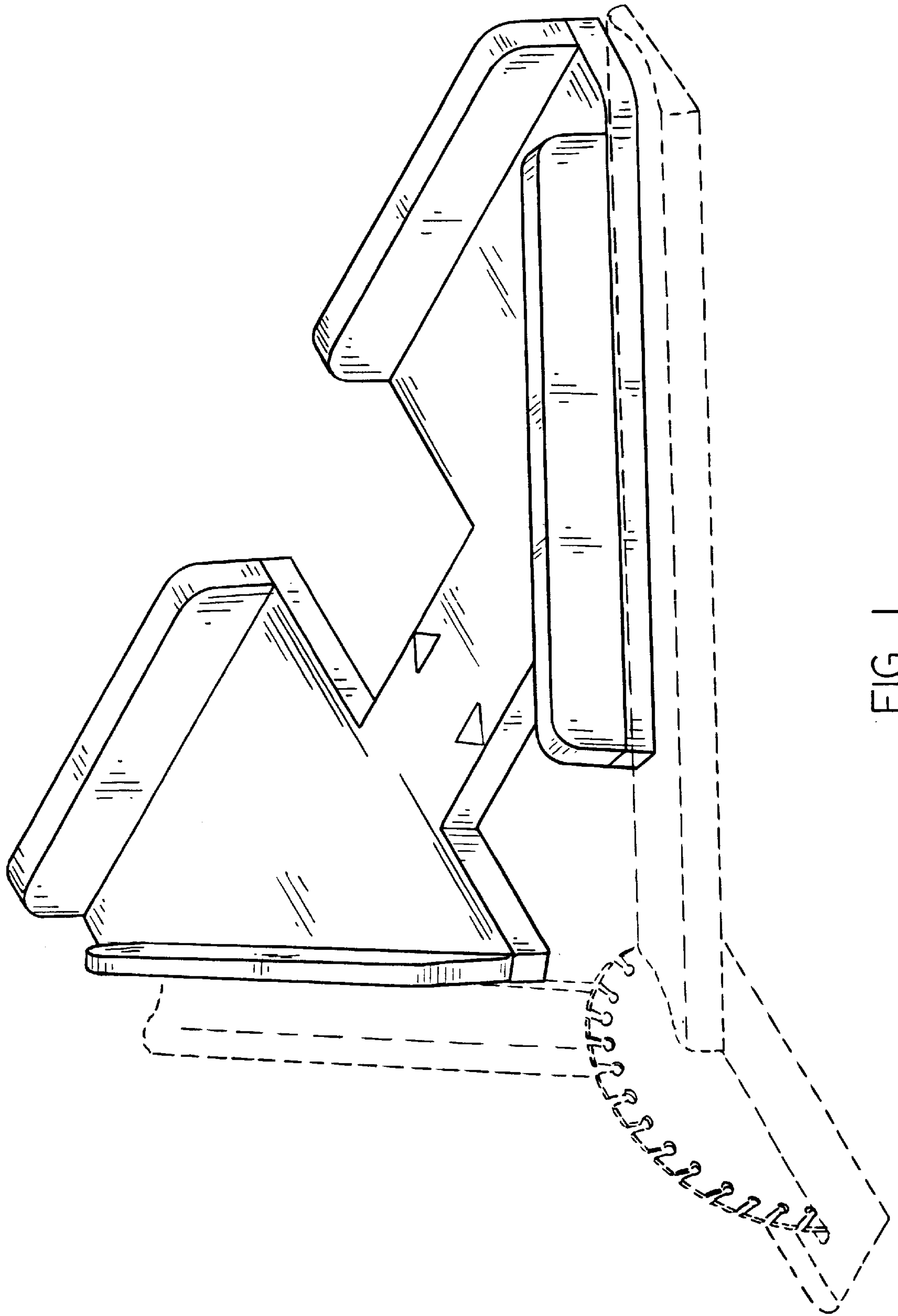


FIG. 1

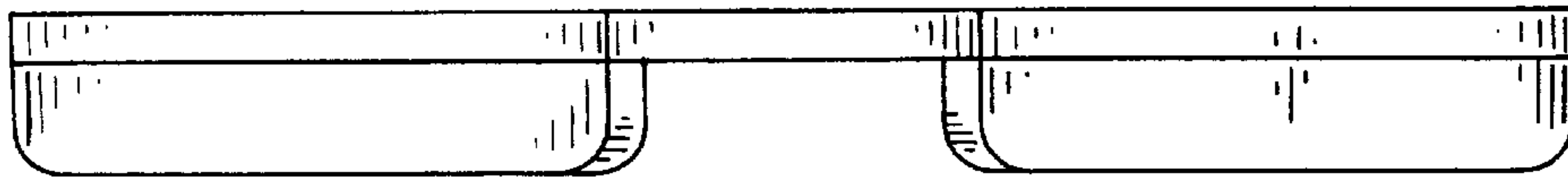


FIG. 2

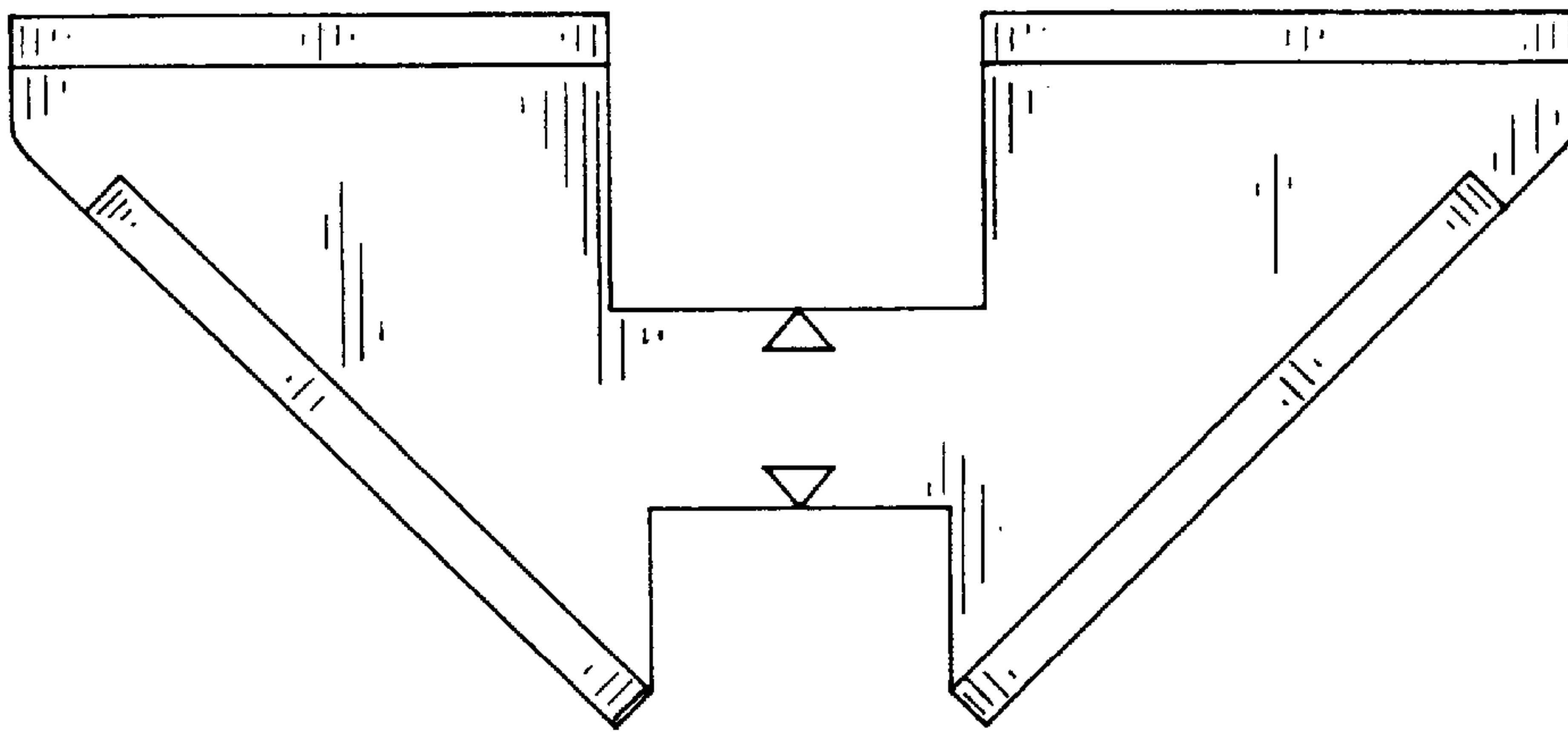


FIG. 3

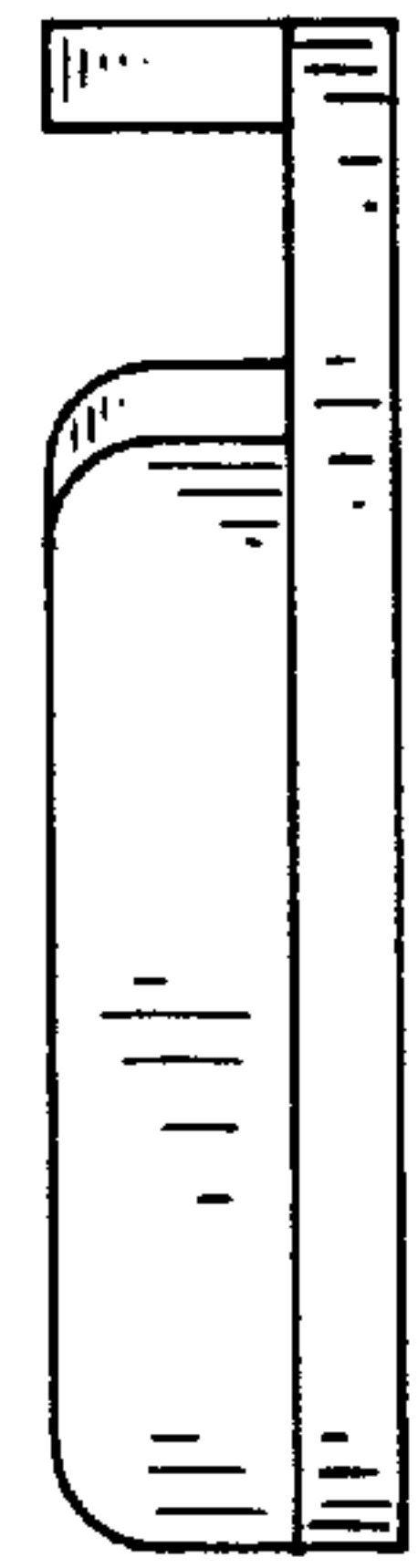


FIG. 4

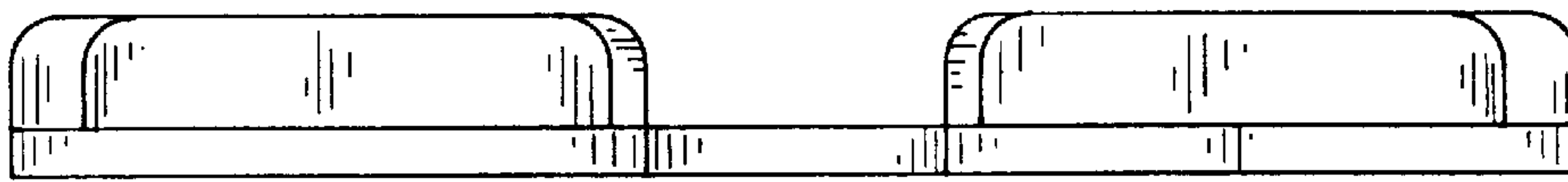


FIG. 5

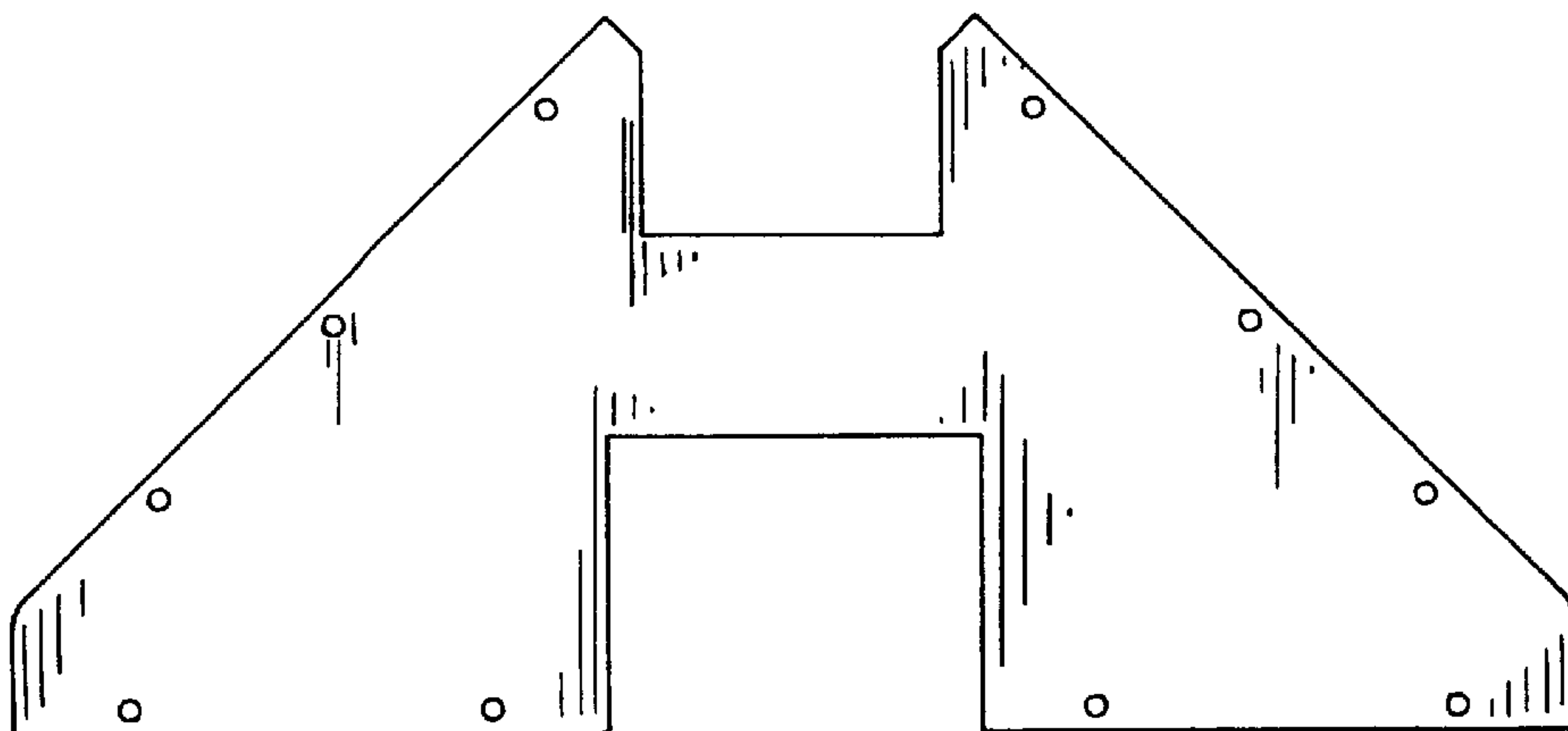


FIG. 6