



US00D420686S

United States Patent [19] Kunema

[11] **Patent Number: Des. 420,686**

[45] **Date of Patent: ** Feb. 15, 2000**

[54] **MACHINING CENTER**

FOREIGN PATENT DOCUMENTS

[75] Inventor: **Tomoko Kunema**, Abiko, Japan

891515 2/1994 Japan .
989786 9/1997 Japan .

[73] Assignee: **Hitachi Seiki Co., Ltd.**, Chiba-ken, Japan

Primary Examiner—Antoine Duval Davis
Attorney, Agent, or Firm—Armstrong, Westerman, Hattori, McLeland & Naughton

[**] Term: **14 Years**

[21] Appl. No.: **29/101,887**

[57] **CLAIM**

[22] Filed: **Mar. 12, 1999**

The ornamental design for a machining center, as shown and described.

[30] **Foreign Application Priority Data**

DESCRIPTION

Oct. 4, 1998 [JP] Japan D10-28539

[51] **LOC (7) Cl.** **15-09**

[52] **U.S. Cl.** **D15/127**

[58] **Field of Search** D15/127, 128, D15/130, 131, 132; 198/346.1, 345.1; 29/27 C, 33 P, 39.563, 564, DIG. 56, DIG. 59; 74/608; 82/159.149; 409/134, 137, 164, 189, 219, 903, 235; 483/19, 18, 31, 66, 36, 39, 44, 48, 49; 451/5, 11, 310; 144/134.1, 2.1, 4.8, 114.1, 242.1

FIG. 1 is a front, top and right side perspective view of a first embodiment of a machining center showing my new design; FIG. 2 is a top plan view thereof; FIG. 3 is a front view thereof; FIG. 4 is a left side view thereof; FIG. 5 is a right side view thereof; FIG. 6 is a rear view thereof; FIG. 7 is a bottom plan view thereof; and, FIG. 8 is a front view thereof showing that a front door of the machining center is opened.

[56] **References Cited**

U.S. PATENT DOCUMENTS

D. 277,679 2/1985 Kitamura D15/127

1 Claim, 4 Drawing Sheets

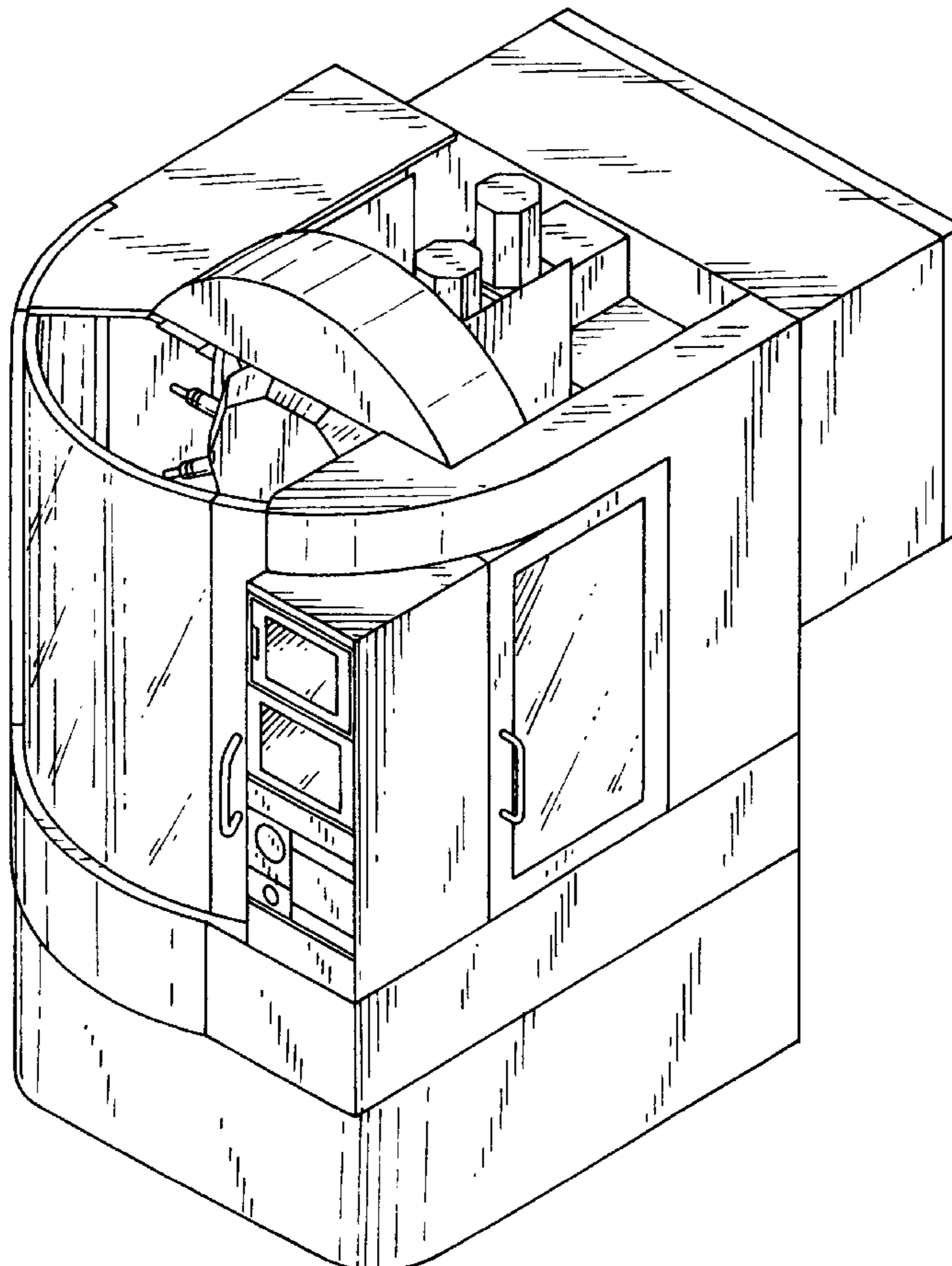


FIG. 1

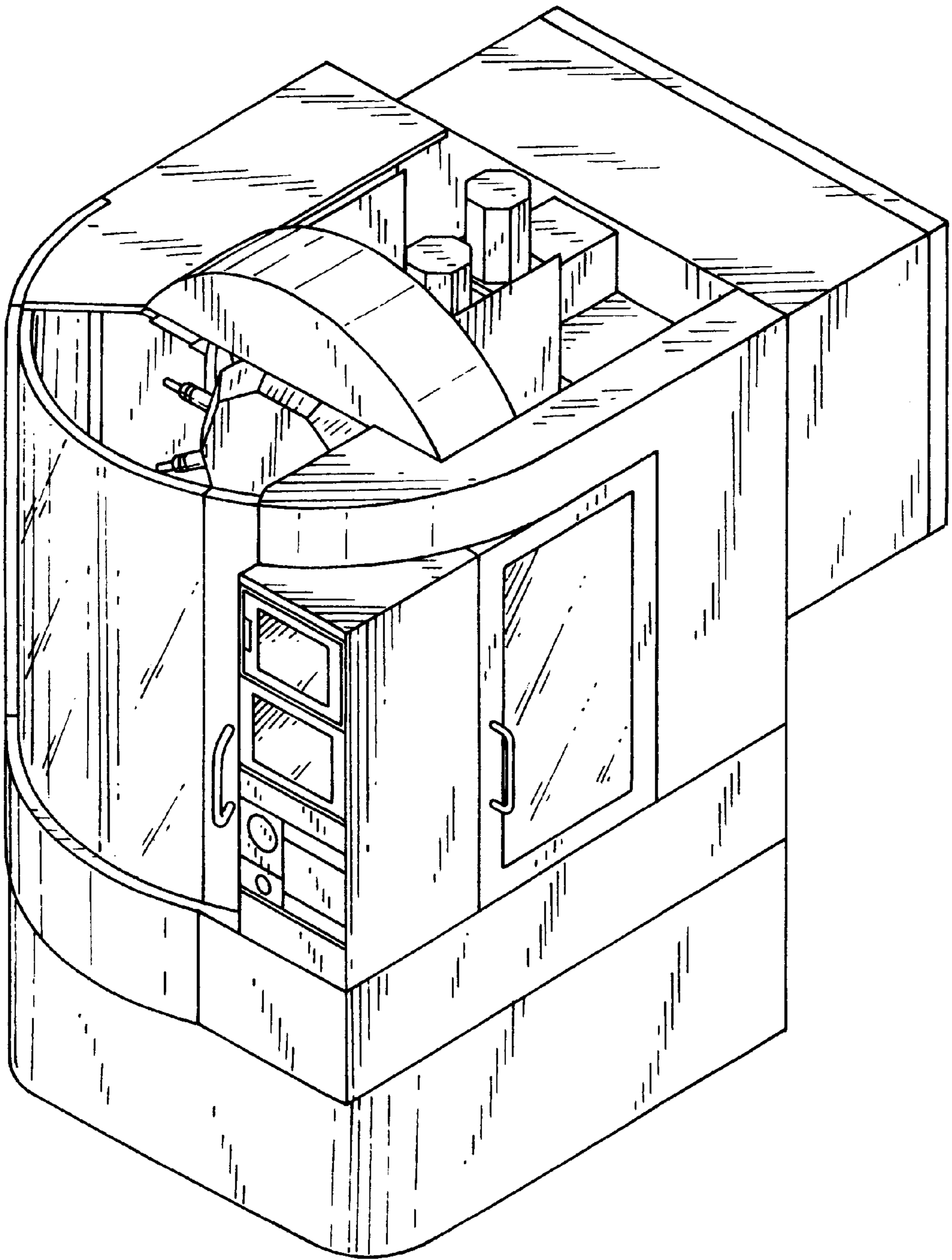


FIG. 2

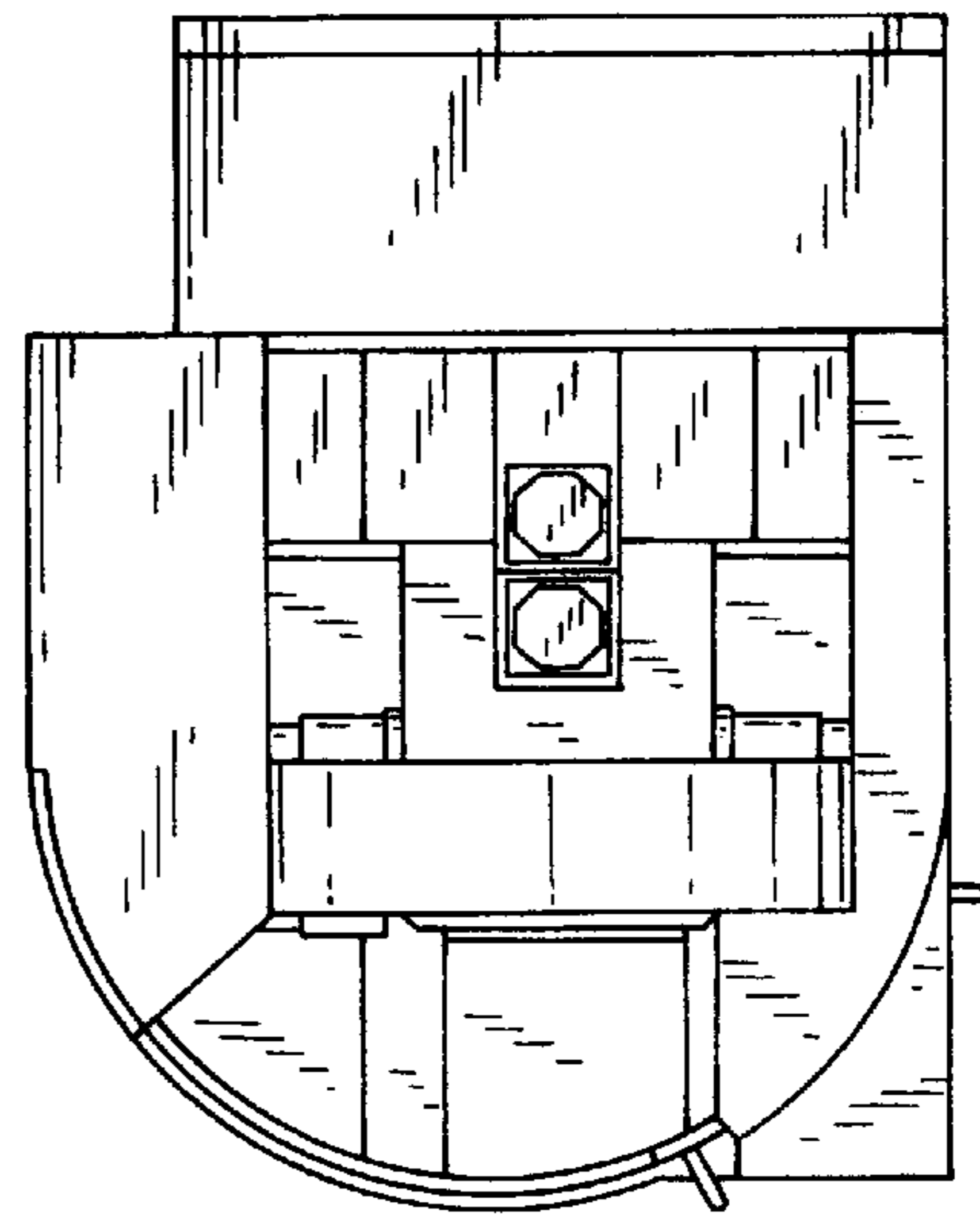


FIG. 4

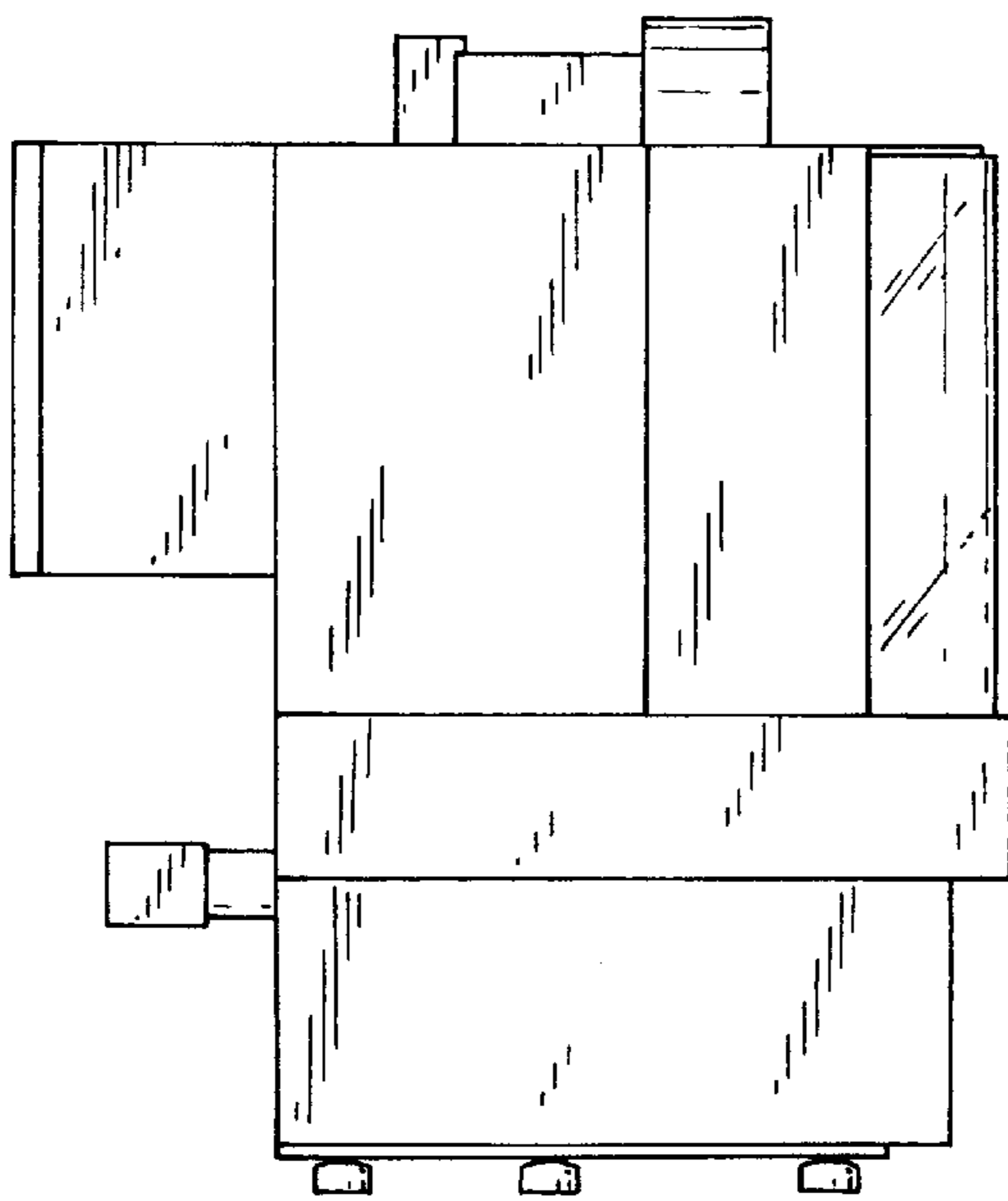


FIG. 3

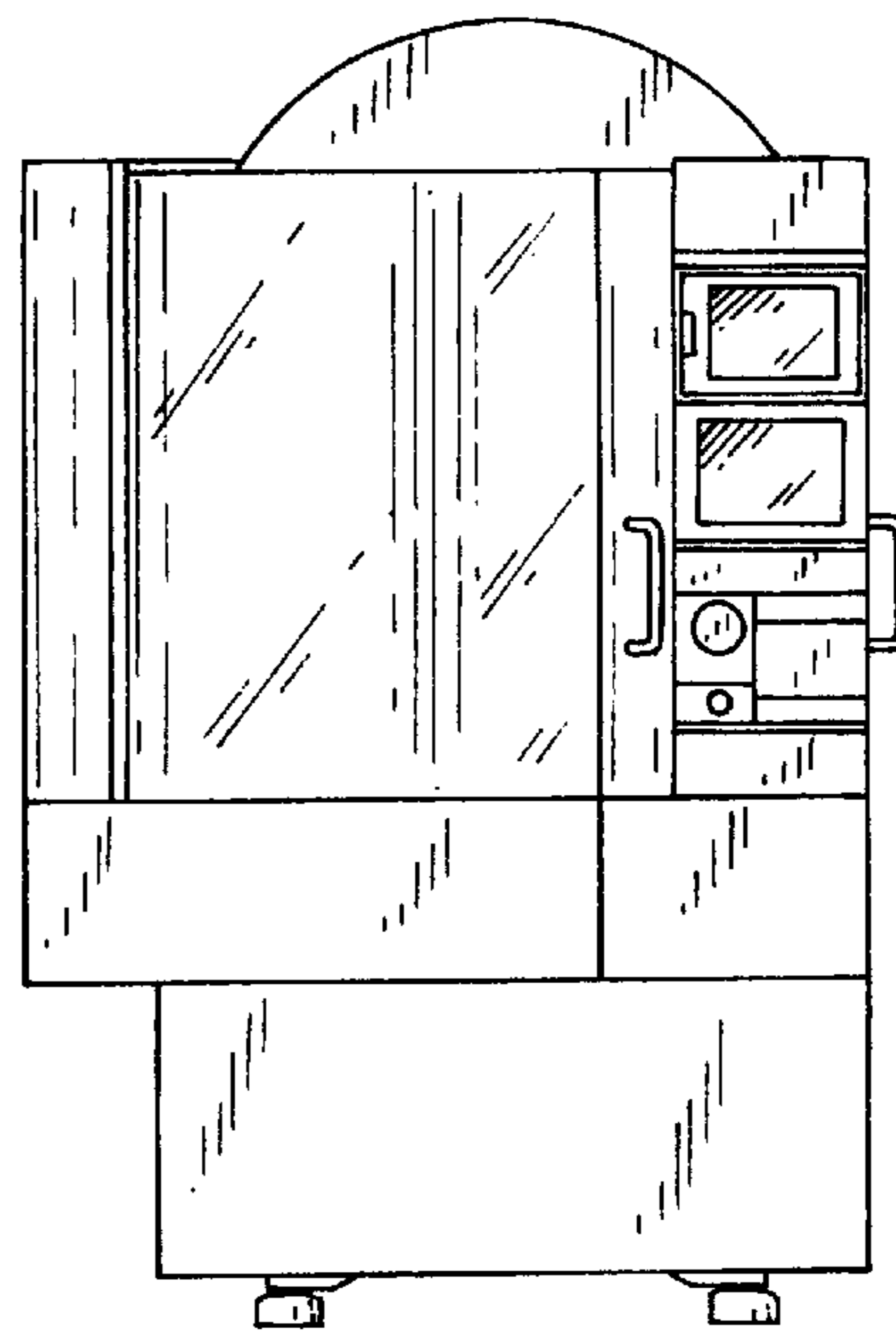


FIG. 5

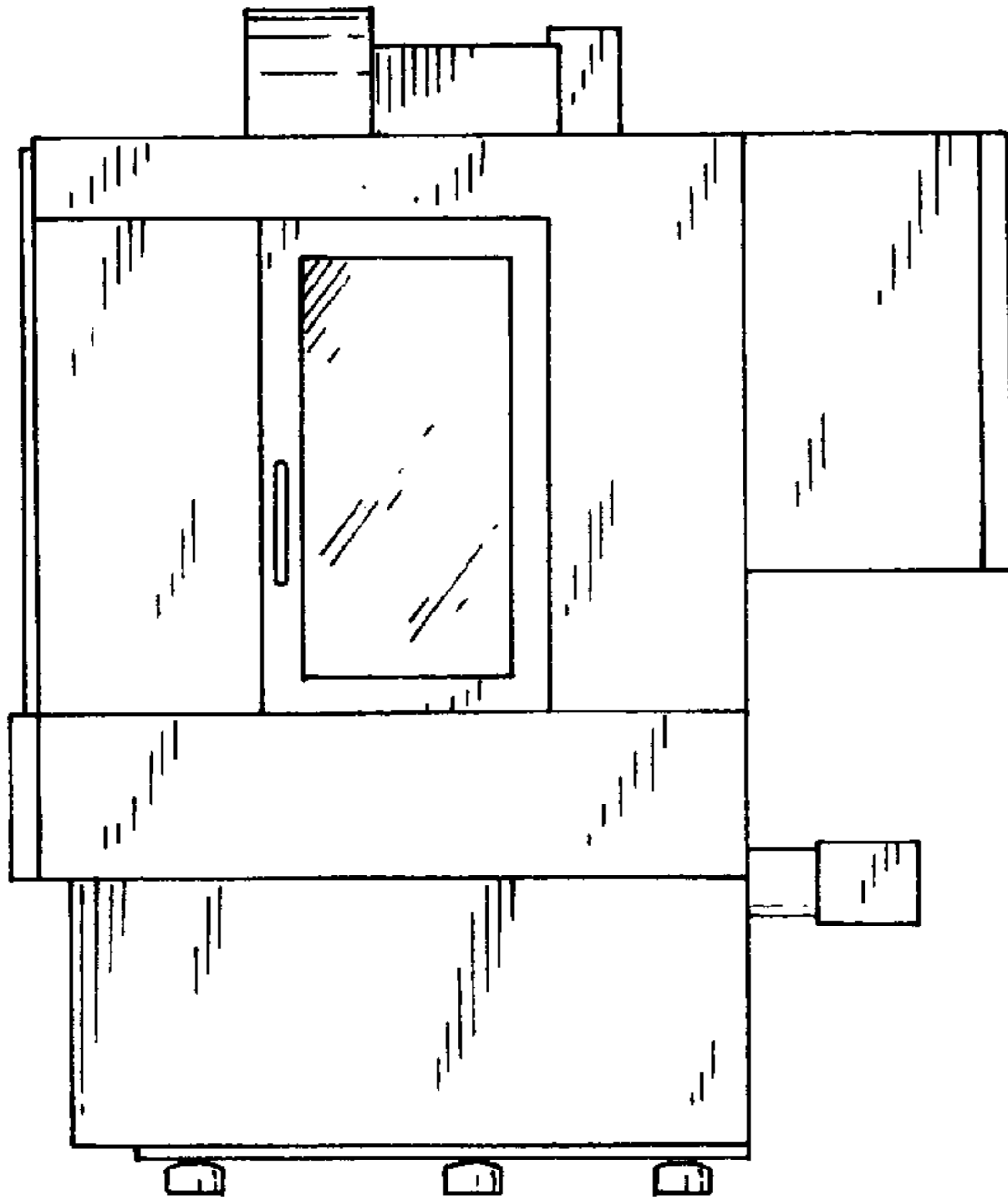


FIG. 6

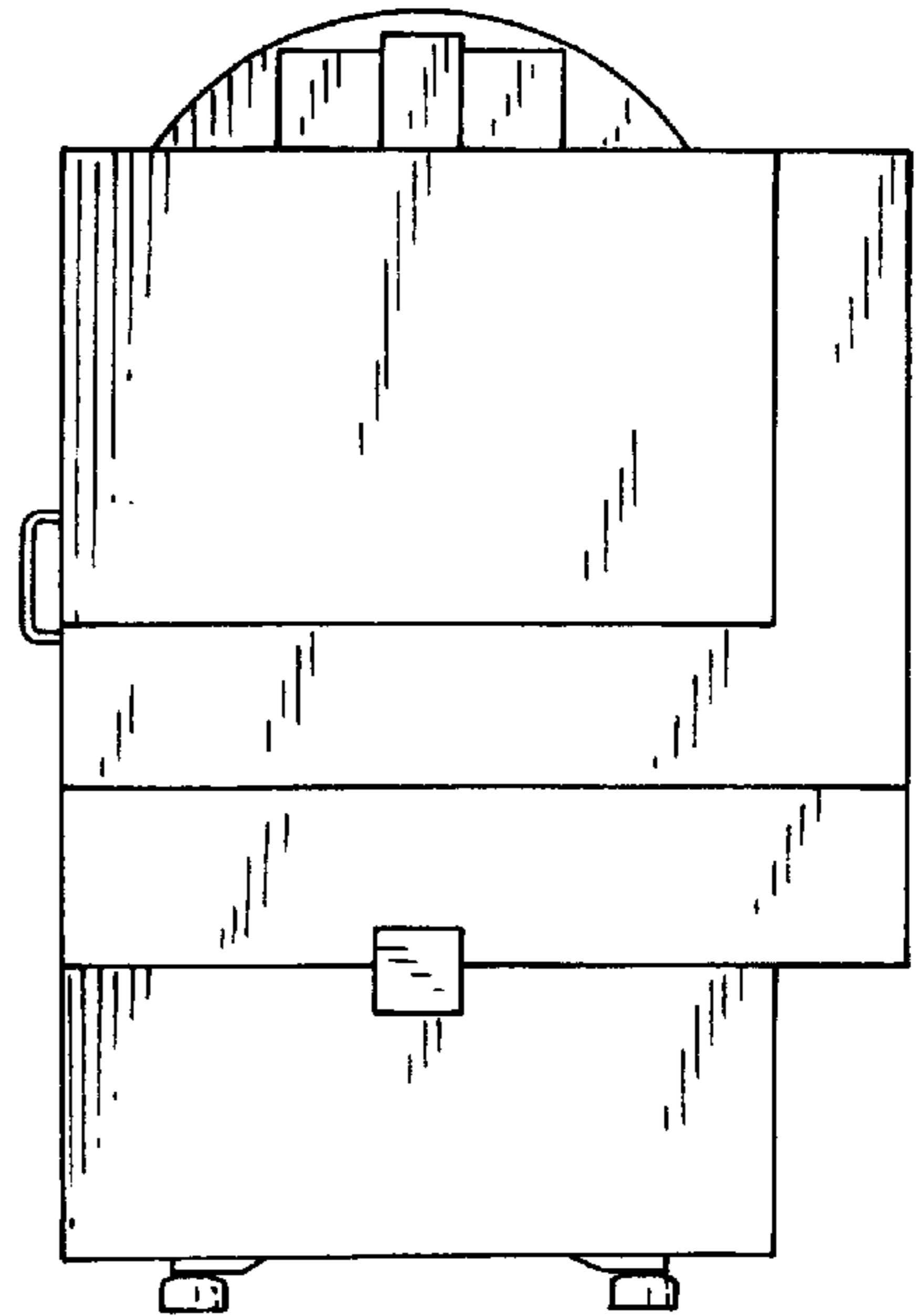


FIG. 7

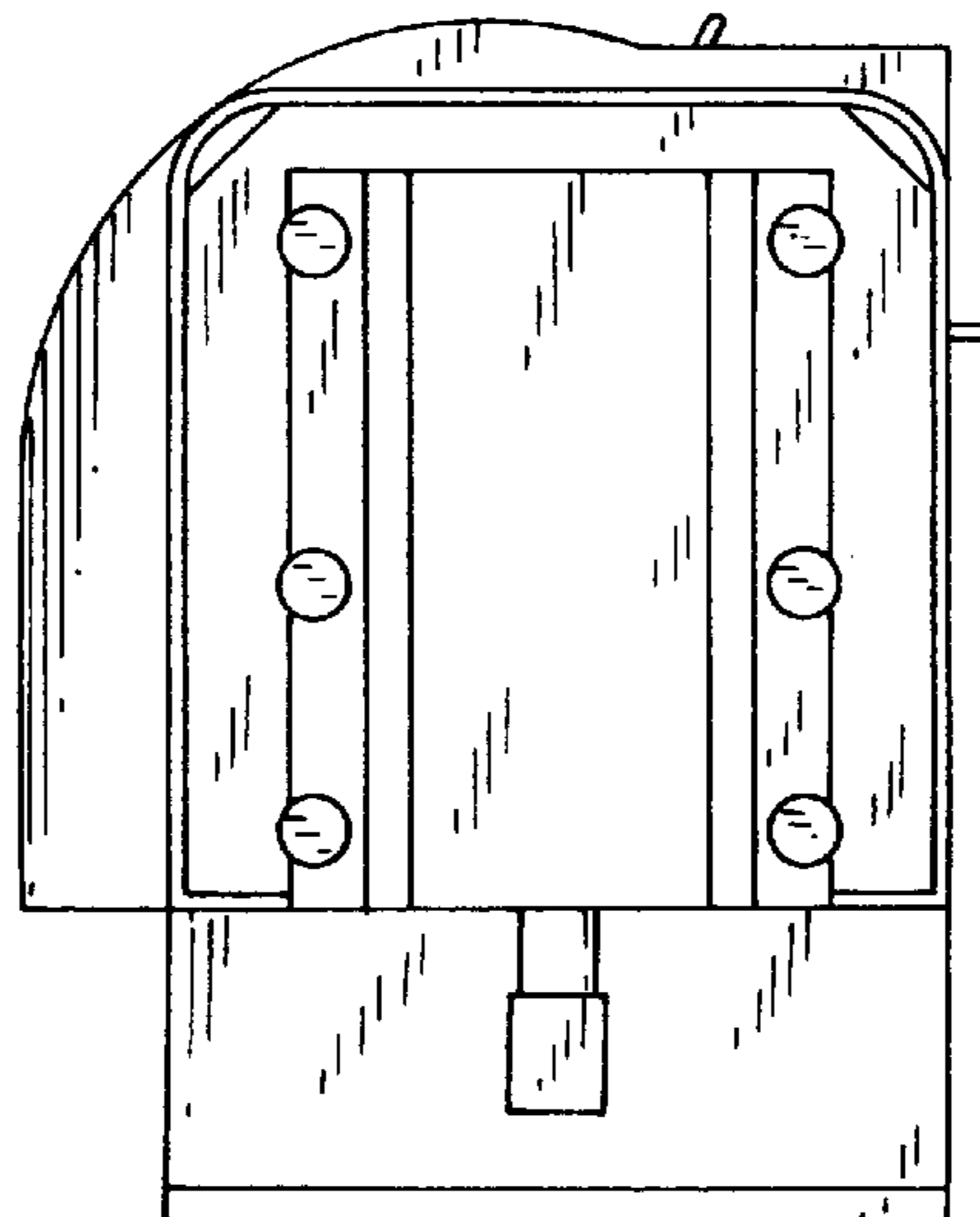


FIG. 8

