



US00D420685S

# United States Patent [19] Muranen

[11] **Patent Number: Des. 420,685**

[45] **Date of Patent: \*\* Feb. 15, 2000**

[54] **COCKPIT FOR A DRILLING MACHINE**

[75] Inventor: **Martti Muranen**, Kangasala, Finland

[73] Assignee: **Tamrock OY**, Tampere, Finland

[\*\*] Term: **14 Years**

[21] Appl. No.: **29/069,548**

[22] Filed: **Apr. 28, 1997**

[30] **Foreign Application Priority Data**

Oct. 30, 1996 [FI] Finland ..... 728/96

[51] **LOC (7) Cl.** ..... **15-04**

[52] **U.S. Cl.** ..... **D15/30**

[58] **Field of Search** ..... D15/10, 22-26,  
D15/28, 30; 296/190, 202

[56] **References Cited**

**U.S. PATENT DOCUMENTS**

4,600,236 7/1986 Weiss et al. .... 296/190

*Primary Examiner—Sandra L. Morris  
Attorney, Agent, or Firm—Ladas & Parry*

[57] **CLAIM**

The ornamental design for a cockpit for a drilling machine, as shown and described.

**DESCRIPTION**

FIG. 1 is a front, bottom perspective view of a cockpit for a drilling machine, showing my new design;

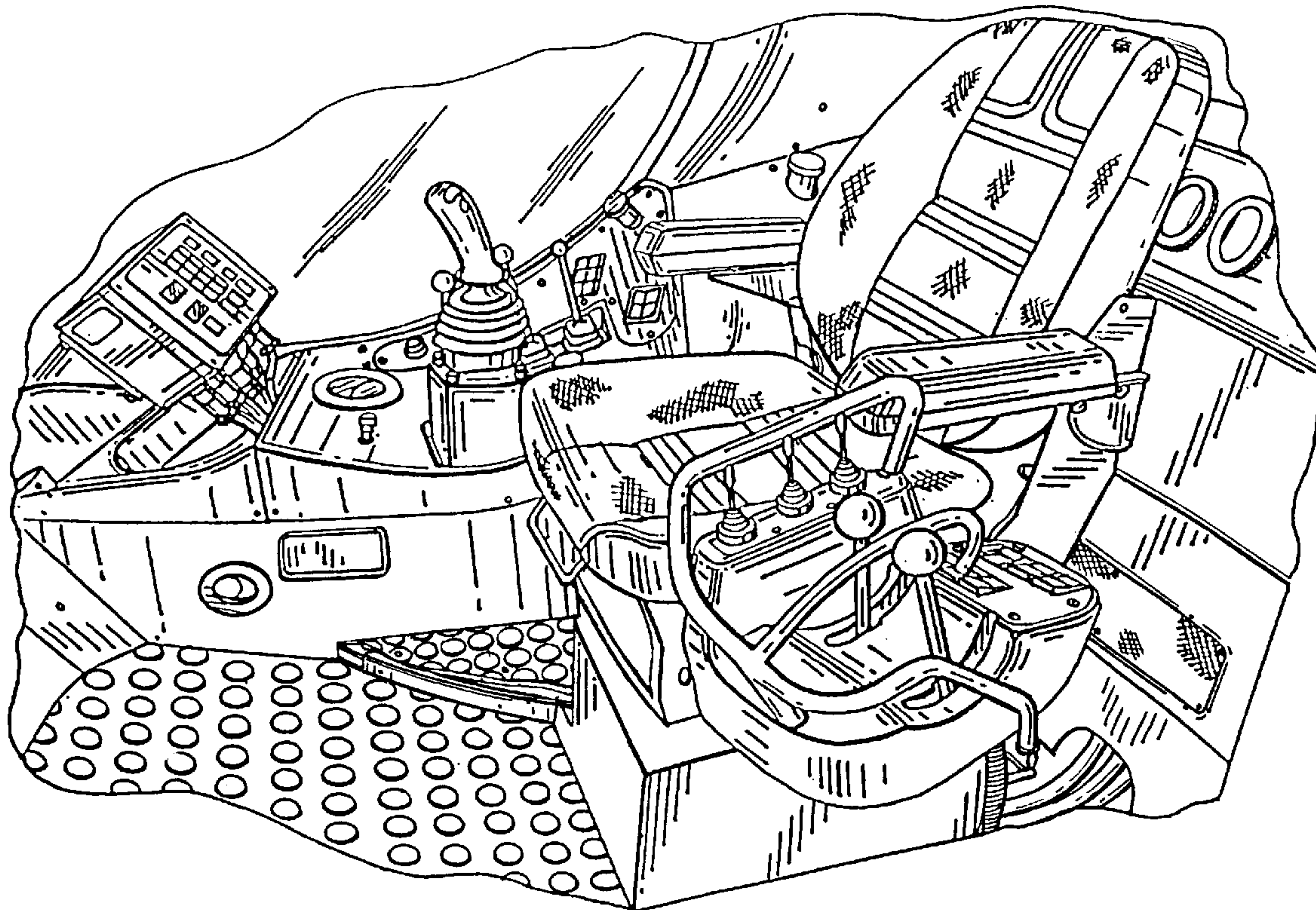
FIG. 2 is an enlarged perspective view thereof of FIG. 1;

FIG. 3 is a right side fragmentary perspective view thereof;

FIG. 4 is an enlarged fragmentary view of FIG. 3; and,

FIG. 5 is a rear fragmentary perspective view thereof.

**1 Claim, 5 Drawing Sheets**



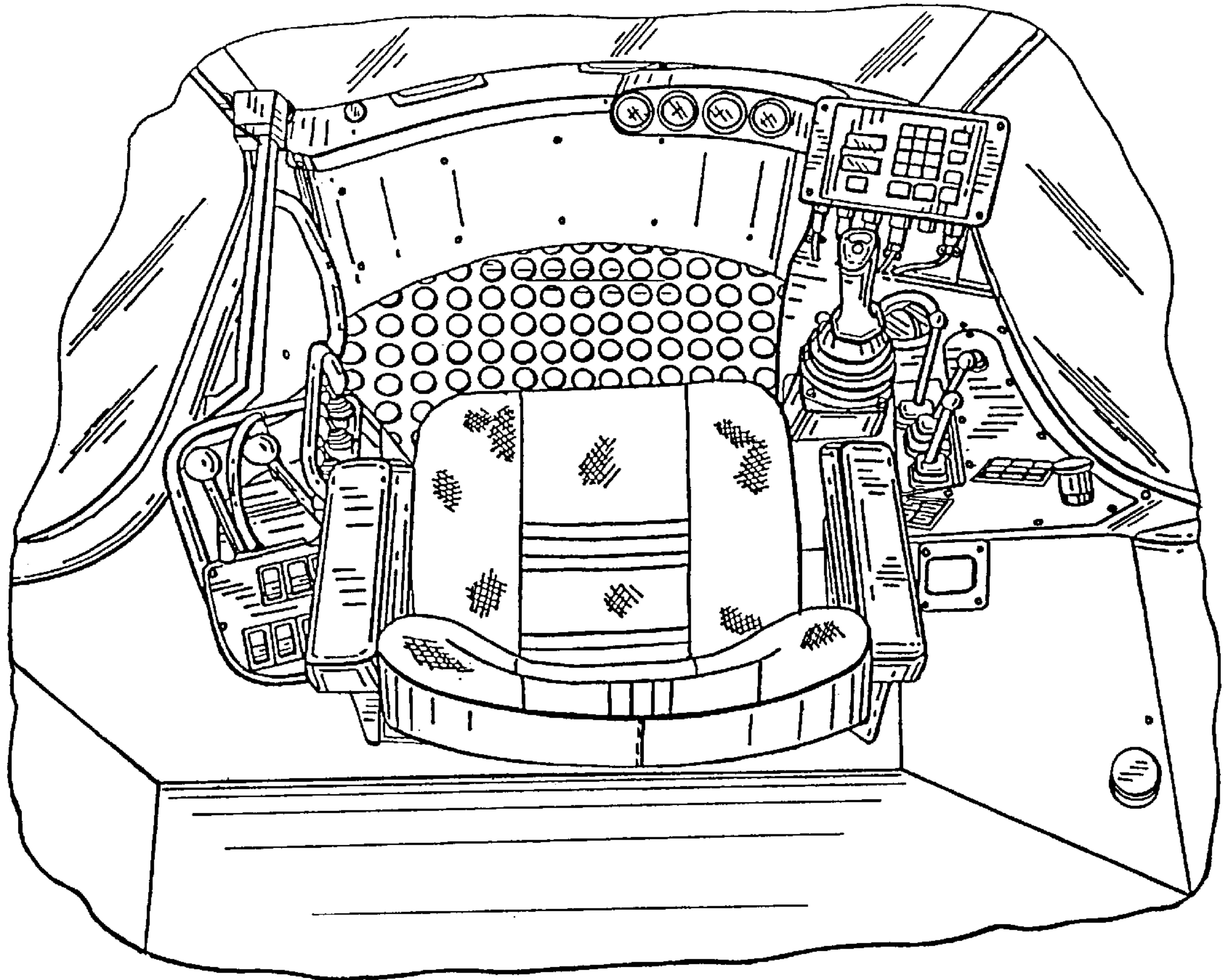


FIG. 1



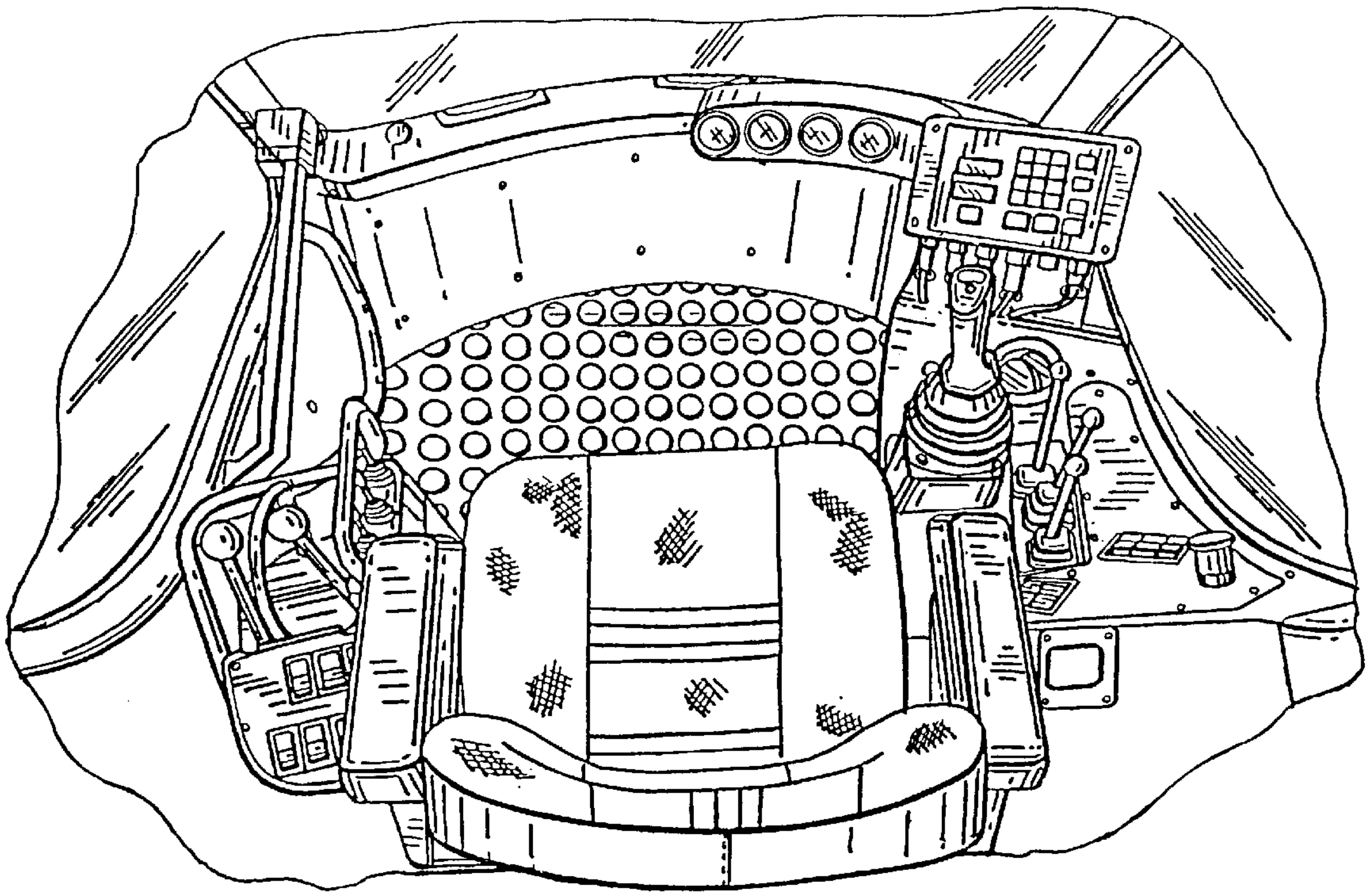


FIG. 2

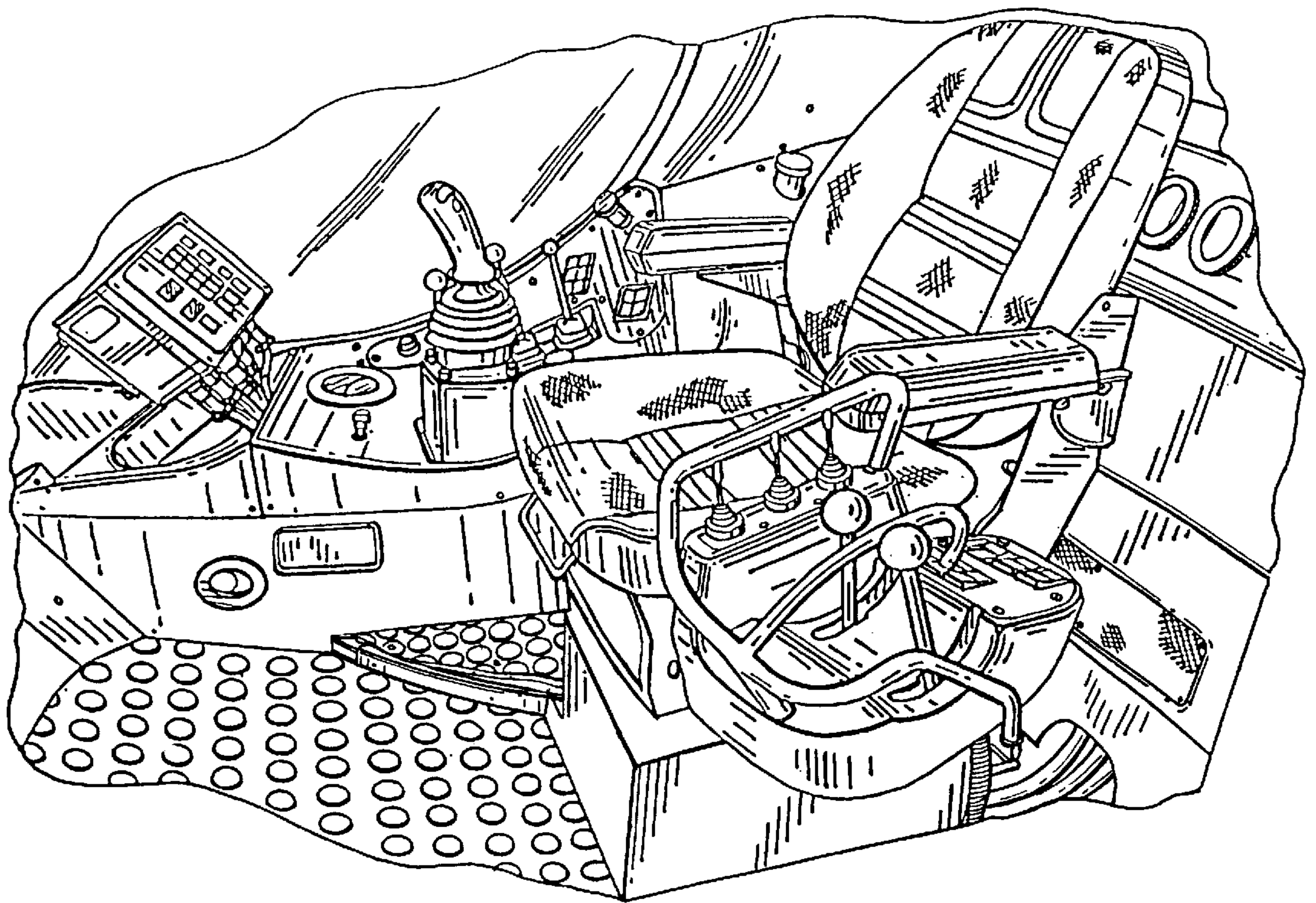


FIG. 3

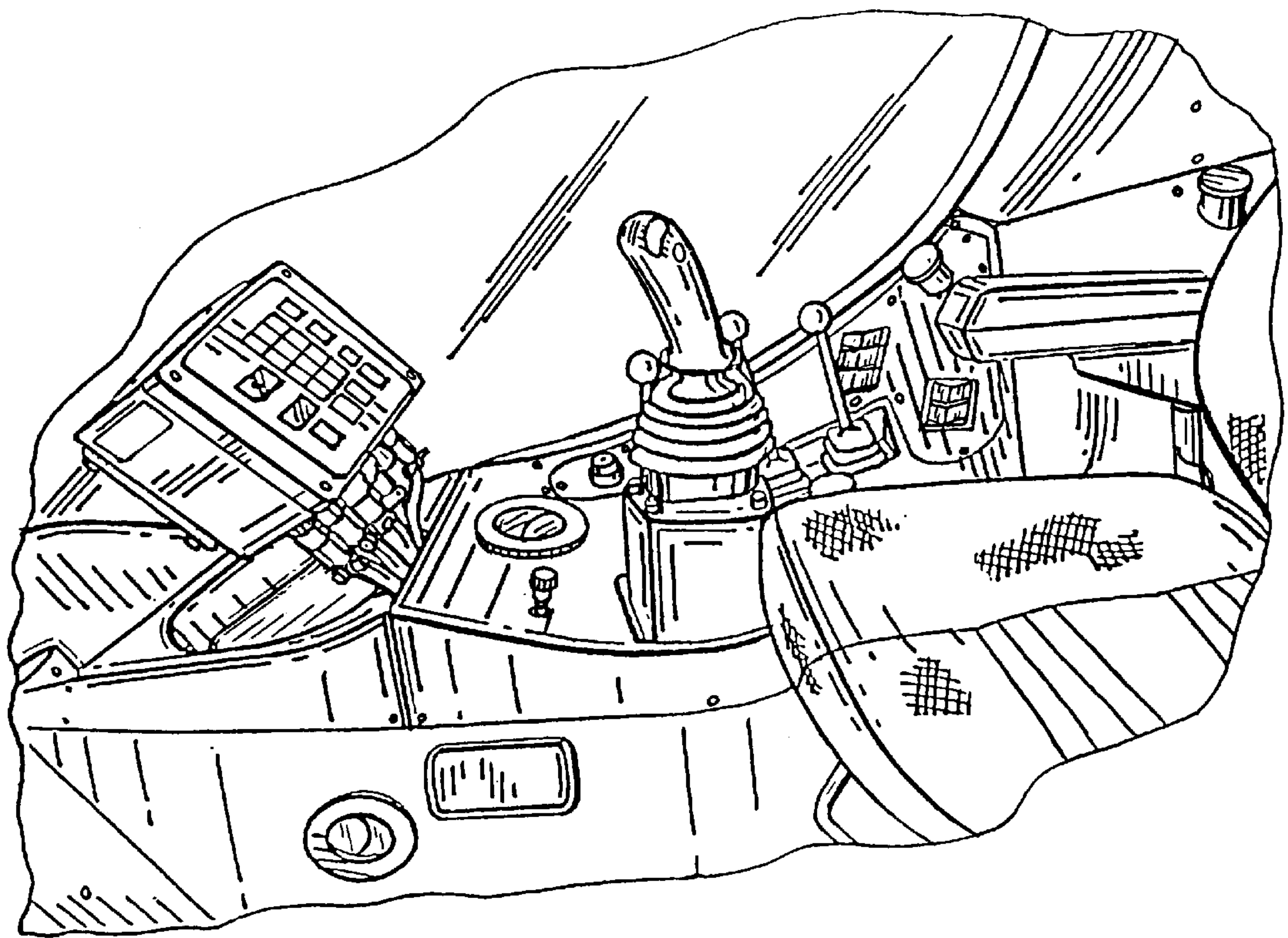


FIG. 4



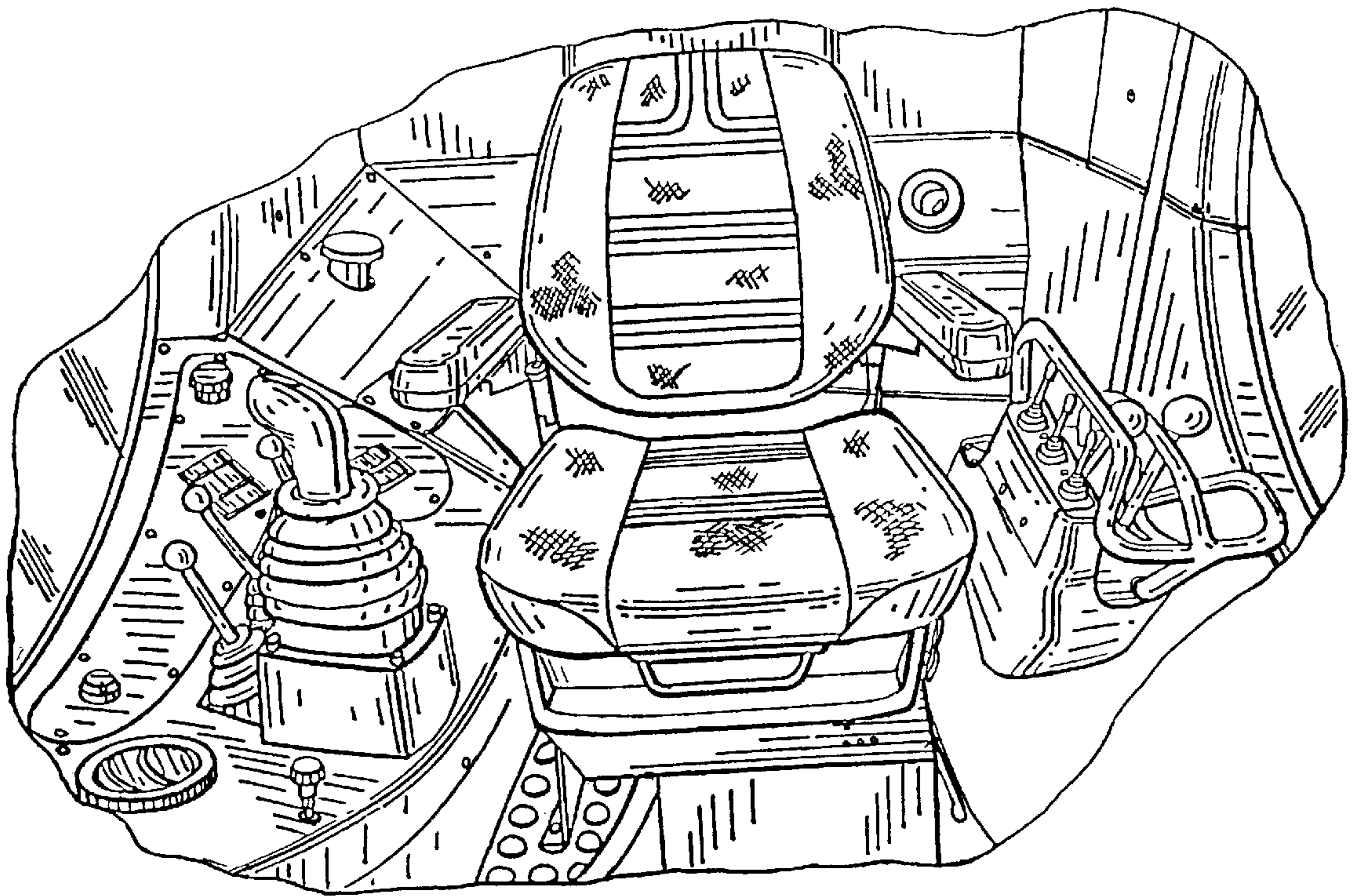


FIG. 5