



US00D420683S

United States Patent [19]
Suzuki

[11] **Patent Number: Des. 420,683**

[45] **Date of Patent: ** Feb. 15, 2000**

[54] **FLUID PRESSURE CYLINDER**

[75] Inventor: **Yasunaga Suzuki**, Saitama-ken, Japan

[73] Assignee: **SMC Kabushiki Kaisha**, Tokyo, Japan

[**] Term: **14 Years**

[21] Appl. No.: **29/103,994**

[22] Filed: **Apr. 26, 1999**

[30] **Foreign Application Priority Data**

Oct. 30, 1998	[JP]	Japan	10-31718
Dec. 18, 1998	[JP]	Japan	10-36722
Dec. 18, 1998	[JP]	Japan	10-36723

[51] **LOC (7) Cl.** **15-02**

[52] **U.S. Cl.** **D15/7**

[58] **Field of Search** D15/1, 7-9; 91/275,
91/399; 417/403, 404, 437, 460; 92/88,
5

[56] **References Cited**

U.S. PATENT DOCUMENTS

D. 303,393	9/1989	Stoll	D15/7
D. 317,922	7/1991	Toyoda et al.	D15/5
D. 370,683	6/1996	Stahlman et al.	D15/7
D. 378,680	4/1997	Ikumi	D15/7

Primary Examiner—Ralf Seifert
Attorney, Agent, or Firm—Frishauf, Holtz, Goodman,
Langer & Chick, P.C.

[57] **CLAIM**

The ornamental design for a fluid pressure cylinder, as shown and described.

DESCRIPTION

FIG. 1 is a top, front and right side perspective view of a

fluid pressure cylinder showing a first embodiment of my new design;

FIG. 2 is a front view of FIG. 1;

FIG. 3 is a right side view of FIG. 1, the left side view being a mirror image;

FIG. 4 is a rear view of FIG. 1;

FIG. 5 is a top plan view of FIG. 1;

FIG. 6 is a bottom plan view of FIG. 1;

FIG. 7 is a top, front and right side perspective view of a fluid pressure cylinder showing a second embodiment of my new design;

FIG. 8 is a front view of FIG. 7;

FIG. 9 is a right side view of FIG. 7, the left side view being a mirror image;

FIG. 10 is a rear view of FIG. 7;

FIG. 11 is a top plan view of FIG. 7;

FIG. 12 is a bottom plan view of FIG. 7;

FIG. 13 is a top, front and right side perspective view of a fluid pressure cylinder showing a third embodiment of my new design;

FIG. 14 is a front view of FIG. 13;

FIG. 15 is a right side view of FIG. 13, the left side view being a mirror image;

FIG. 16 is a rear view of FIG. 13;

FIG. 17 is a top plan view of FIG. 13; and,

FIG. 18 is a bottom plan view of FIG. 13.

1 Claim, 3 Drawing Sheets

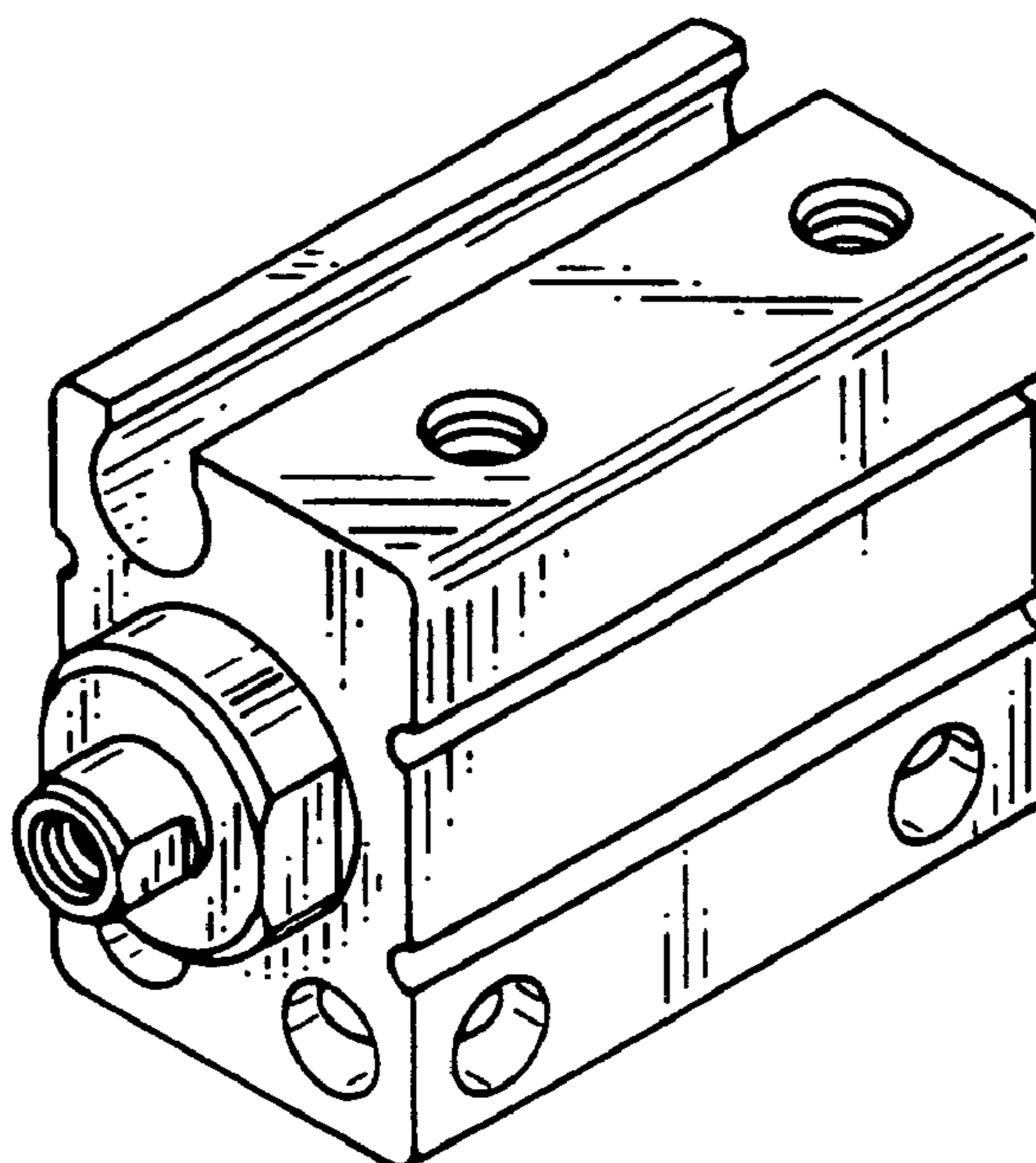


FIG. 1

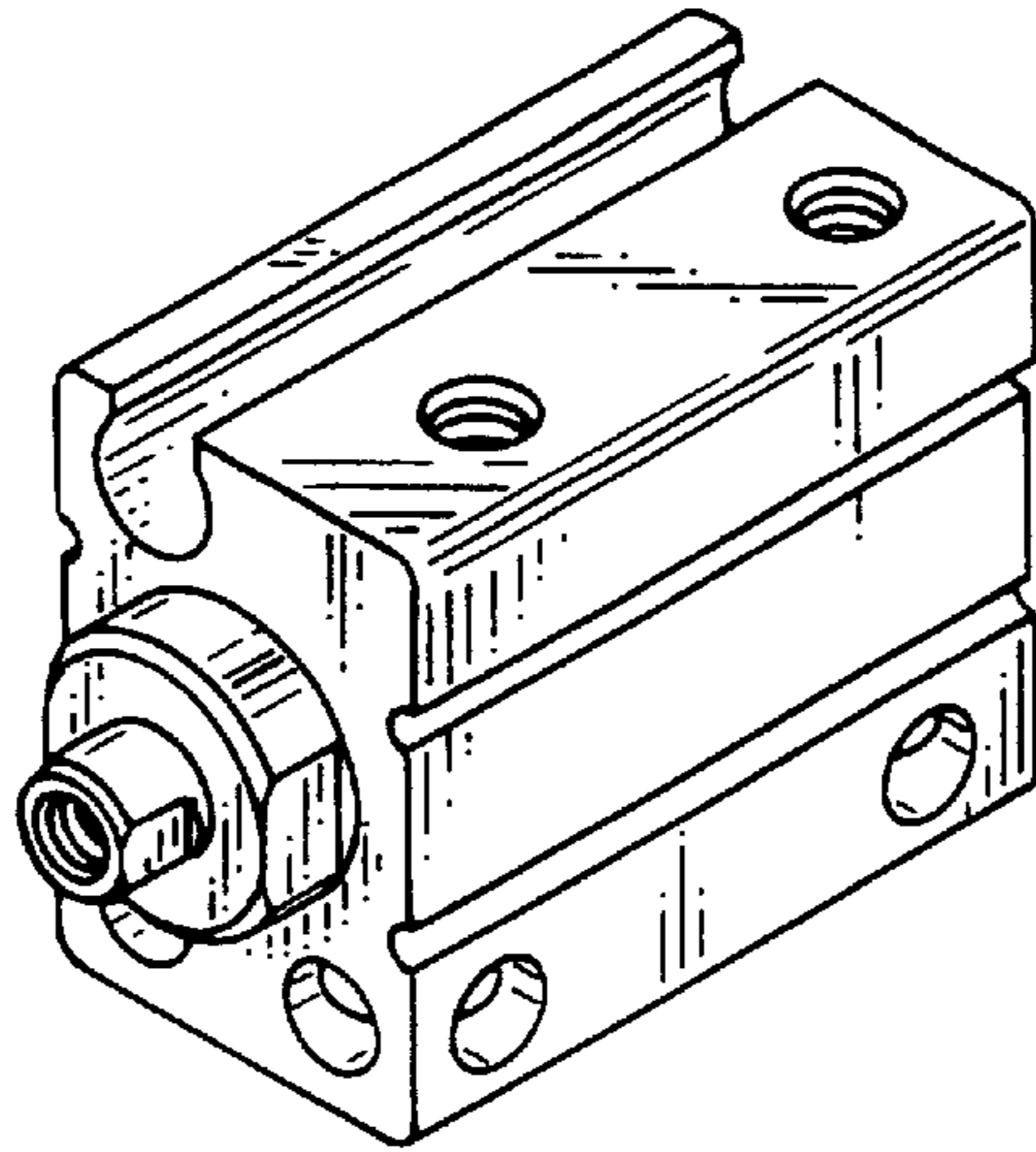


FIG. 2

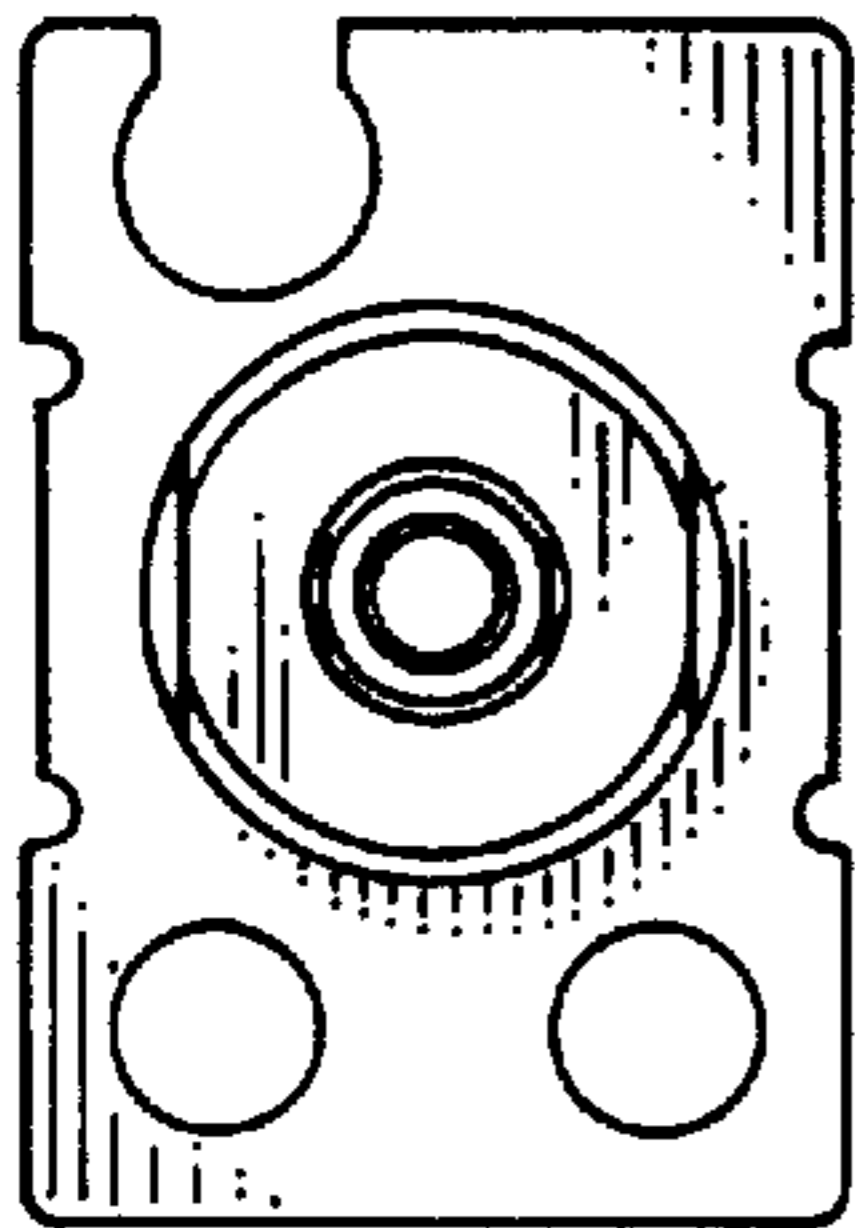


FIG. 3

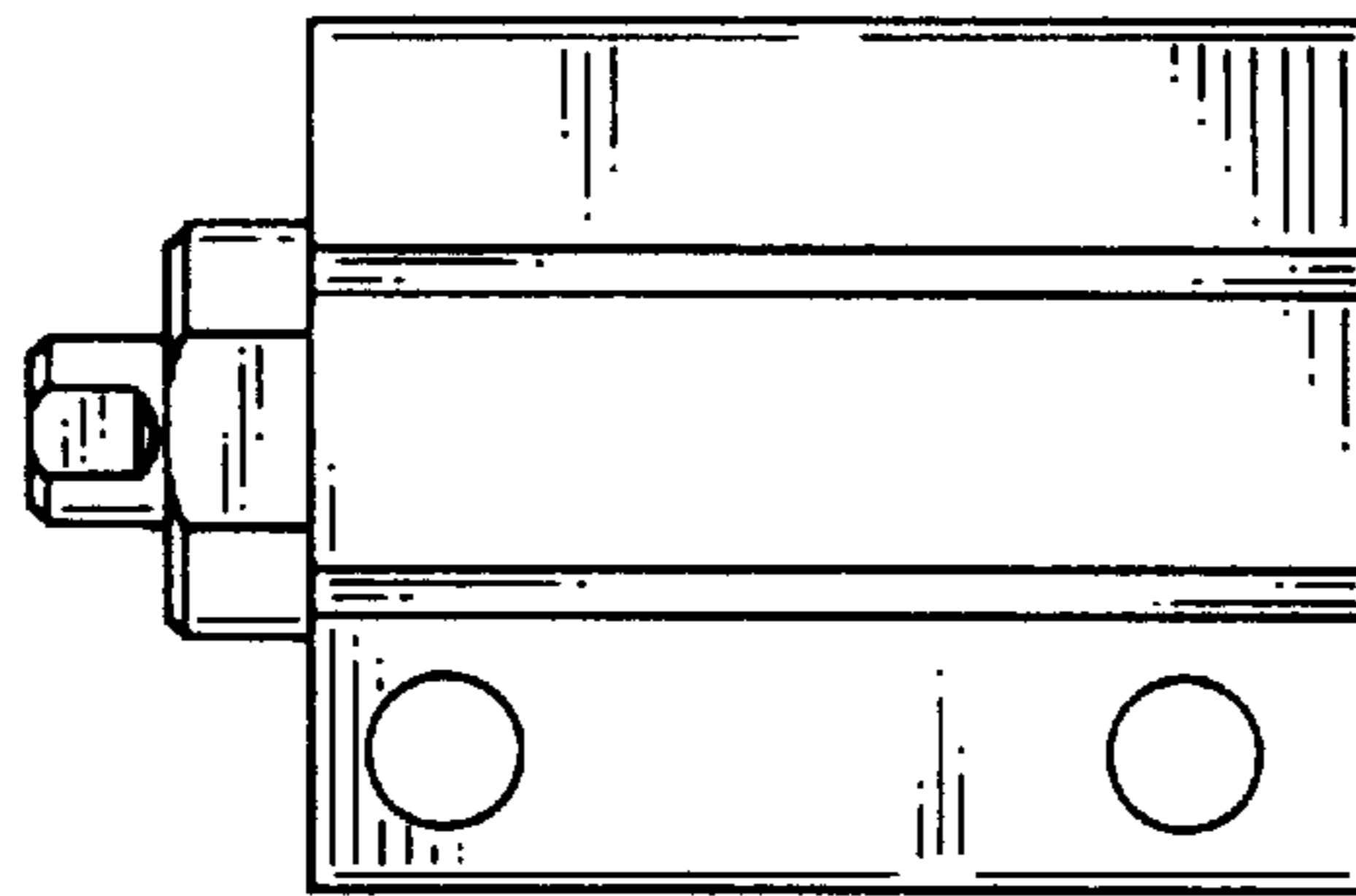


FIG. 4

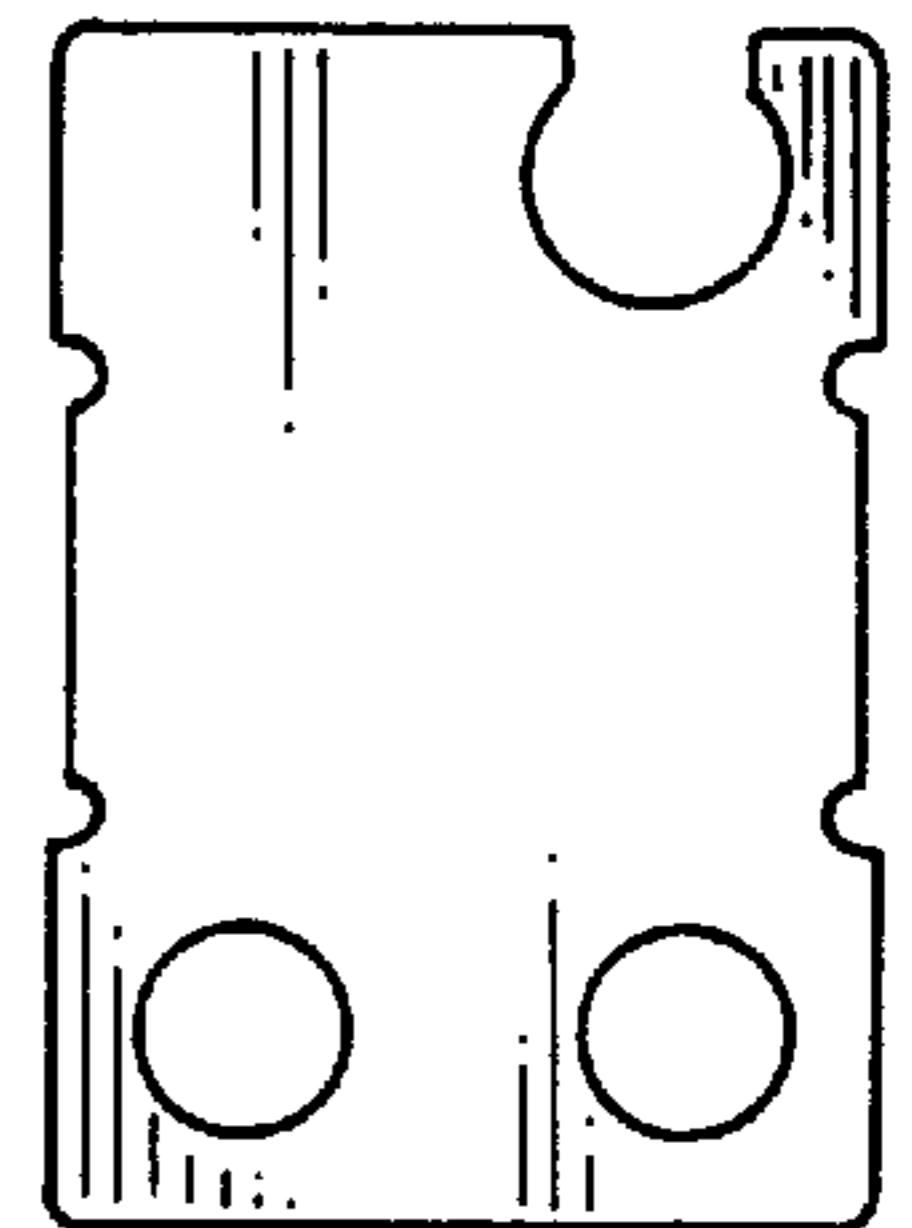


FIG. 5

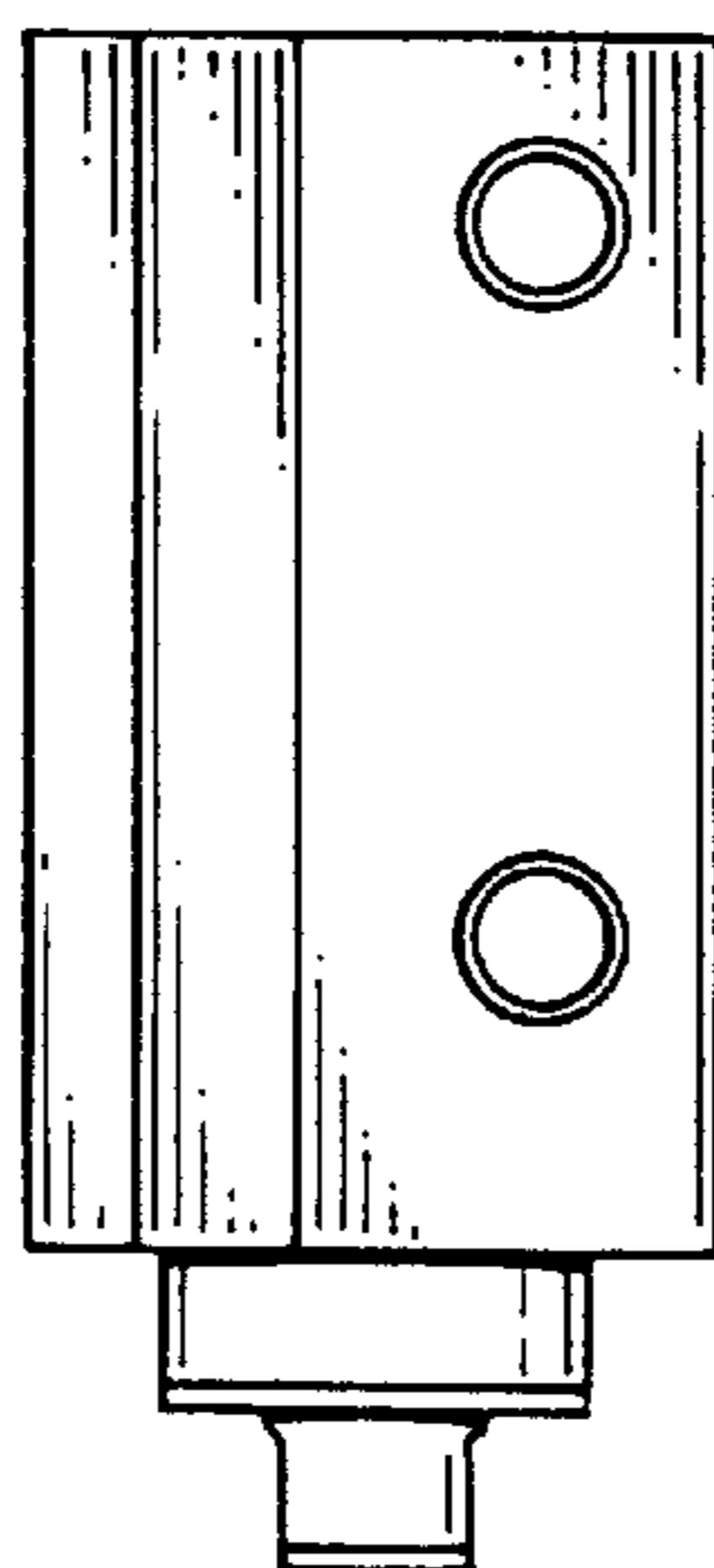


FIG. 6

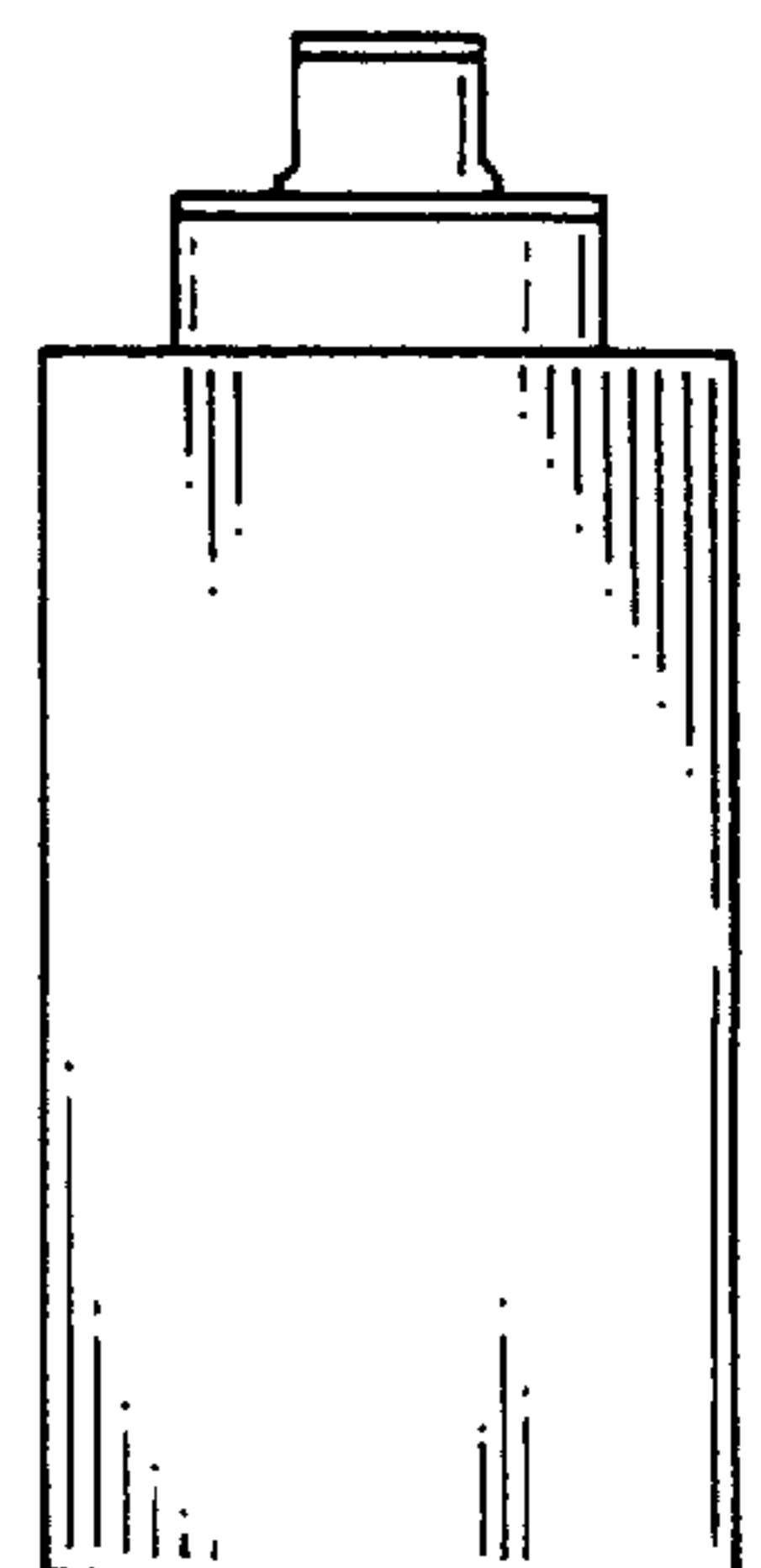


FIG. 7

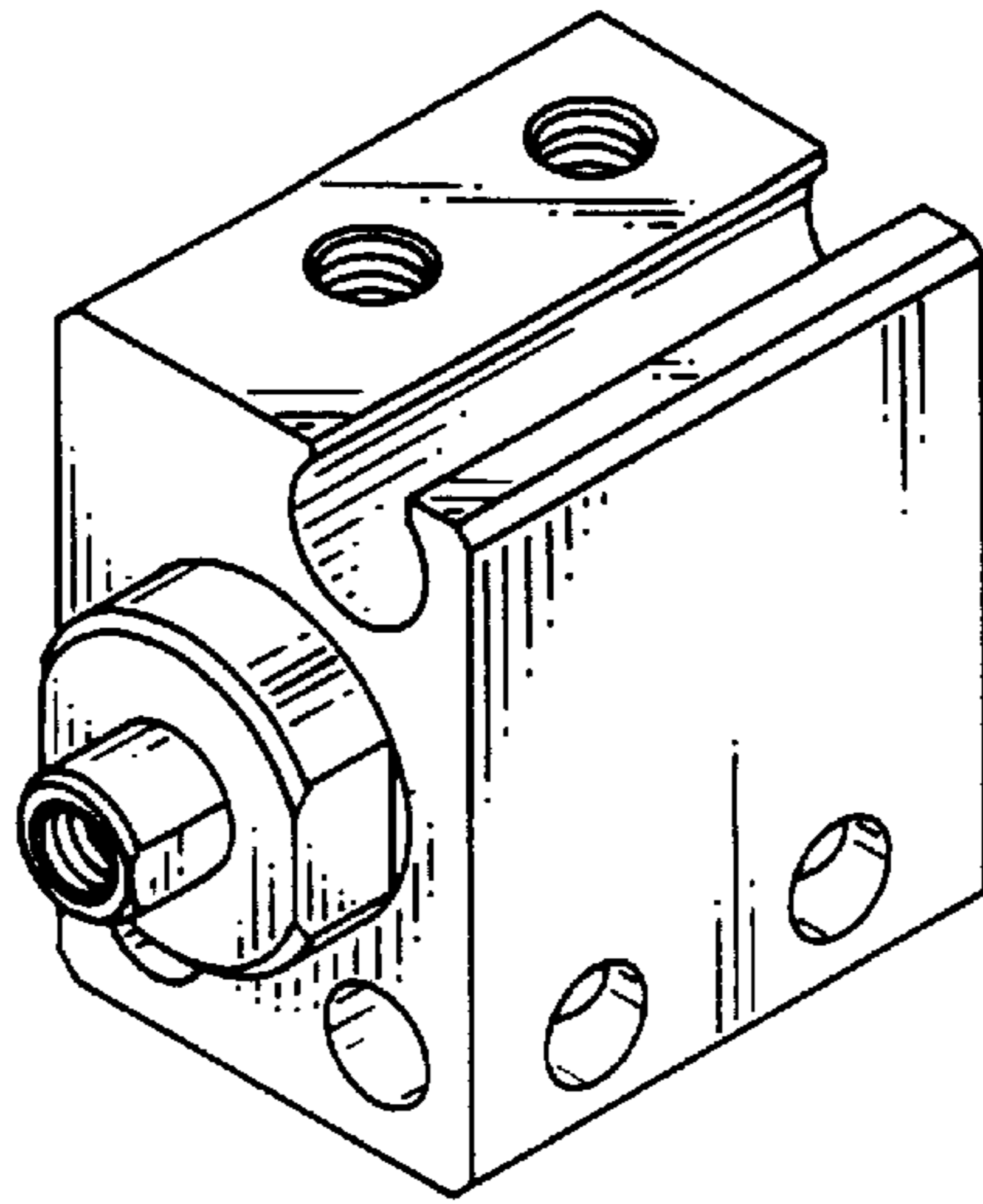


FIG. 8

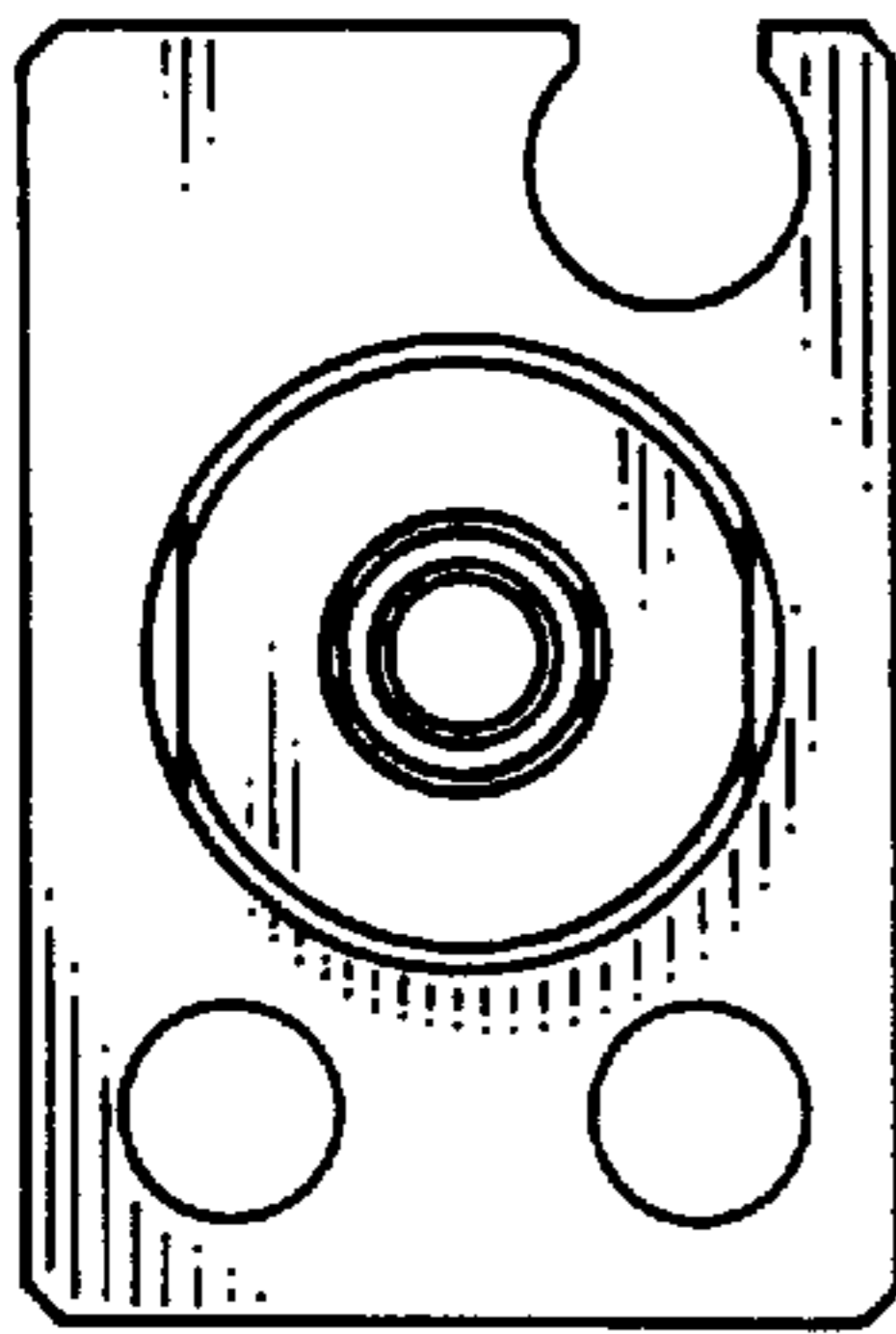


FIG. 9

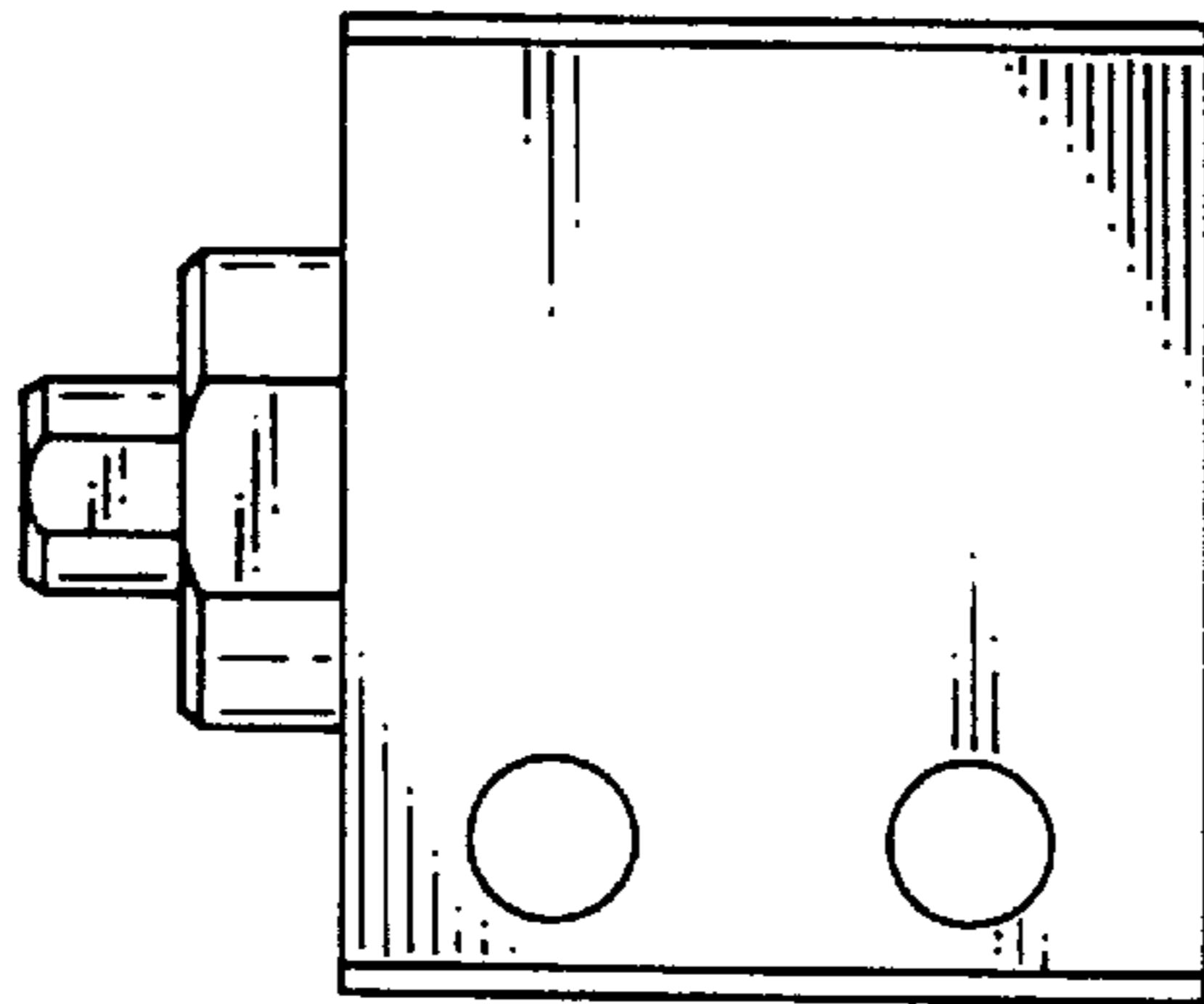


FIG. 10

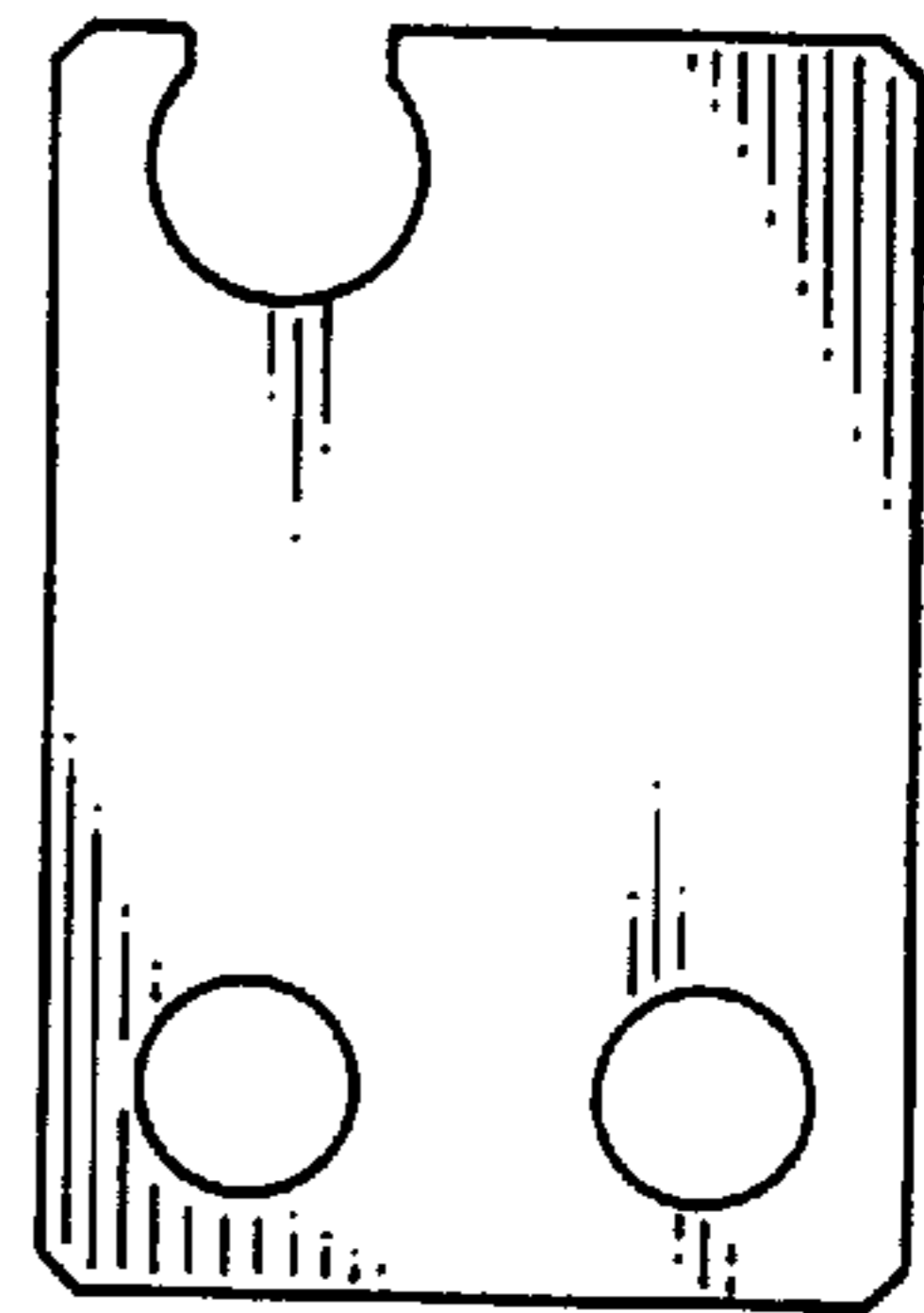


FIG. 11

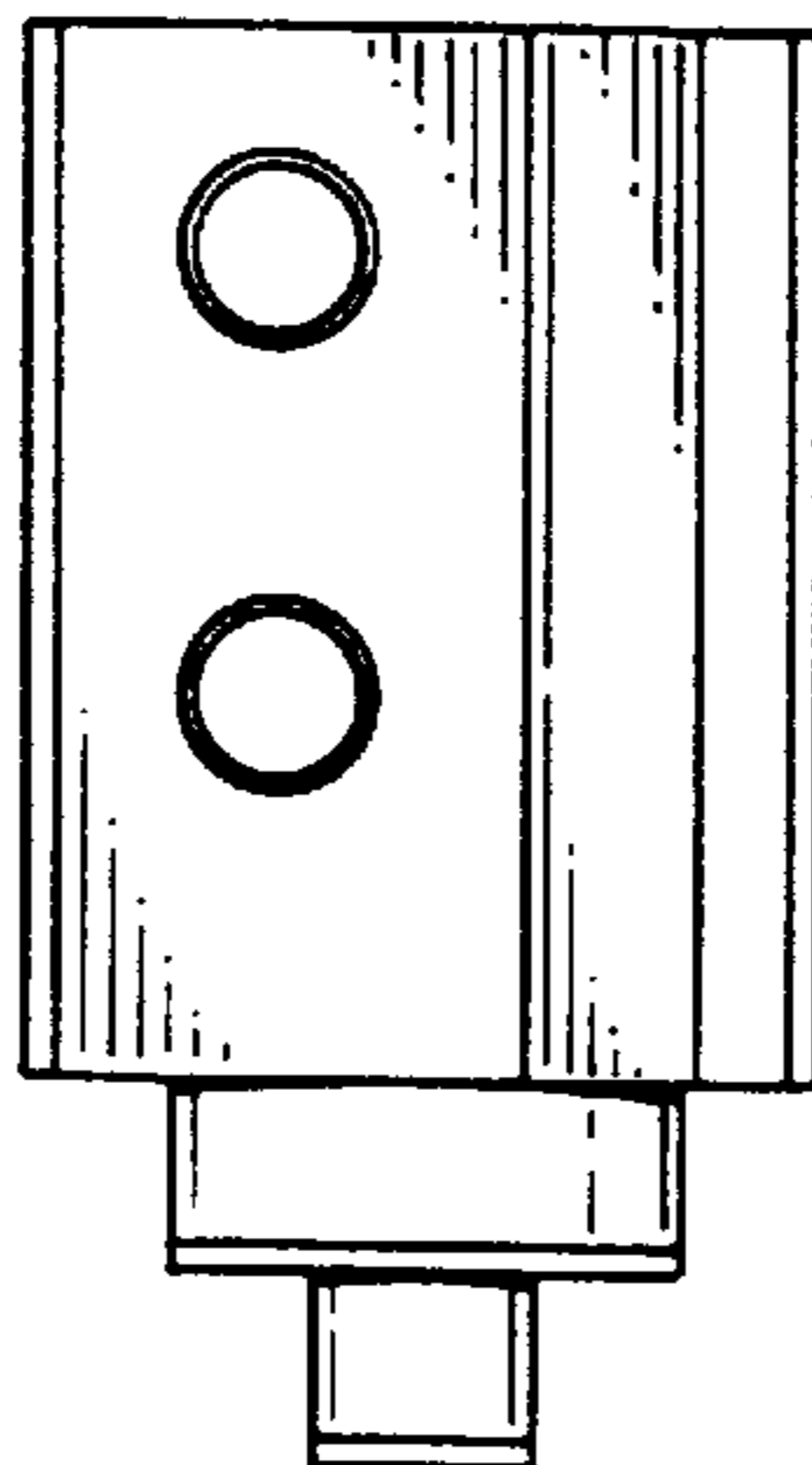


FIG. 12

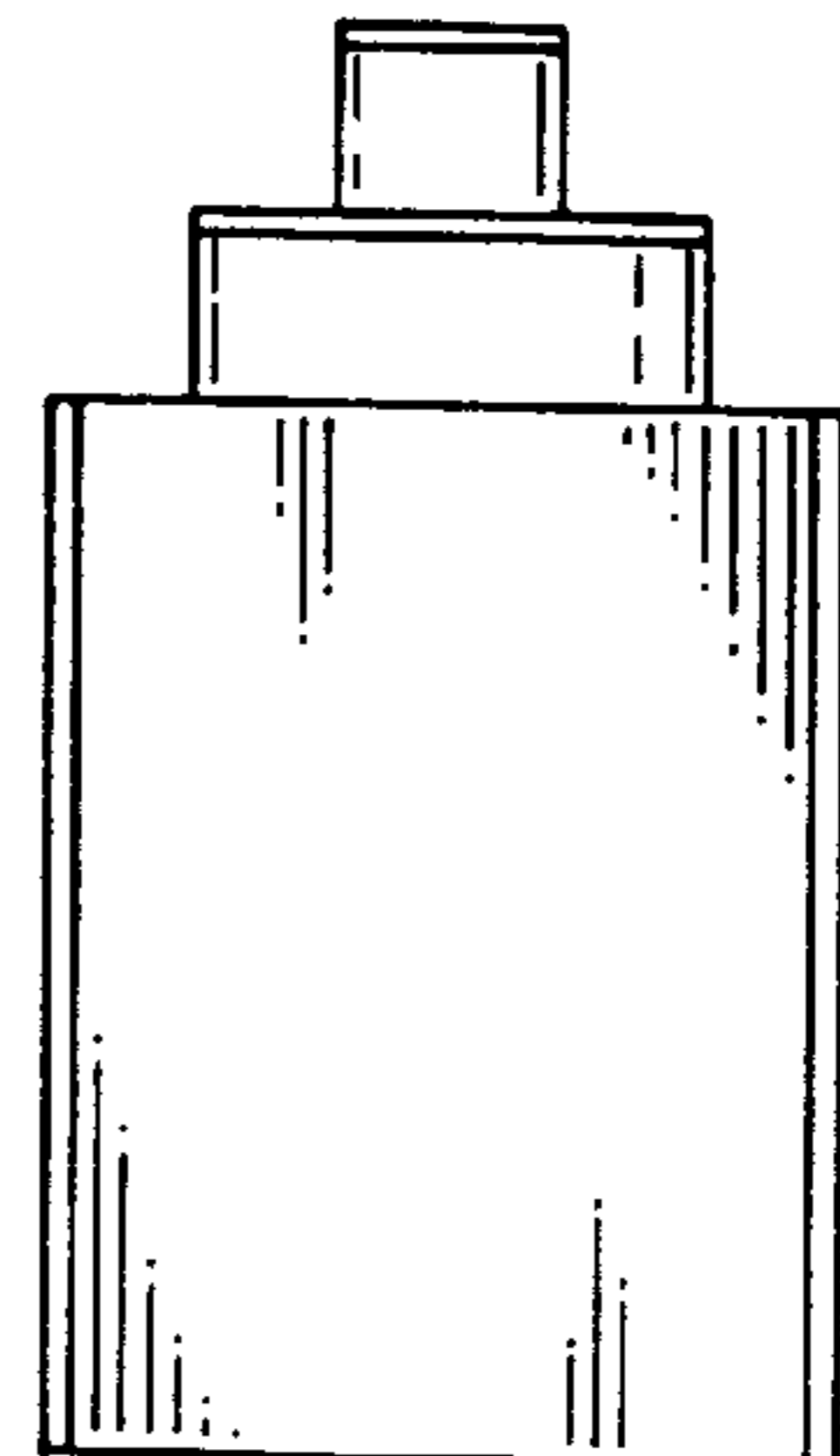


FIG. 13

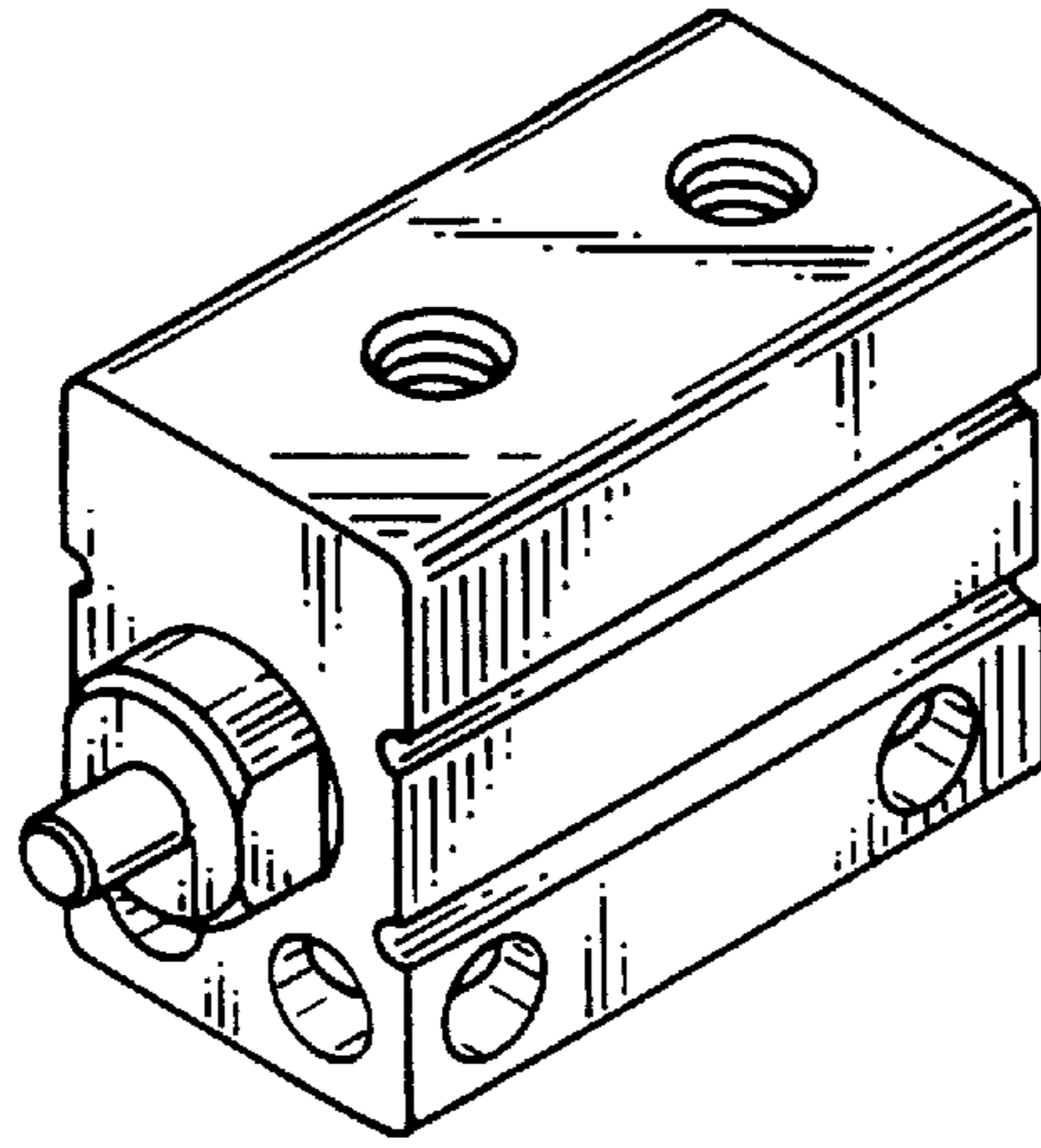


FIG. 14

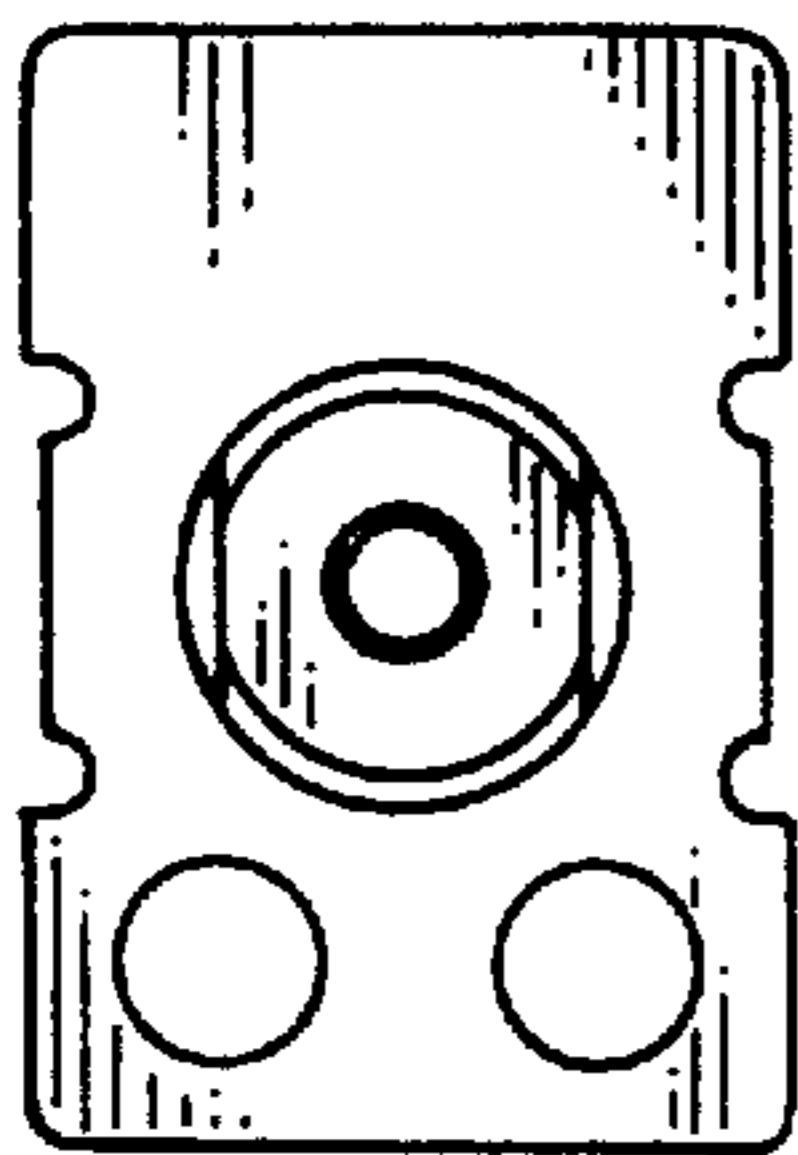


FIG. 15

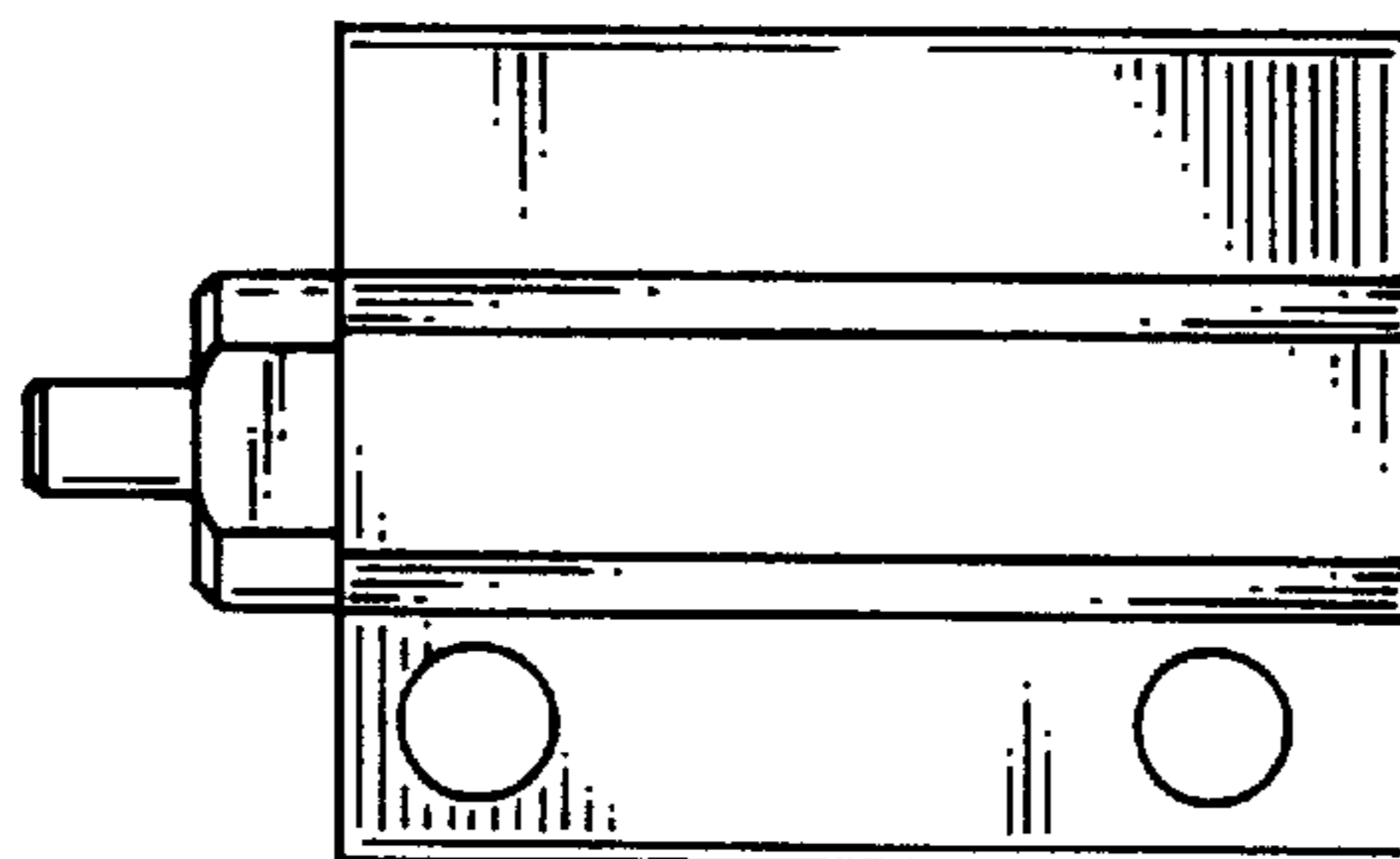


FIG. 16

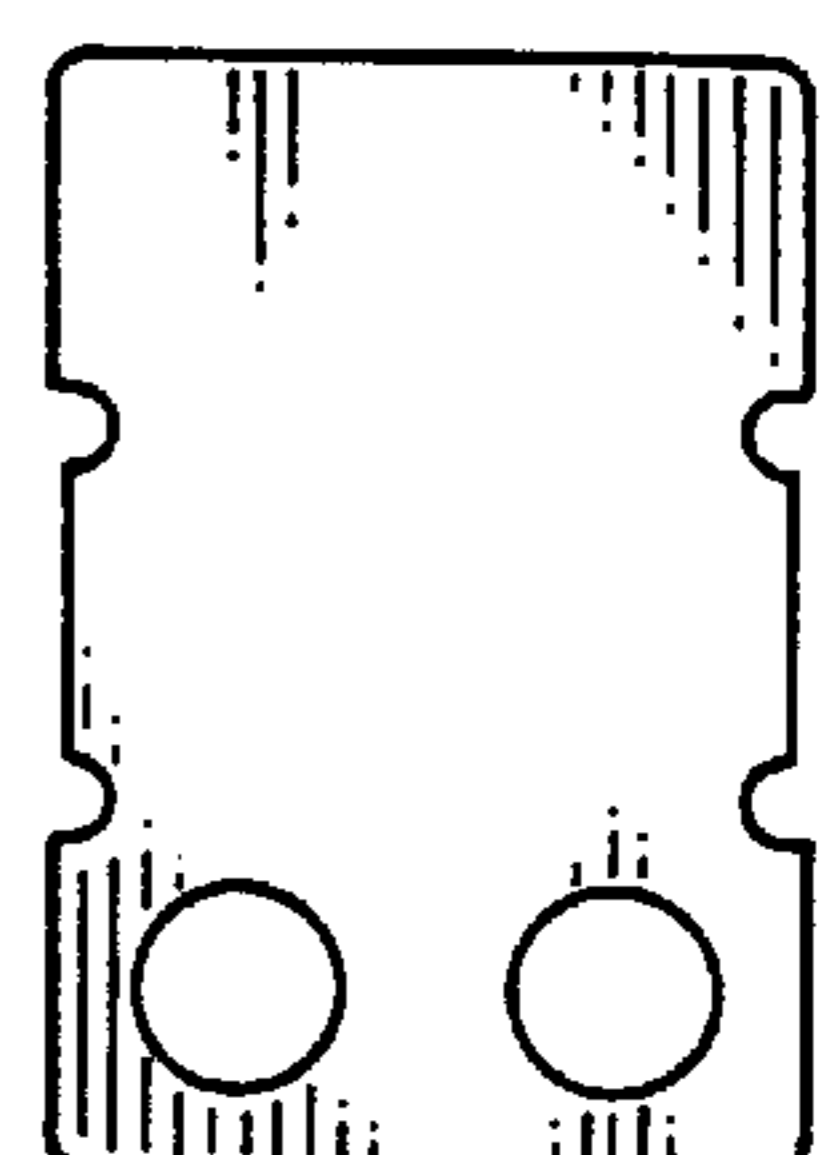


FIG. 17

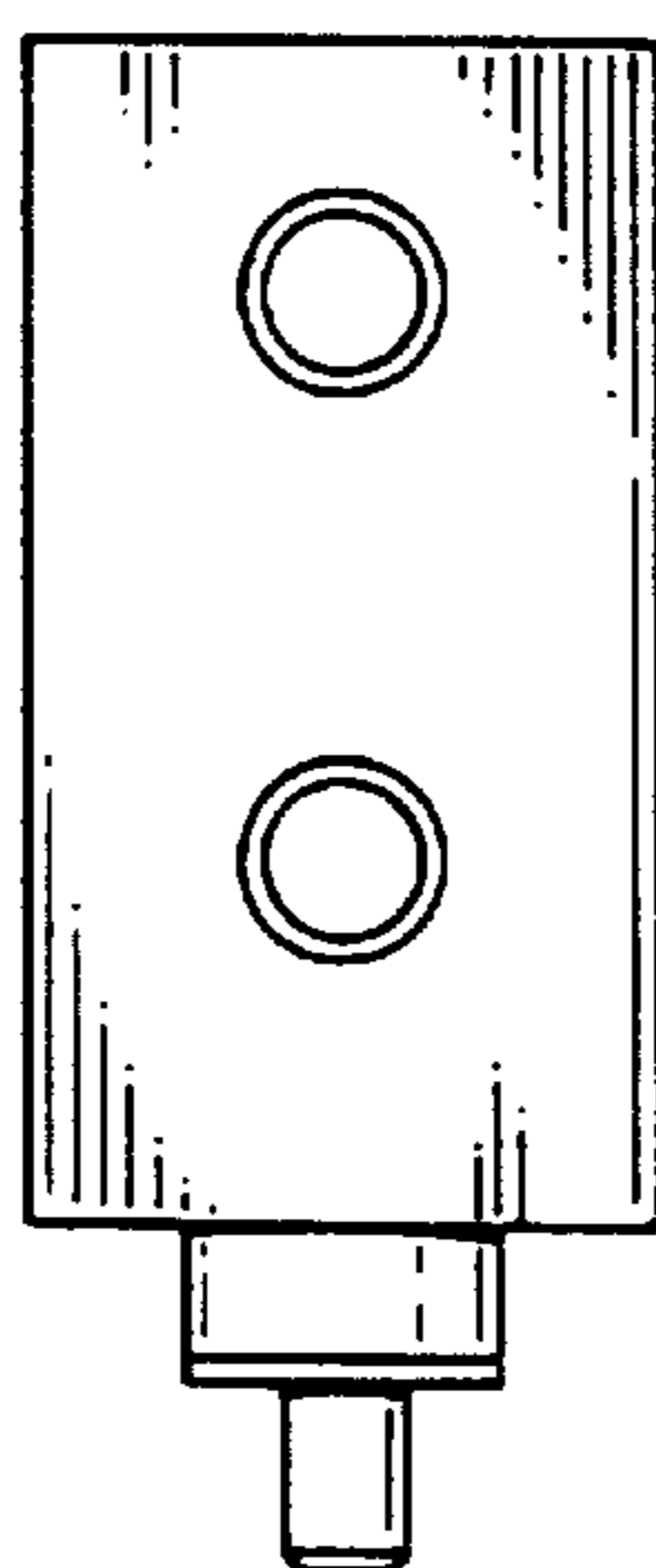


FIG. 18

