



US00D420675S

United States Patent [19]

Tennant et al.

[11] Patent Number: **Des. 420,675**

[45] Date of Patent: **** Feb. 15, 2000**

[54] **FAX MODEM ANSWERING MACHINE ENCLOSURE**

[75] Inventors: **Robert Paul Tennant, Apex; Jay Paul Lindenauer, Cary; Larry Joseph Bolash, Raleigh, all of N.C.**

[73] Assignee: **International Business Machines Corp., Armonk, N.Y.**

[**] Term: **14 Years**

[21] Appl. No.: **29/062,965**

[22] Filed: **Oct. 7, 1996**

[51] **LOC (7) Cl. 14-03**

[52] **U.S. Cl. D14/242; D14/107; D14/118; D14/141**

[58] **Field of Search** D14/100, 107, D14/114, 240, 241, 242, 149, 217, 249, 141, 142, 256, 239, 144; D13/147, 162, 164, 184; D10/78; 375/222, 220, 223, 225; 379/419, 420, 428, 440, 406, 441, 93.01, 93.28; 455/9

[56] **References Cited**

U.S. PATENT DOCUMENTS

- D. 243,254 2/1977 Coon D14/100
- D. 282,926 3/1986 Fulton D14/241 X
- D. 291,435 8/1987 Kawano et al. D14/141

- D. 293,319 12/1987 Matsuda et al. D14/241
- D. 293,780 1/1988 Martinez D14/141
- D. 301,877 6/1989 Greenberg et al. D14/107
- D. 362,855 10/1995 Bevilacqua et al. D14/240
- D. 366,217 1/1996 Dudley et al. D10/78 X
- D. 380,199 6/1997 Beruscha et al. D13/184
- D. 384,672 10/1997 Heberling D14/107 X
- 3,911,446 10/1975 Albertini 379/441 X

OTHER PUBLICATIONS

Tiger Software Catalog, p. 52 Motorola Premier, Bitsurf Pro and Practical 288, No date provided.

Primary Examiner—Jeffrey Asch
Attorney, Agent, or Firm—George E. Grosser

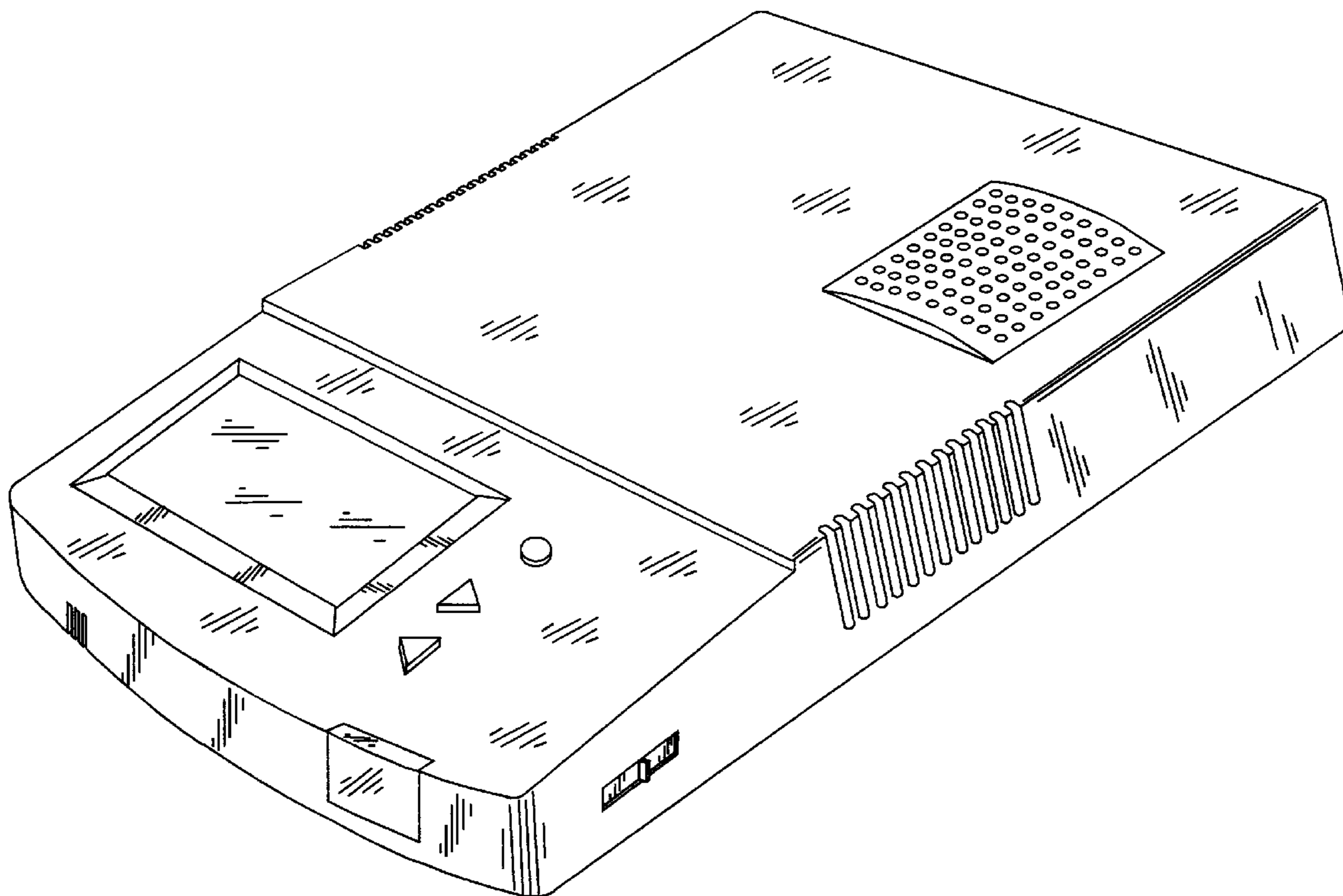
[57] **CLAIM**

The ornamental design for a fax modem answering machine enclosure, as shown and described.

DESCRIPTION

FIG. 1 is a right, front, top perspective view of a fax/modem answering machine enclosure according to the invention; FIG. 2 is a front elevational view thereof; FIG. 3 is a rear elevational view thereof; FIG. 4 is a left side elevational view thereof; FIG. 5 is a right side elevational view thereof; FIG. 6 is a top plan view thereof; and, FIG. 7 is a bottom plan view thereof.

1 Claim, 5 Drawing Sheets



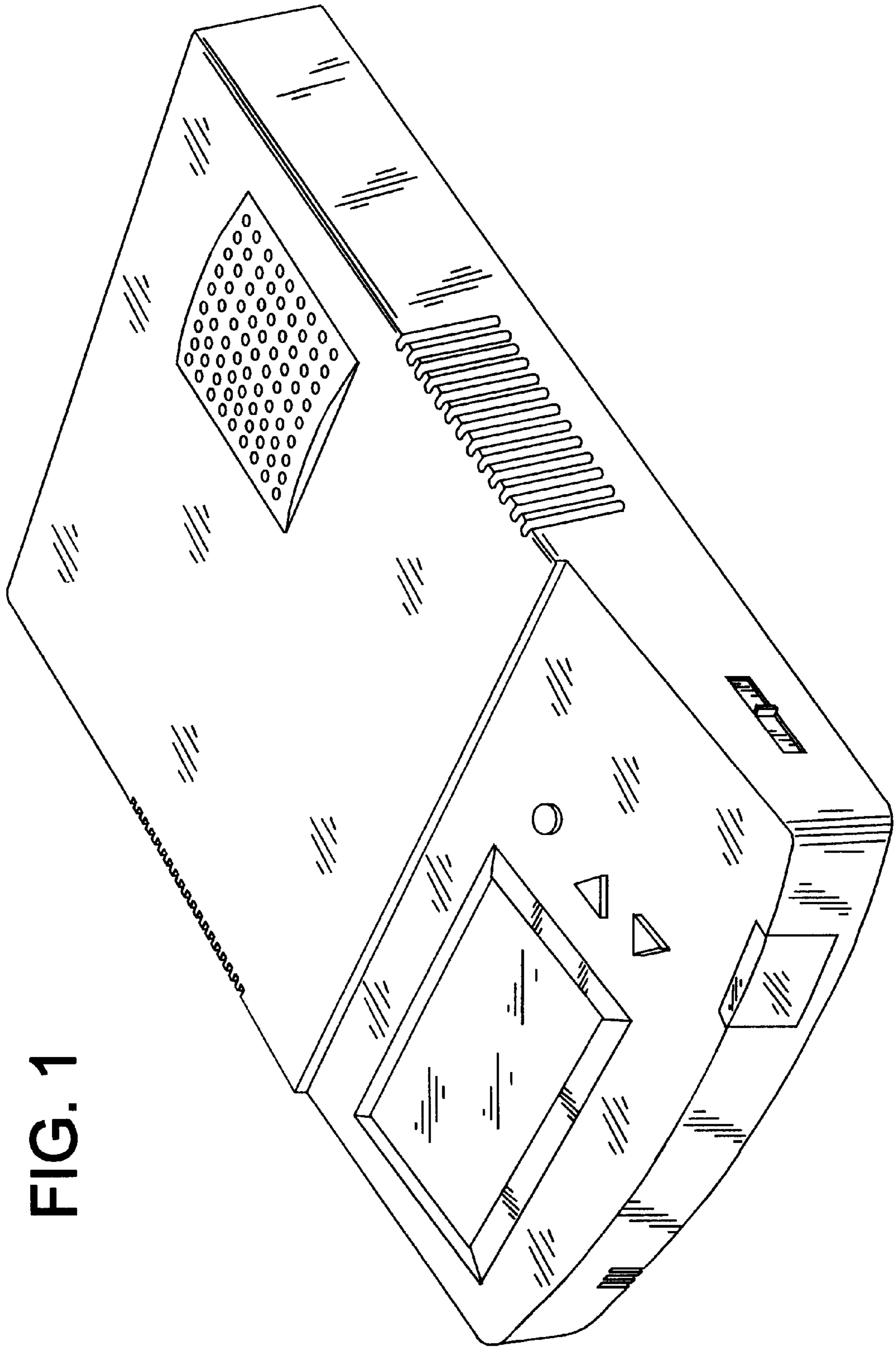


FIG. 1

FIG. 2

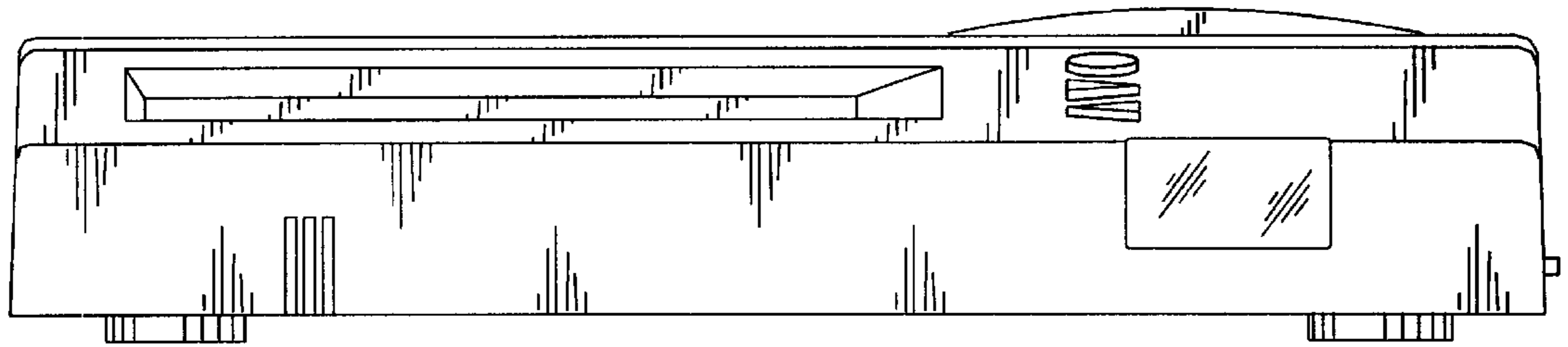


FIG. 3

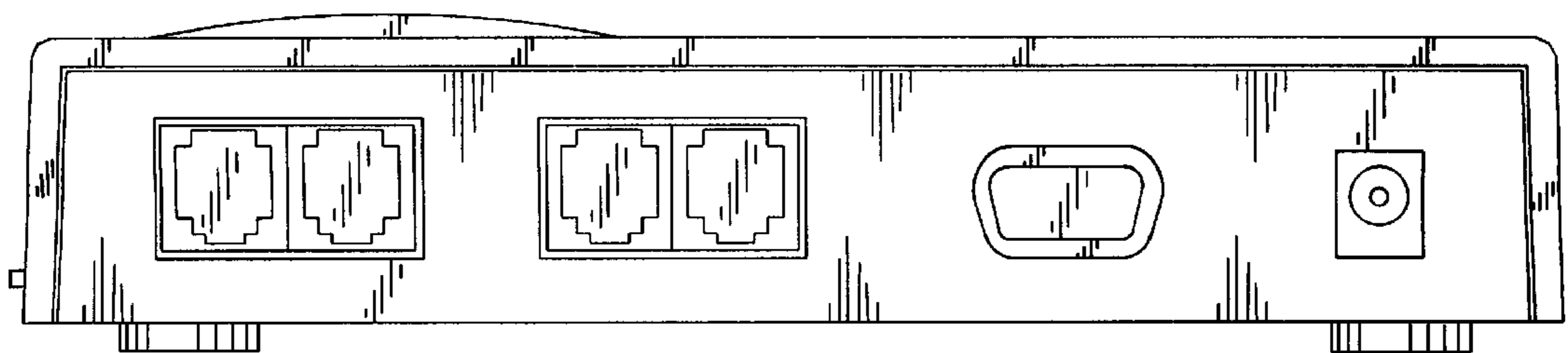


FIG. 4

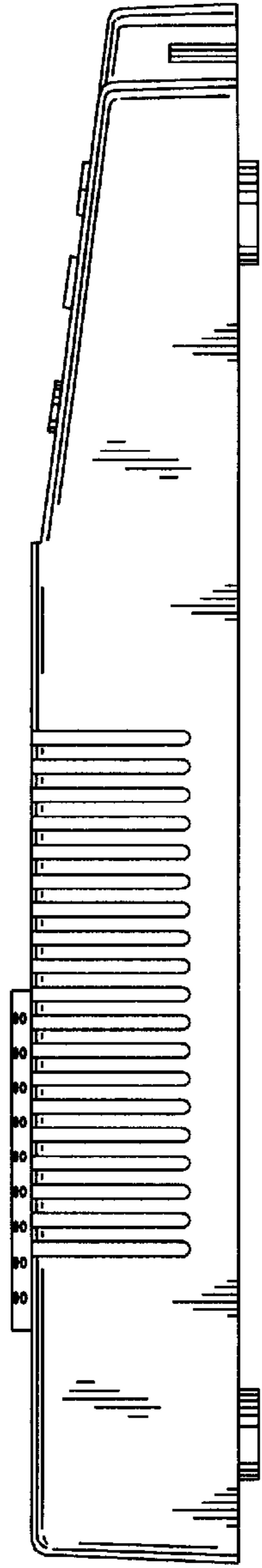


FIG. 5

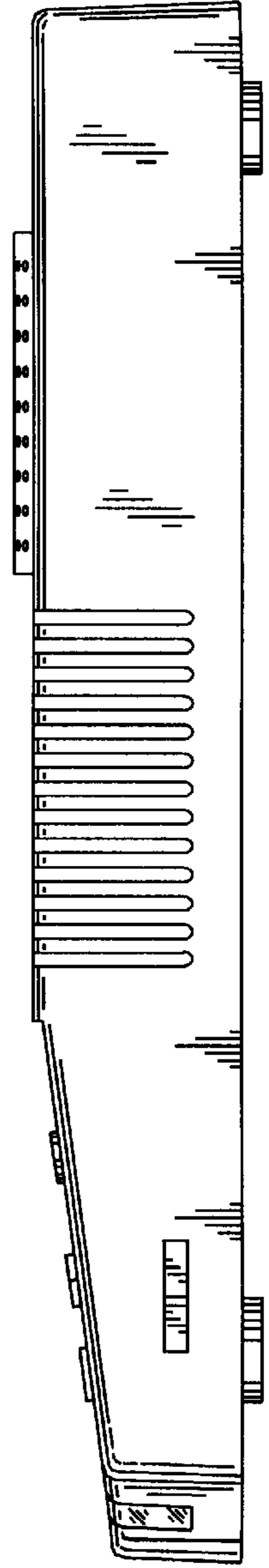


FIG. 6

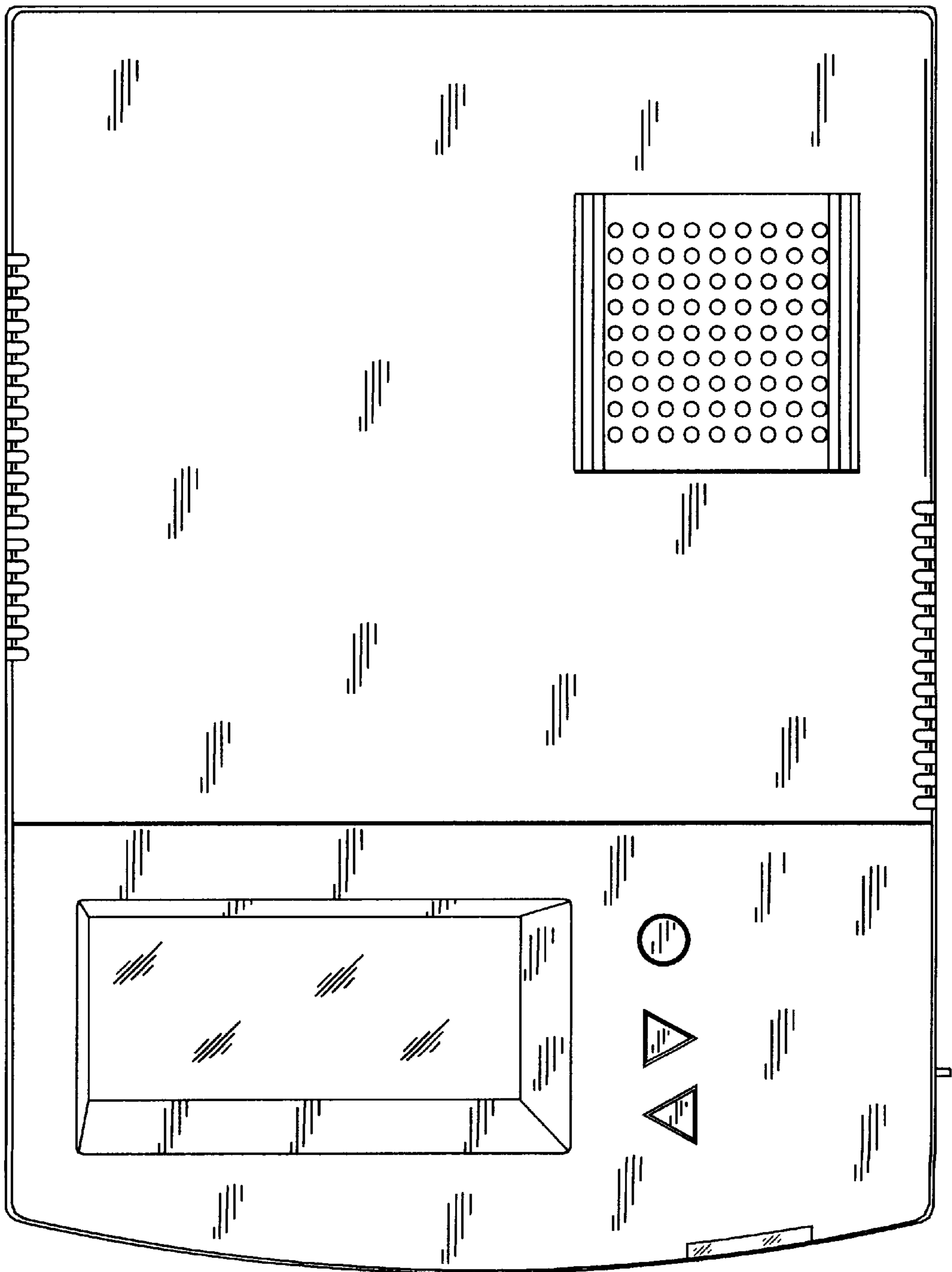


FIG. 7

