



US00D420673S

United States Patent [19]

Shen et al.

[11] Patent Number: **Des. 420,673**

[45] Date of Patent: **** Feb. 15, 2000**

[54] **CALLER ID DISPLAY DEVICE WITHOUT A VARIABLE EXTENDING STAND**

[75] Inventors: **Francis Shen; Peter Welch**, both of Toronto, Canada

[73] Assignee: **Aastra Technologies Limited**, Canada

[**] Term: **14 Years**

[21] Appl. No.: **29/100,347**

[22] Filed: **Feb. 9, 1999**

[51] **LOC (7) Cl.** **24-03**

[52] **U.S. Cl.** **D14/240**

[58] **Field of Search** D14/218, 155, D14/149, 140-142, 240, 159, 100, 107, 114, 191, 241; 379/433-436, 419, 420, 428, 440, 142, 441, 442; D13/162, 164, 184; D10/2, 15, 75, 46, 30; D21/331, 333, 324

[56] References Cited

U.S. PATENT DOCUMENTS

D. 206,005	10/1966	Perkins et al.	D10/75
D. 269,857	7/1983	Goodin et al.	D10/15
D. 274,648	7/1984	Swanson	D10/75
D. 277,477	2/1985	Foggin et al.	D14/241
D. 293,780	1/1988	Martinez	D14/141
D. 311,141	10/1990	Muraa	D10/15
D. 349,501	8/1994	Fan	D14/240

D. 350,745	9/1994	Tamura et al.	D14/141
D. 366,837	2/1996	Cooney	D10/15 X
D. 370,911	6/1996	Mo	D14/149
D. 372,718	8/1996	Biasotti et al.	D14/240
D. 374,235	10/1996	Biasotti et al.	D14/240
5,907,605	5/1999	Ramirez et al.	379/142

OTHER PUBLICATIONS

Best catalog, page p19, item C, AT&T Call Display 25., and item F, GE Caller ID box, Jan. 1996.

Primary Examiner—Jeffrey Asch

Attorney, Agent, or Firm—George T. Marcou; Kilpatrick Stockton LLP

[57] CLAIM

The ornamental design for a caller ID display device without a variable extending stand, as shown and described.

DESCRIPTION

FIG. 1 is a front-right side perspective view of a caller ID display device.

FIG. 2 is a left side view of the caller ID device of FIG. 1.

FIG. 3 is a right side view of the caller ID device of FIG. 1.

FIG. 4 is a top view of the caller ID device of FIG. 1.

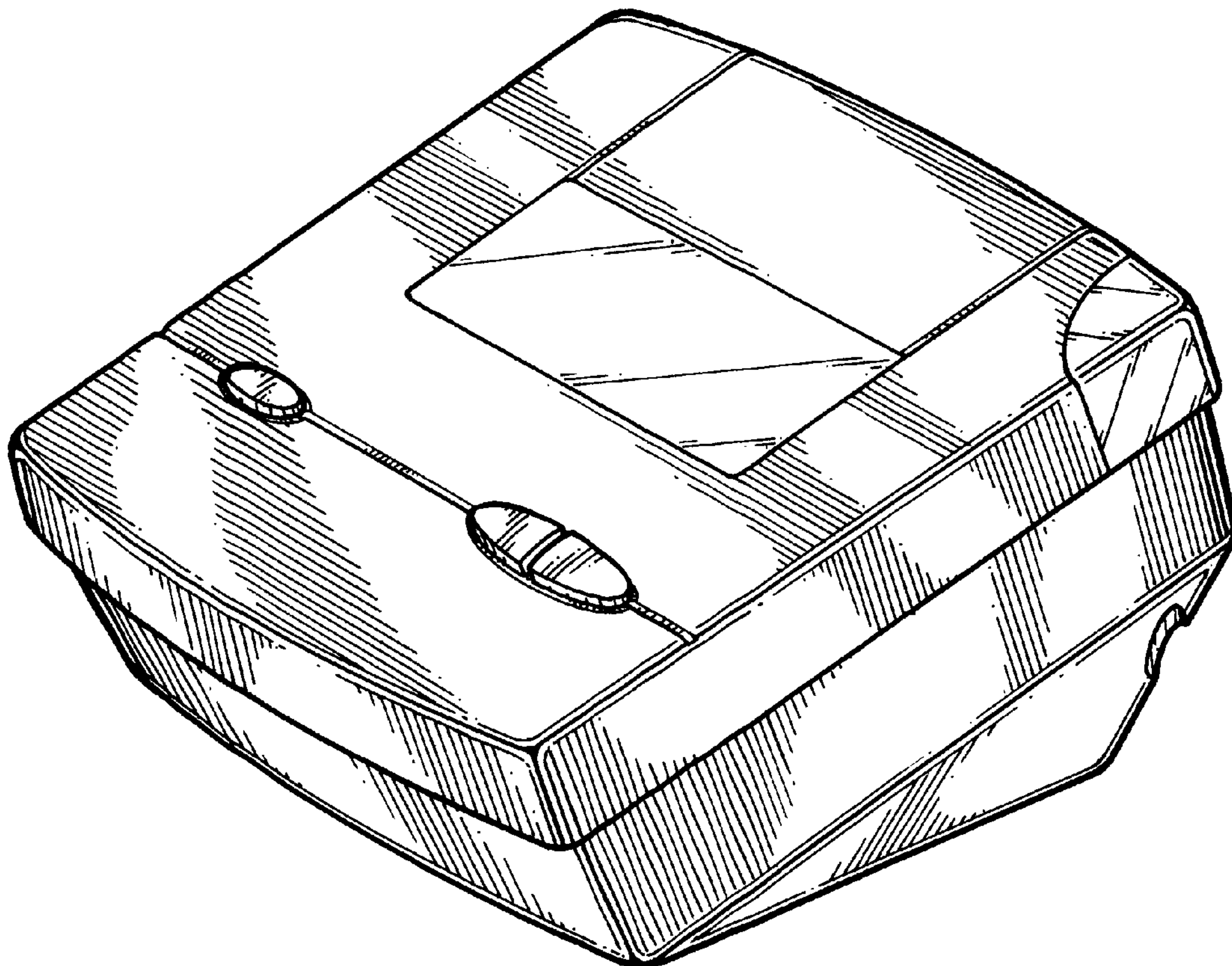
FIG. 5 is a bottom view of the caller ID device of FIG. 1.

FIG. 6 is a front view of the caller ID device of FIG. 1; and,

FIG. 7 is a rear view of the caller ID device of FIG. 1.

The features shown at the rear, FIG. 7, by means of broken lines, form no part of the claimed design.

1 Claim, 4 Drawing Sheets



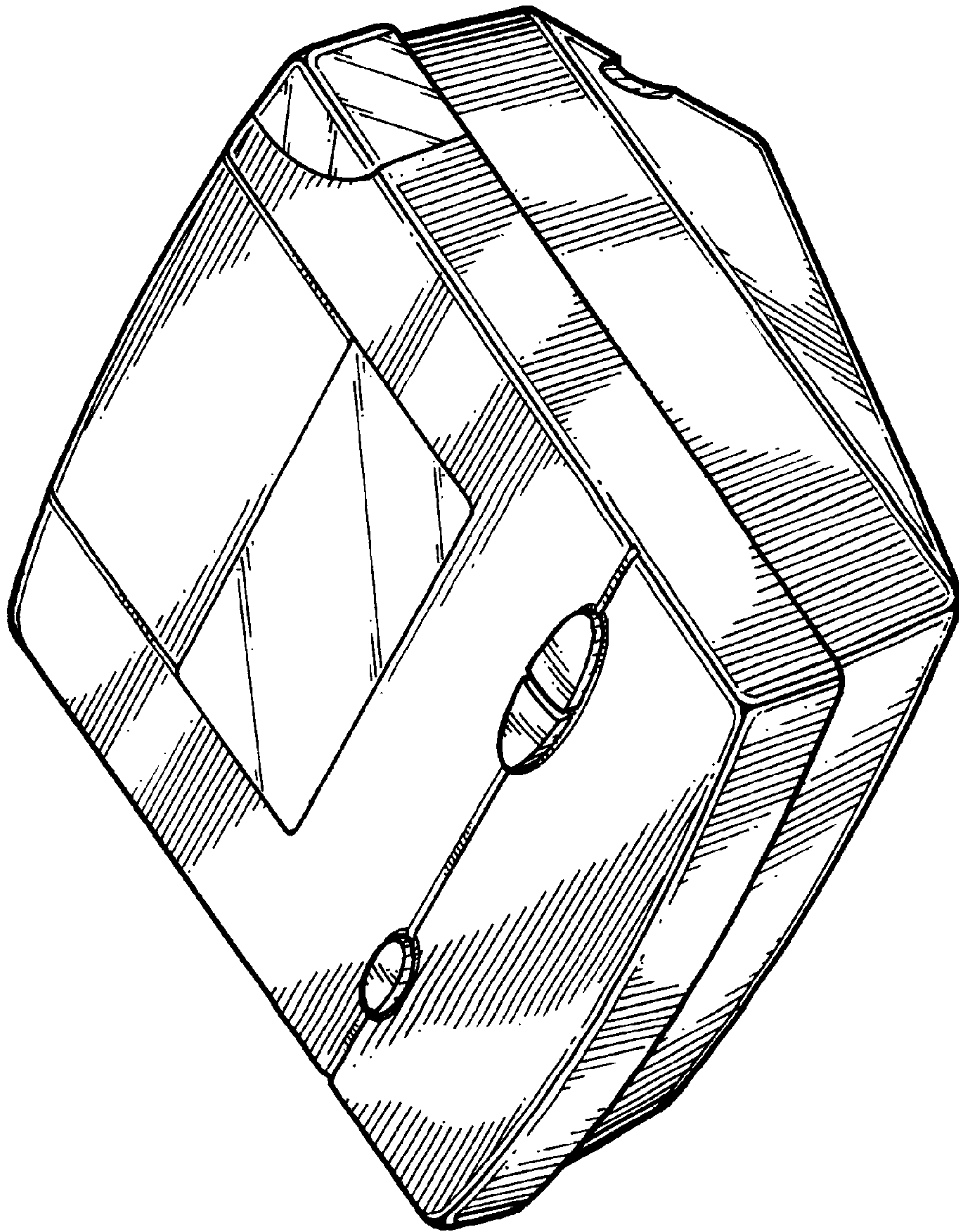


FIG.1

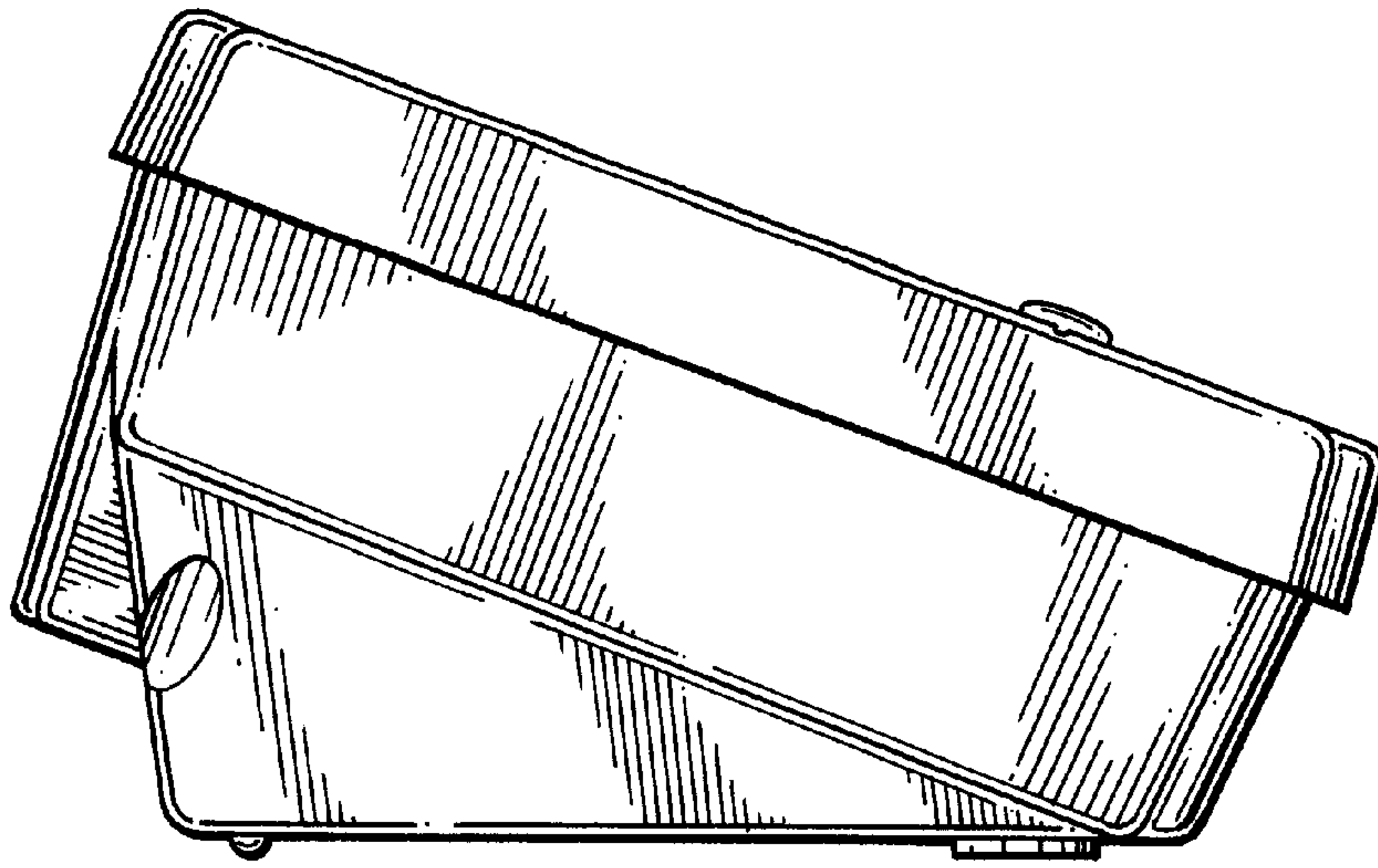


FIG. 2

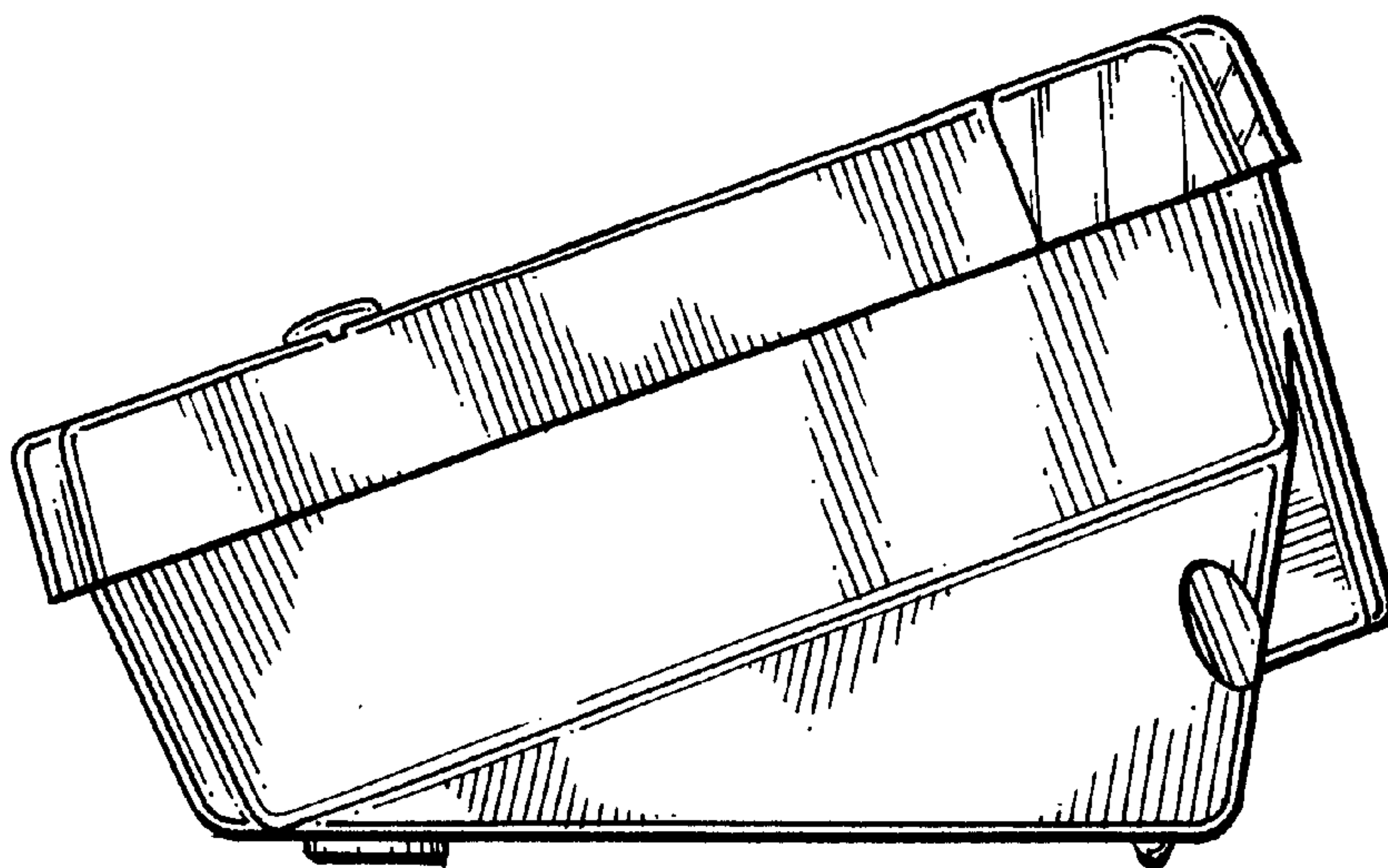


FIG. 3

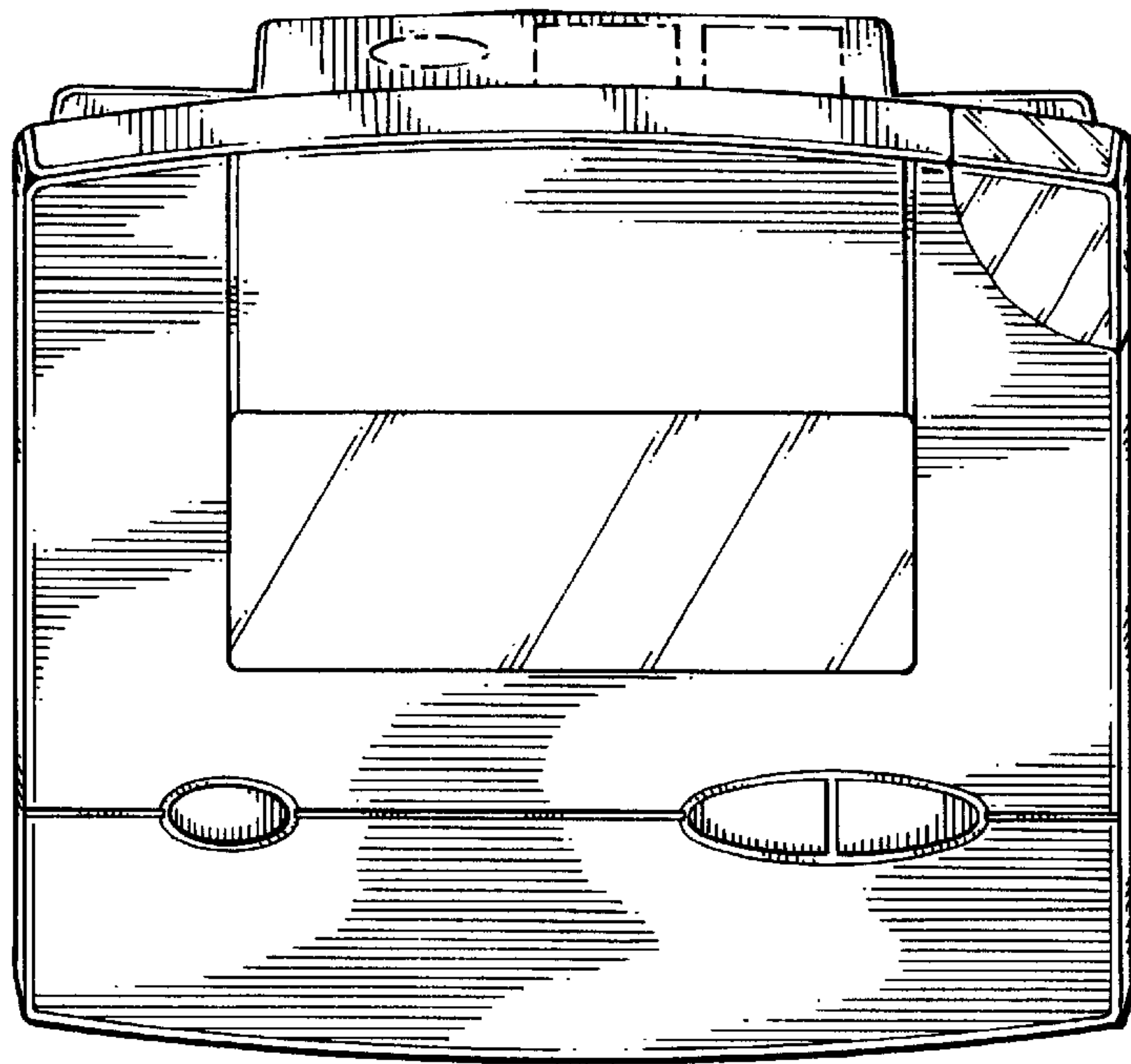


FIG. 4

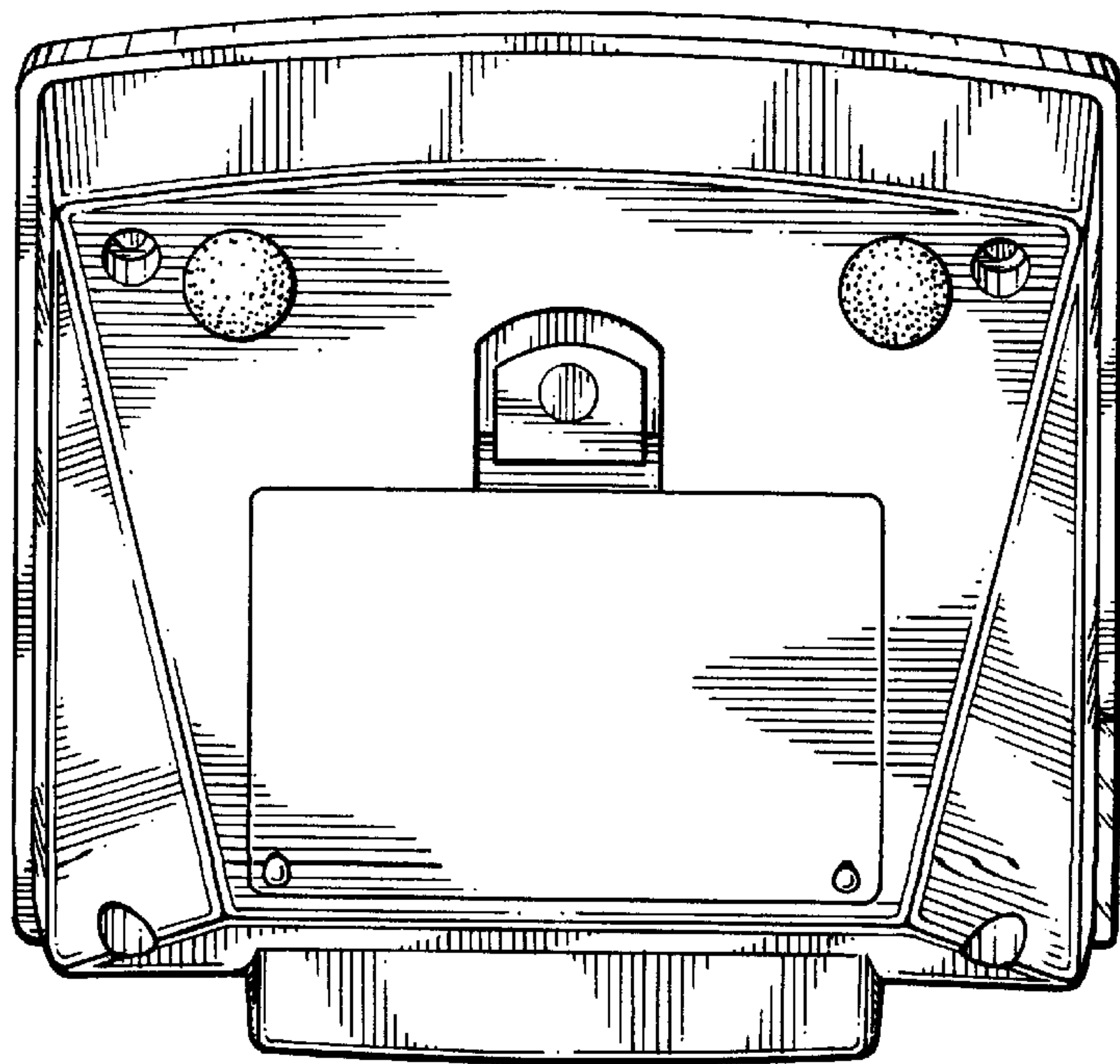


FIG. 5

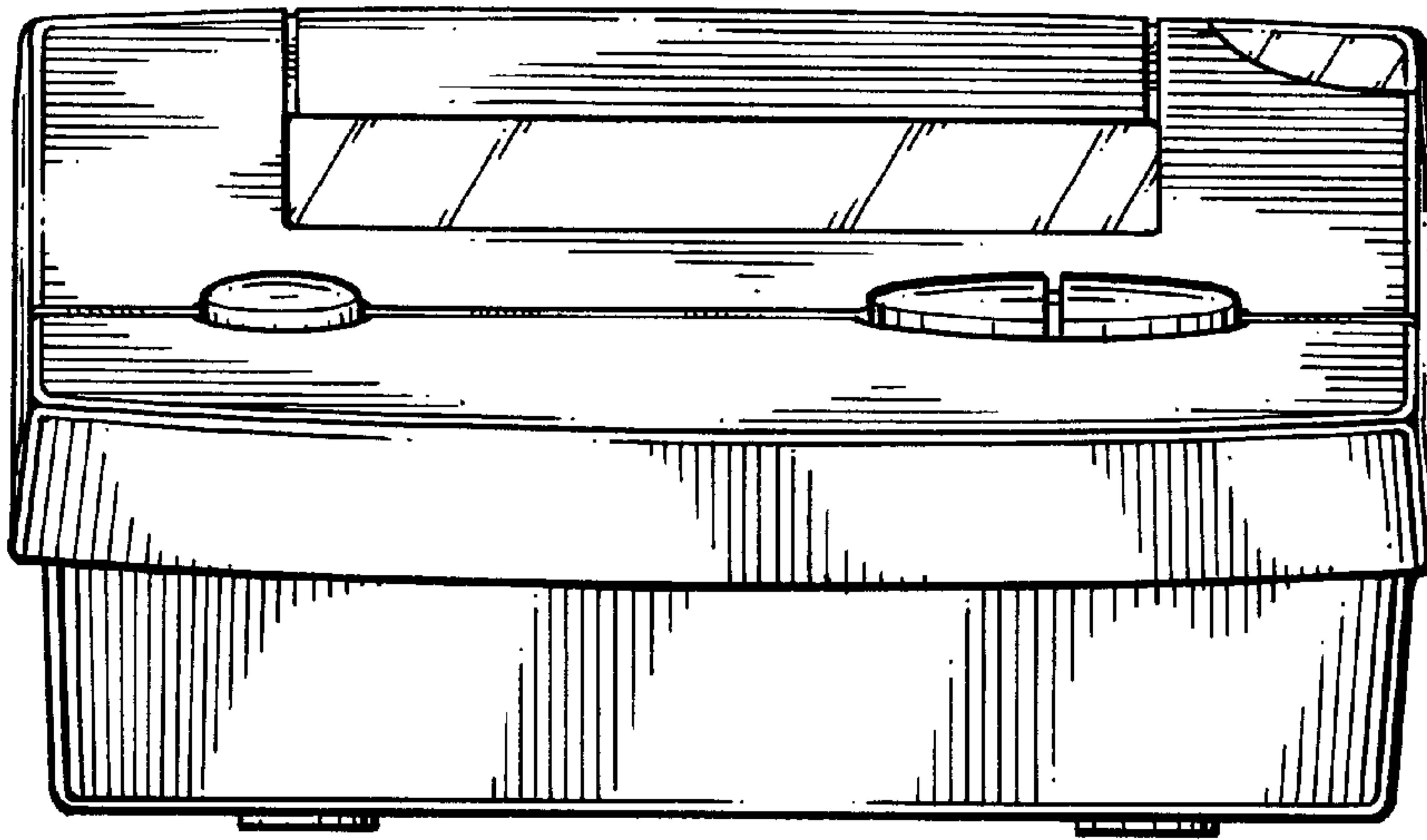


FIG. 6

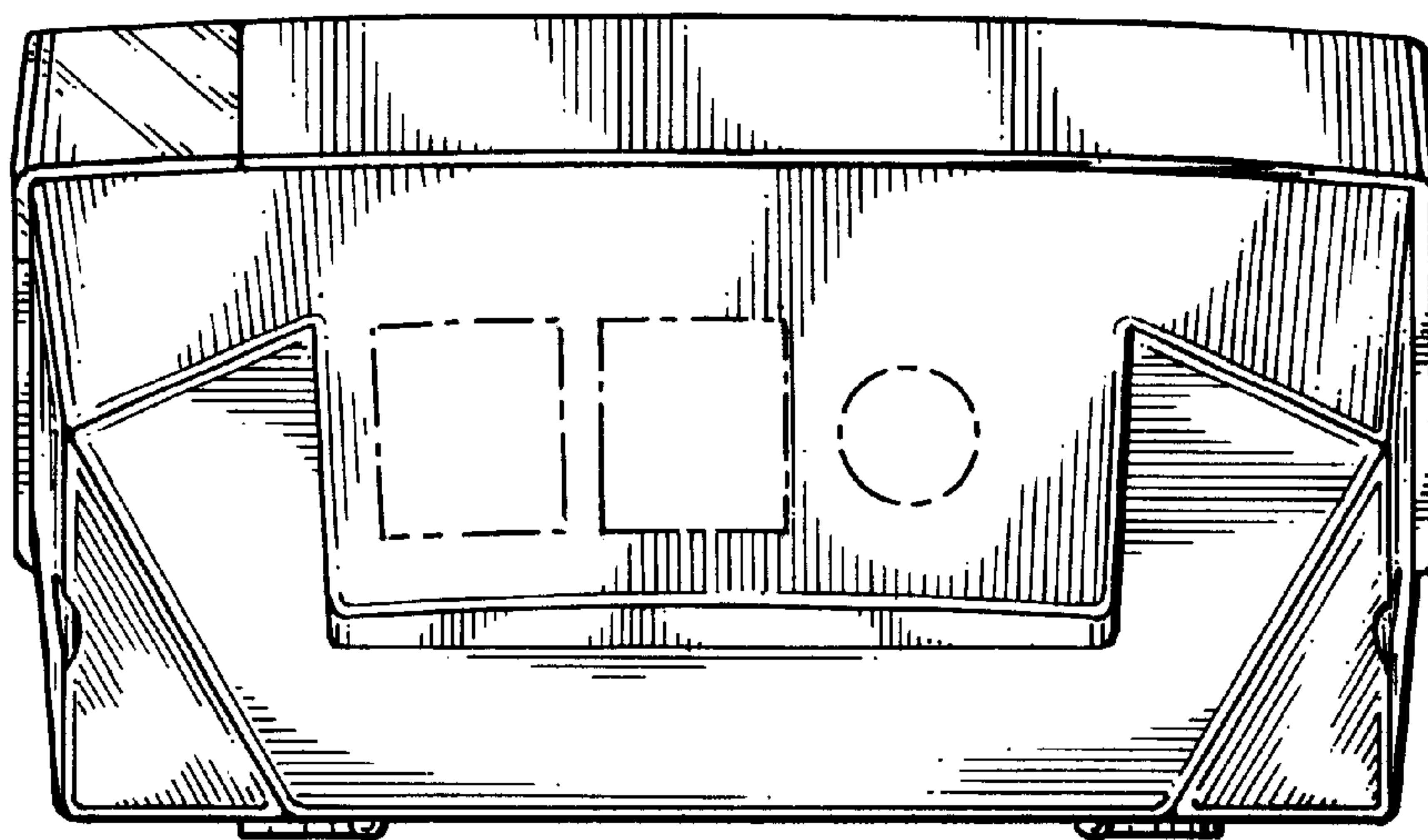


FIG. 7