



US00D420672S

United States Patent [19]

Dunn et al.

[11] Patent Number: **Des. 420,672**

[45] Date of Patent: **** Feb. 15, 2000**

- [54] **CALLER ID DISPLAY BUTTONS**
- [75] Inventors: **David Dunn; Francis Shen**, both of Toronto, Canada
- [73] Assignee: **Aastra Technologies Limited**, Canada
- [**] Term: **14 Years**
- [21] Appl. No.: **29/097,673**
- [22] Filed: **Dec. 11, 1998**
- [51] **LOC (7) Cl.** **14-03**
- [52] **U.S. Cl.** **D14/240; D14/115; D14/247**
- [58] **Field of Search** D14/137, 218, D14/138, 247, 148, 147, 149-151, 140-142, 240, 115, 100, 107, 114, 191; 379/433-436, 419, 420, 428, 440, 142, 441, 442; D13/162, 164, 168; D10/2, 15; 455/550-575, 90; D18/2, 7

- D. 372,718 8/1996 Biasotti et al. D14/240
- D. 398,607 9/1998 Hanafsa et al. D14/191

OTHER PUBLICATIONS

Best catalog, p. p19, item F, GE Caller ID box, Jan. 1996. Hello Direct, p. 38, item 3884R Indiglo N/N-94 at top of right column, fall 1996.

Primary Examiner—Jeffrey Asch
Attorney, Agent, or Firm—George T. Marcou; Kilpatrick Stockton LLP

[57] CLAIM

The ornamental design for caller ID display buttons, as shown and described.

DESCRIPTION

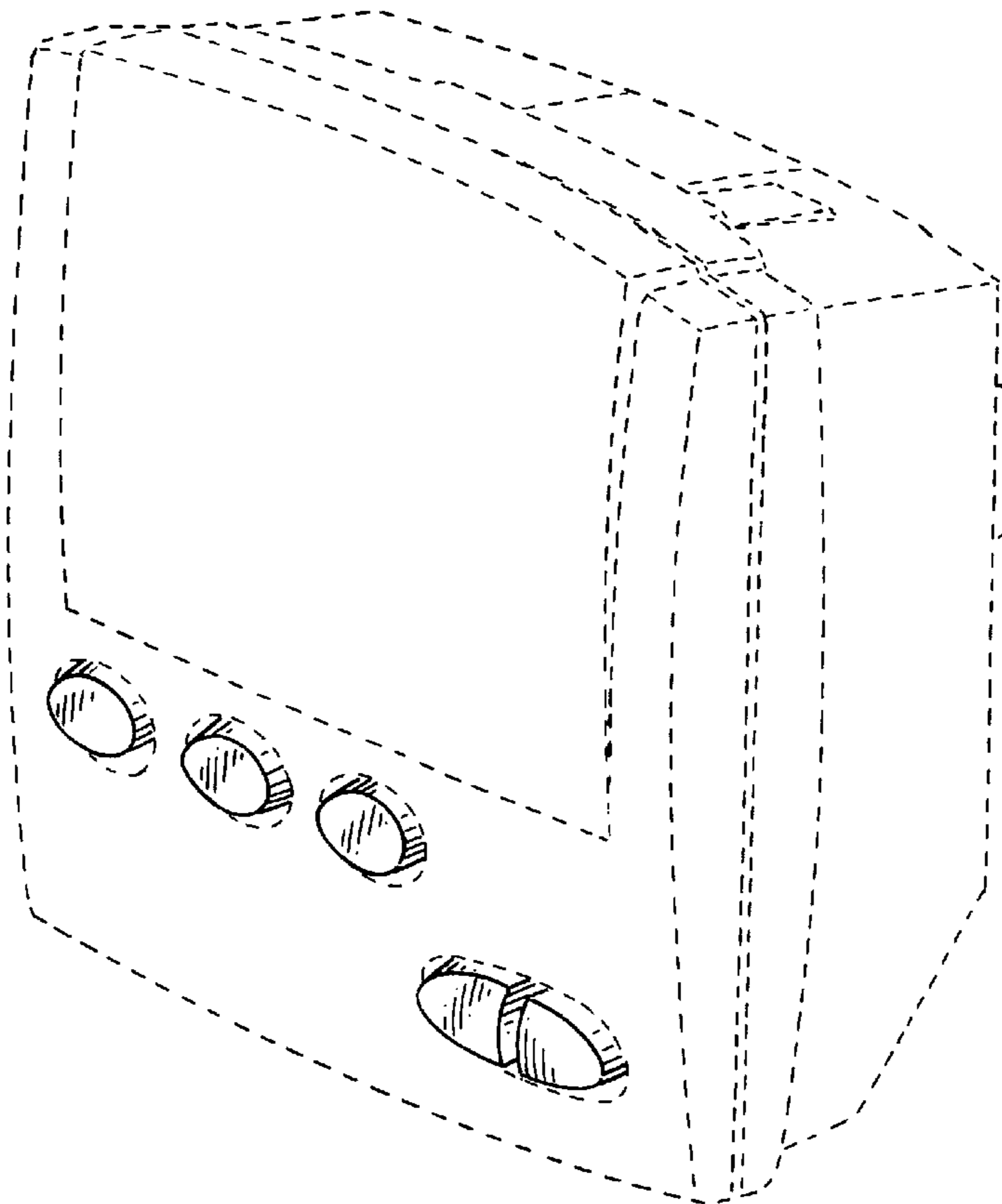
FIG. 1 is a front-right side perspective view of the caller ID buttons showing our design. FIG. 2 is a left side view of the caller ID buttons of FIG. 1. FIG. 3 is a top view of the caller ID buttons of FIG. 1; and, FIG. 4 is a bottom view of the caller ID buttons of FIG. 1. The broken line showings of a caller ID are for illustrative purposes only and form no part of the claimed design. Any portion of the article hidden behind the broken line disclosure and not shown in any view is not a part of the claimed design.

[56] References Cited

U.S. PATENT DOCUMENTS

- D. 311,141 10/1990 Muraa D10/15
- D. 325,913 5/1992 Takahashi et al. D14/191
- D. 350,745 9/1994 Tamura et al. D14/141
- D. 370,911 6/1996 Mo D14/149
- D. 371,556 7/1996 Khoo D14/191

1 Claim, 3 Drawing Sheets



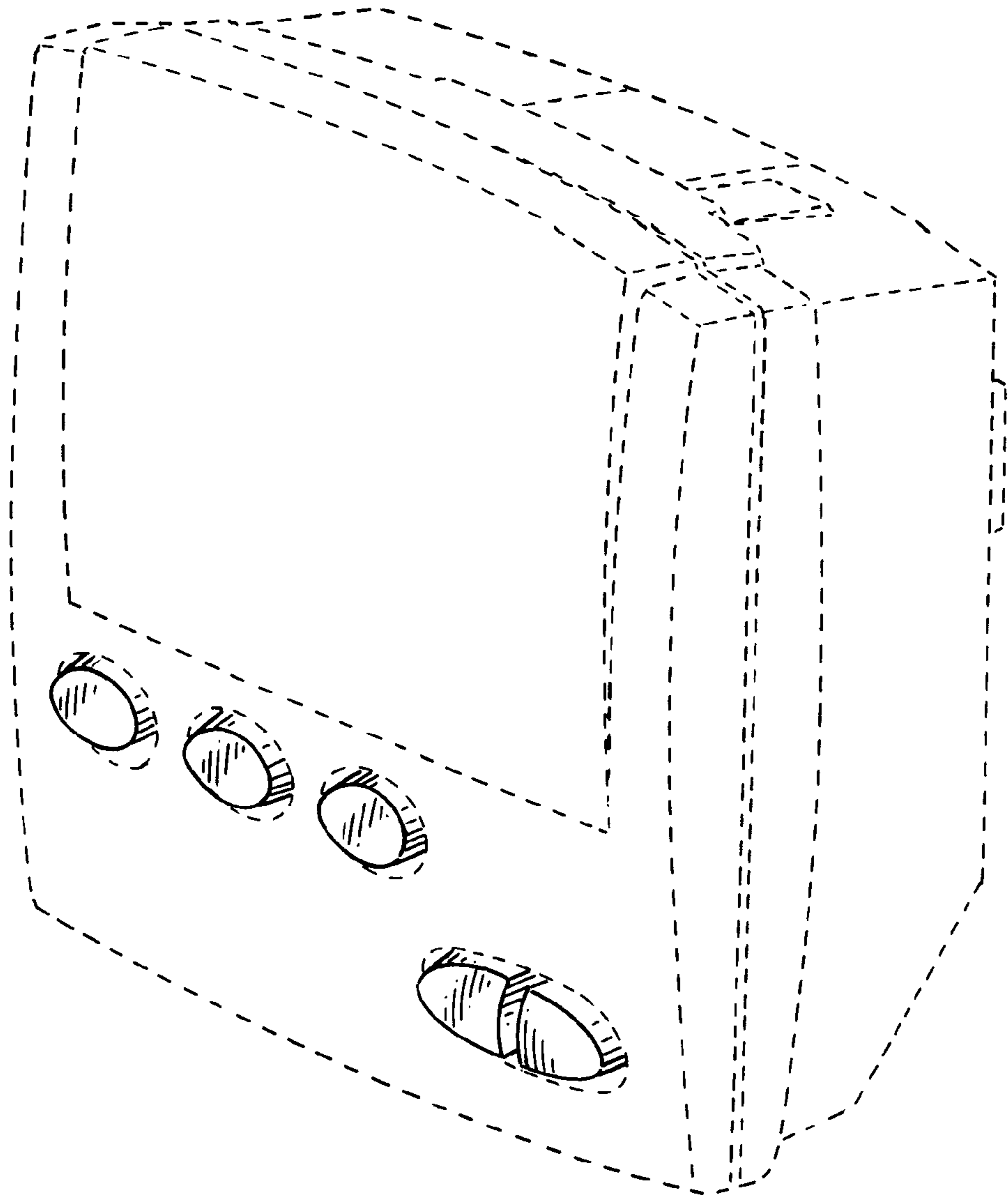


FIG. 1

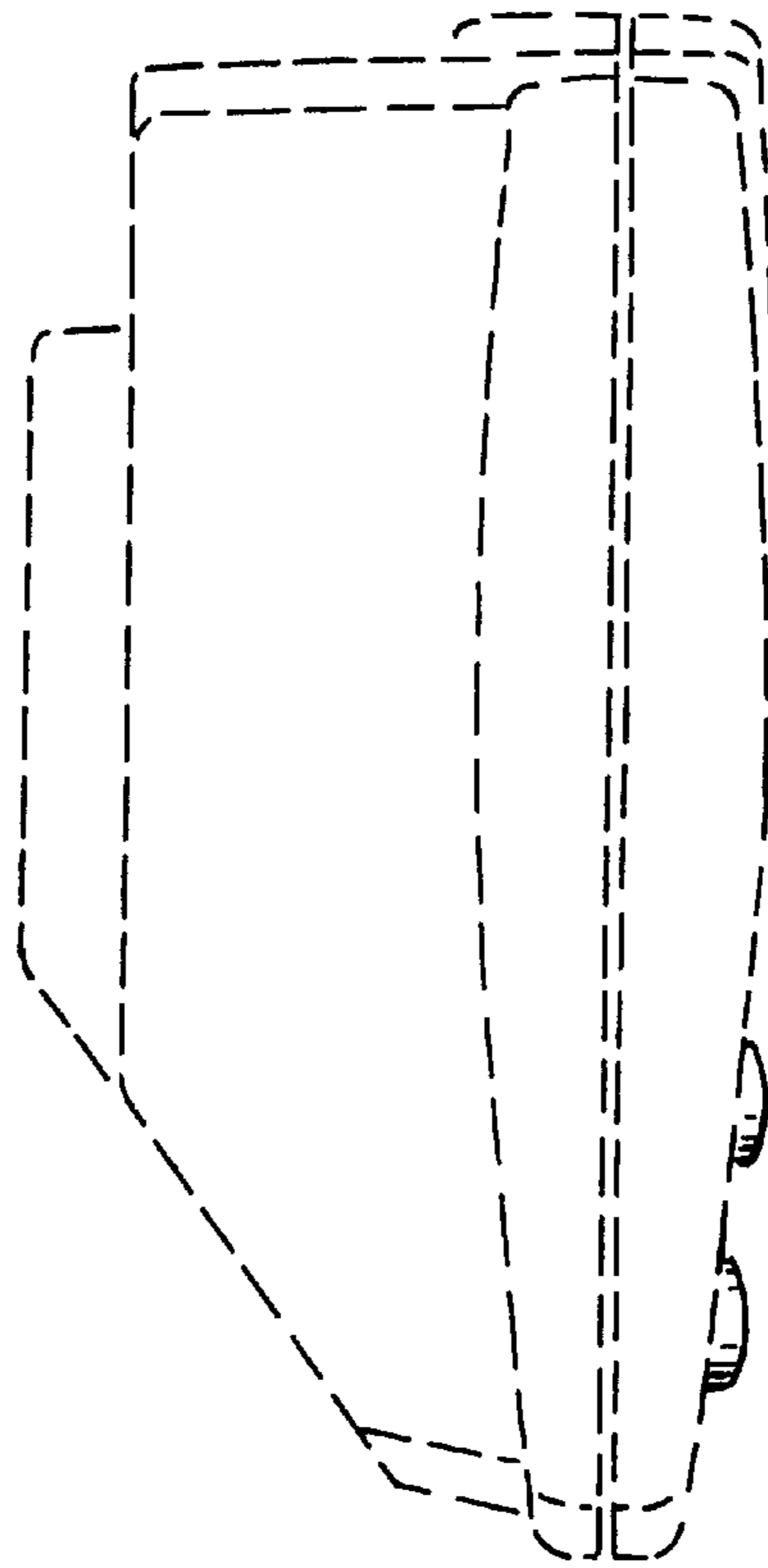


FIG. 2

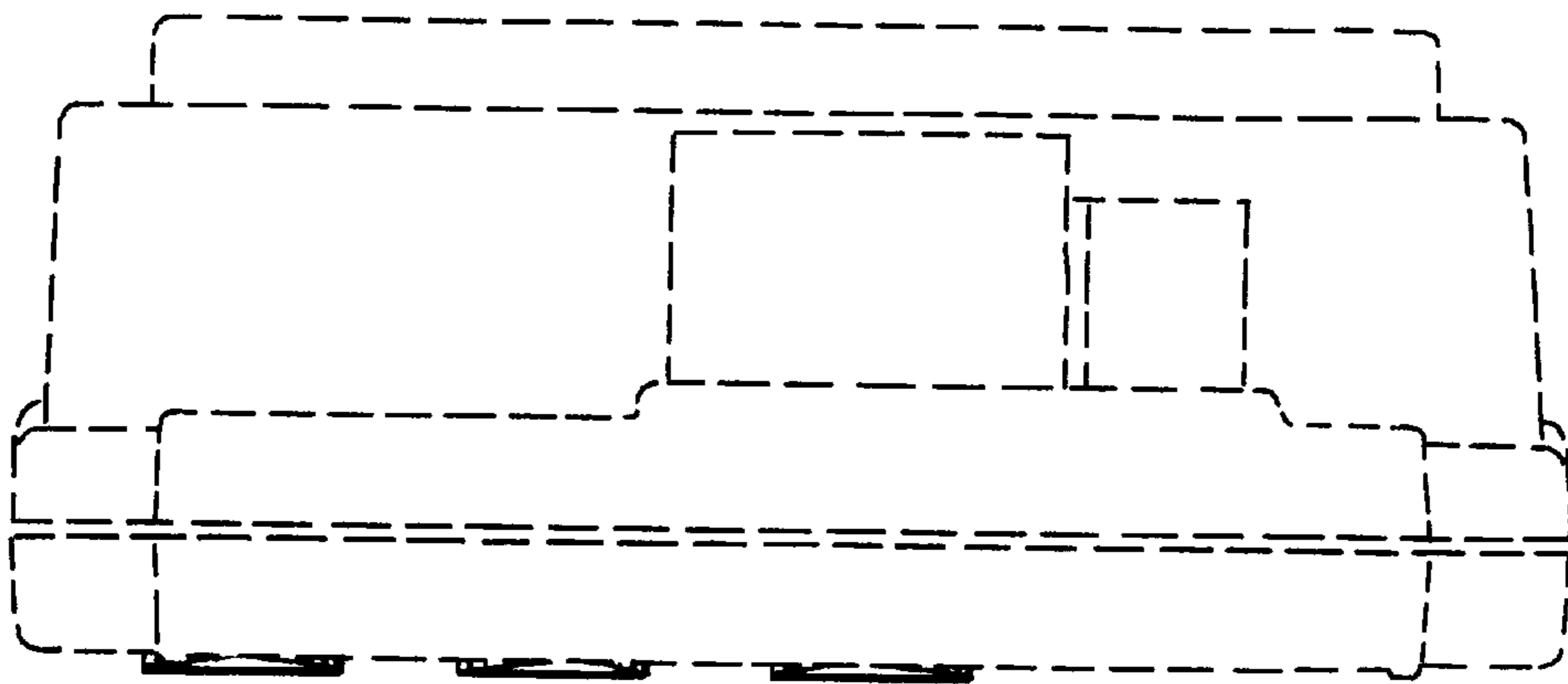


FIG. 3

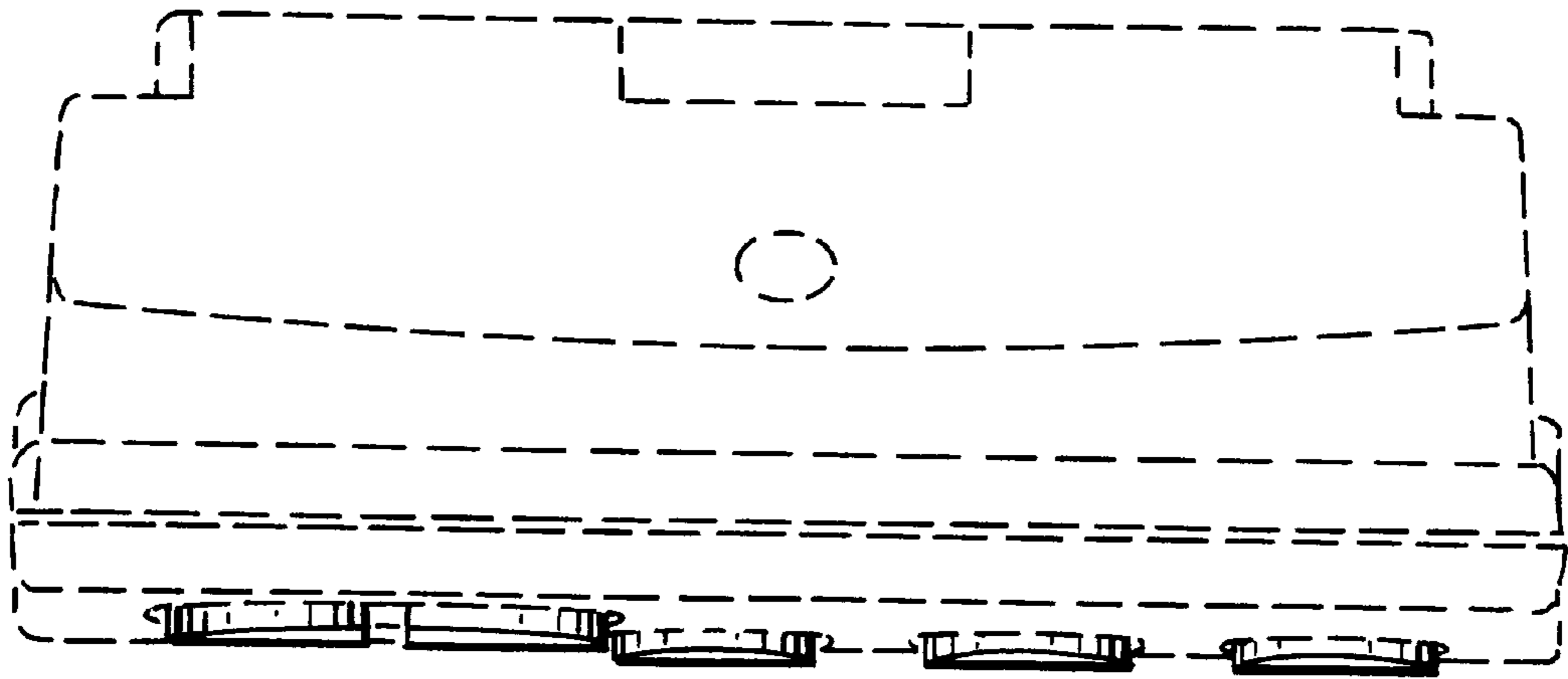


FIG. 4