



US00D420661S

United States Patent [19]
Shintani et al.

[11] **Patent Number: Des. 420,661**
[45] **Date of Patent: ** Feb. 15, 2000**

[54] **AUDIO PROCESSING DEVICE**
[75] Inventors: **Eiji Shintani; Hisanori Narita**, both of Tokyo, Japan
[73] Assignee: **Sony Corporation**, Tokyo, Japan
[**] Term: **14 Years**
[21] Appl. No.: **29/076,463**
[22] Filed: **Sep. 11, 1997**
[51] **LOC (7) Cl.** **14-02**
[52] **U.S. Cl.** **D14/124**
[58] **Field of Search** D14/124, 125, D14/120, 133, 135, 217; D21/324, 333; 345/905; 359/109; 352/242, 37, 34, 35, 1, 8, 12, 3

D. 399,840 10/1998 Curbun et al. D14/124
2,502,011 3/1950 Kendall et al. 352/34
3,375,054 3/1968 Hughes 352/242 X
4,320,942 3/1982 Bauer 352/242
4,673,267 6/1987 Erxleben 352/242

OTHER PUBLICATIONS

“SDP-E800”, Sony Electronics Inc., Jan., 1997.

Primary Examiner—Prabhakar Deshmukh
Attorney, Agent, or Firm—Foley & Lardner

CLAIM

[57] The ornamental design for an audio processing device, as shown and described.

DESCRIPTION

FIG. 1 is a perspective view of an audio processing device showing our new design;
FIG. 2 is a top plan view thereof;
FIG. 3 is a left side elevational view thereof;
FIG. 4 is a front elevational view thereof;
FIG. 5 is a bottom plan view thereof;
FIG. 6 is a right side elevational view thereof; and,
FIG. 7 is a rear elevational view thereof.

1 Claim, 3 Drawing Sheets

[56] **References Cited**
U.S. PATENT DOCUMENTS
D. 328,073 7/1992 Yamakawa D14/217 X
D. 366,871 2/1996 Richardson et al. D14/124
D. 373,582 9/1996 Hasegawa D14/124
D. 378,677 4/1997 Matsumoto et al. D14/124
D. 395,652 6/1998 Grimm et al. D14/124

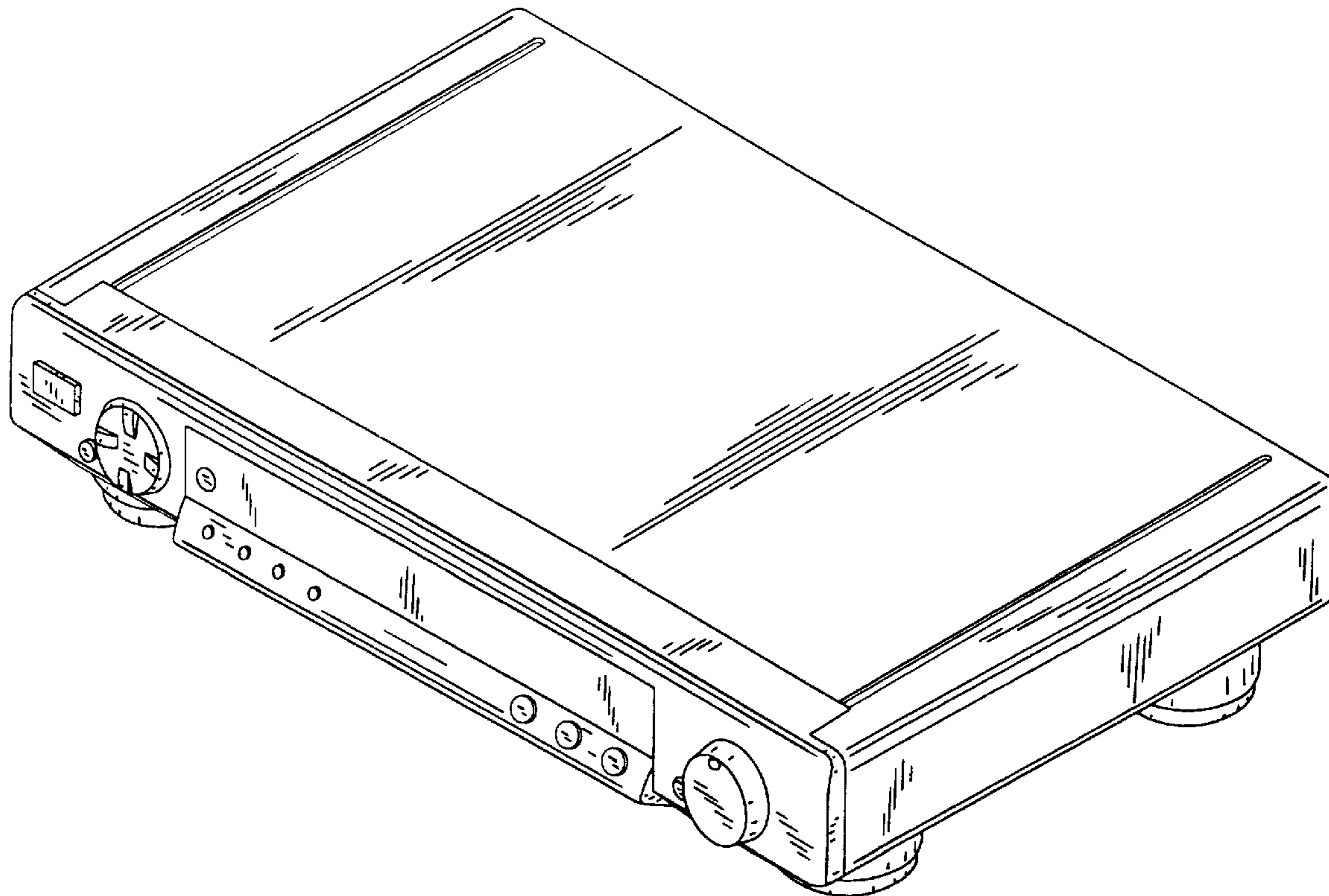


FIG. 1

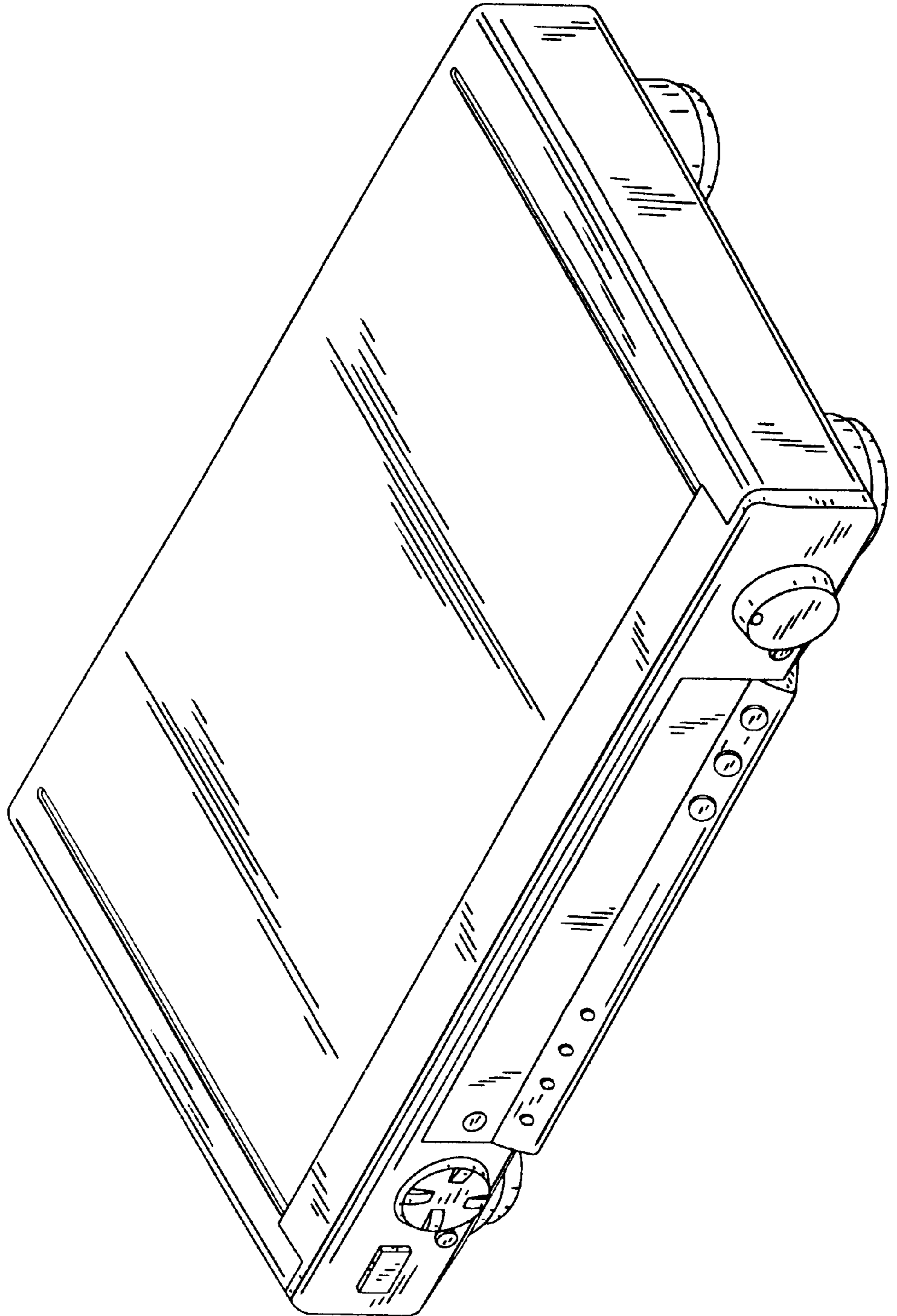


FIG. 2

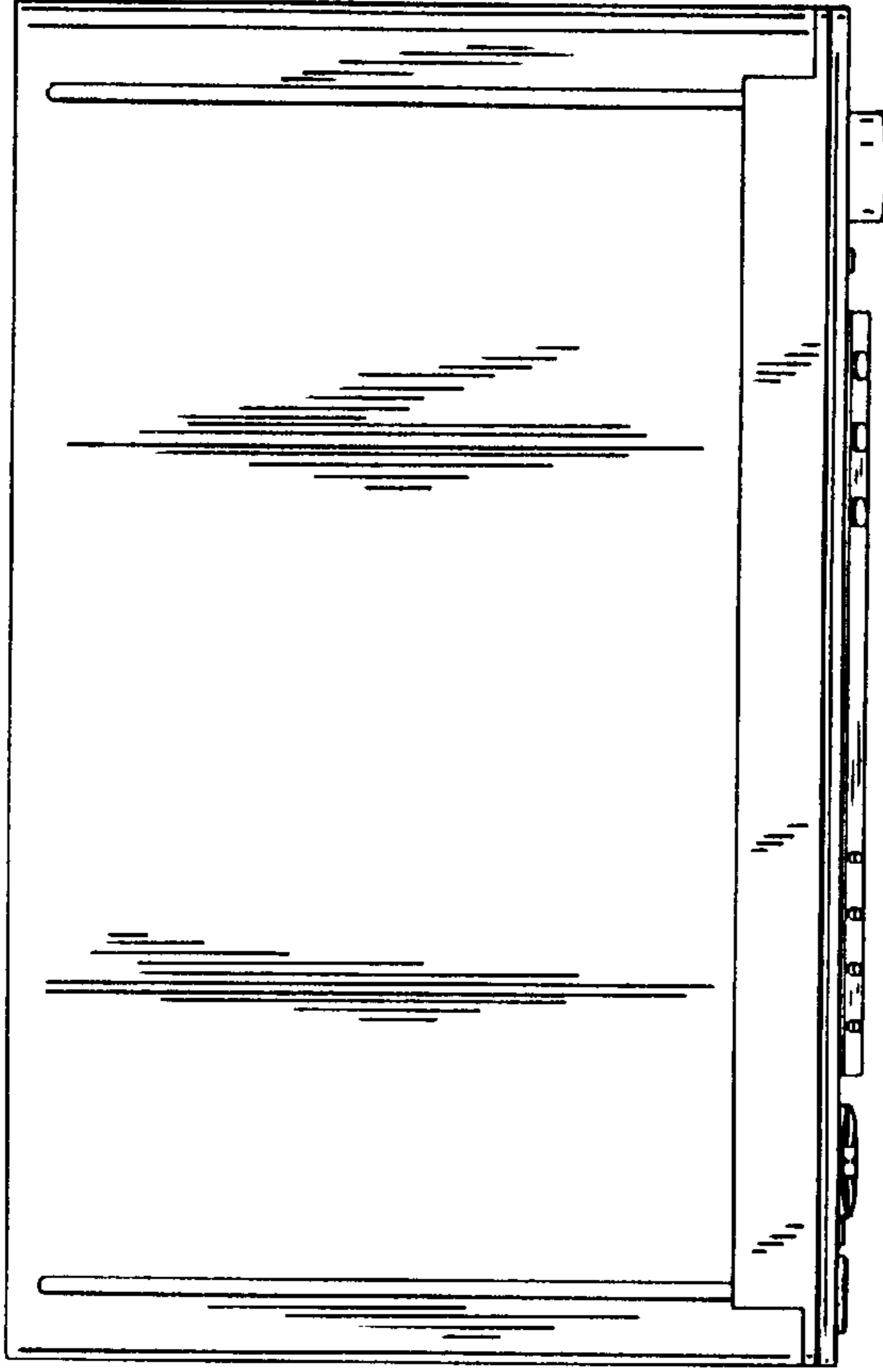


FIG. 3

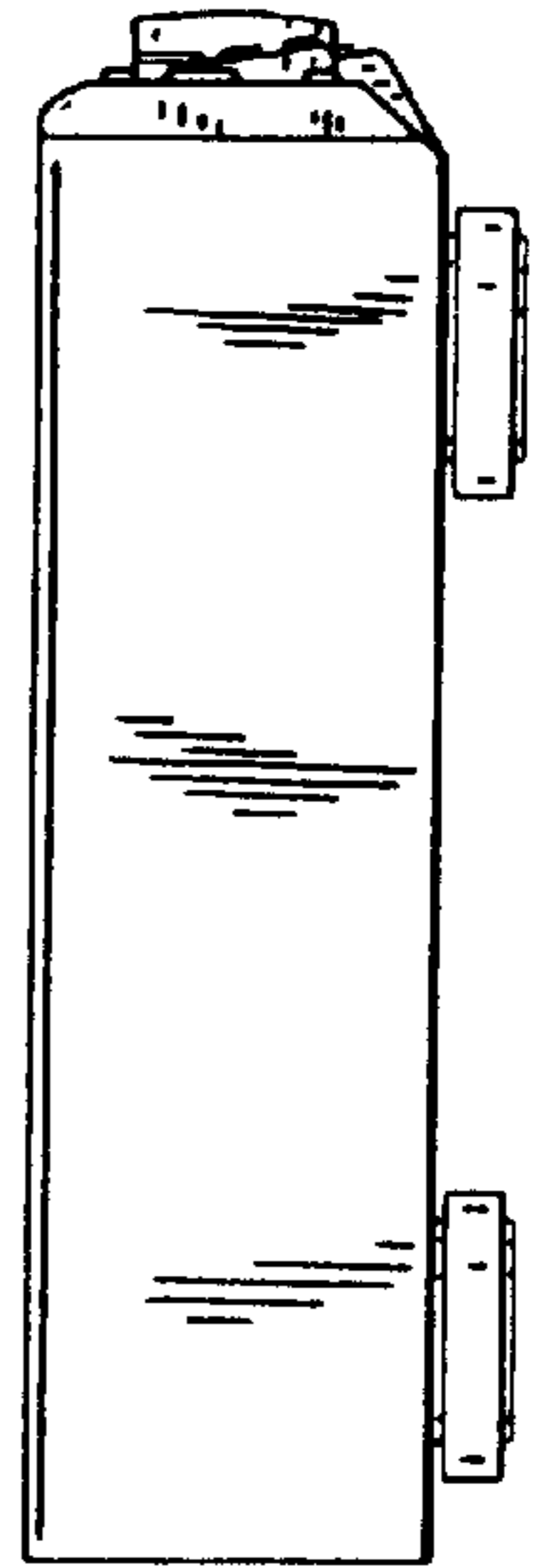


FIG. 4

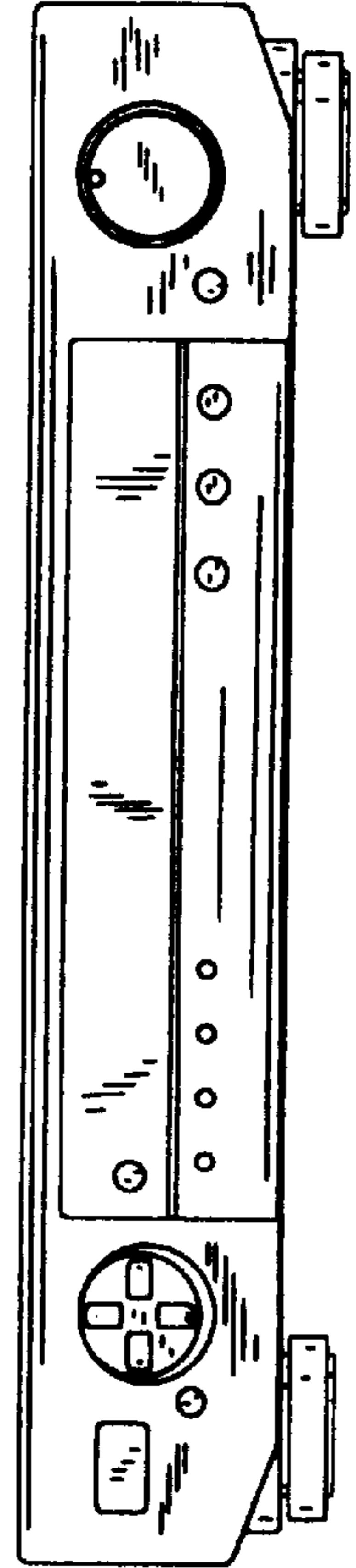


FIG. 5

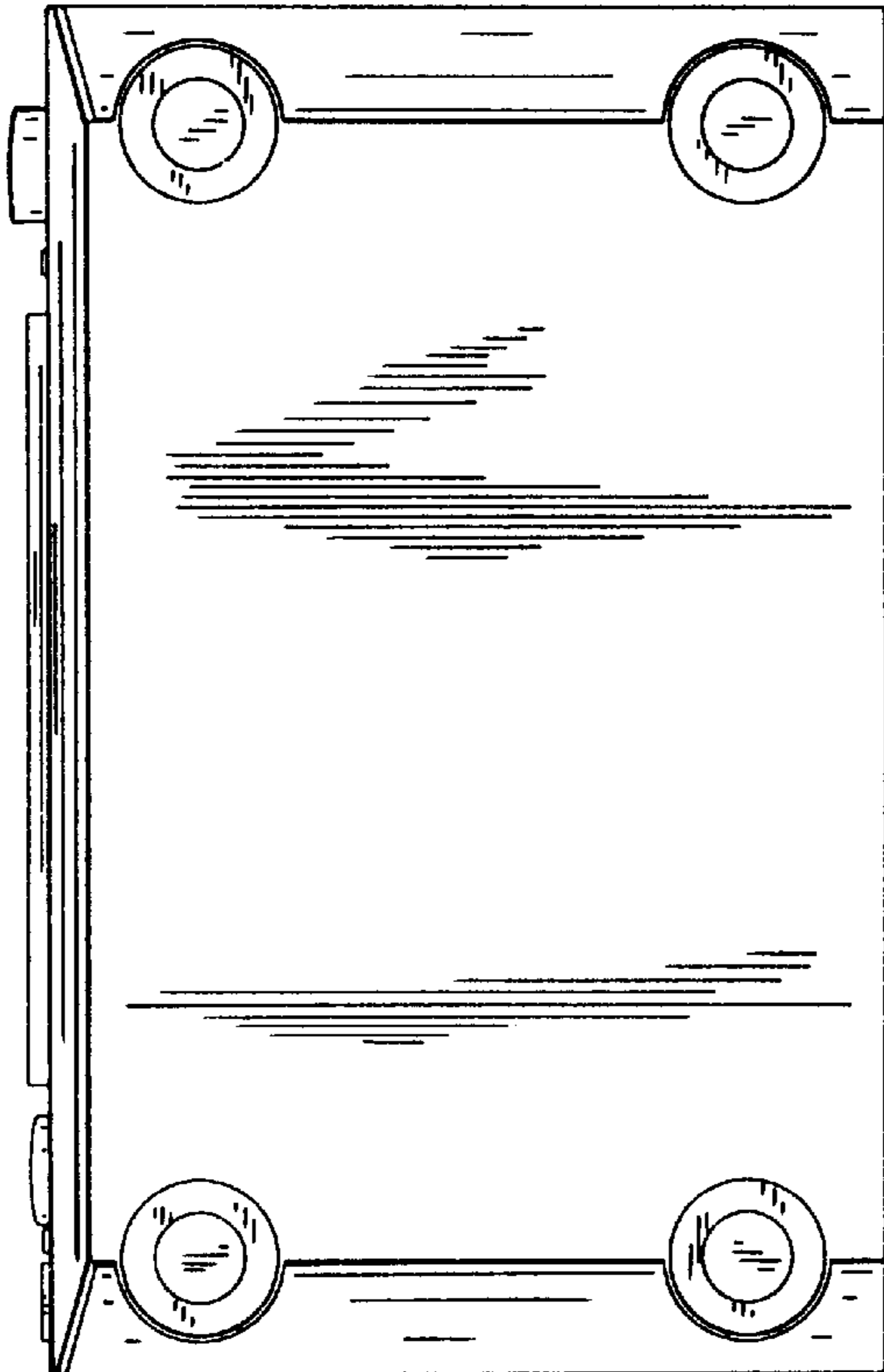


FIG. 7

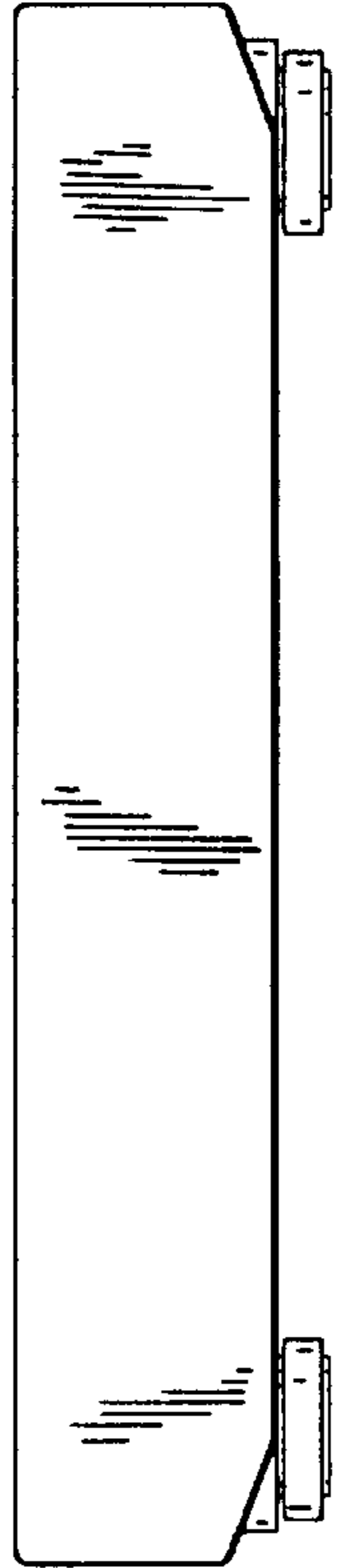


FIG. 6

