



US00D420658S

United States Patent [19]
Eyler

[11] **Patent Number: Des. 420,658**

[45] **Date of Patent: ** Feb. 15, 2000**

[54] **ELECTRONIC CARD READER CLEANING CARD**

[75] Inventor: **Stanley H. Eyler**, Simi Valley, Calif.

[73] Assignee: **Clean Team Co.**, San Diego, Calif.

[**] Term: **14 Years**

[21] Appl. No.: **29/047,274**

[22] Filed: **Nov. 30, 1995**

[51] **LOC (7) Cl.** **14-02**

[52] **U.S. Cl.** **D14/117**

[58] **Field of Search** D14/100, 114,
D14/117; D21/51, 108; D19/59; 360/99.01,
99.05, 99.12, 133; 361/680, 685, 686, 737,
767; D28/64

[56] **References Cited**

U.S. PATENT DOCUMENTS

D. 276,942 12/1984 Crews D28/64
4,980,785 12/1990 Talmadge D14/114 X

OTHER PUBLICATIONS

Symbol Source book © 1972 p. 187 Planned Parenthood
Symbol Bottom Right Corner.

Primary Examiner—Freda Nunn
Attorney, Agent, or Firm—Loeb & Loeb LLP; F. Jason
Far-hadian

[57] **CLAIM**

The ornamental design for an electronic card reader cleaning card, as shown and described.

DESCRIPTION

FIG. 1 is a top plan view of the electronic card reader

cleaning card showing my new design, the bottom plan view being a mirror image thereof;

FIG. 2 is a right side elevational view thereof;

FIG. 3 is a left side elevational view thereof;

FIG. 4 is a front end view thereof;

FIG. 5 is a rear end view thereof;

FIG. 6 is a top plan view of a first alternative embodiment of the design of FIG. 1, the bottom plan view being a mirror image thereof;

FIG. 7 is a right side elevational view thereof;

FIG. 8 is a left side elevational view thereof;

FIG. 9 is a front end view thereof;

FIG. 10 is a rear end view thereof;

FIG. 11 is a top plan view of a second alternative embodiment of the design of FIG. 1, the bottom plan view being a mirror image thereof;

FIG. 12 is a right side elevational view thereof;

FIG. 13 is a left side elevational view thereof;

FIG. 14 is a front end view thereof;

FIG. 15 is a rear end view thereof; and,

FIG. 16 is an enlarged fragmentary view illustrating the surface configuration of the claimed design as shown within the dot dashed boundary lines represented by the legend 16 in FIGS. 1, 6, and 11.

1 Claim, 4 Drawing Sheets

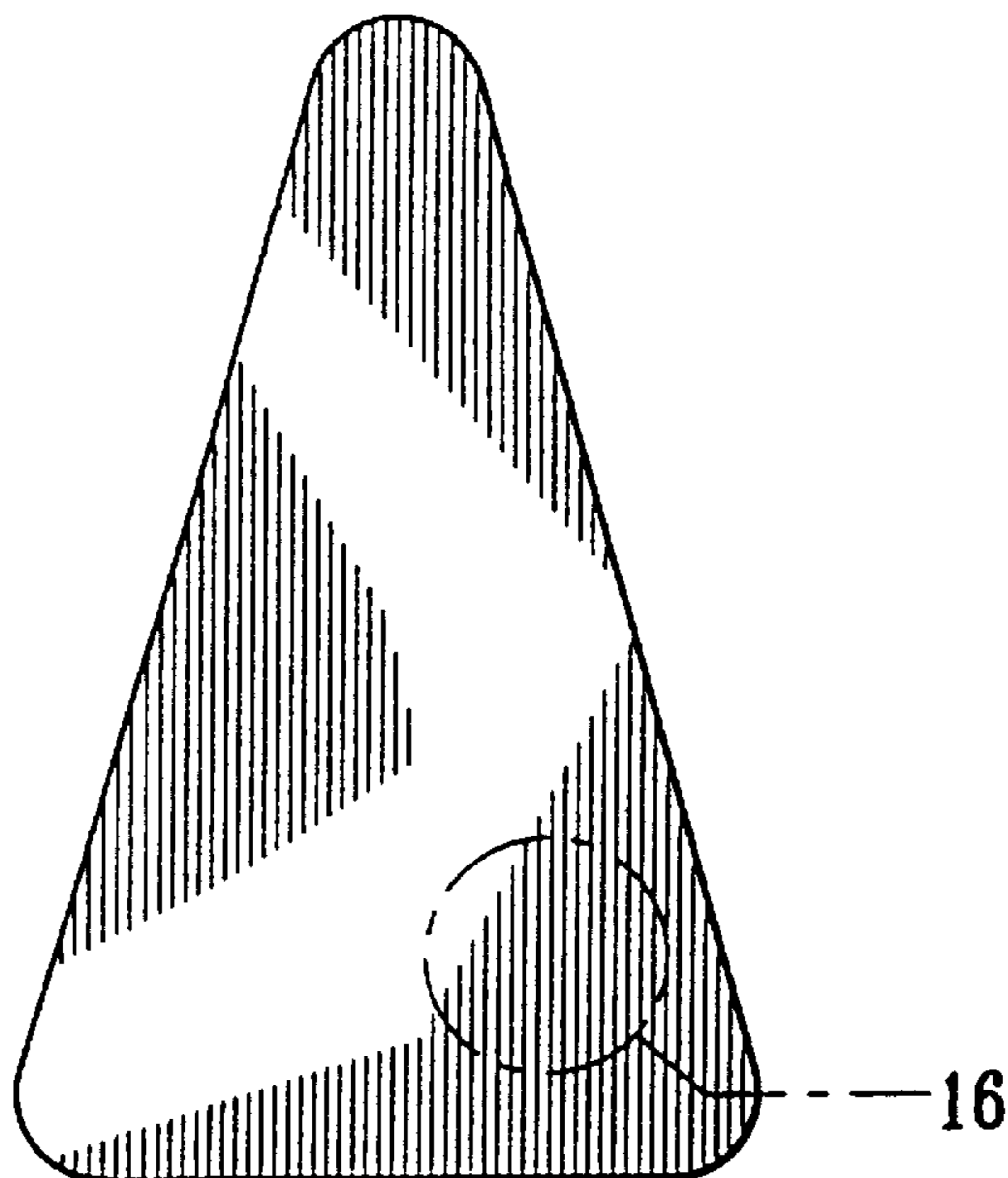


FIG. 1

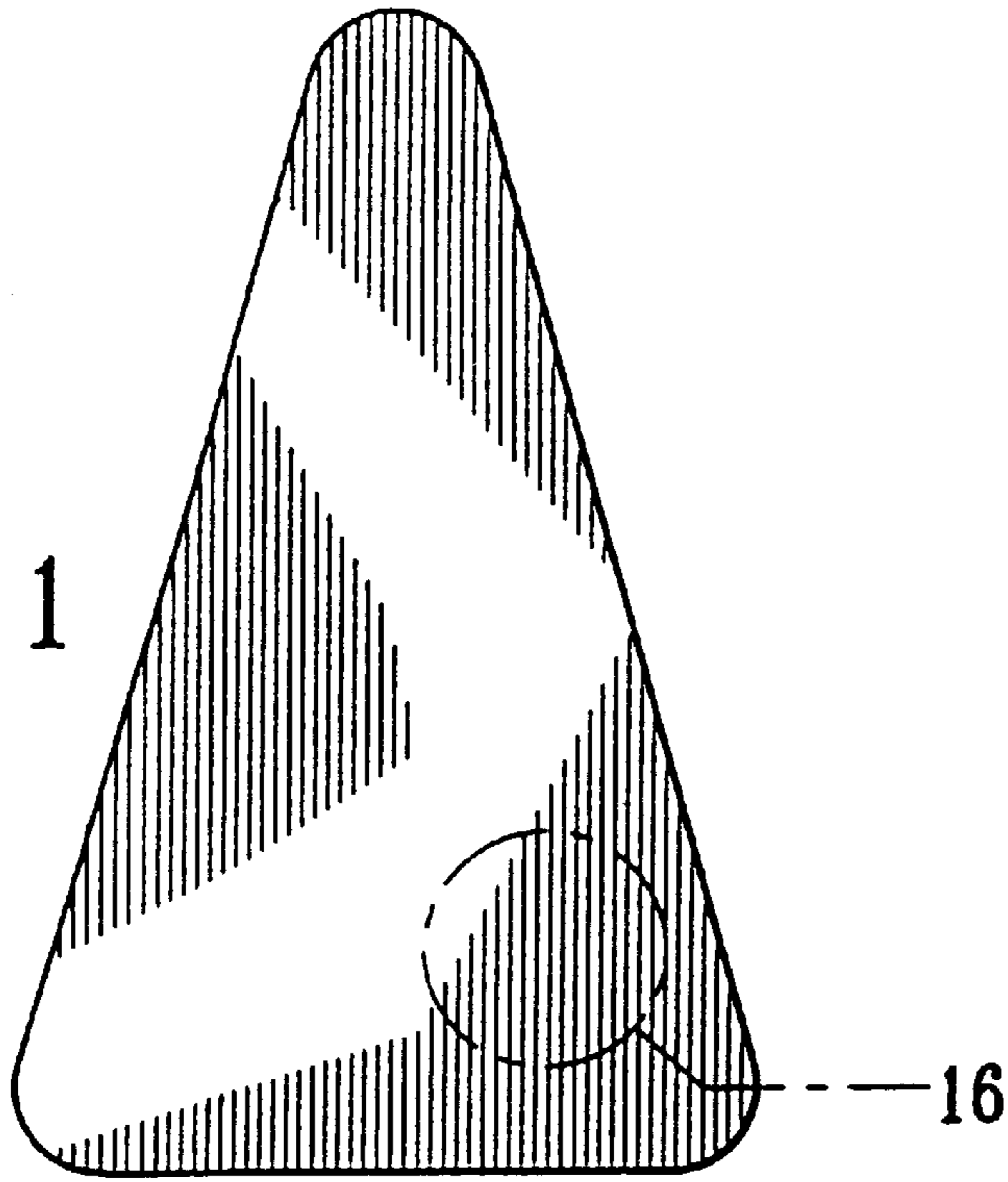


FIG. 2

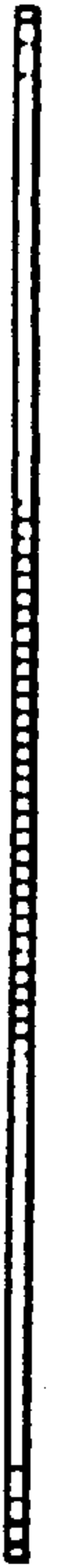


FIG. 4

FIG. 3



FIG. 5

FIG. 6

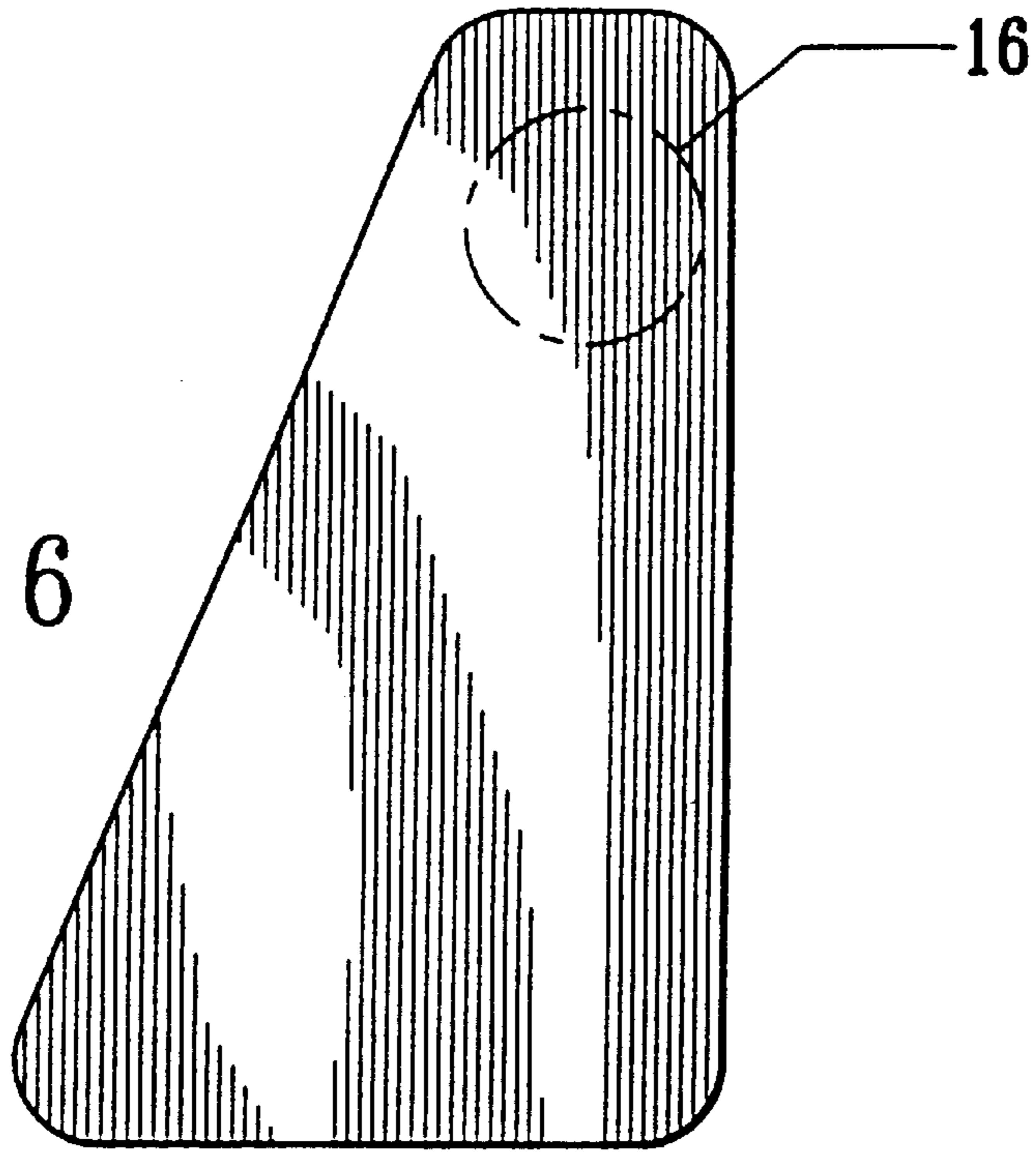


FIG. 7



FIG. 9

FIG. 8



FIG. 10

FIG. 11

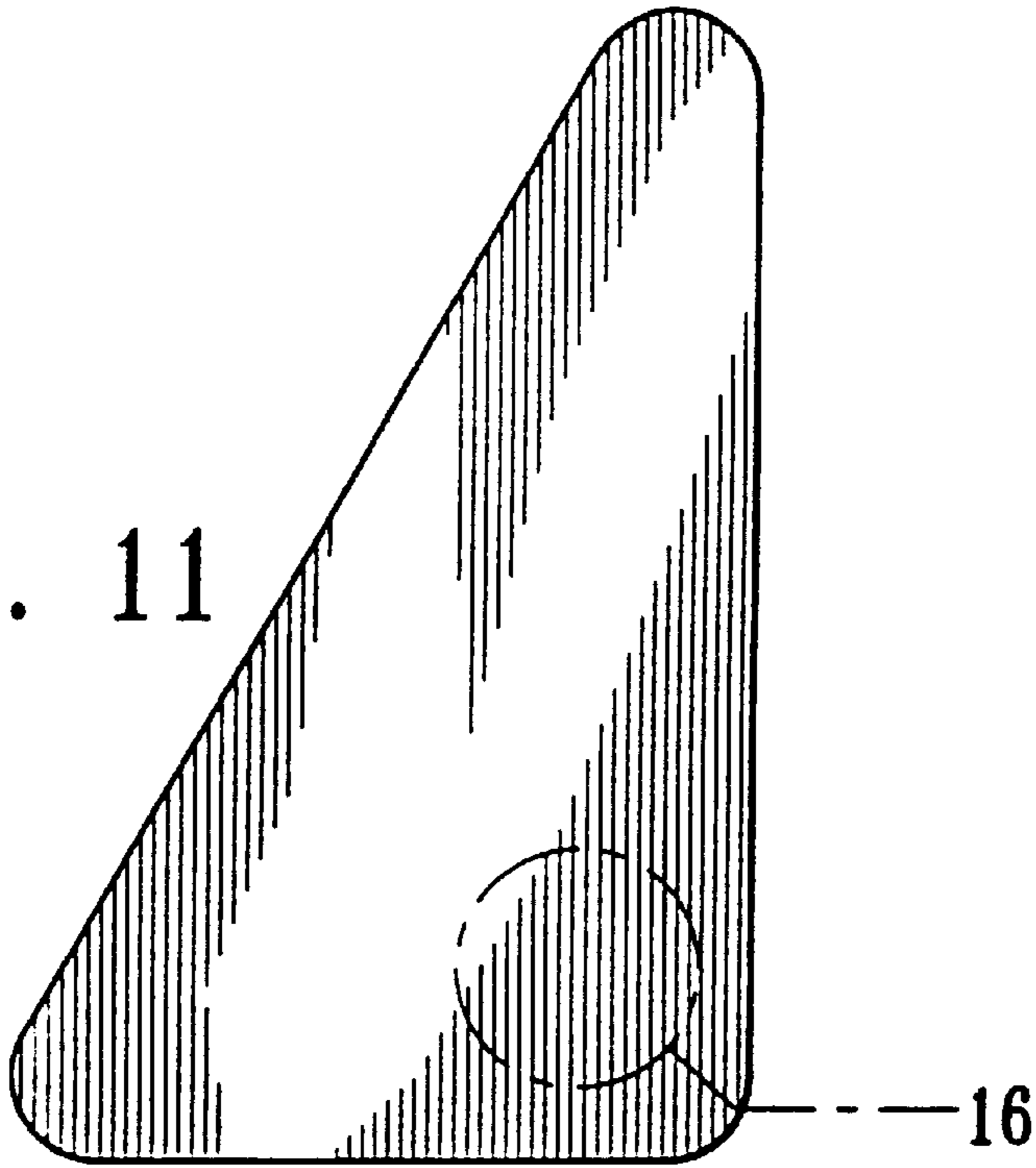


FIG. 12

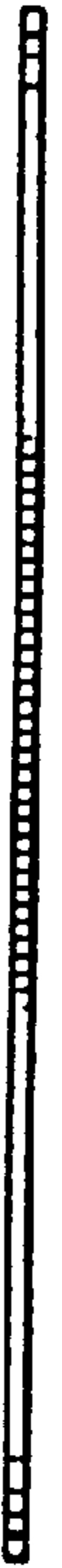


FIG. 14

FIG. 13

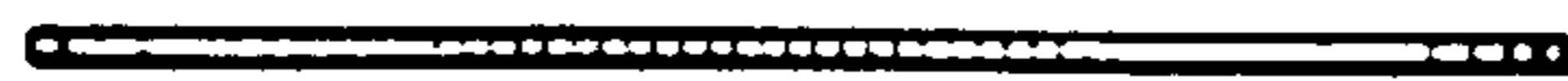


FIG. 15

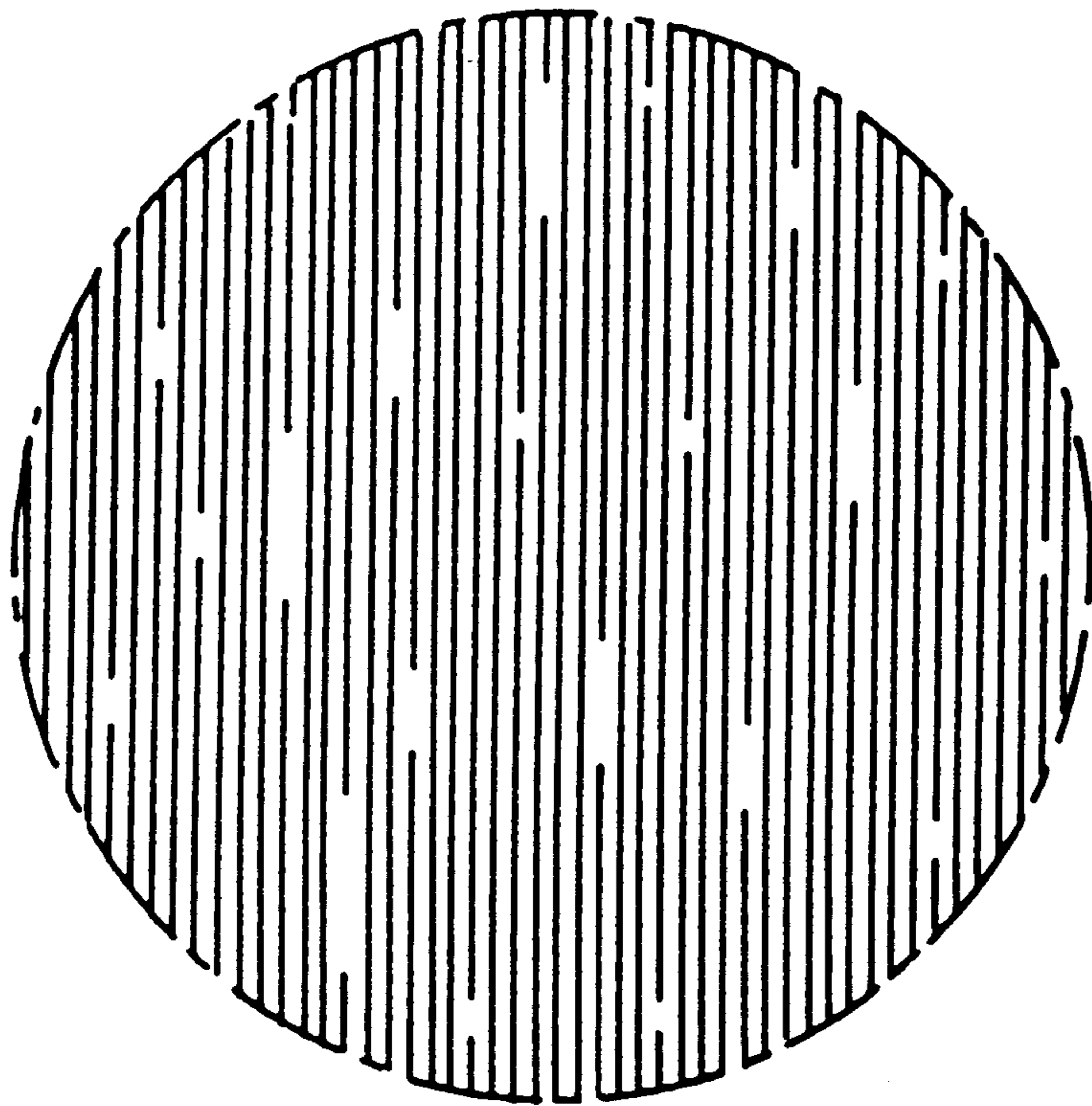


FIG. 16