



US00D420655S

# United States Patent [19]

[11] Patent Number: Des. 420,655

Louis et al.

[45] Date of Patent: \*\* Feb. 15, 2000

## [54] FOLDING KEYBOARD

[75] Inventors: **William M. Louis; Constance M. Louis**, both of Encinitas, Calif.

[73] Assignee: **Willow Design, Inc.**, Encinitas, Calif.

[\*\*] Term: **14 Years**

[21] Appl. No.: **29/084,206**

[22] Filed: **Feb. 26, 1998**

[51] LOC (7) Cl. .... **14-02**

[52] U.S. Cl. .... **D14/115**

[58] Field of Search ..... D14/100, 101, D14/106, 115; D18/1, 2, 7; 178/17 A, 17 C; 200/5 A, 5 R, 6 A, 6 R; 235/145 A, 145 R; 341/22, 23; 345/168, 160; 364/708.1; 400/484-486, 488, 489

## [56] References Cited

### U.S. PATENT DOCUMENTS

D. 338,000	8/1993	Aurigema	.....	D14/115
D. 340,043	10/1993	Louis	.....	D14/100
D. 386,172	11/1997	Kawauchi et al.	.....	D14/115
D. 389,822	1/1998	Kawauchi et al.	.....	D14/115

Primary Examiner—Freda Nunn

## [57] CLAIM

The ornamental design for a folding keyboard, as shown and described.

## DESCRIPTION

FIG. 1 is a top front side perspective view of the first embodiment of a folding keyboard showing our new design in the open position;

FIG. 2 is a top rear side perspective view of the first embodiment in the open position;

FIG. 3 is a top plan view of the first embodiment in the open position;

FIG. 4 is a front elevational view of the first embodiment in the open position;

FIG. 5 is a rear elevational view of the first embodiment in the open position;

FIG. 6 is a right side elevational view of the first embodiment in the open position;

FIG. 7 is a left side elevational view of the first embodiment in the open position;

FIG. 8 is a top front side perspective view of the first embodiment in the folded position;

FIG. 9 is a top rear side perspective view of the first embodiment in the folded position;

FIG. 10 is a top plan view of the first embodiment in the folded position;

FIG. 11 is a front elevational view of the first embodiment in the folded position;

FIG. 12 is a rear elevational view of the first embodiment in the folded position;

FIG. 13 is a right side elevational view of the first embodiment in the folded position;

FIG. 14 is a left side elevational view of the first embodiment in the folded position;

FIG. 15 is a top front side perspective view of the second embodiment in the open position;

FIG. 16 is a top rear side perspective view of the second embodiment in the open position;

FIG. 17 is a top plan view of the second embodiment in the open position;

FIG. 18 is a front elevational view of the second embodiment in the open position;

FIG. 19 is a rear elevational view of the second embodiment in the open position;

FIG. 20 is a right side elevational view of the second embodiment in the open position;

FIG. 21 is a left side elevational view of the second embodiment in the open position;

FIG. 22 is a top front side perspective view of the second embodiment in the folded position;

FIG. 23 is a top rear side perspective view of the second embodiment in the folded position;

FIG. 24 is a top plan view of the second embodiment in the folded position;

FIG. 25 is a front elevational view of the second embodiment in the folded position;

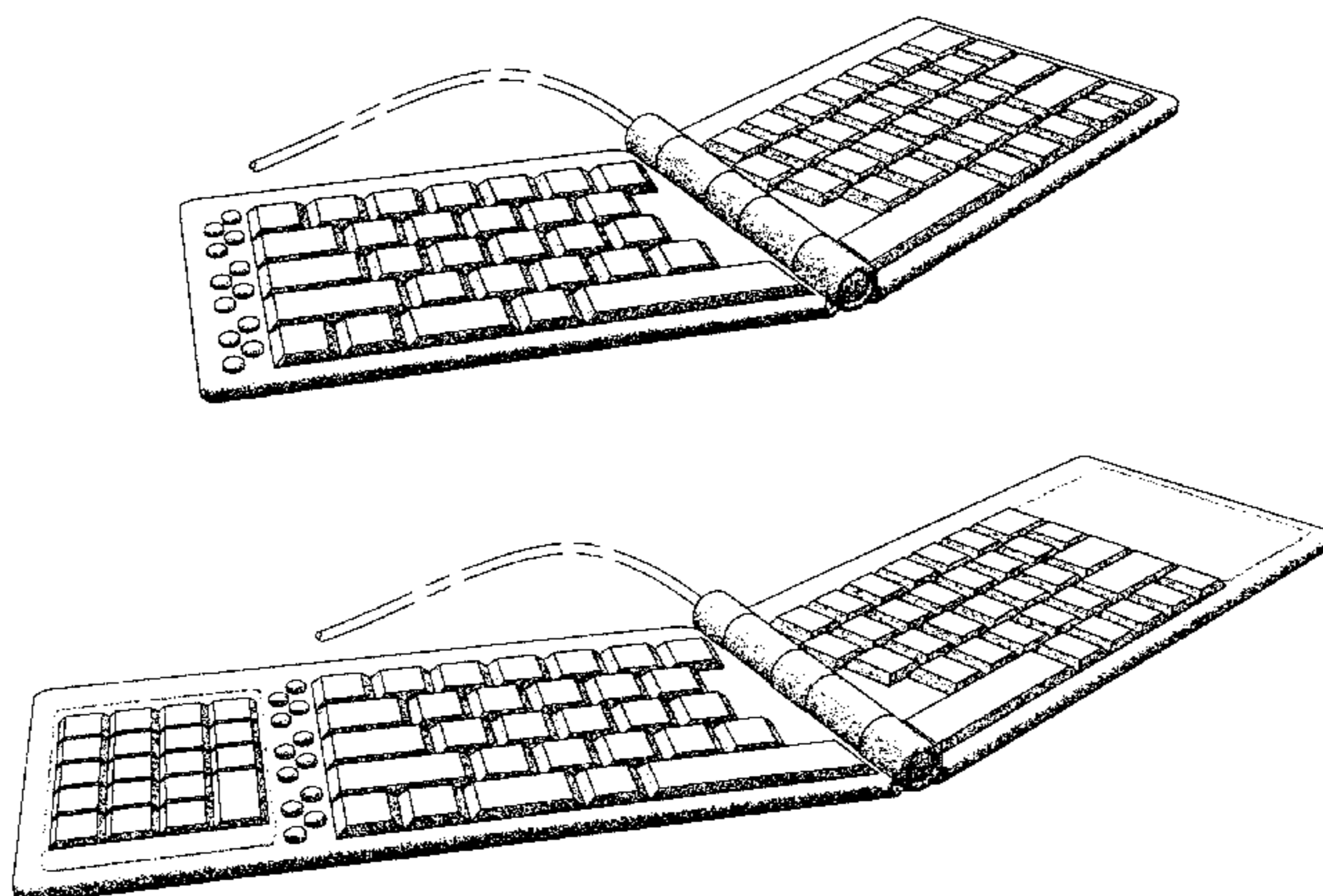
FIG. 26 is a rear elevational view of the second embodiment in the folded position;

FIG. 27 is a right side elevational view of the second embodiment in the folded position;

FIG. 28 is a left side elevational view of the second embodiment in the folded position.

The broken lines are shown in the views for illustrative purposes only and form no part of the claimed design.

1 Claim, 8 Drawing Sheets



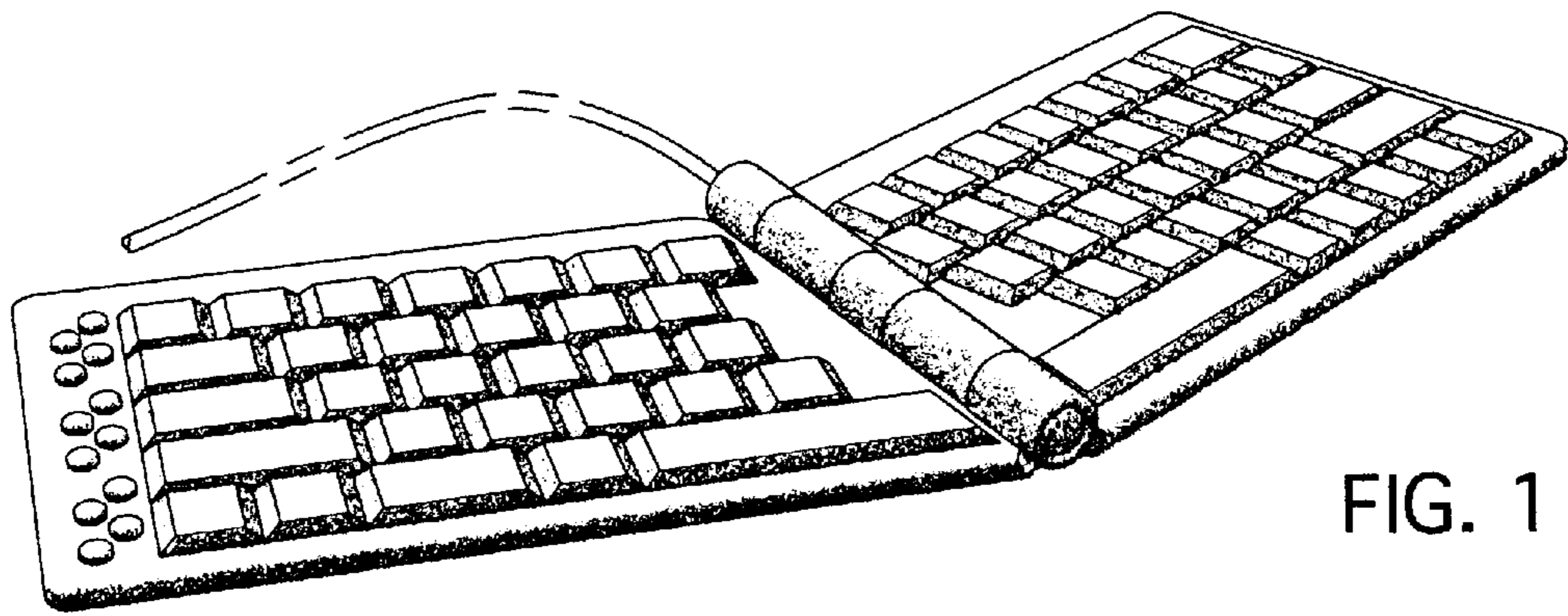


FIG. 1

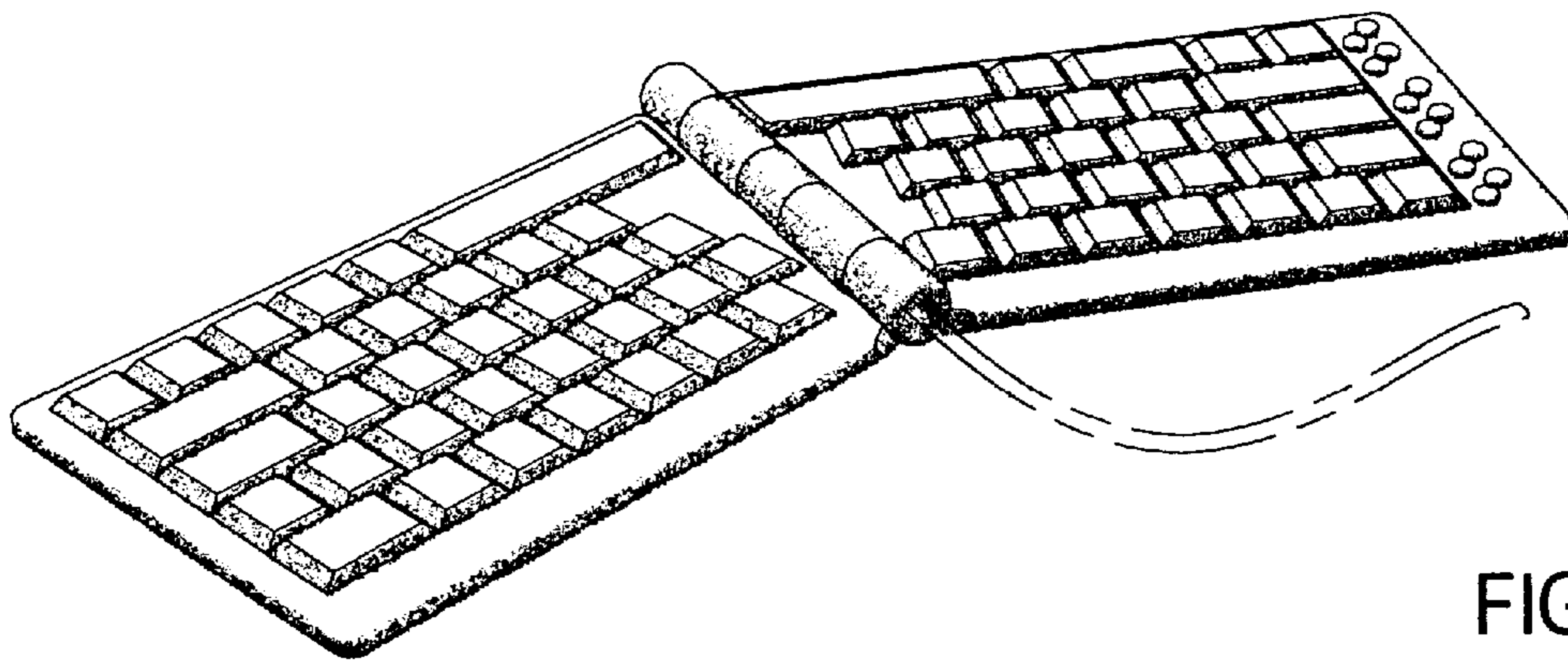


FIG. 2

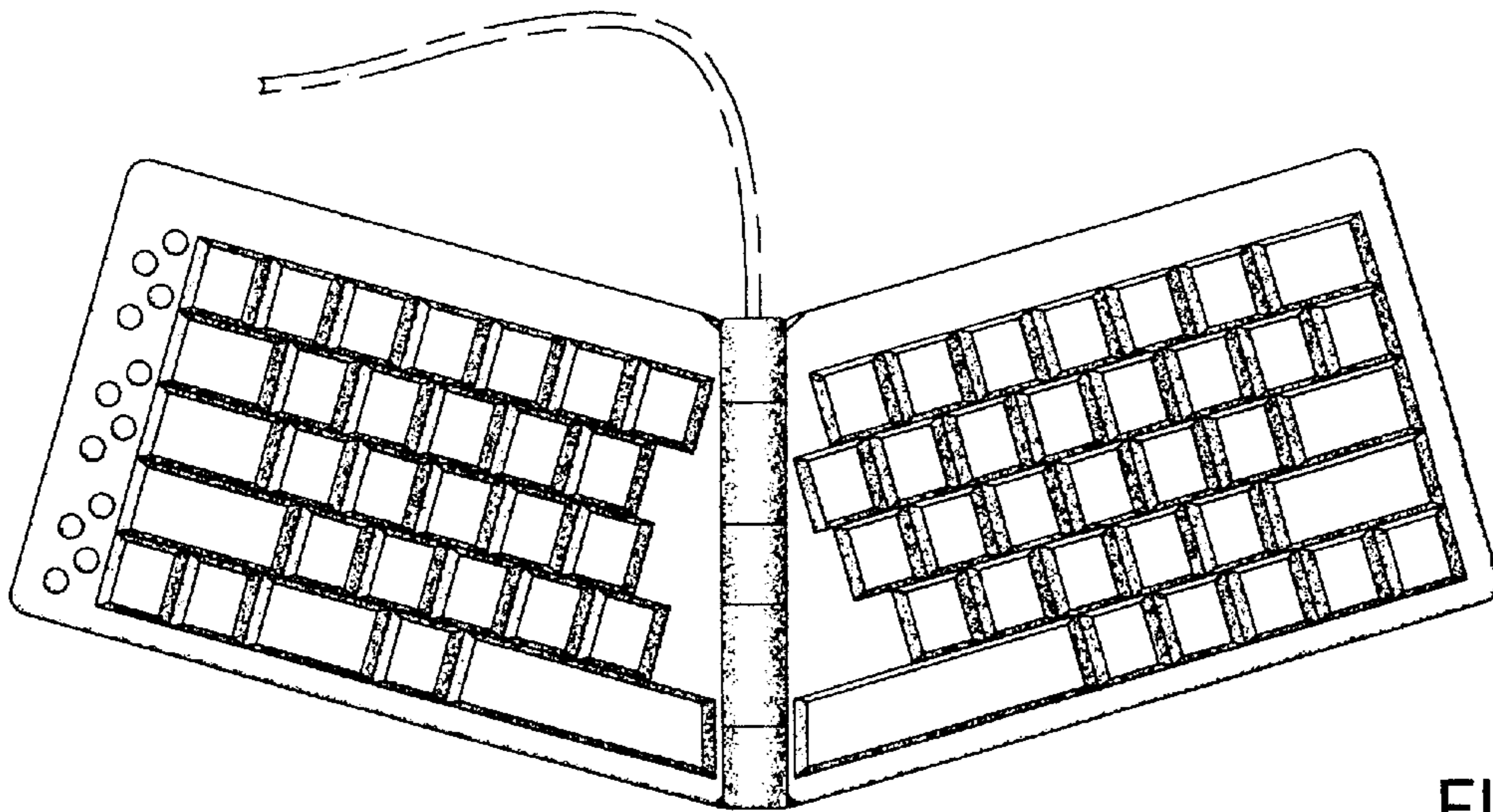


FIG. 3



FIG. 4



FIG. 5



FIG. 6

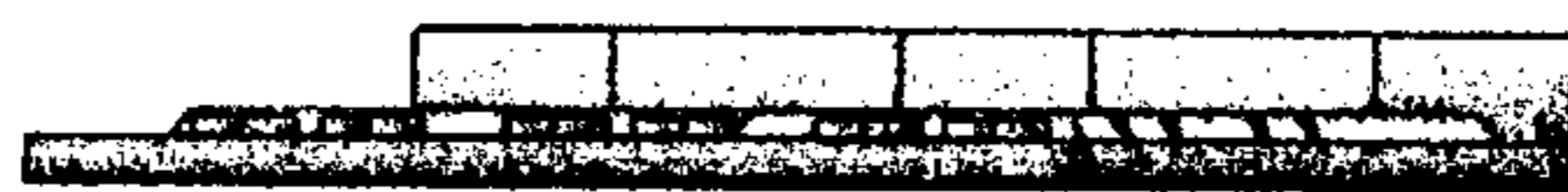


FIG. 7

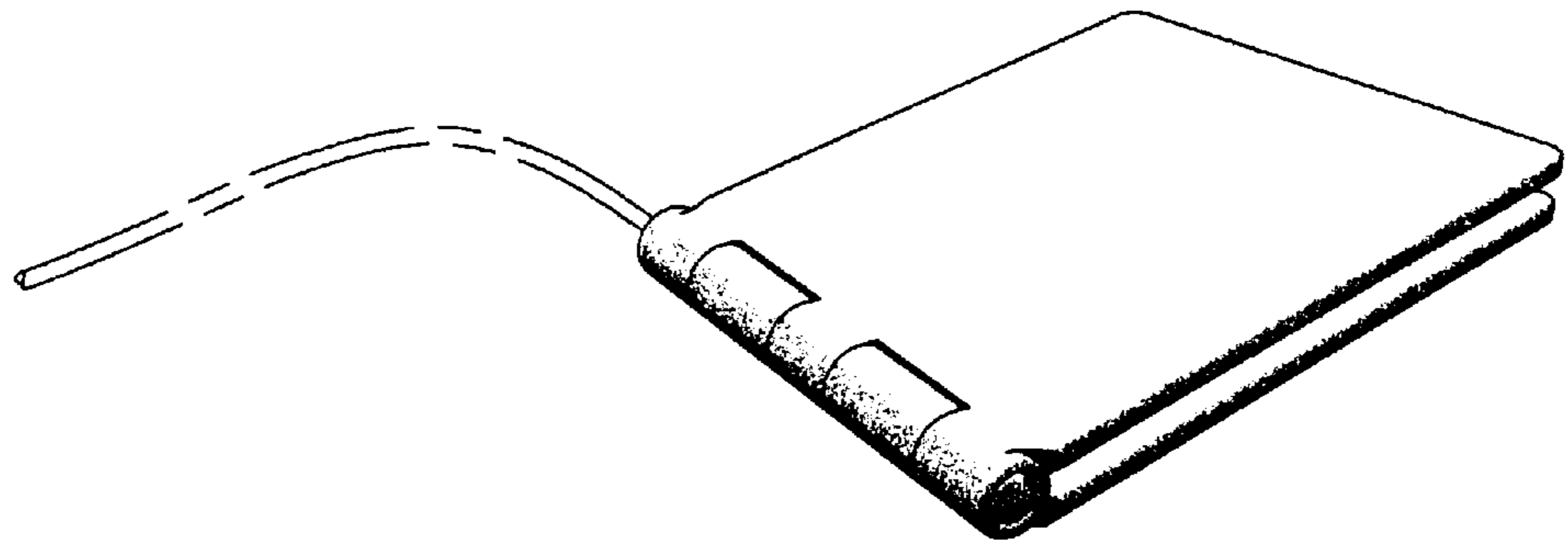


FIG. 8

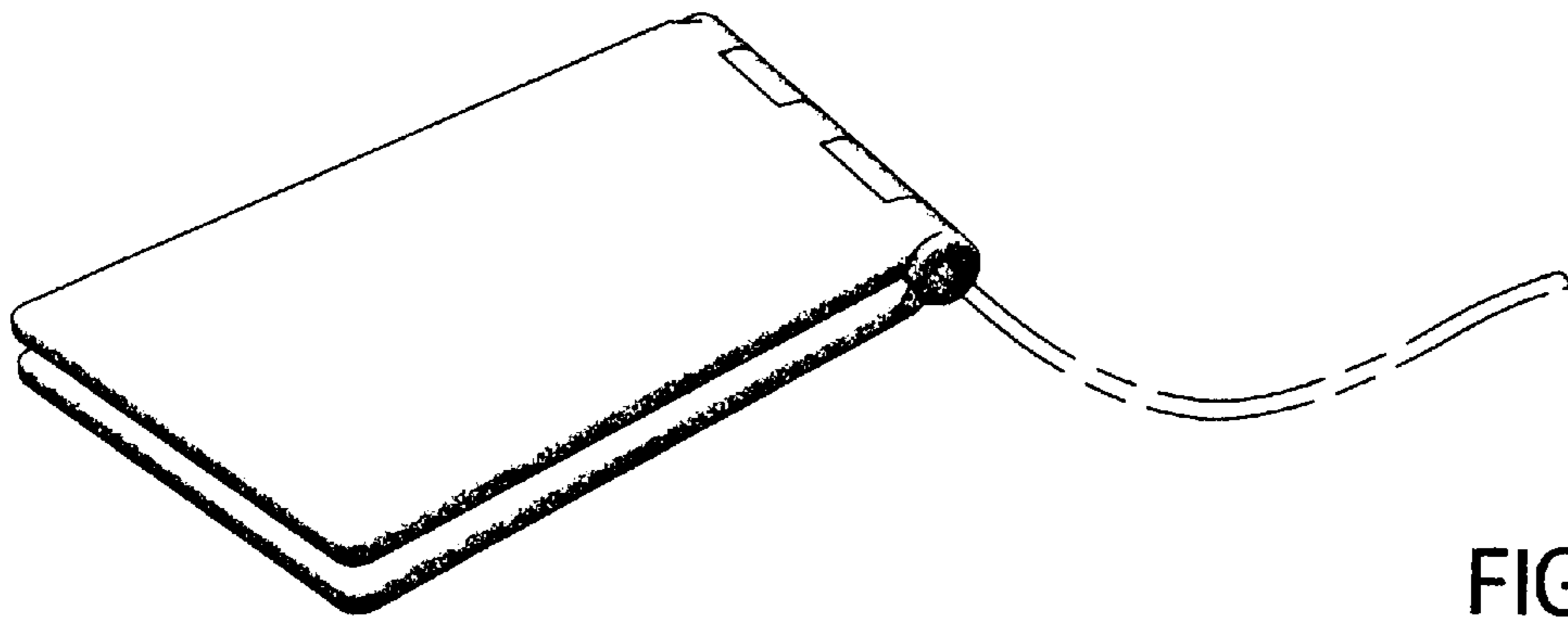


FIG. 9

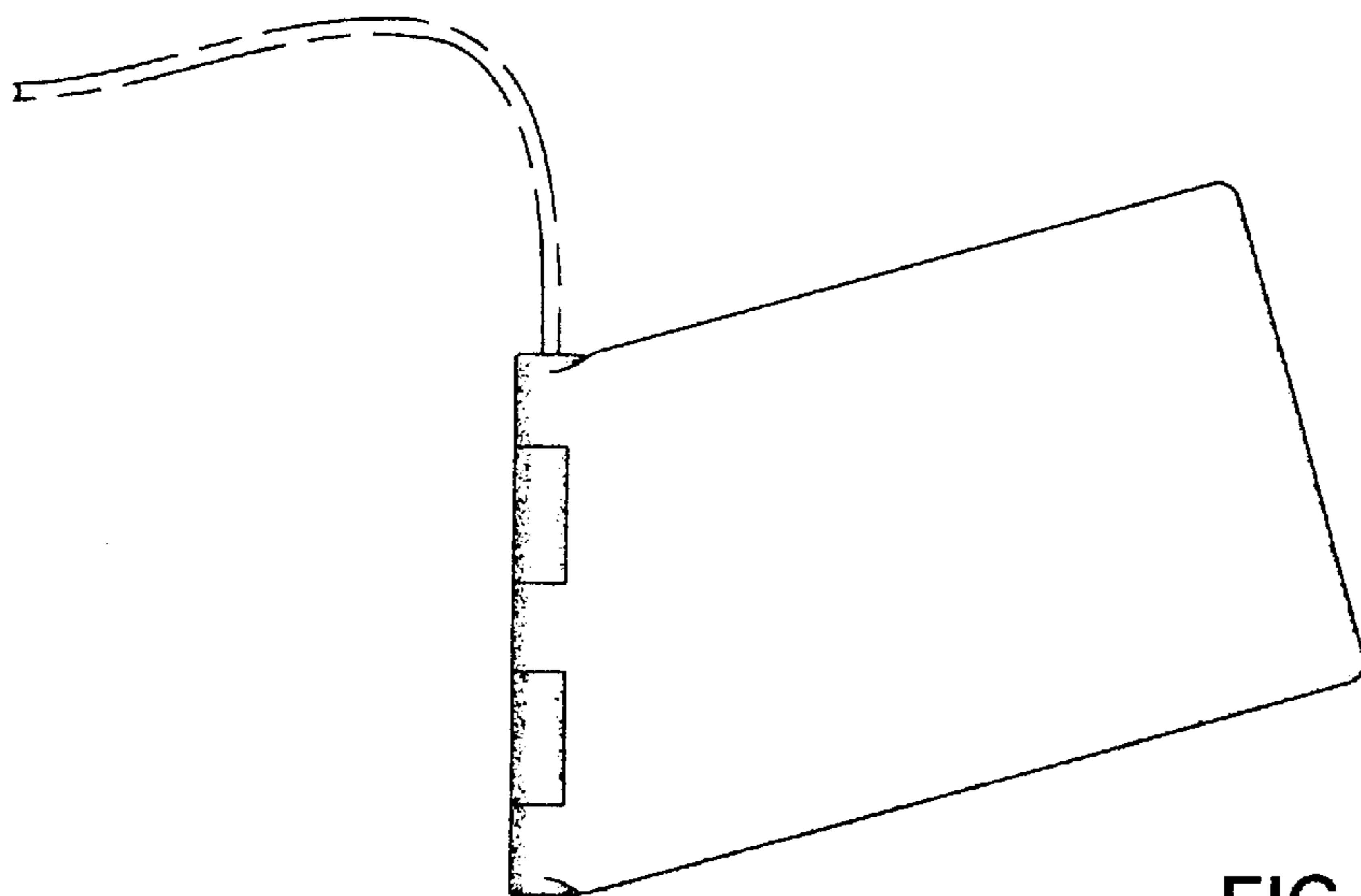


FIG. 10

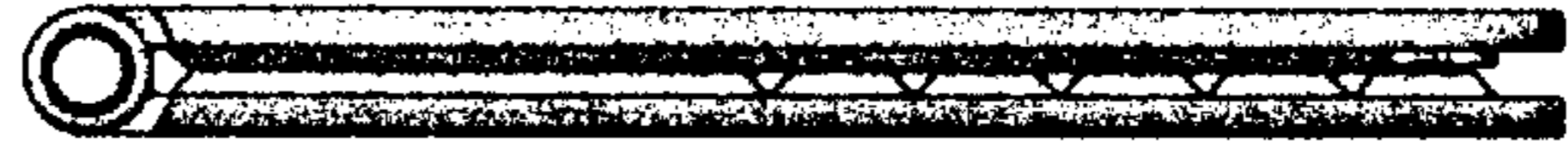


FIG. 11

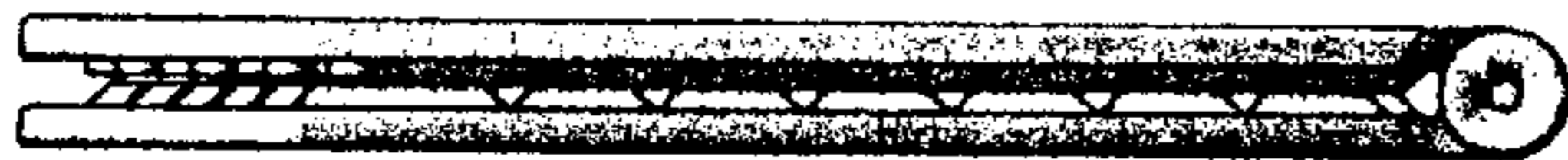


FIG. 12

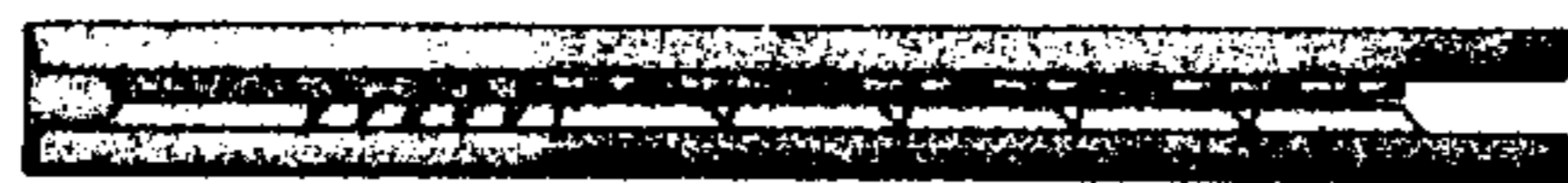


FIG. 13



FIG. 14

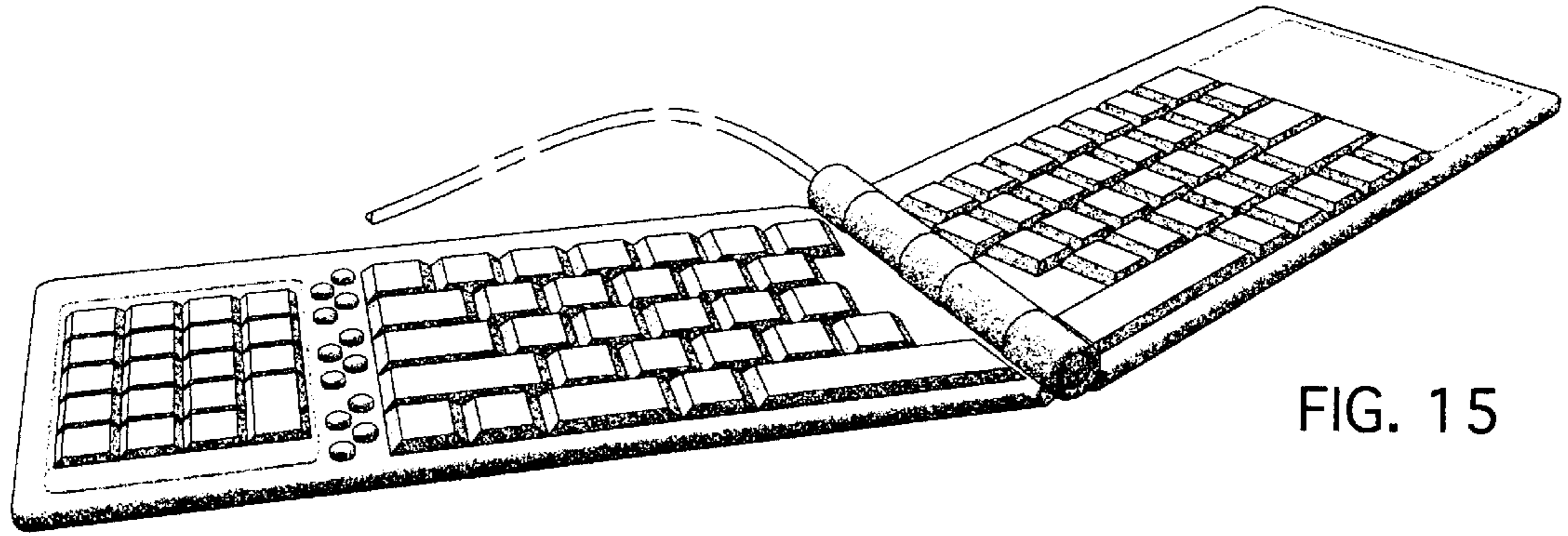


FIG. 15

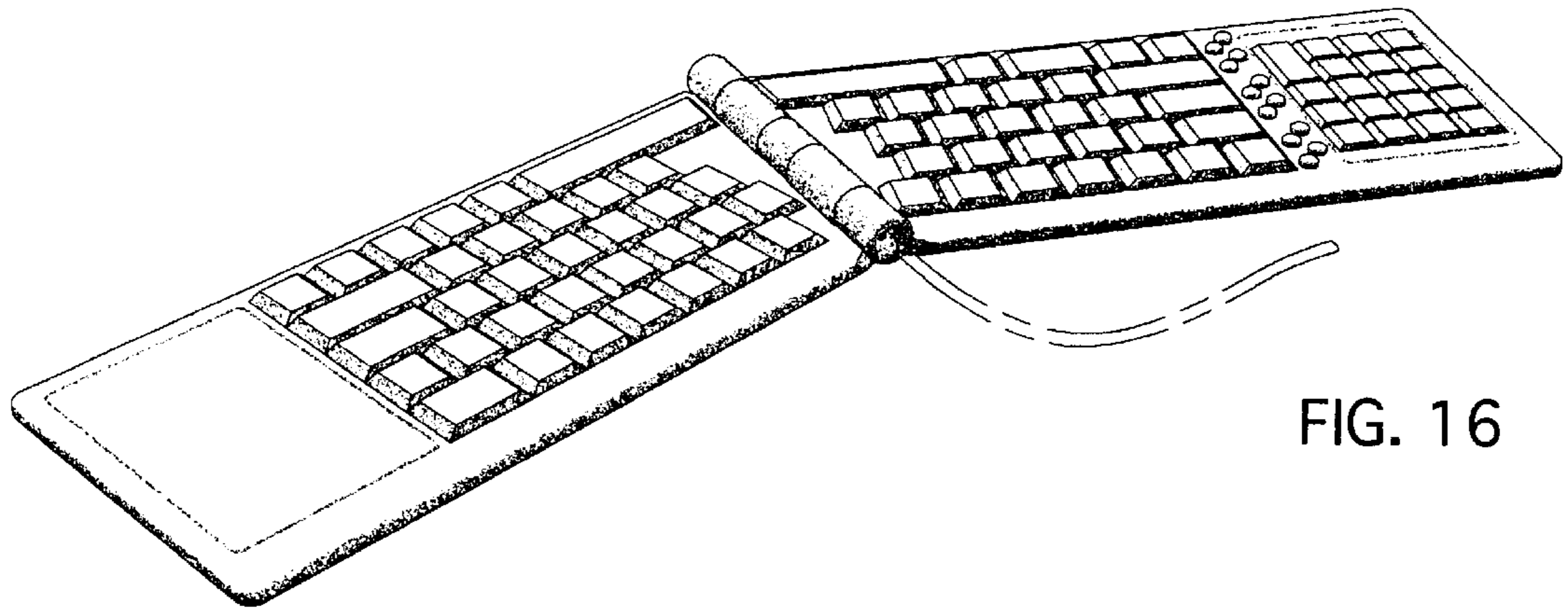


FIG. 16

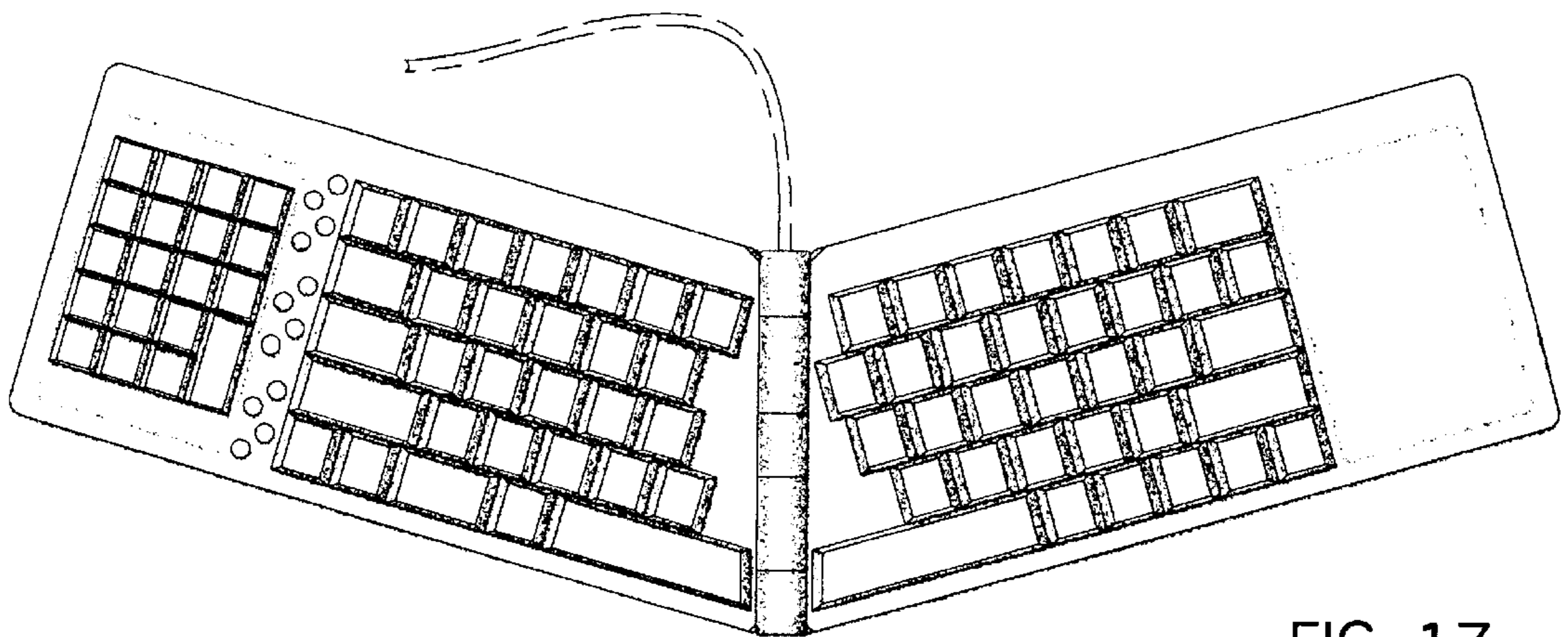


FIG. 17



FIG.18



FIG.19

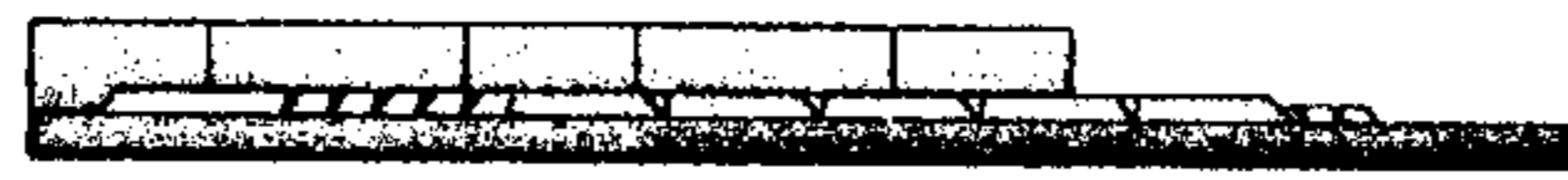


FIG.20

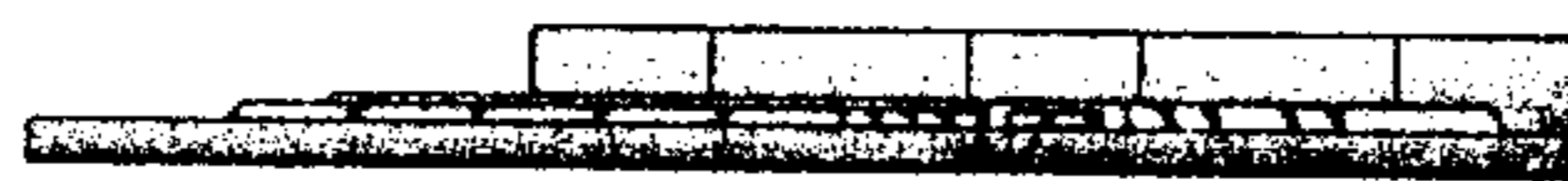


FIG.21

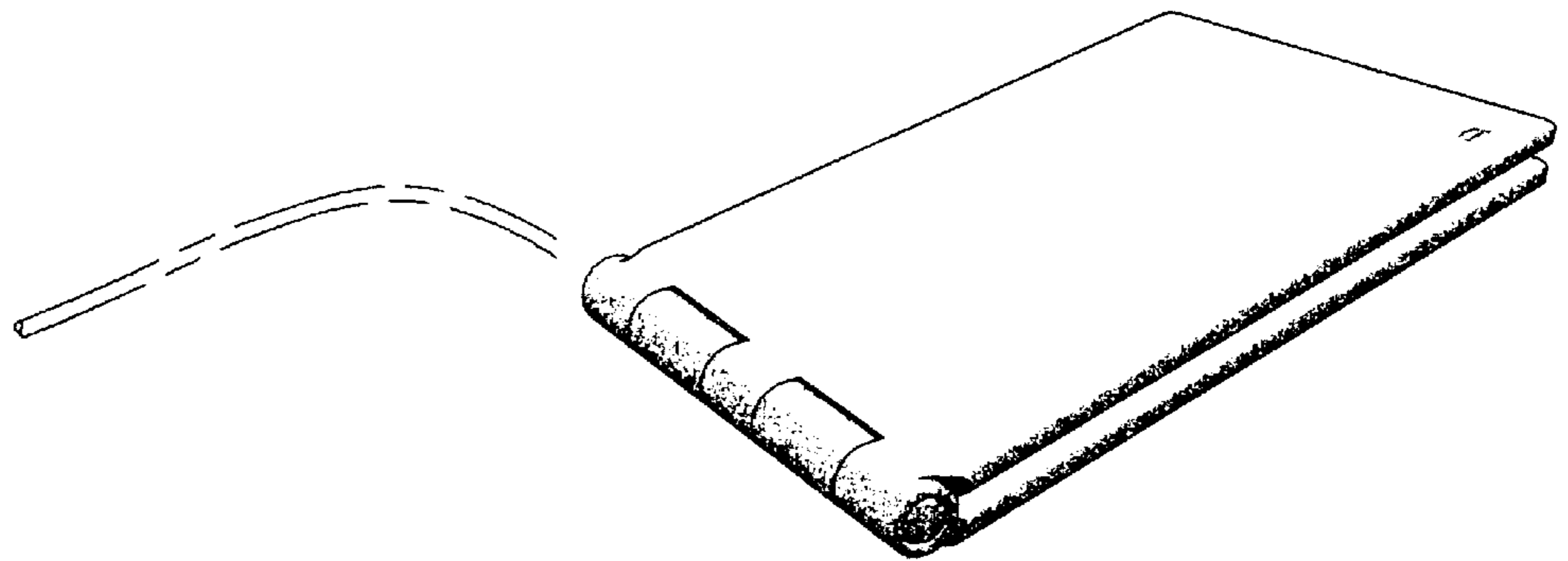


FIG. 22

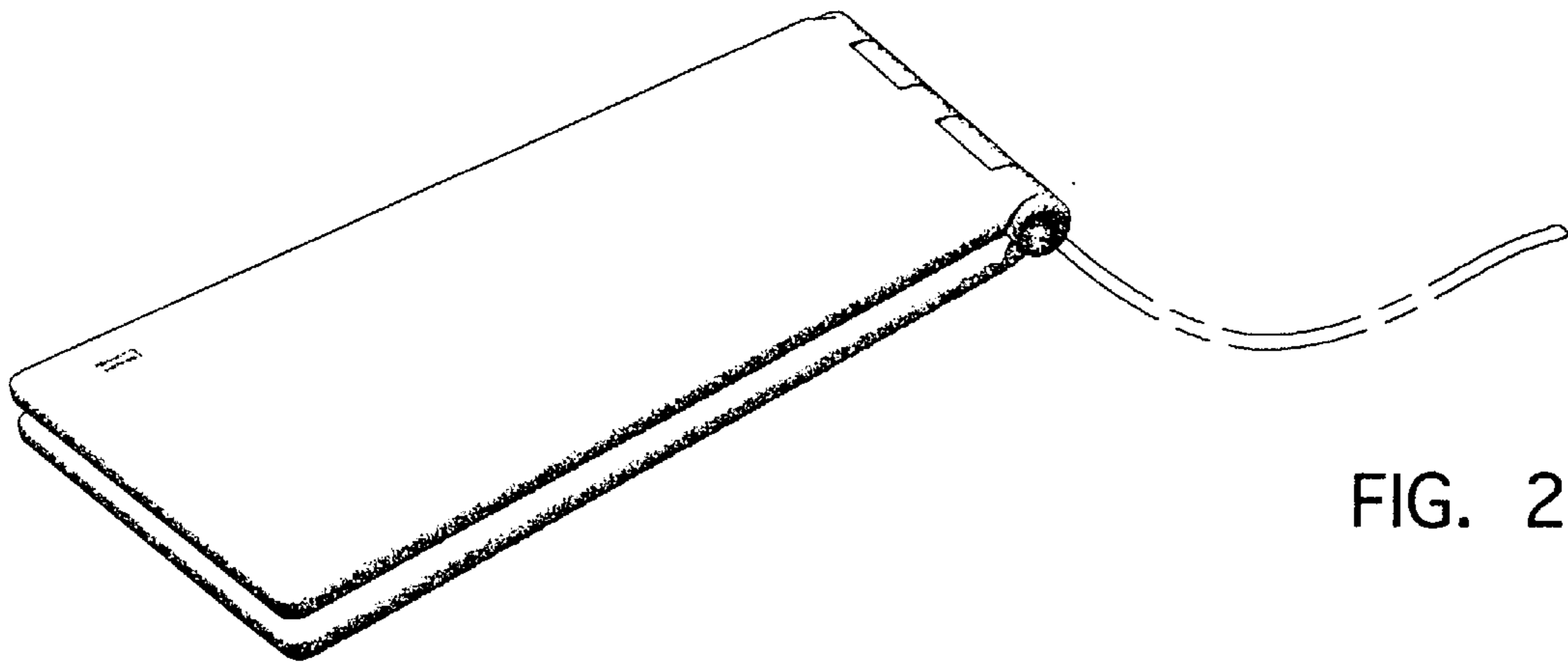


FIG. 23

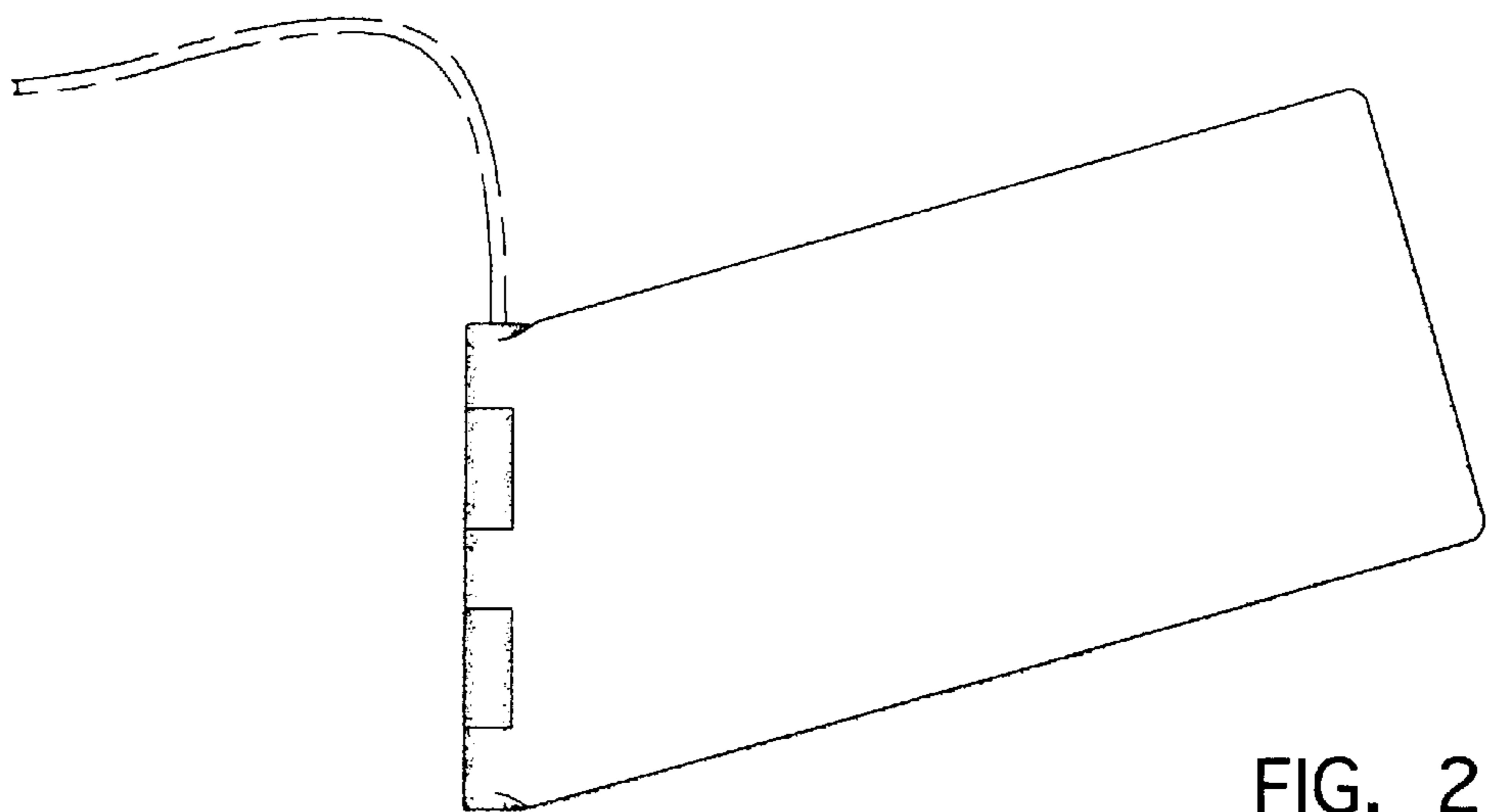


FIG. 24





FIG. 25

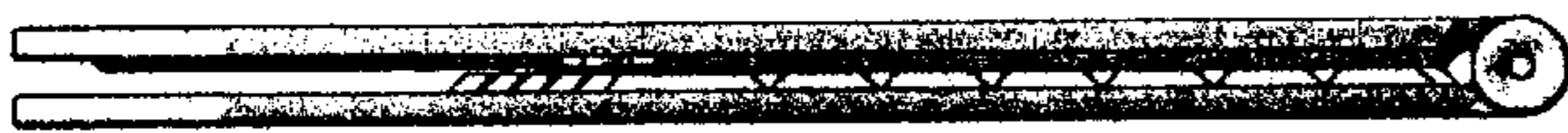


FIG. 26



FIG. 27



FIG. 28