



US00D420653S

United States Patent [19] Ikenaga

[11] Patent Number: **Des. 420,653**

[45] Date of Patent: **** *Feb. 15, 2000**

[54] **OPTICAL DISC CARTRIDGE**

[75] Inventor: **Takashi Ikenaga**, Tokyo, Japan

[73] Assignee: **Sony Corporation**, Tokyo, Japan

[*] Notice: This patent is subject to a terminal disclaimer.

[**] Term: **14 Years**

[21] Appl. No.: **07/915,366**

[22] Filed: **Jul. 20, 1992**

[30] **Foreign Application Priority Data**

Mar. 4, 1992 [JP] Japan 4-6063

[51] **LOC (7) Cl.** **14-02**

[52] **U.S. Cl.** **D14/114**

[58] **Field of Search** D14/100, 107,
D14/114; 360/60, 132, 133, 135, 97.01-99.12;
206/312, 444

[56] **References Cited**

U.S. PATENT DOCUMENTS

D. 283,893	5/1986	Fujimoto	D14/114
D. 292,292	10/1987	Saito et al.	D14/114
D. 298,251	10/1988	Kato et al.	D14/114
D. 307,893	5/1990	Kato et al.	D14/114
D. 311,181	10/1990	Miyazawa	D14/114
D. 315,900	4/1991	Iwata	D14/114
D. 316,711	5/1991	Kantrowitz	D14/114
4,627,532	12/1986	Clemens	206/444 X

4,652,961	3/1987	Dieffenbach	206/444 X
4,787,006	11/1988	Iizuka	206/444 X
5,041,923	8/1991	Iwata et al.	360/60
5,150,269	9/1992	Iwaki et al.	360/60 X
5,195,084	3/1993	Shiba et al.	206/444 X

FOREIGN PATENT DOCUMENTS

2123580	5/1990	Japan	206/444
2128386	5/1990	Japan	206/444

OTHER PUBLICATIONS

Inmac Computer Catalog Item Disk p. 4.

Primary Examiner—M. H. Tung
Attorney, Agent, or Firm—Jay H. Maioli

[57] **CLAIM**

The ornamental design for an optical disc cartridge, as shown and described.

DESCRIPTION

FIG. 1 is a top plan view of an optical disc cartridge, showing my new design;
FIG. 2 is a left-side elevational view thereof;
FIG. 3 is a front elevational view thereof;
FIG. 4 is a right-side elevational view thereof;
FIG. 5 is a rear elevational view thereof;
FIG. 6 is a bottom plan view thereof;
FIG. 7 is a top, front and right-side perspective view thereof; and,
FIG. 8 is a rear elevational view thereof, shown in the open position.

1 Claim, 3 Drawing Sheets

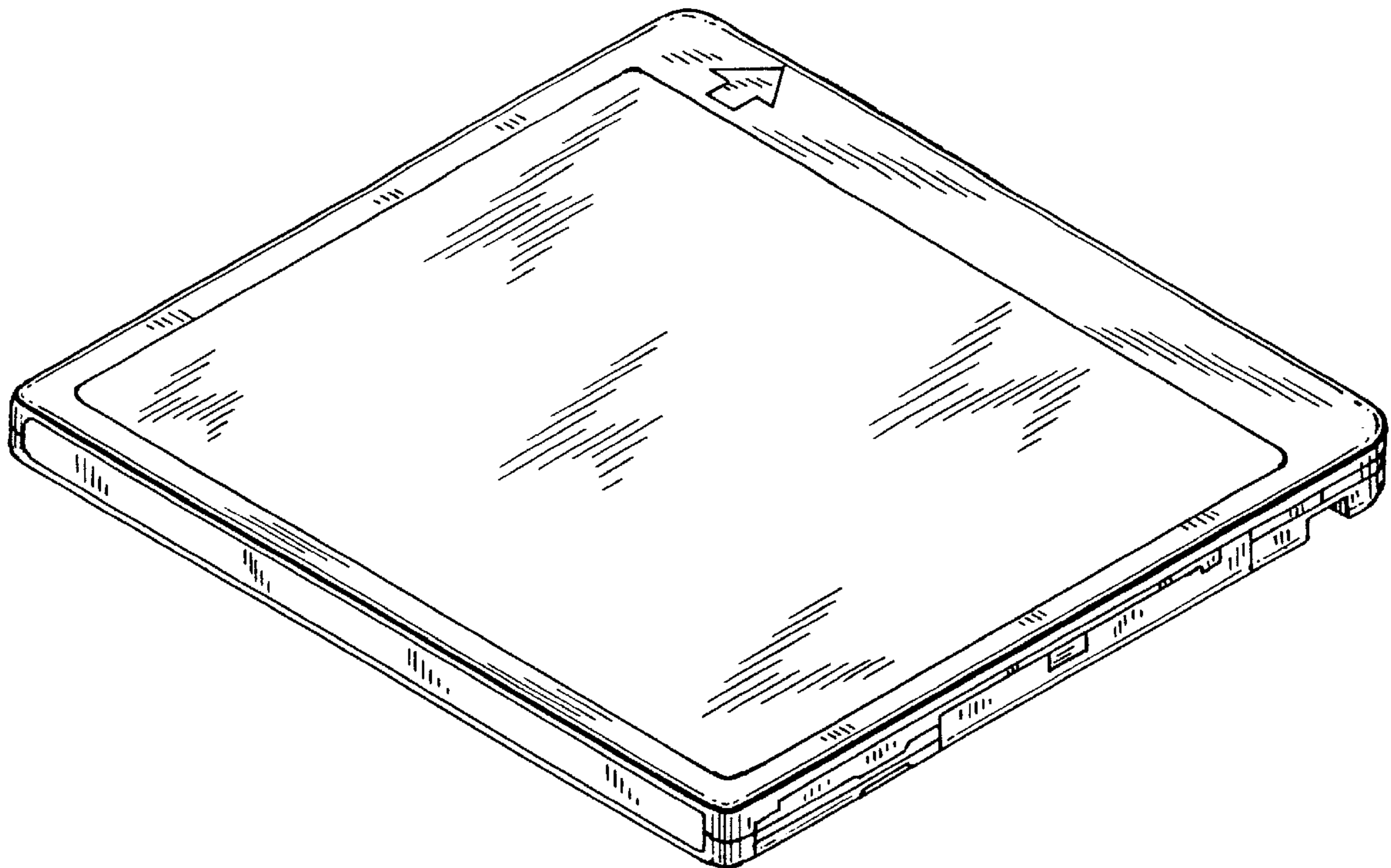


FIG. 1



FIG. 2



FIG. 3

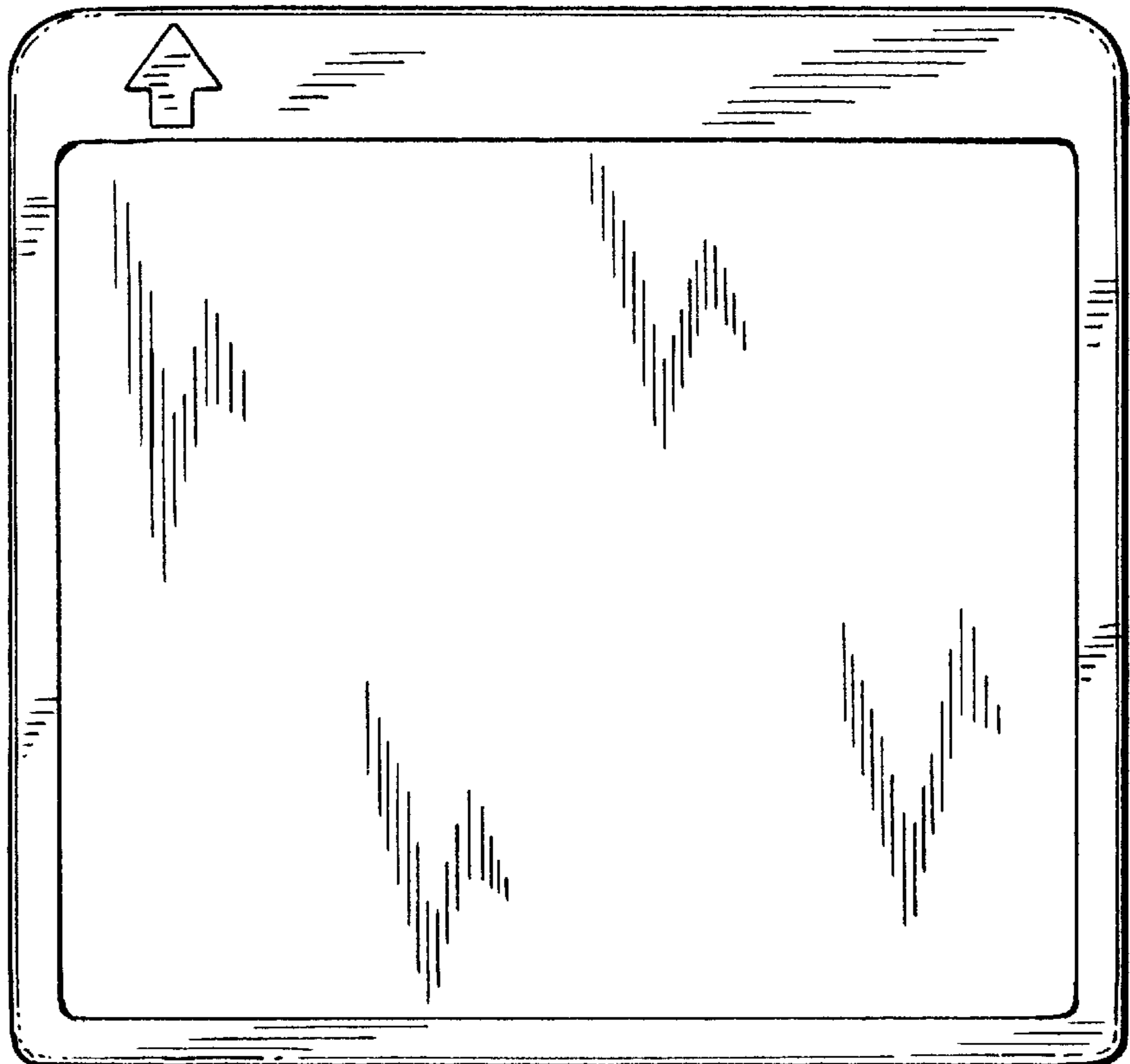


FIG.4



FIG.5

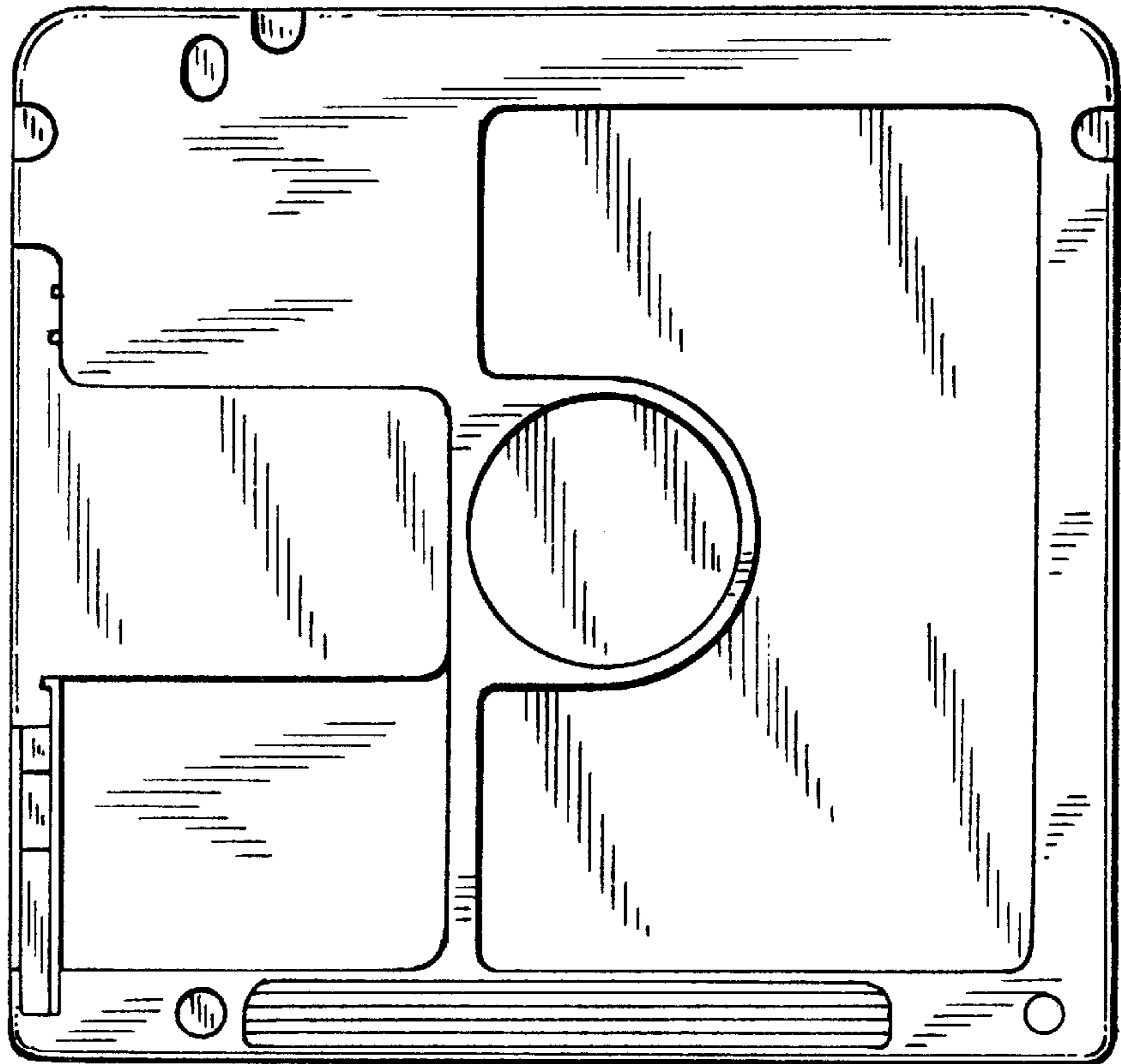


FIG.6

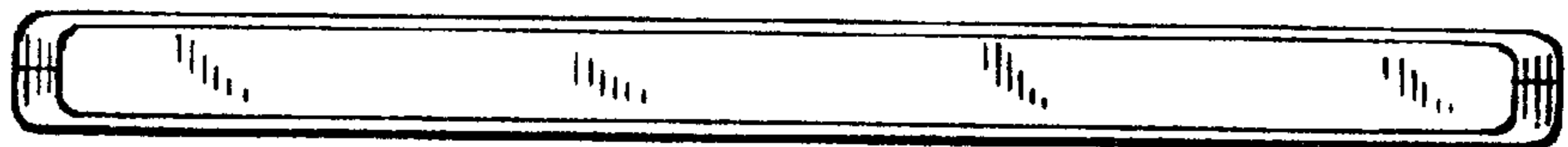


FIG.7

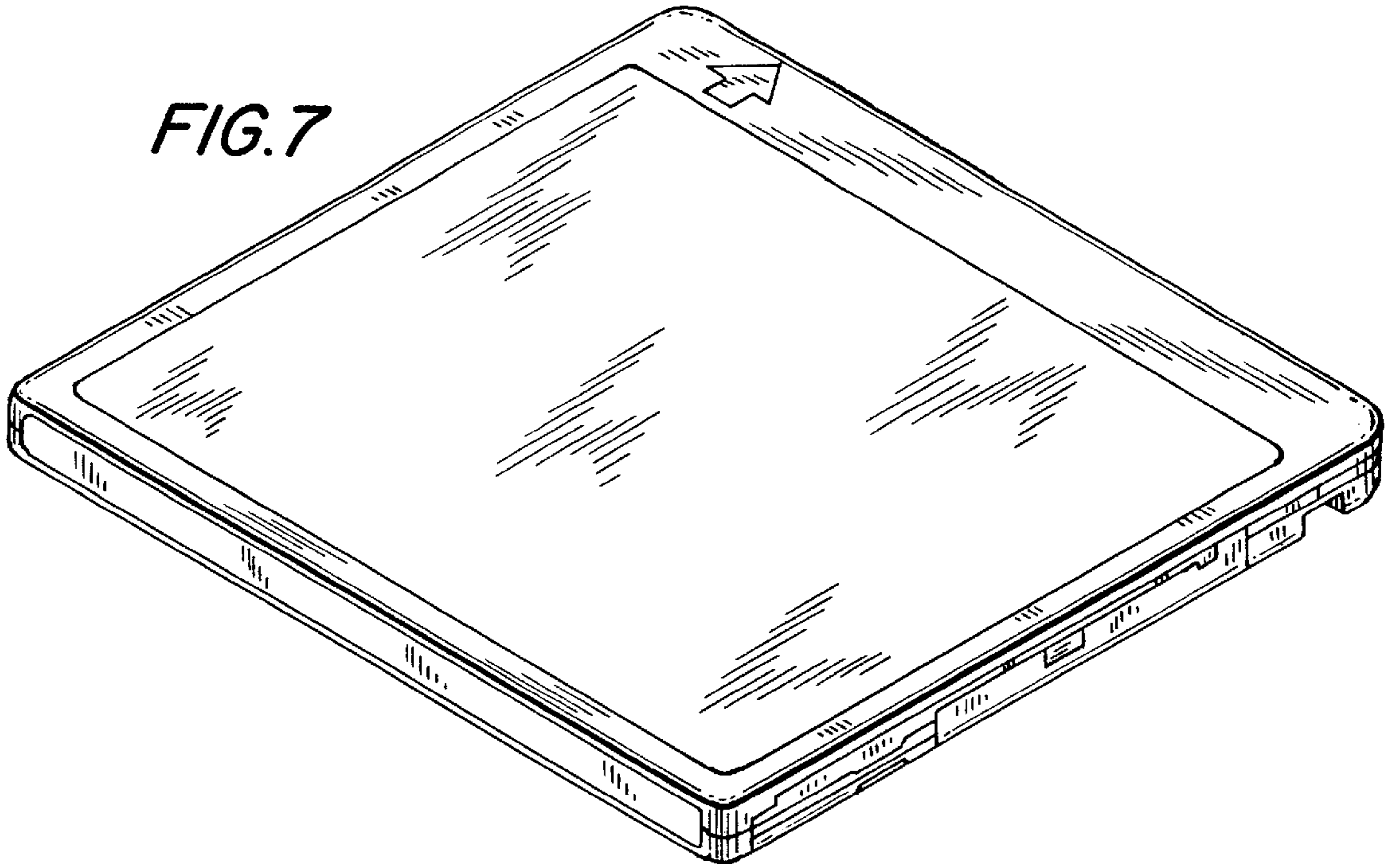


FIG.8

