



US00D420649S

United States Patent [19]

[11] **Patent Number: Des. 420,649**

Renne et al.

[45] **Date of Patent: ** Feb. 15, 2000**

[54] **SWITCH**

784,006	2/1905	La Har	200/336
1,282,565	10/1918	Gates	200/329
4,090,046	5/1978	Faust et al.	200/275 X

[76] Inventors: **Scott W. Renne**, 4788 Nettle La., Bellingham, Wash. 98226; **Kevin L. Lacy**, 937 N. Pine Ct., Lynden, Wash. 98264

Primary Examiner—Holly Baynham
Assistant Examiner—Lavone D. Tabor
Attorney, Agent, or Firm—Robert B. Hughes; Hughes & Schacht, P.S.

[**] Term: **14 Years**

[21] Appl. No.: **29/088,645**

[57] **CLAIM**

[22] Filed: **May 28, 1998**

The ornamental design for a switch, as shown and described.

[51] **LOC (7) Cl.** **13-03**

DESCRIPTION

[52] **U.S. Cl.** **D13/158**

FIG. 1 is an isometric view of the design of the switch of the present invention;
FIG. 2 is a front elevational view thereof;
FIG. 3 is a side elevational view thereof;
FIG. 4 is a rear elevational view thereof;
FIG. 5 is a side elevational view thereof, showing the side opposite to that shown in FIG. 3;
FIG. 6 is a top plan view thereof; and,
FIG. 7 is a bottom elevational view thereof.

[58] **Field of Search** D13/158, 169,
D13/174; 200/6 B, 6 BB, 273, 275, 329,
336, 564-569

[56] **References Cited**

U.S. PATENT DOCUMENTS

D. 260,637	9/1981	Hollenbech, Jr.	D13/158
D. 280,615	9/1985	Beck et al.	D13/169
578,695	3/1897	Gibbs	200/336

1 Claim, 2 Drawing Sheets

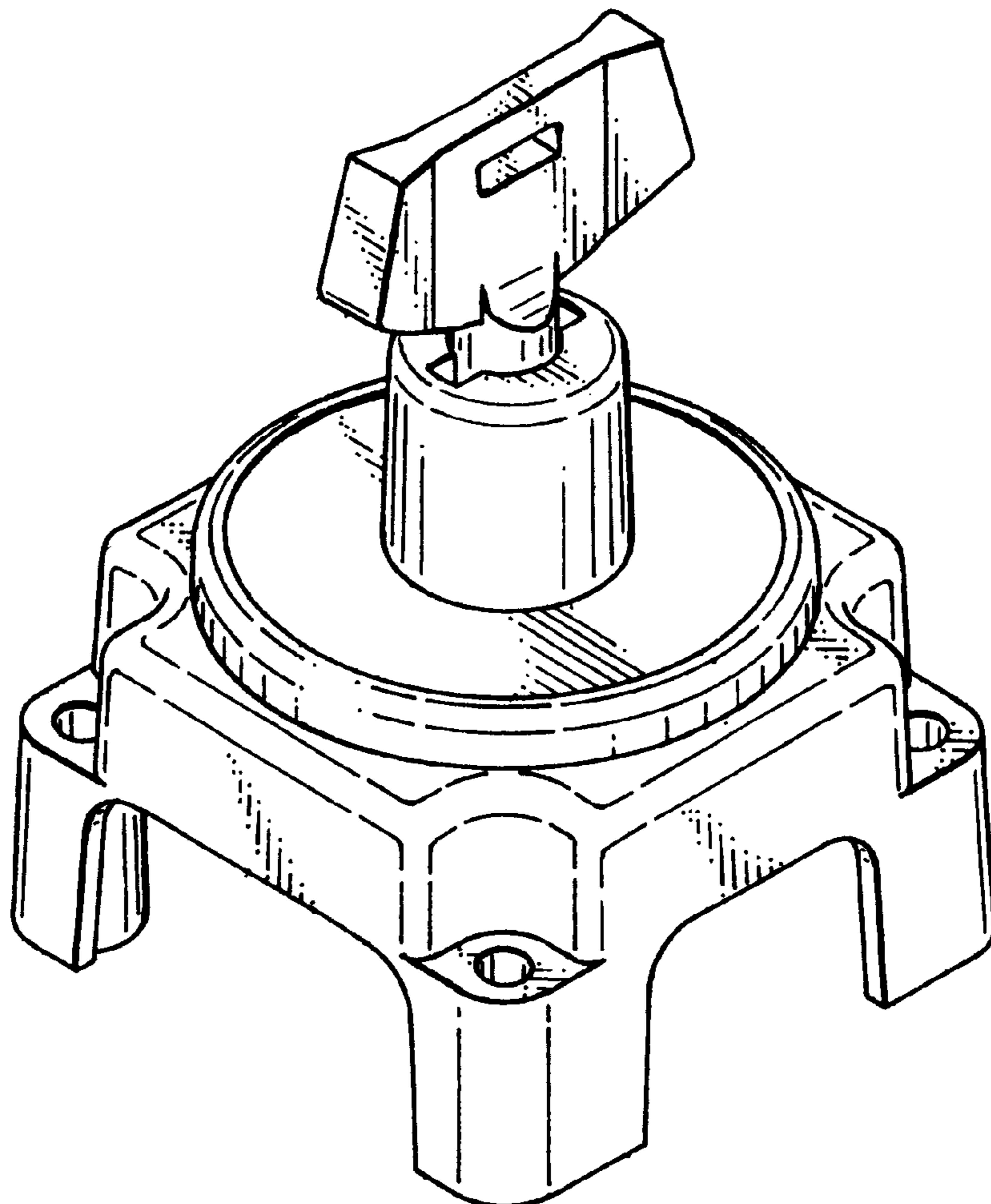


FIG. 1

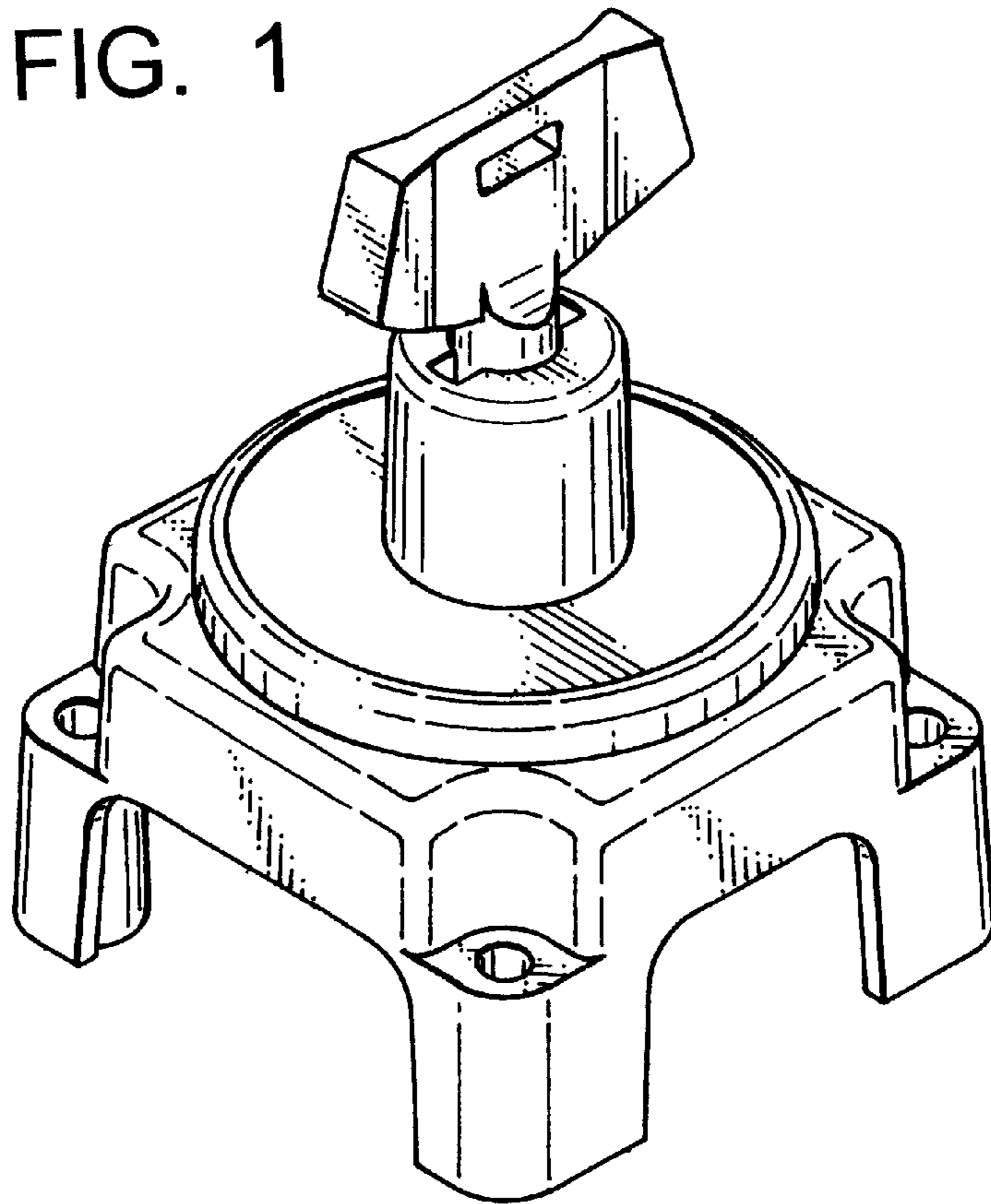


FIG. 2

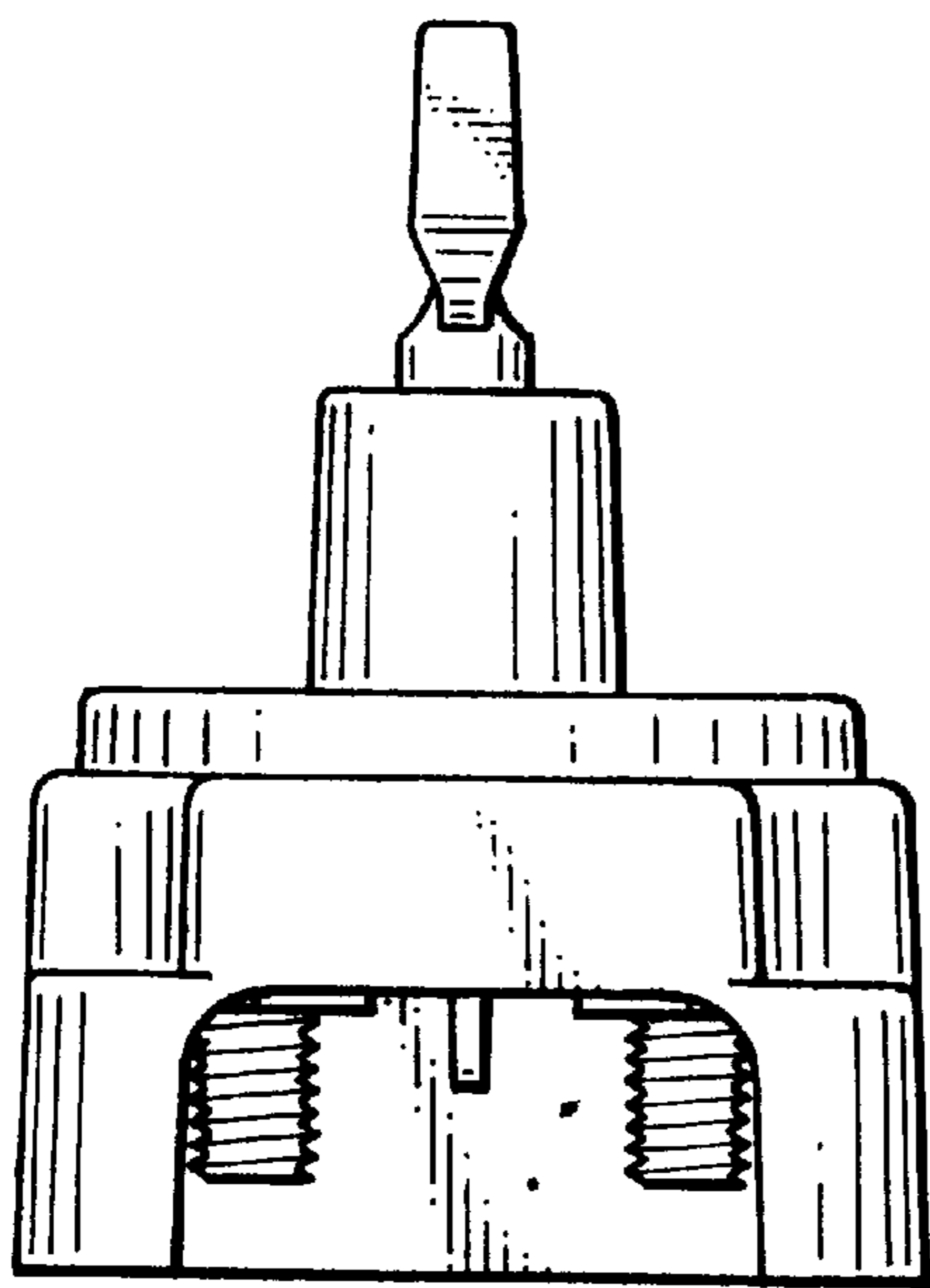


FIG. 3

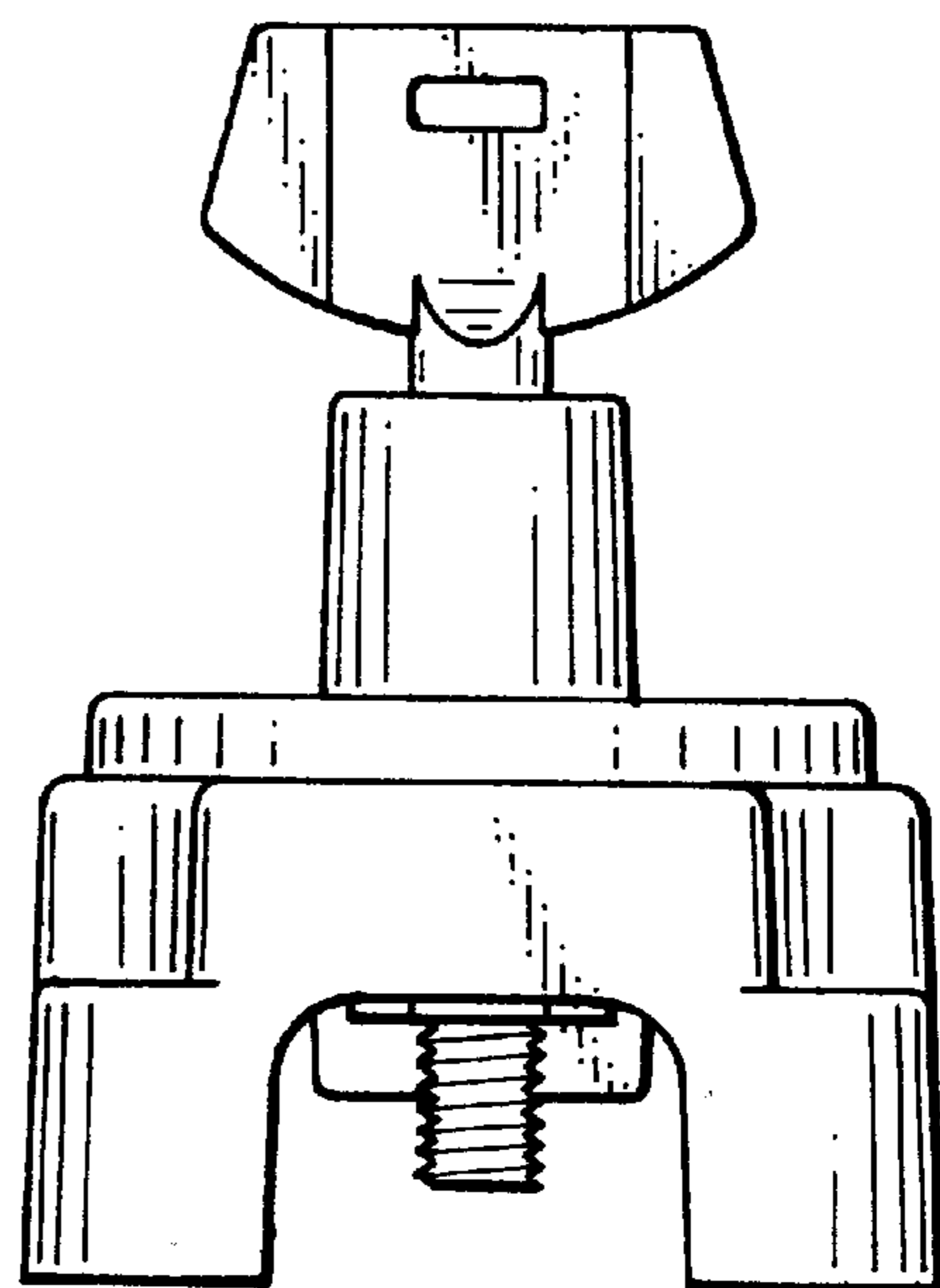


FIG. 4

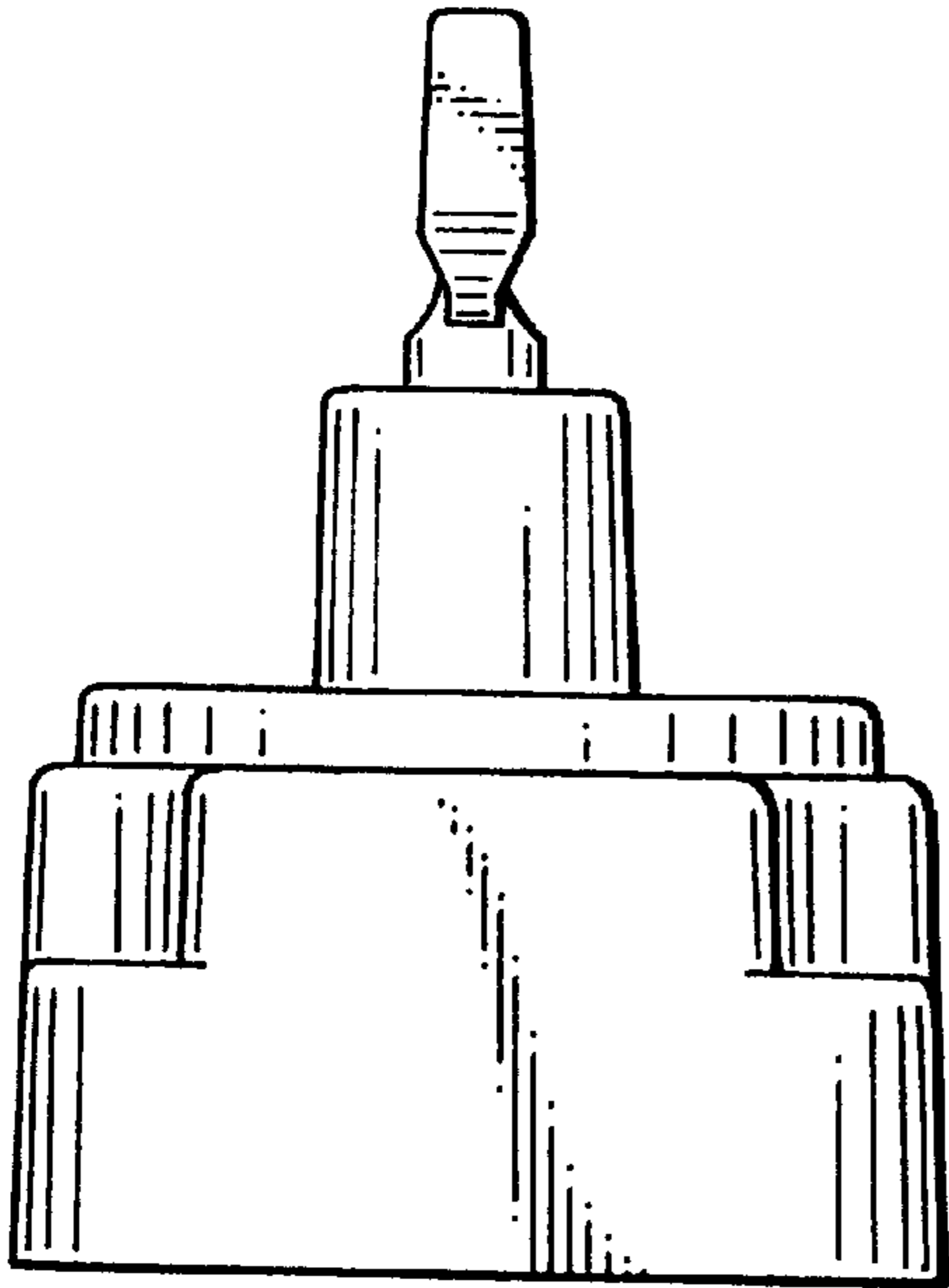


FIG. 5

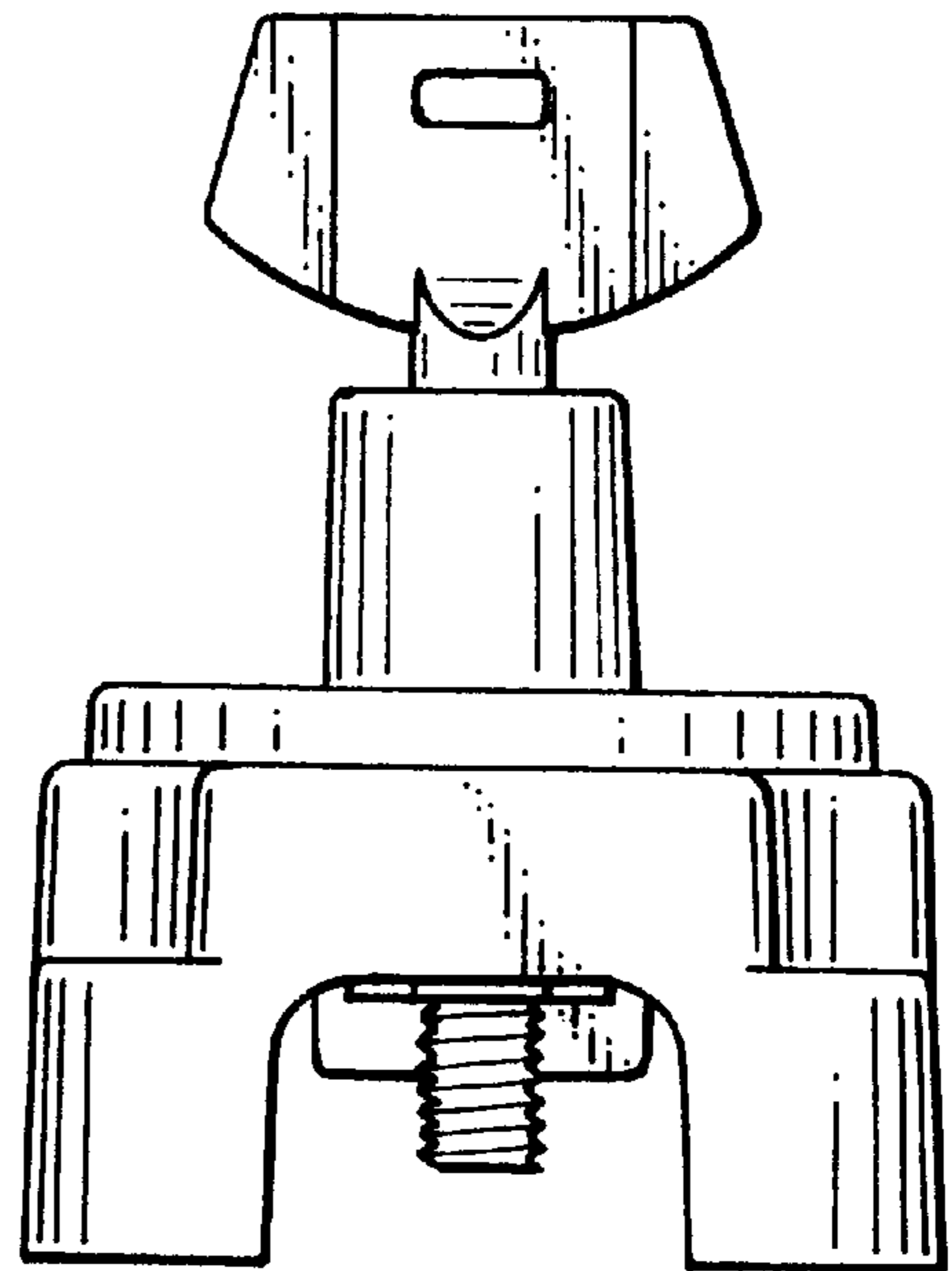


FIG. 6

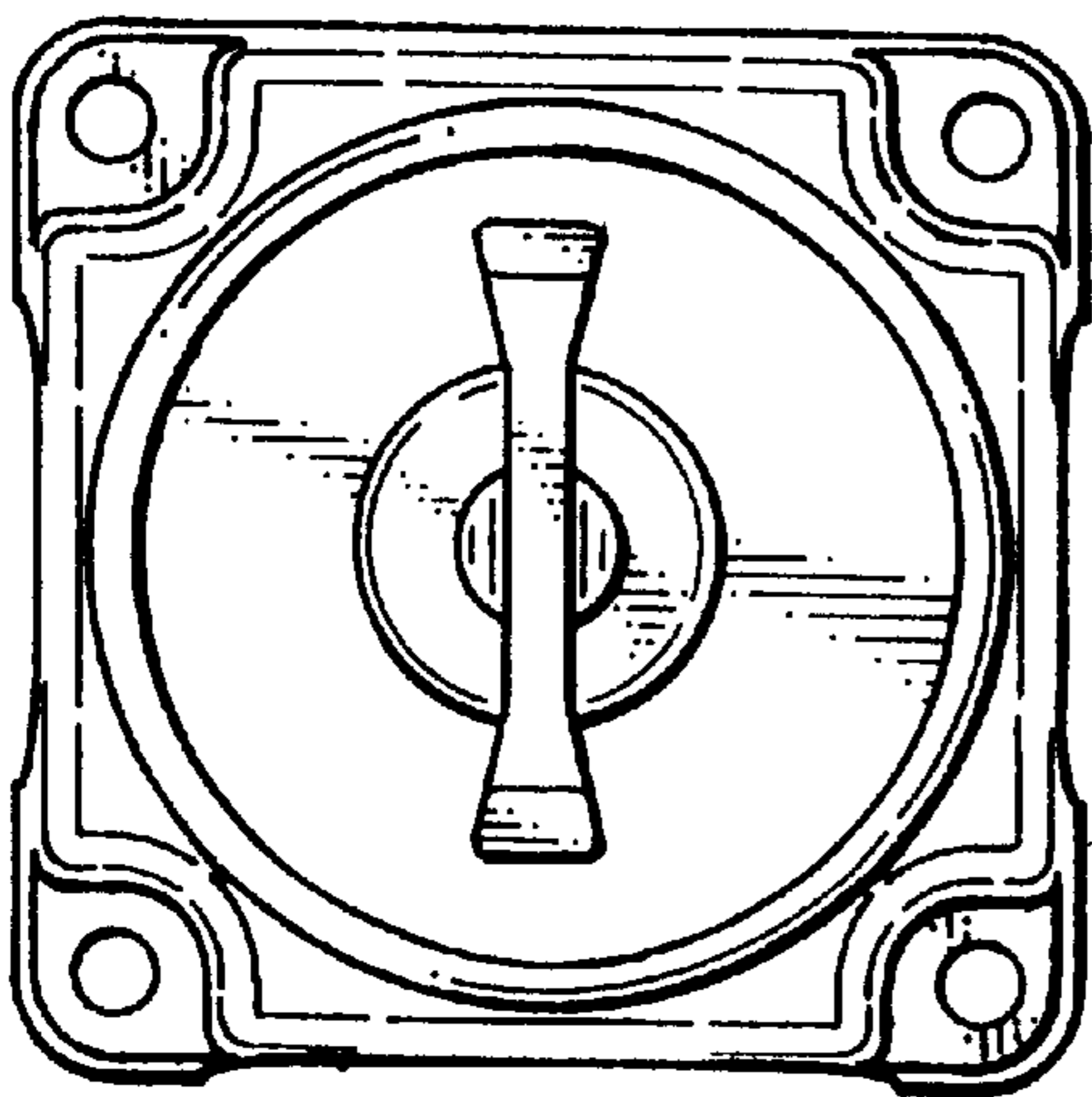


FIG. 7

