



US00D420647S

United States Patent [19] Chang

[11] Patent Number: **Des. 420,647**

[45] Date of Patent: **** Feb. 15, 2000**

[54] **SMART CARD CONNECTOR**

[75] Inventor: **Yao-Hao Chang**, Chung-Ho, Taiwan

[73] Assignee: **Hon Hai Precision Ind. Co., Ltd.**,
Taipei Hsien, Taiwan

[**] Term: **14 Years**

[21] Appl. No.: **29/091,521**

[22] Filed: **Jul. 31, 1998**

[51] **LOC (7) Cl.** **13-03**

[52] **U.S. Cl.** **D13/147**

[58] **Field of Search** D13/147; 439/260,
439/325, 630

[56] **References Cited**

U.S. PATENT DOCUMENTS

- D. 251,422 3/1979 Thomas et al. D13/147
- 5,286,957 2/1994 Defrasne 235/441
- 5,470,260 11/1995 Schwan et al. 439/630

- 5,667,408 9/1997 Broschard, III et al. 439/630
- 5,679,007 10/1997 Potdevin et al. 439/76.1
- 5,775,949 7/1998 Bricaud 439/630

Primary Examiner—Joel Sincavage

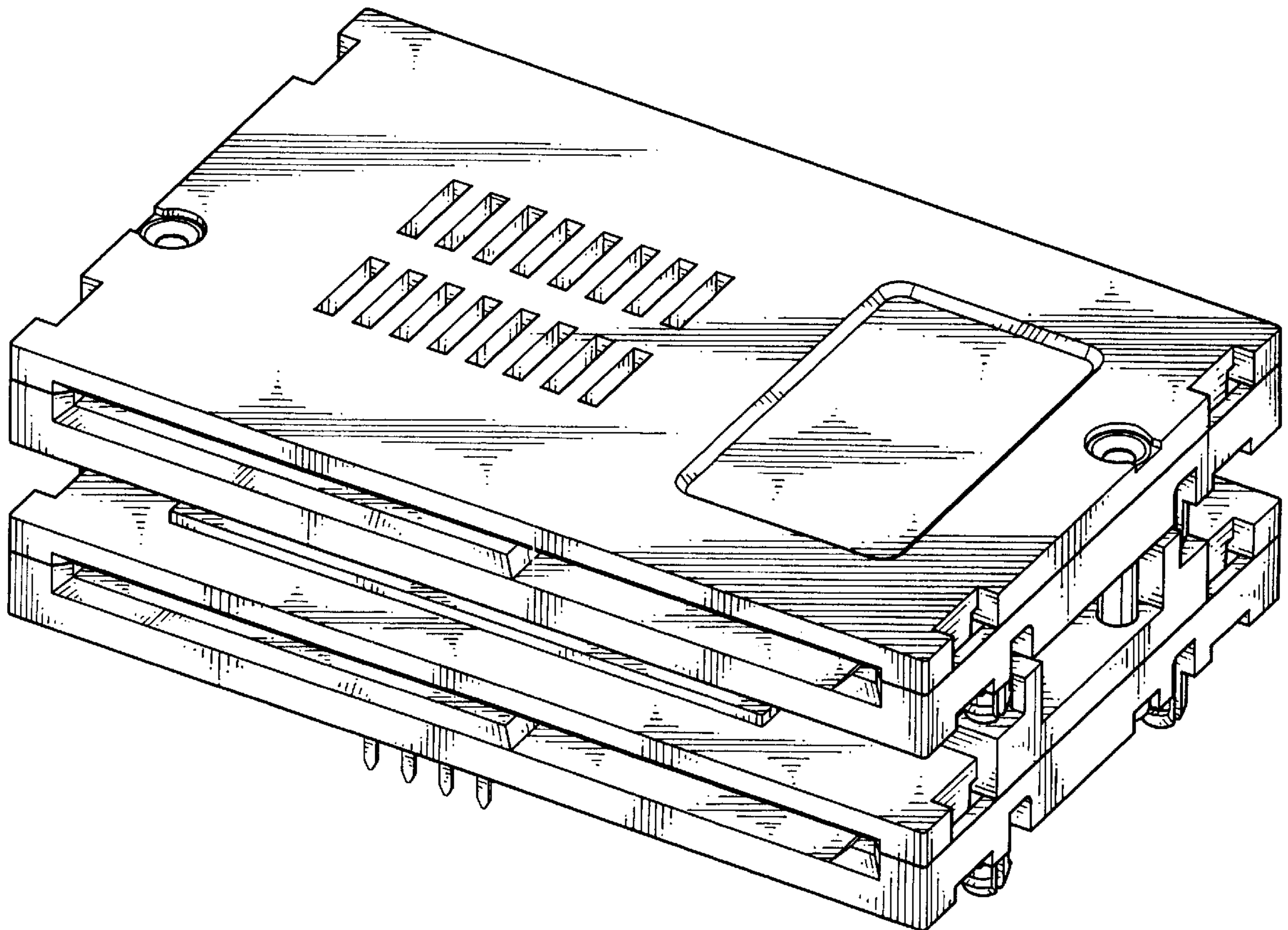
[57] **CLAIM**

The ornamental design for a smart card connector, as shown.

DESCRIPTION

FIG. 1 is a front, top and right perspective view of a smart card connector showing my new design;
 FIG. 2 is a front view thereof;
 FIG. 3 is a rear view thereof;
 FIG. 4 is a left side elevational view thereof;
 FIG. 5 is a right side elevational view thereof;
 FIG. 6 is a top plan view thereof;
 FIG. 7 is a bottom plan view thereof; and,
 FIG. 8 is another perspective view of the smart card connector.

1 Claim, 6 Drawing Sheets



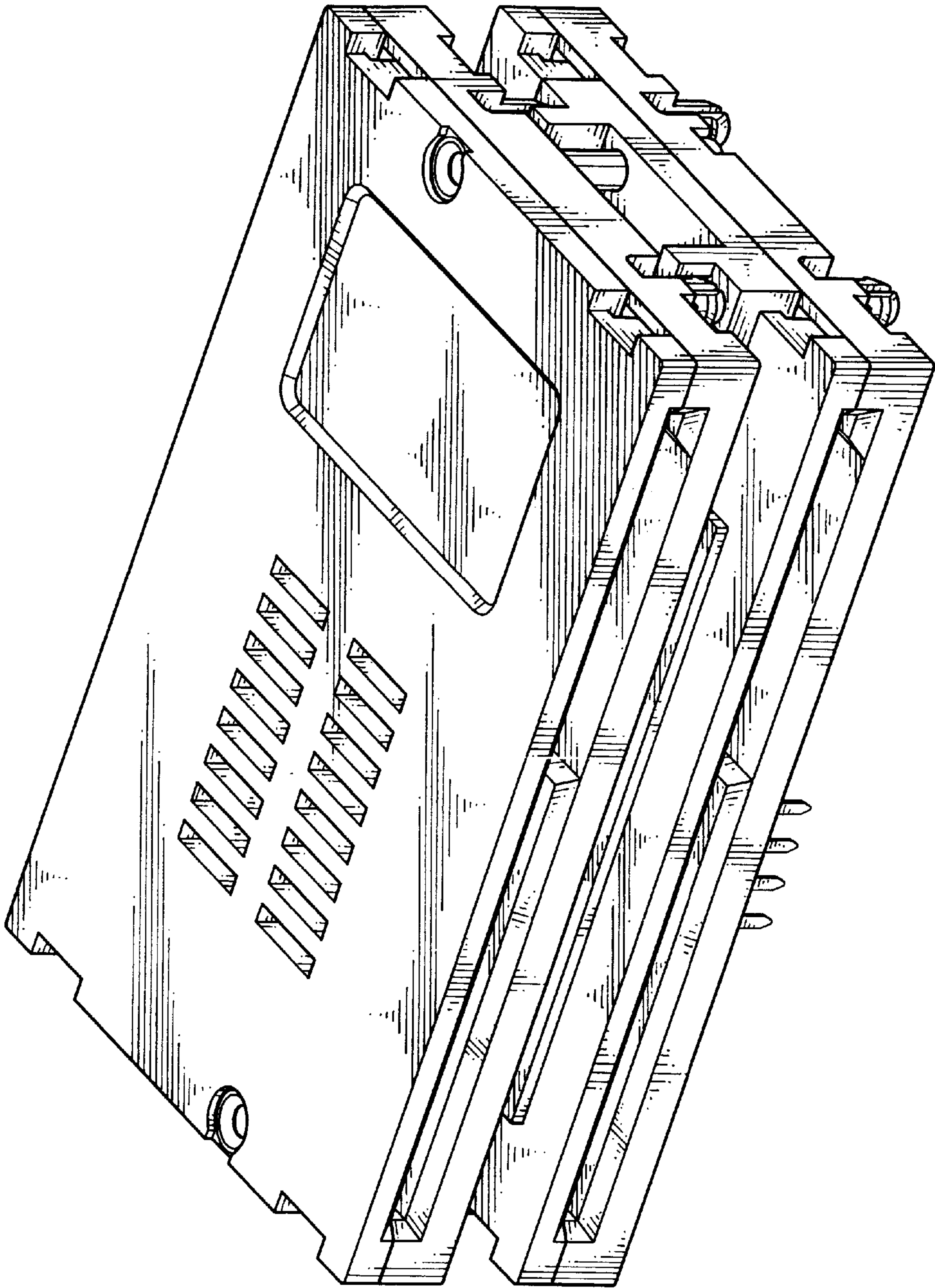


FIG. 1

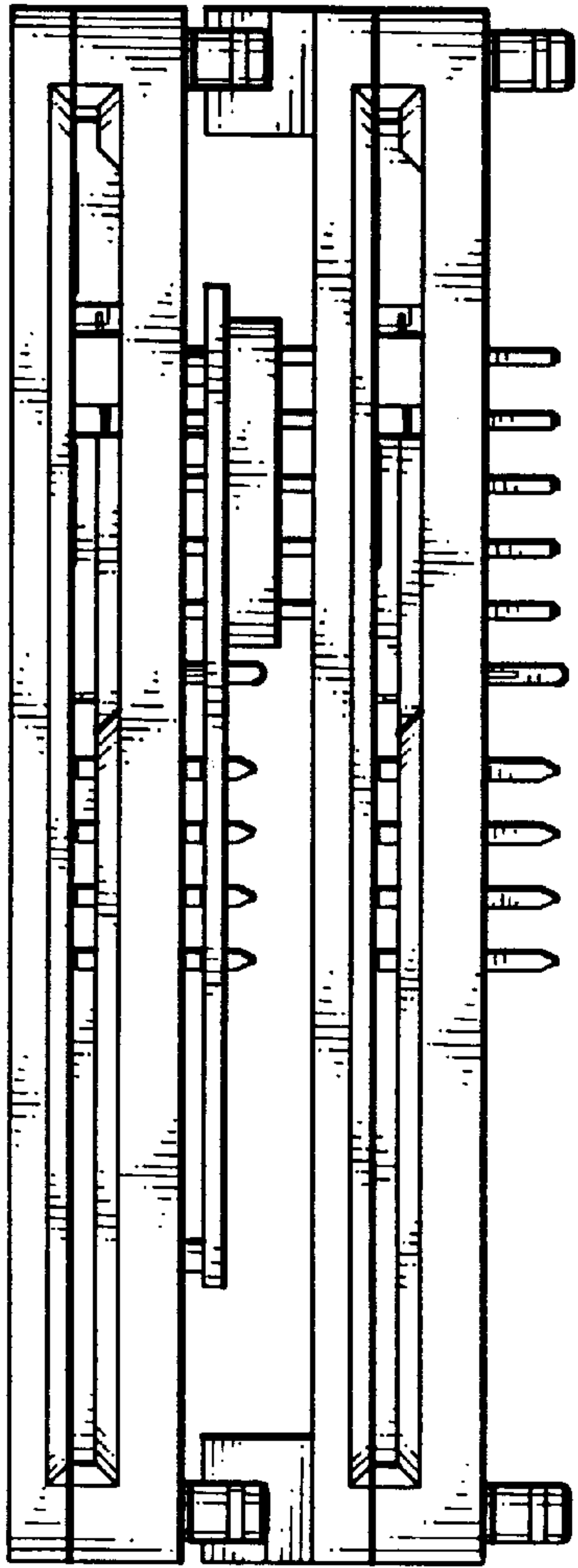


FIG. 2

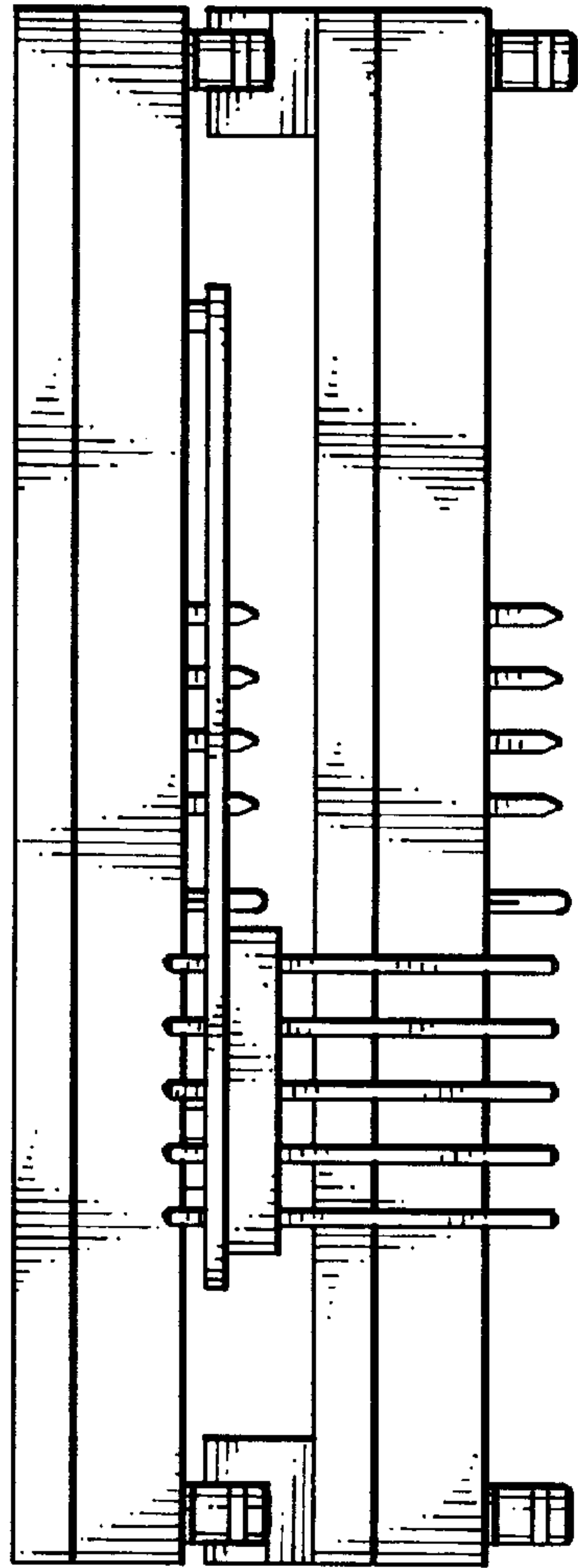


FIG. 3

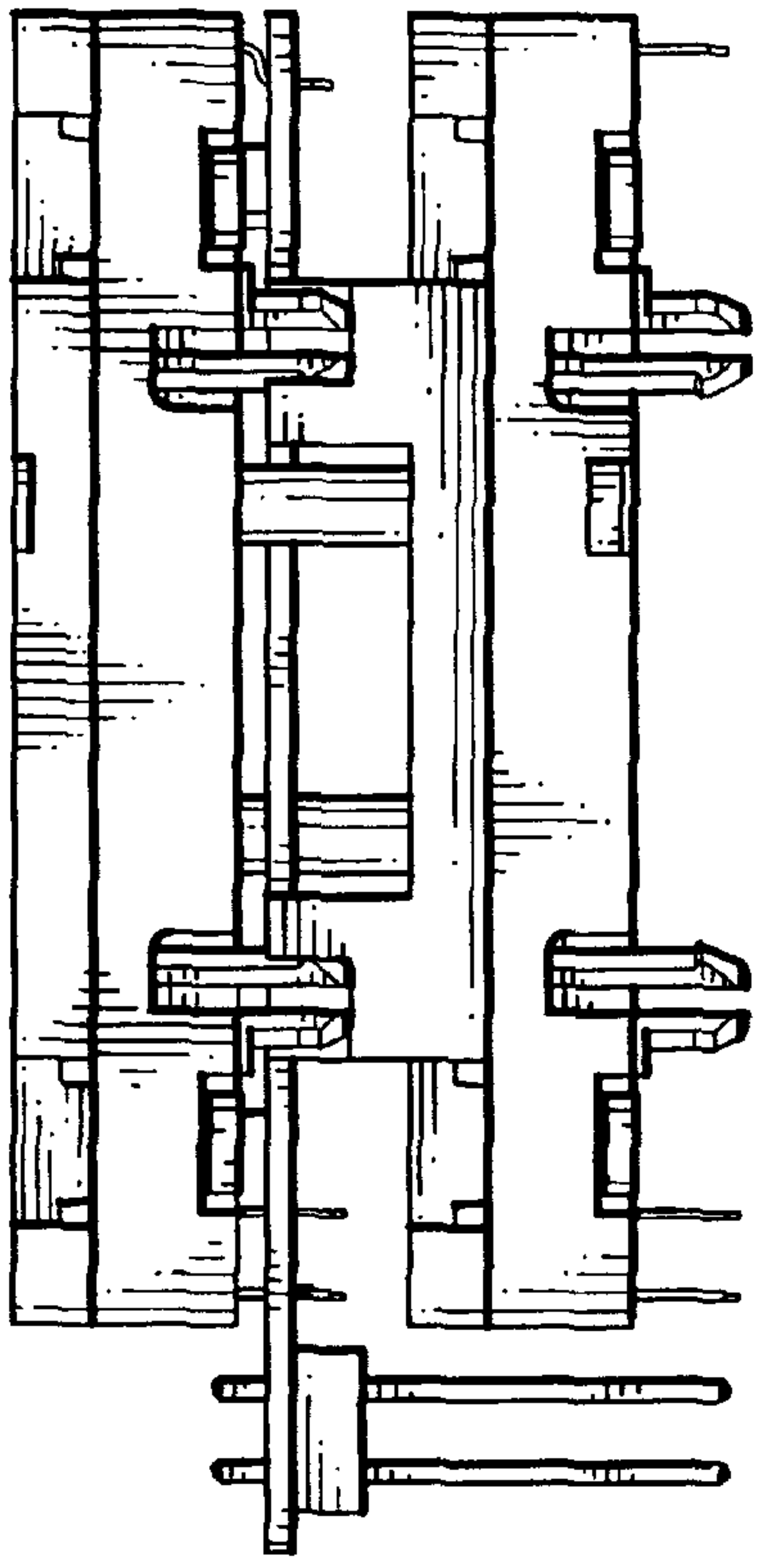


FIG. 4

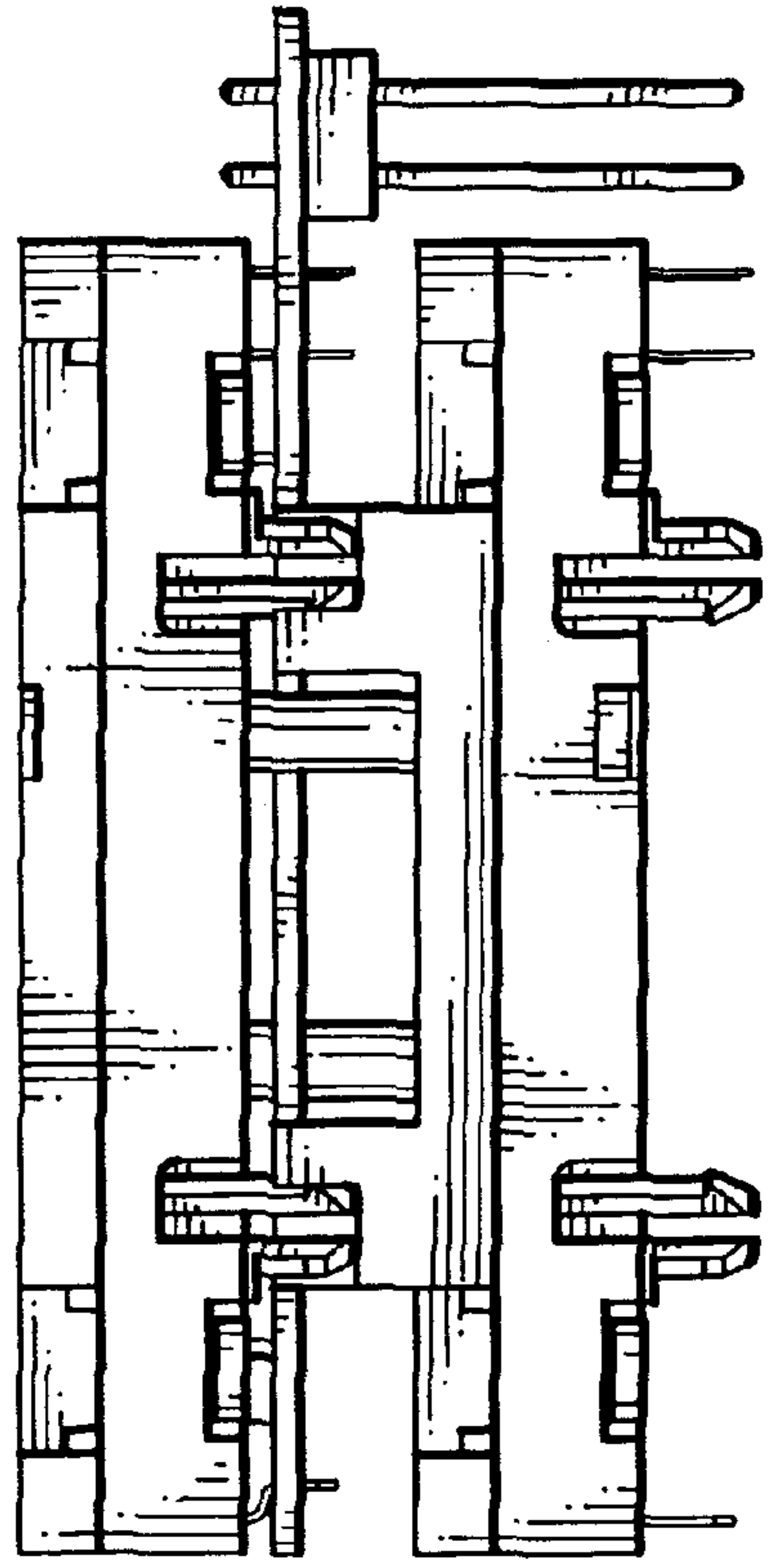


FIG. 5

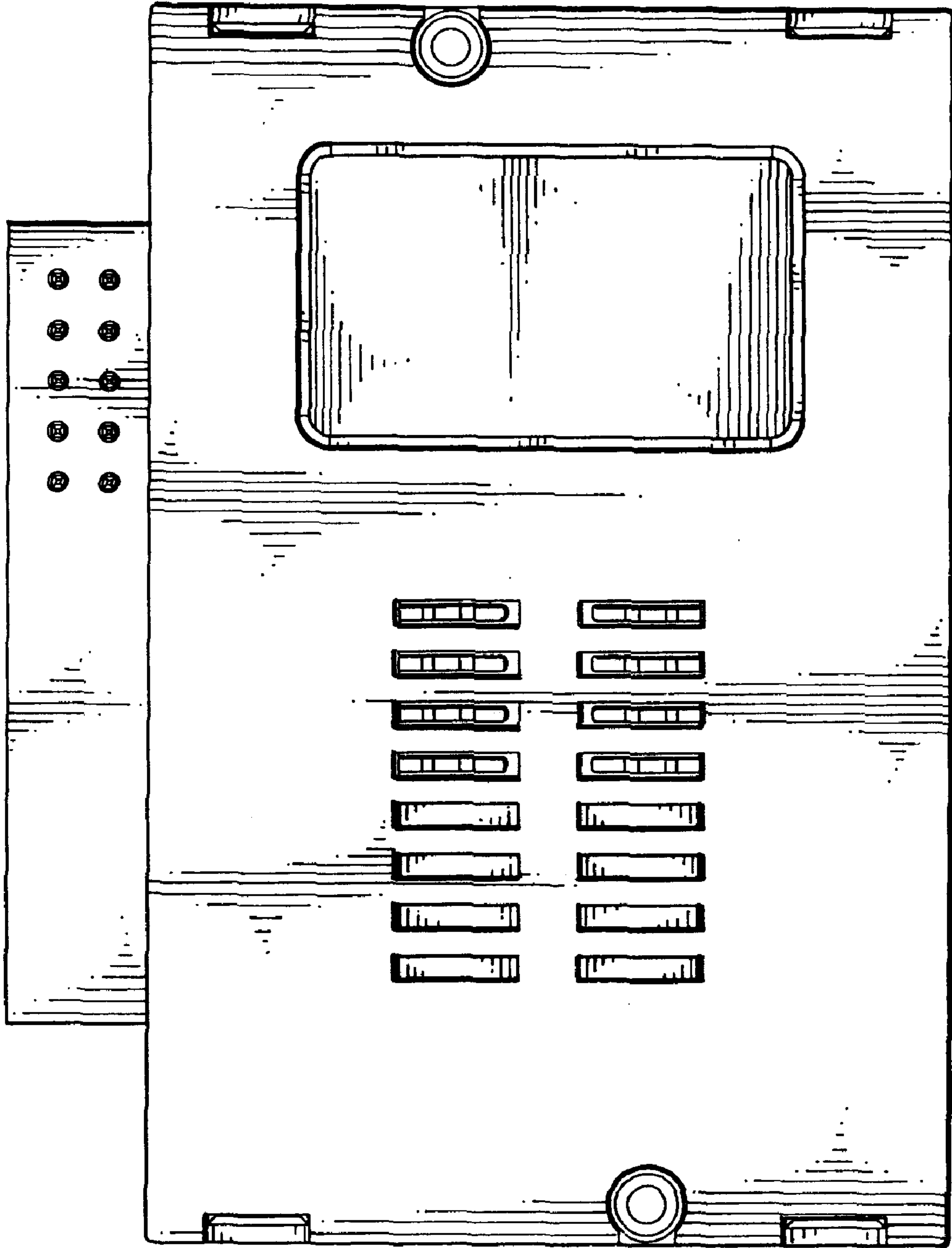


FIG. 6

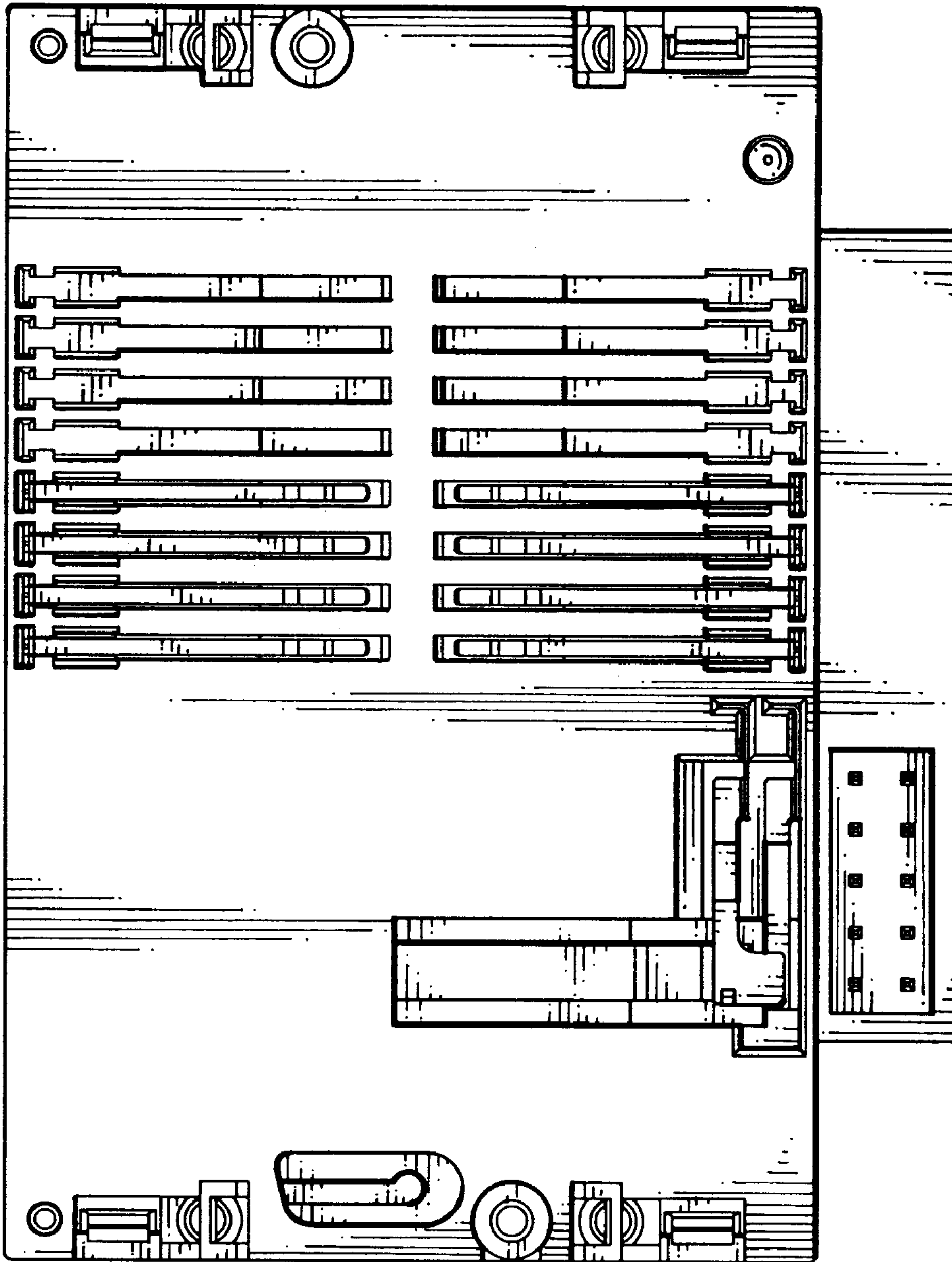


FIG. 7

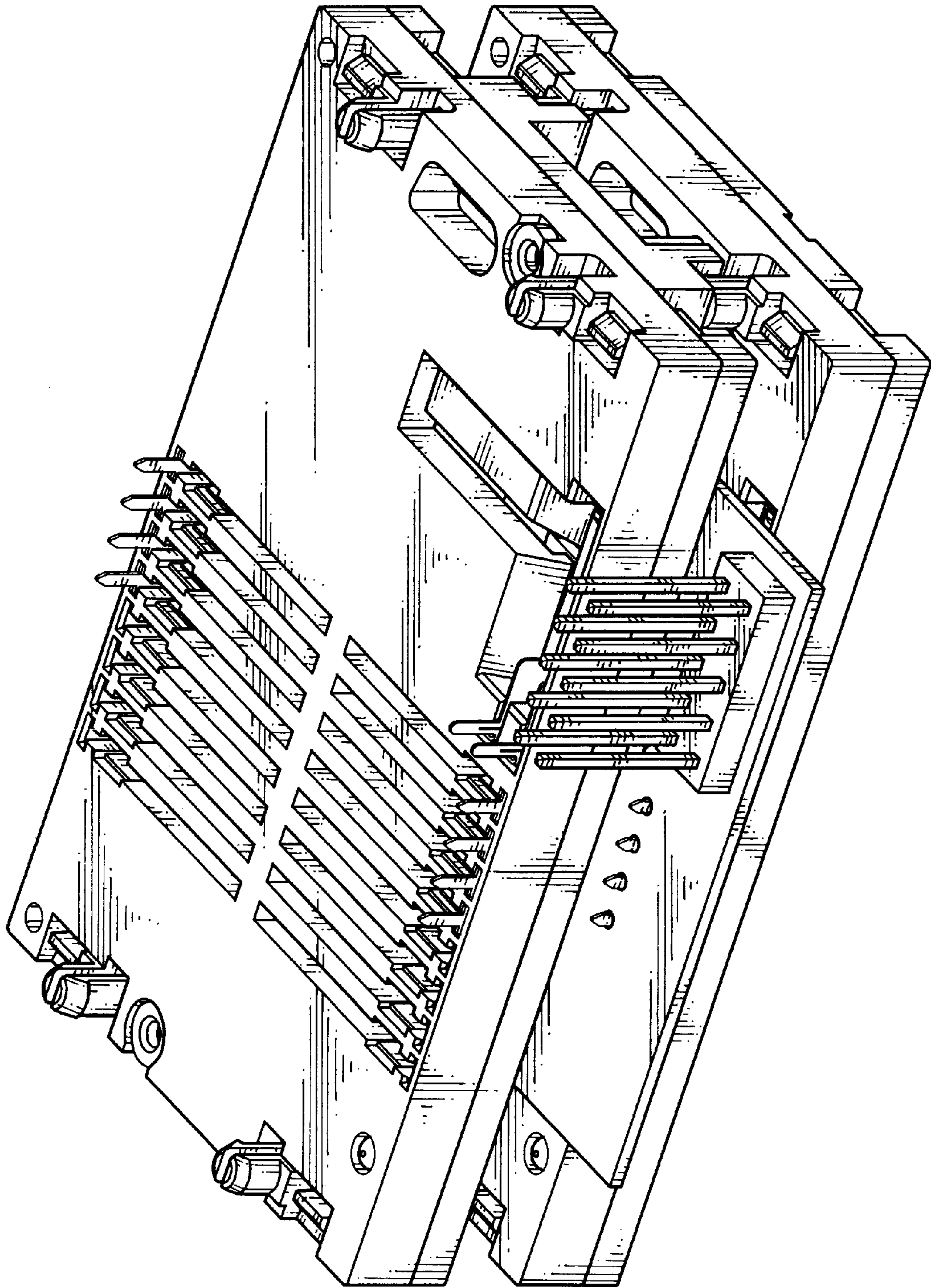


FIG. 8