



US00D420646S

United States Patent [19] Liao

[11] **Patent Number: Des. 420,646**

[45] **Date of Patent: ** Feb. 15, 2000**

[54] **POWER SUPPLY ADAPTER FOR A PERSONAL COMPUTER**

4,804,337 2/1989 Sebastien et al. 439/701 X
5,026,304 6/1991 Furrow 439/595
5,700,162 12/1997 Hatagishi et al. 439/595

[75] Inventor: **Wen-Chih Liao**, Ba-Te, Taiwan

Primary Examiner—Joel Sincavage

[73] Assignee: **Hon Hai Precision Ind. Co., Ltd.**,
Taipei Hsien, Taiwan

[57] **CLAIM**

[**] Term: **14 Years**

The ornamental design for a power supply adapter for a personal computer, as shown.

[21] Appl. No.: **29/076,172**

[22] Filed: **Sep. 4, 1997**

DESCRIPTION

[30] Foreign Application Priority Data

Apr. 10, 1997 [TW] Taiwan 86302997

FIG. 1 is a perspective view of a power supply adapter for a personal computer showing my new design;

[51] **LOC (7) Cl.** **13-03**

FIG. 2 is a top plan view thereof;

[52] **U.S. Cl.** **D13/147**

FIG. 3 is a bottom plan view thereof;

[58] **Field of Search** D14/147; 439/502,
439/595, 594, 597, 188, 79, 607, 686, 701,
712

FIG. 4 is a rear elevational view thereof;

FIG. 5 is a right side elevational view thereof;

FIG. 6 is a left side elevational view thereof; and,

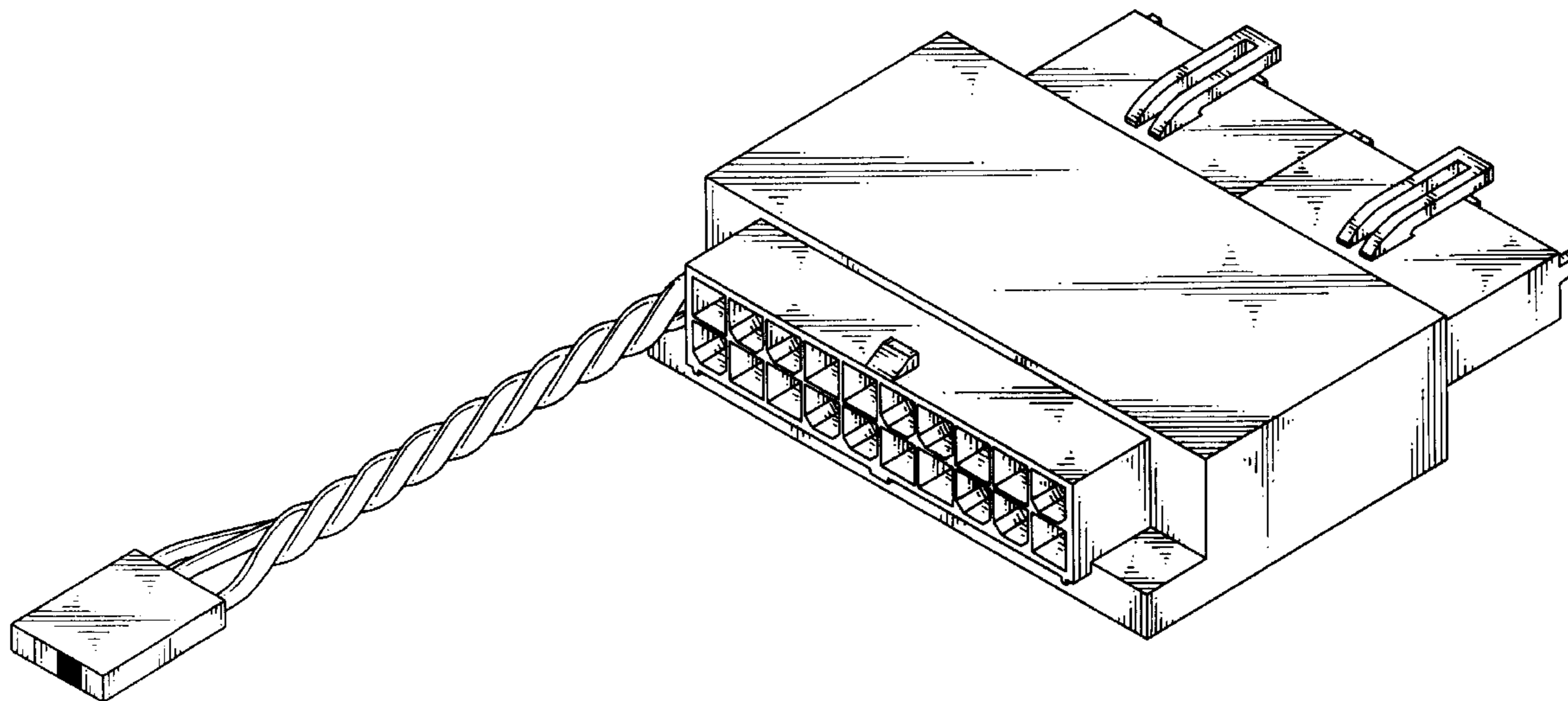
FIG. 7 is a front elevational view thereof.

[56] References Cited

U.S. PATENT DOCUMENTS

4,401,355 8/1983 Young 439/607

1 Claim, 7 Drawing Sheets



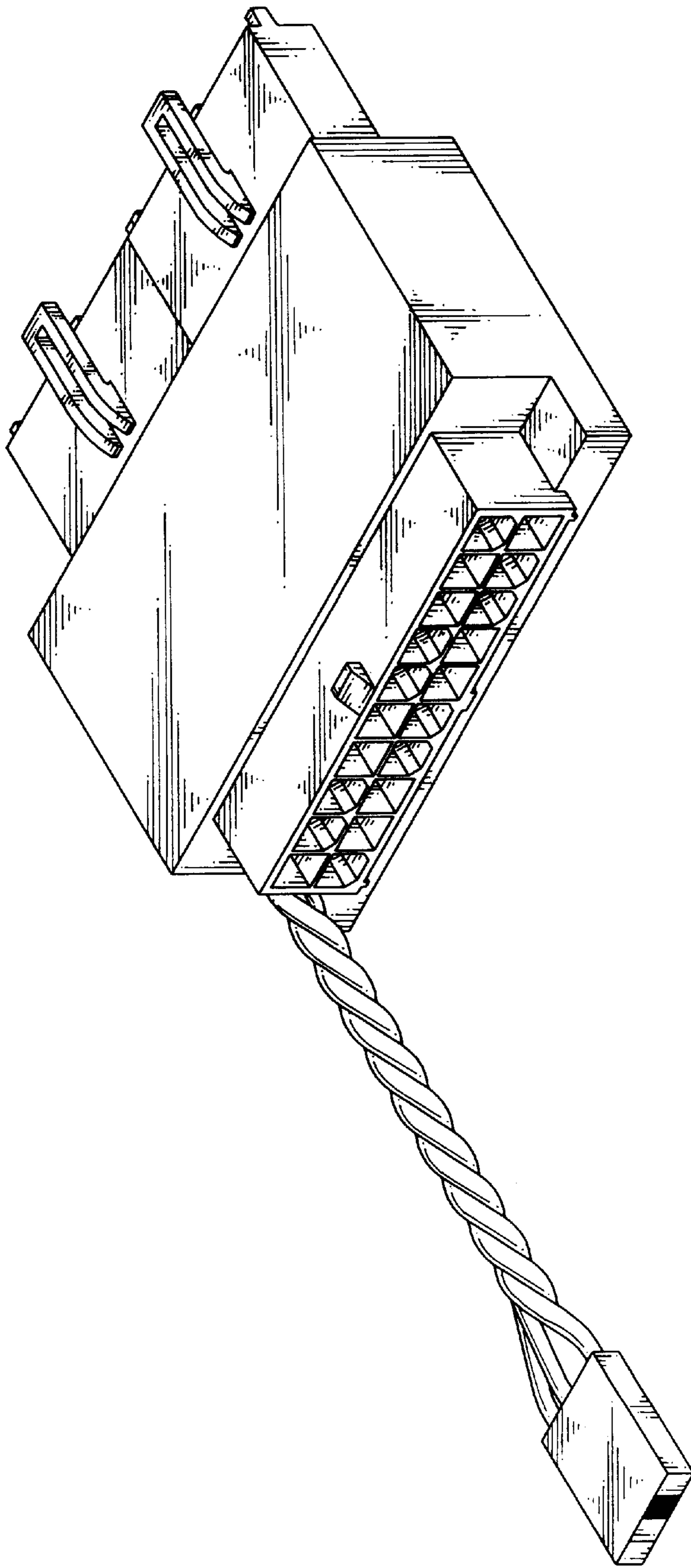


FIG.1

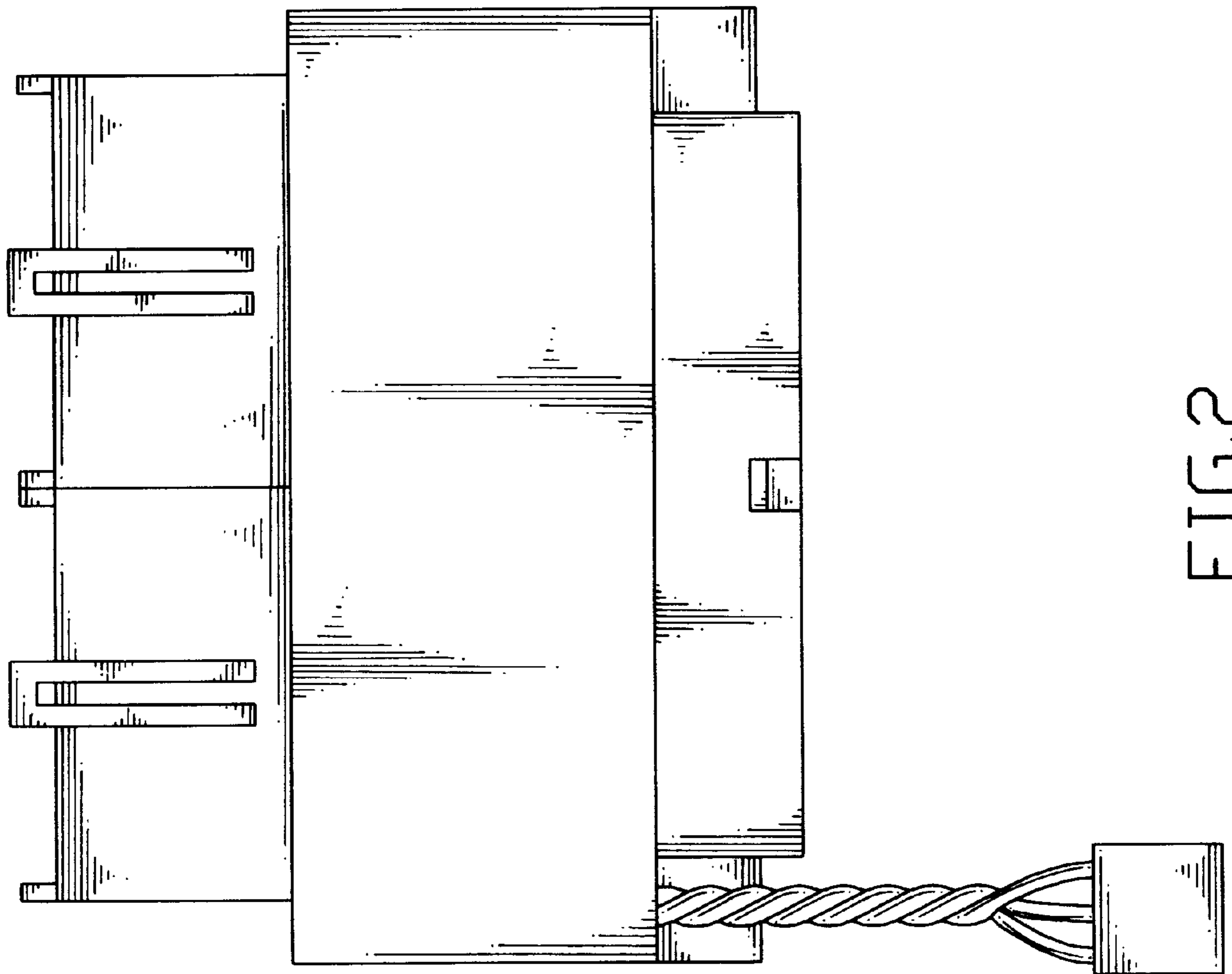


FIG. 2

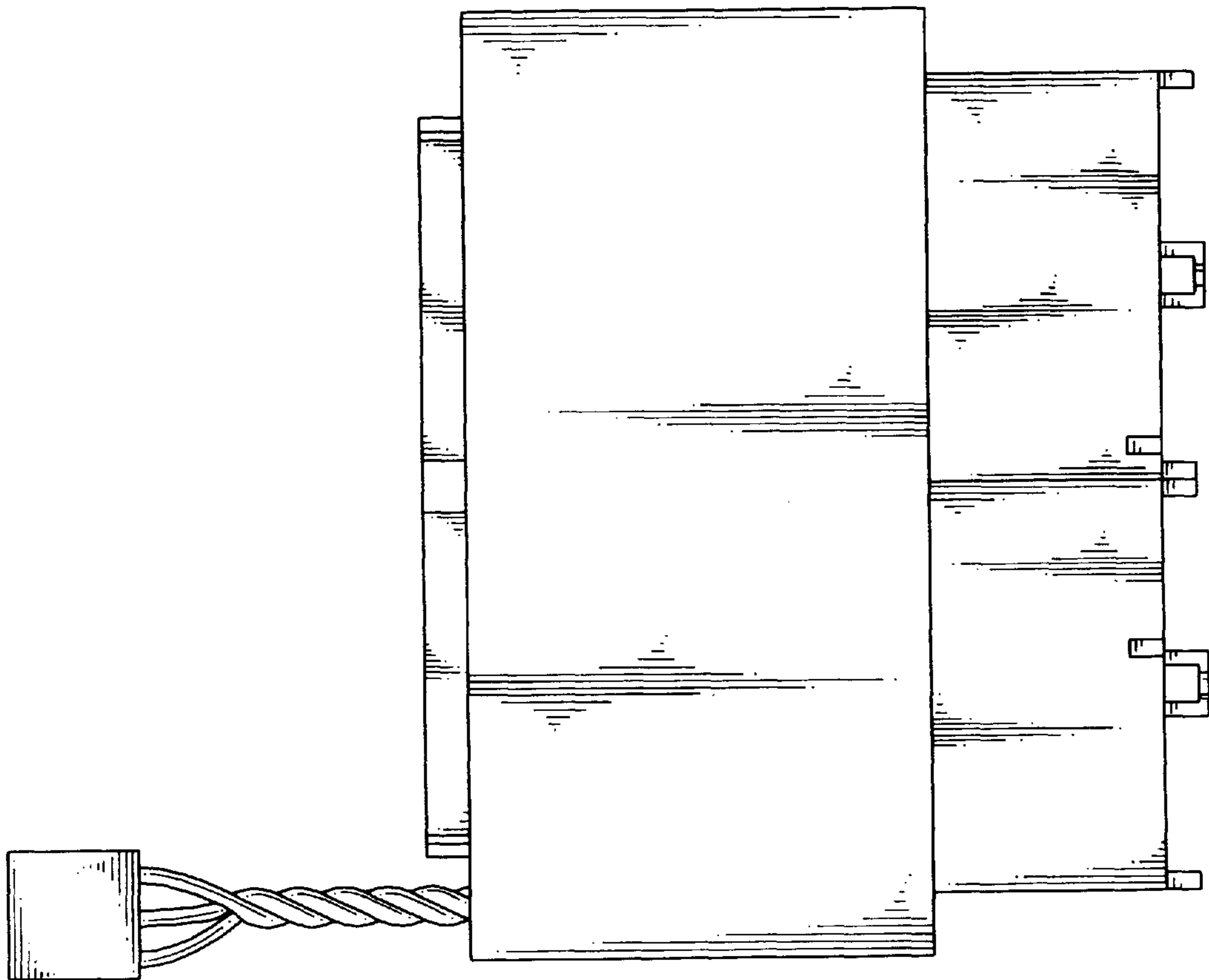


FIG. 3

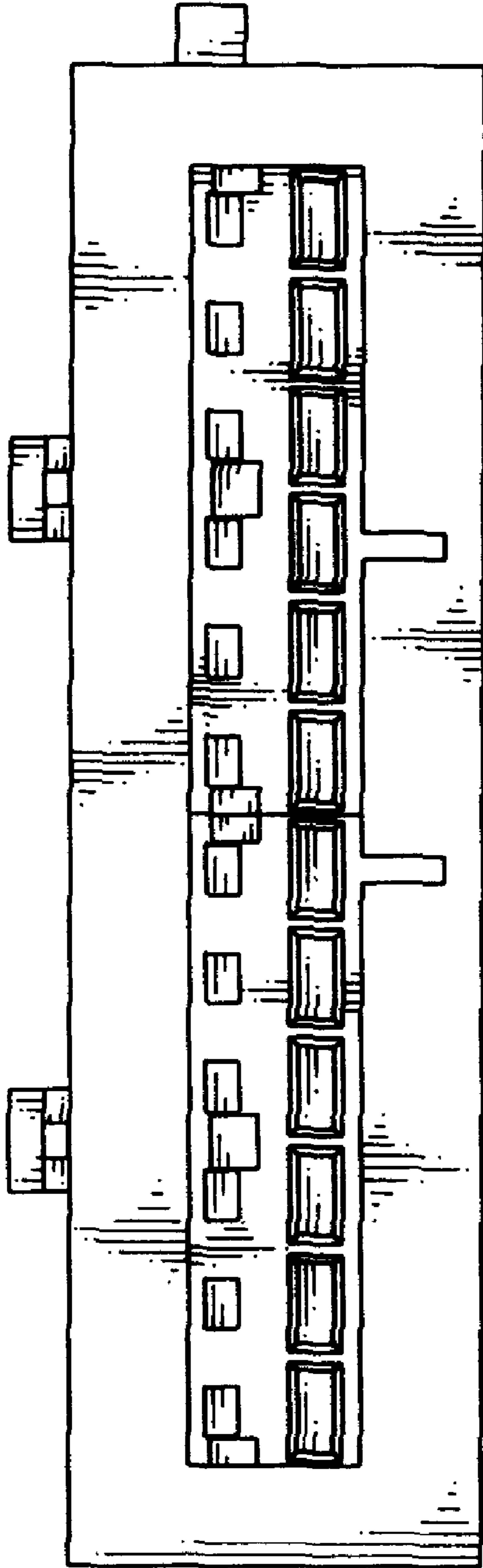


FIG. 4

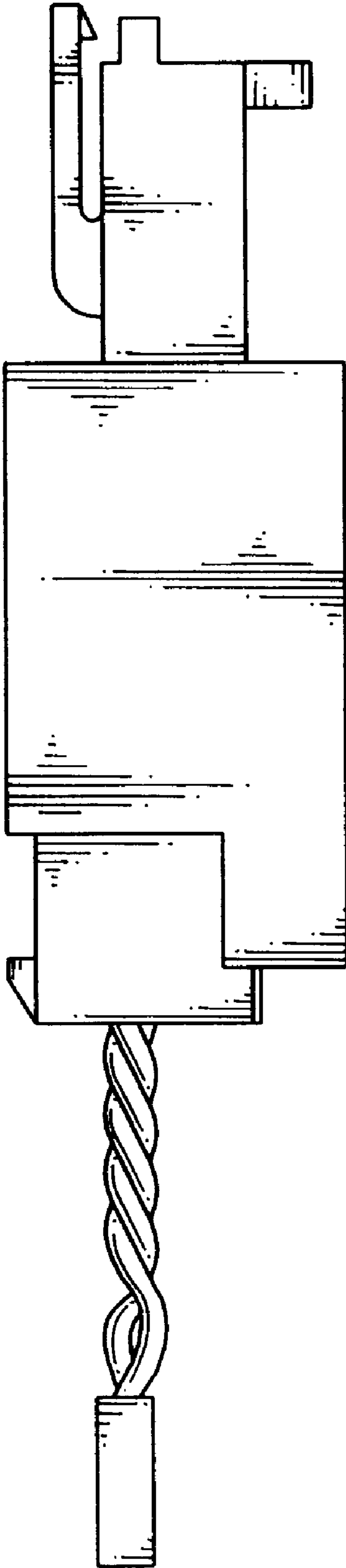


FIG. 5

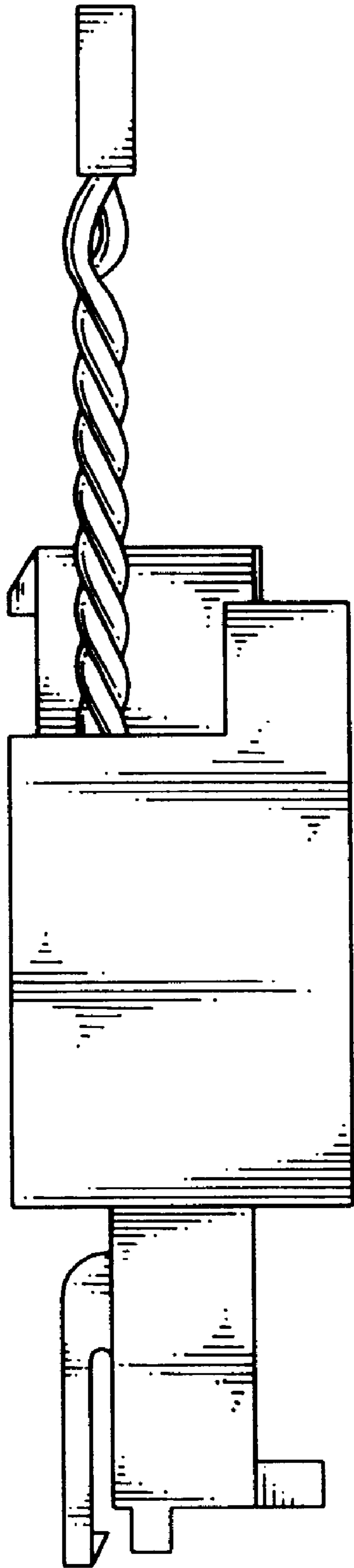


FIG. 6

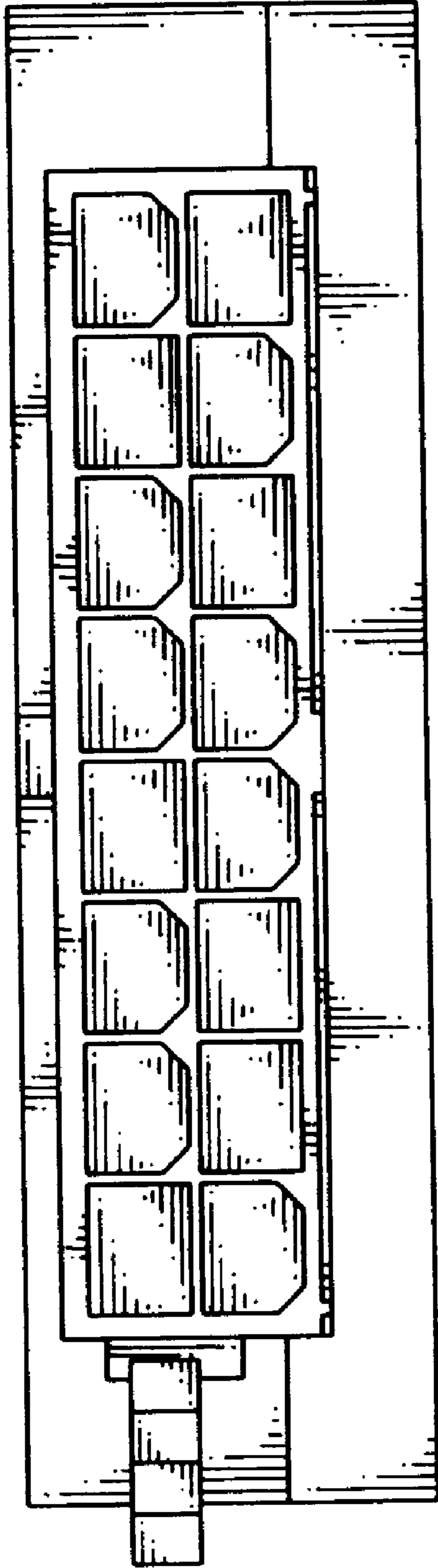


FIG. 7