



US00D420644S

United States Patent [19]

Nemser et al.

[11] Patent Number: Des. 420,644

[45] Date of Patent: ** Feb. 15, 2000

[54] TWELVE CHANNEL AUDIO CABLE CONNECTOR

[75] Inventors: Benjamin L. Nemser, Miami Beach; Daniel Ritts, North Miami, both of Fla.

[73] Assignee: Nema Electronics International, Inc., North Miami, Fla.

[**] Term: 14 Years

[21] Appl. No.: 29/098,122

[22] Filed: Dec. 22, 1998

[51] LOC (7) Cl. 13-03

[52] U.S. Cl. D13/146

[58] Field of Search D13/133, 146, D13/147; 379/399; 439/359, 362, 369, 372, 277; 174/88 C

[56] References Cited

U.S. PATENT DOCUMENTS

D. 333,511	2/1993	Mikiya et al.	D23/262
D. 399,189	10/1998	Lin	D13/146
3,041,574	6/1962	Cornell	439/277
3,344,227	9/1967	Gilmartin et al.	439/277
4,218,110	8/1980	Giannaula et al.	439/323
4,585,287	4/1986	Ramsey et al.	439/588
4,795,360	1/1989	Gilmartin et al.	174/88 C
4,854,893	8/1989	Morris	439/578

OTHER PUBLICATIONS

GEP Co. Product spec. DT12 Connector circa 1998 (2 pgs.).
ITT Cannon Product Spec. K and RK Series Connectors, circa 1998 (2 pgs.).

Litton Product Spec. VSC, VDS-128, VKC Series and VEAM Series Connectors, Jun., 1990 (3 pgs.).

Primary Examiner—Joel Sincavage

Attorney, Agent, or Firm—Robert C. Kain, Jr.

[57] CLAIM

We claim the ornamental design for the twelve channel audio cable connector, as shown and described.

DESCRIPTION

FIG. 1 is a perspective view of the twelve channel audio cable connector;

FIG. 2 is a right side view of the connector shown in FIG. 1;

FIG. 3 is a left side view of the connector shown in FIG. 1;

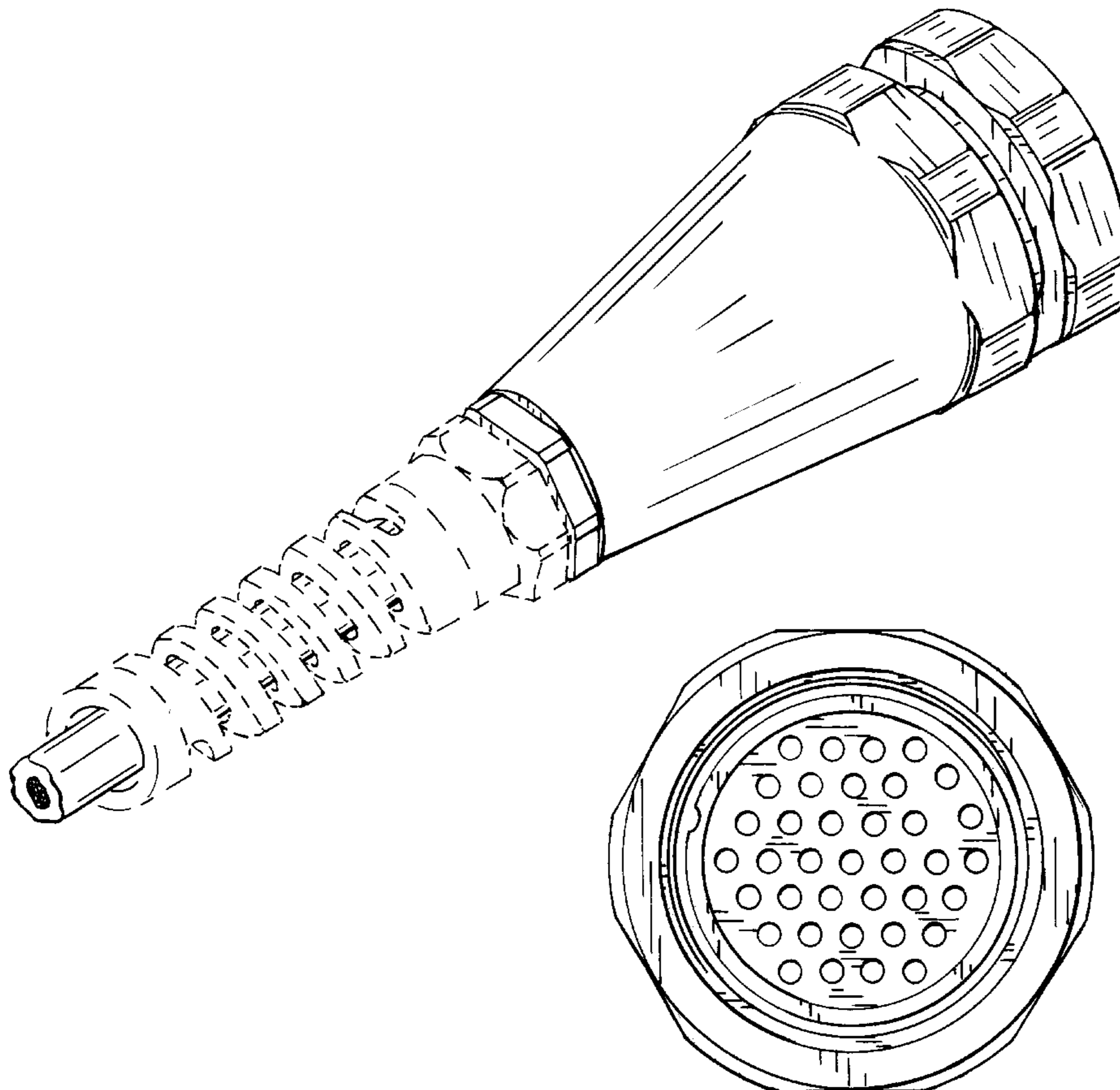
FIG. 4 is a front view of the connector shown in FIG. 1;

FIG. 5 is a top view of the connection shown in FIG. 1;

FIG. 6 is a bottom view of the connection shown in FIG. 1; and,

FIG. 7 is a rear view of the connection shown in FIG. 1. The broken line showing throughout the drawing figures is included for the purpose of illustrating environmental structure only and forms no part of the claimed design.

1 Claim, 7 Drawing Sheets



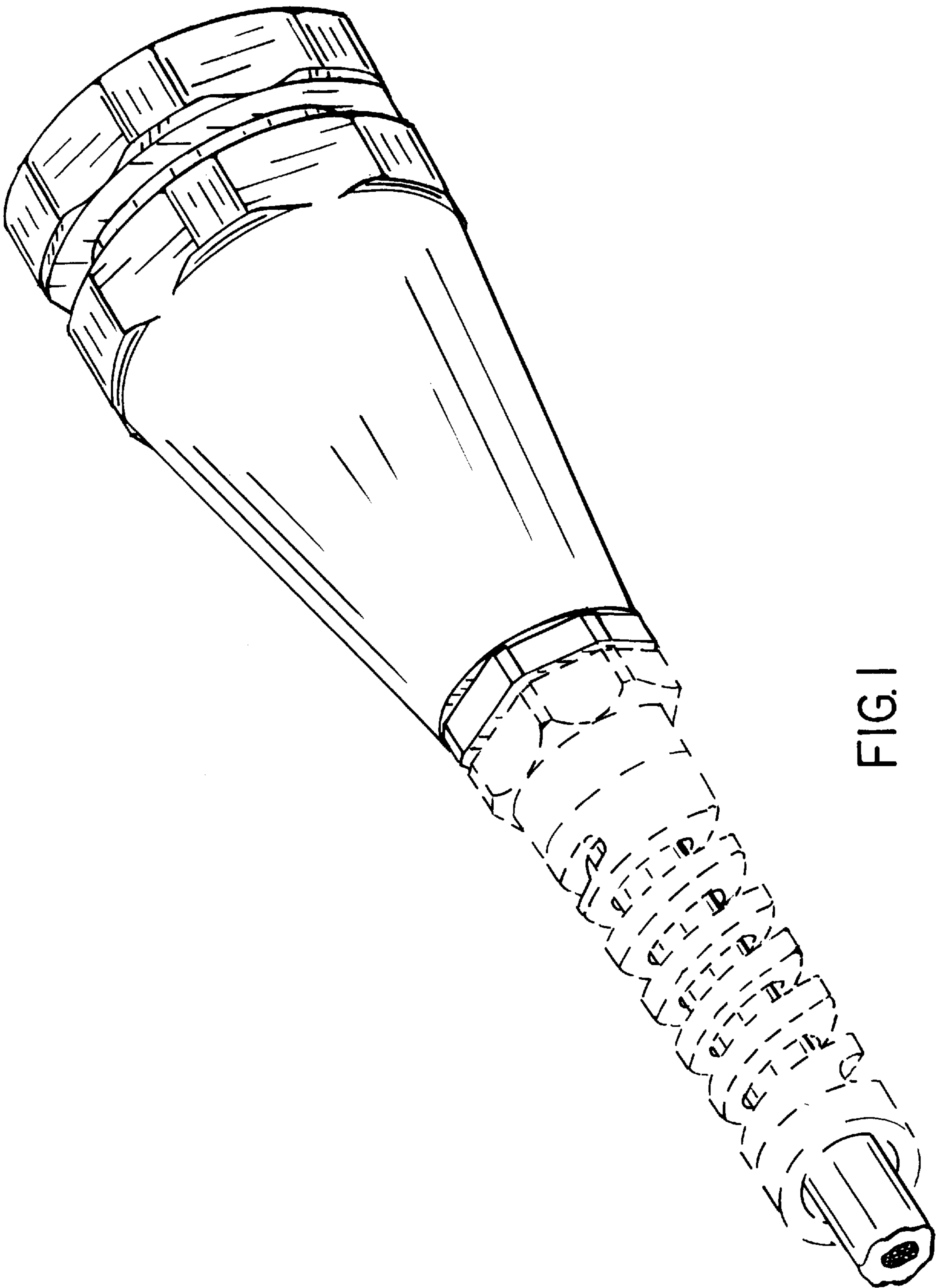


FIG. 1

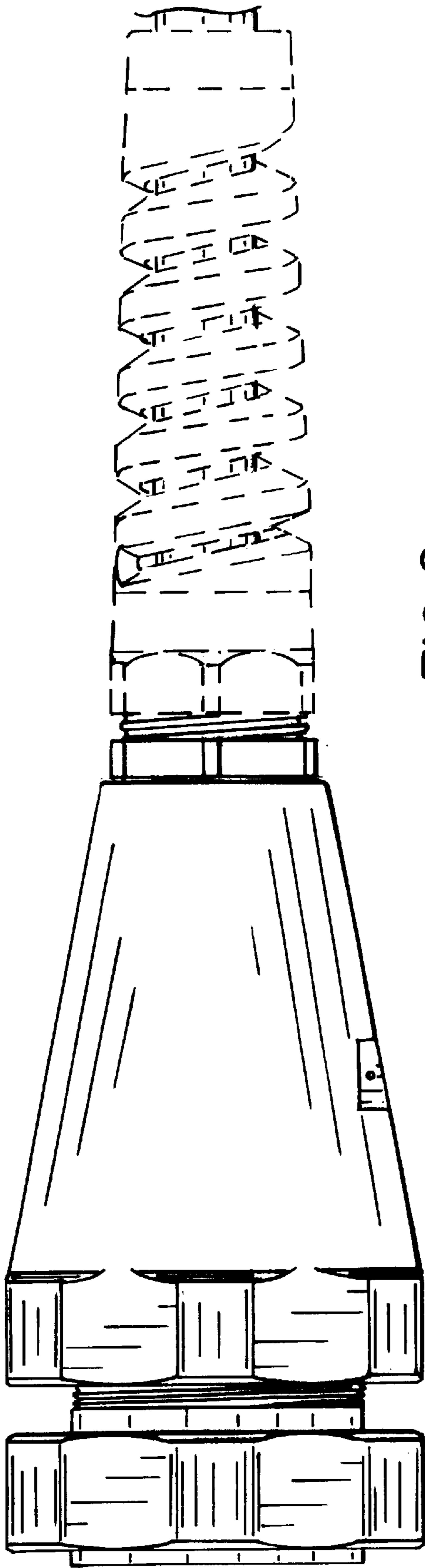


FIG. 2

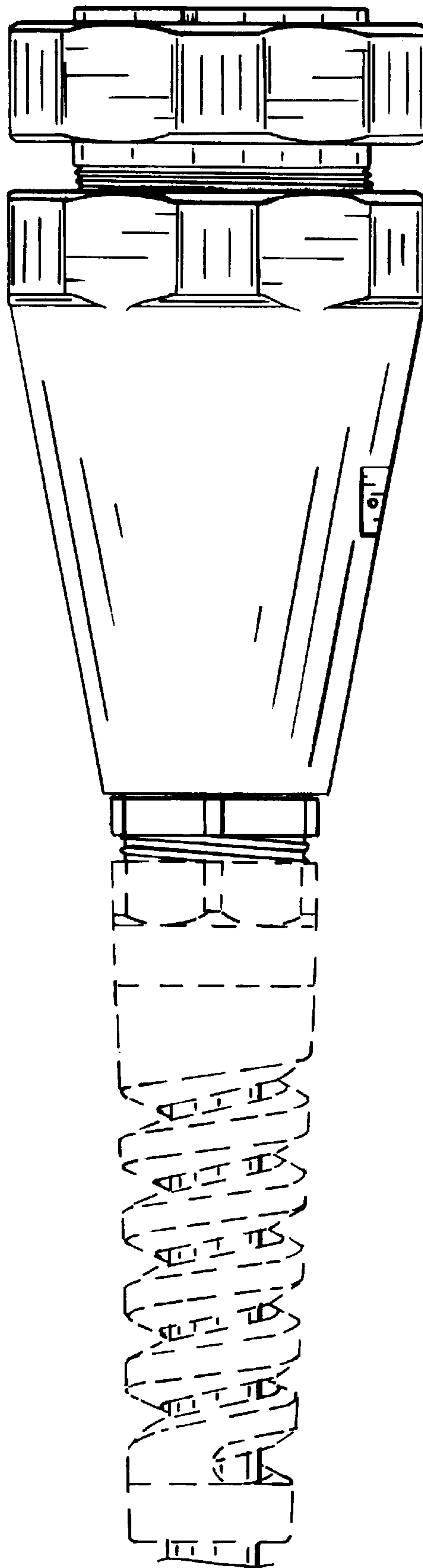


FIG. 3

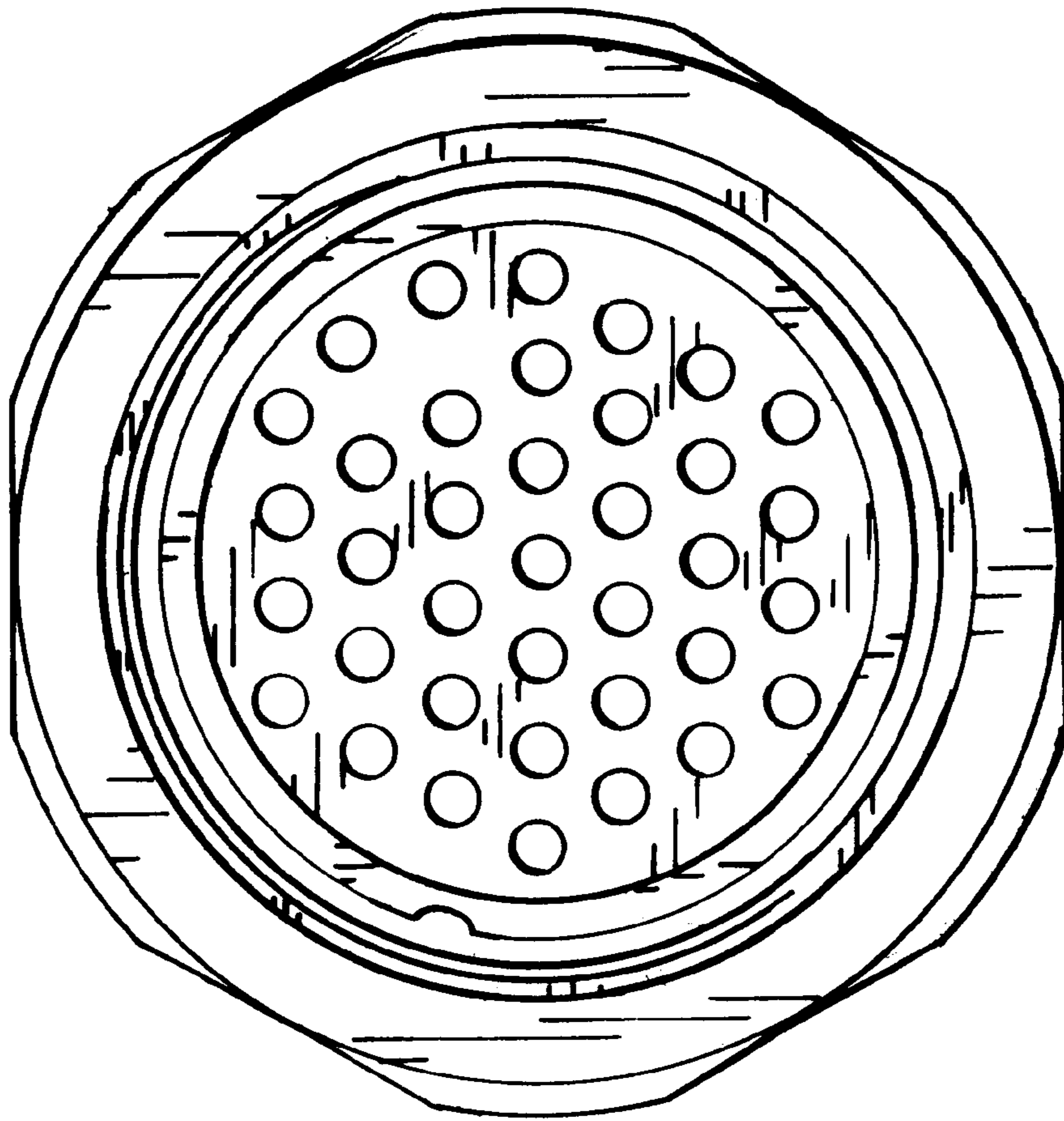


FIG. 4

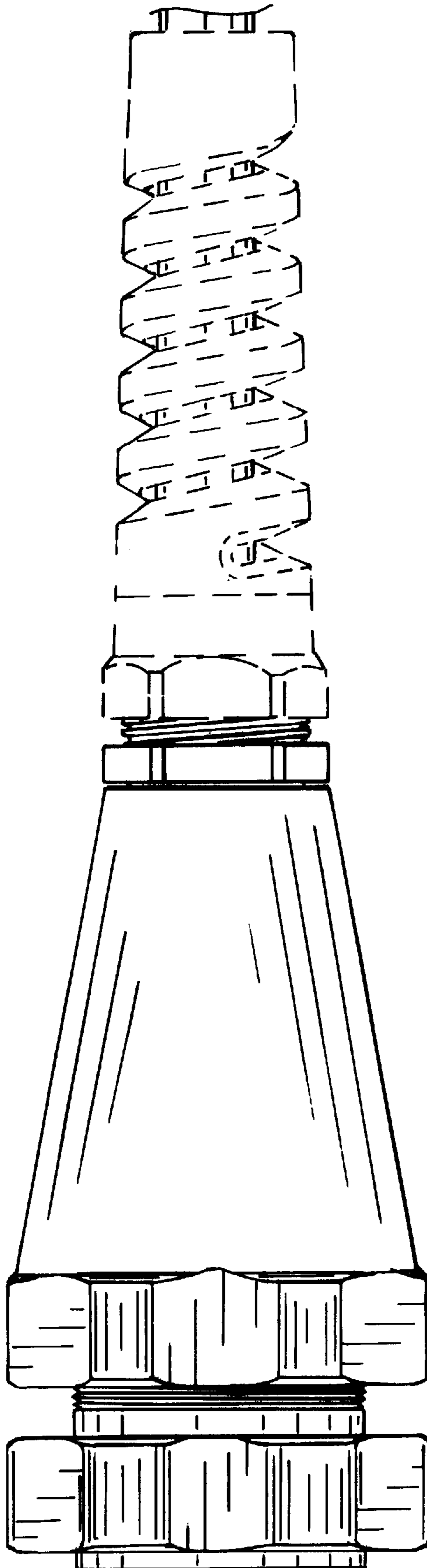


FIG. 5

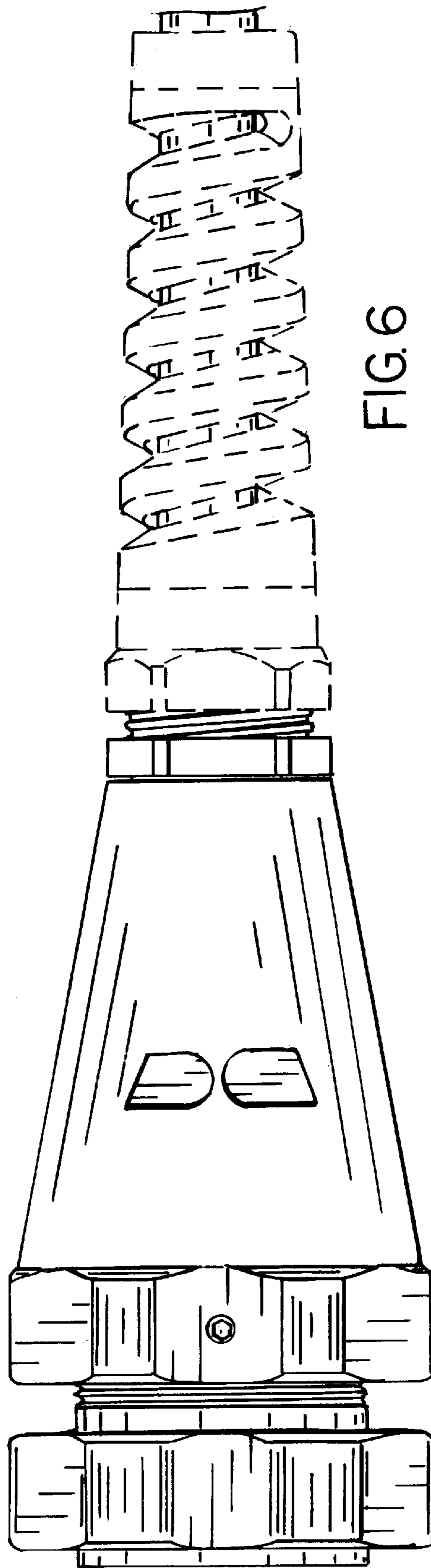


FIG. 6

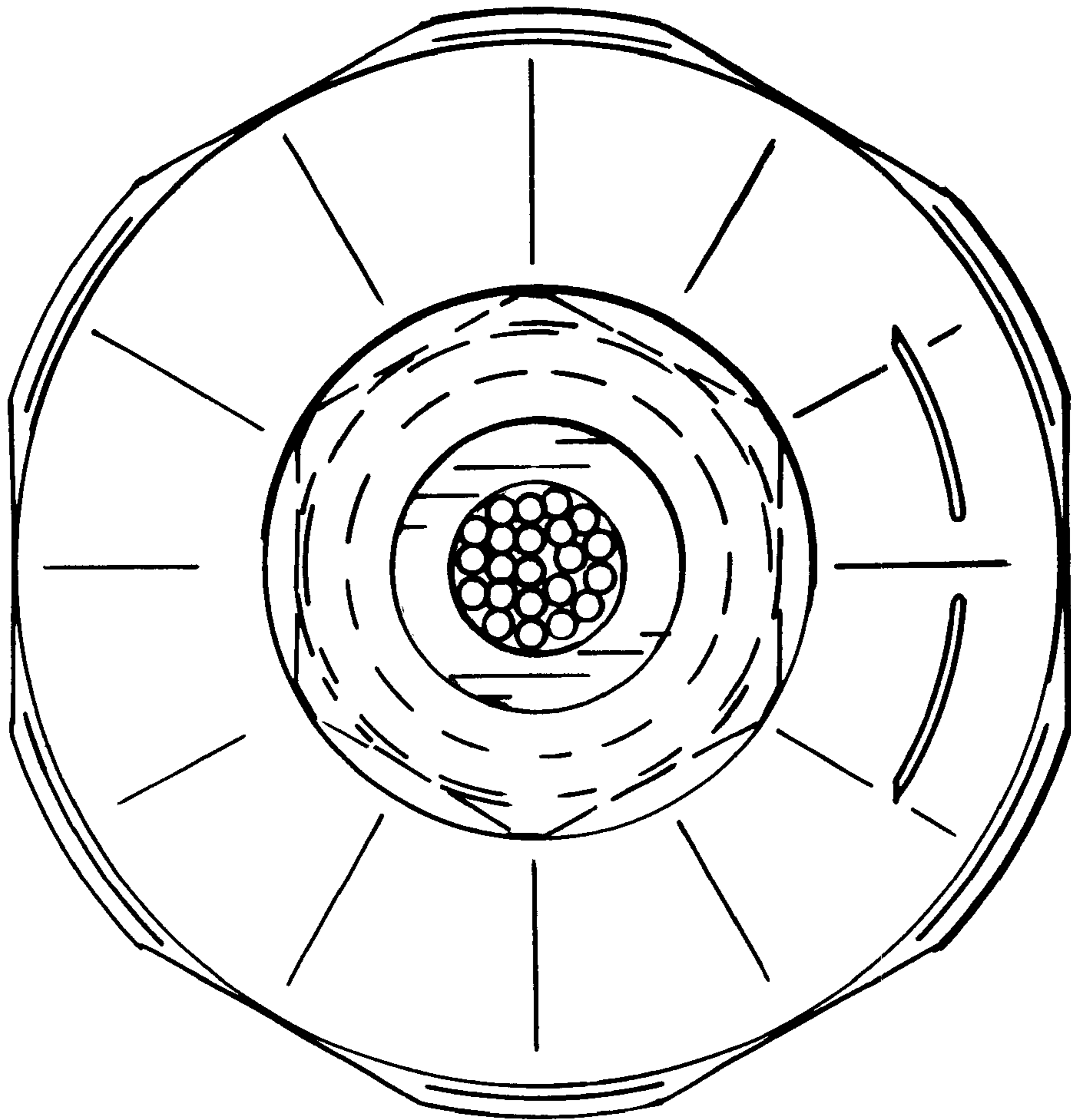


FIG. 7