



US00D420642S

United States Patent [19] Wu

[11] **Patent Number: Des. 420,642**

[45] **Date of Patent: ** Feb. 15, 2000**

[54] **ELECTRICAL CONNECTOR**

[75] Inventor: **Kun-Tsan Wu, Tu-Chen, Taiwan**

[73] Assignee: **Hon Hai Precision Ind. Co., Ltd.,
Taipei Hsien, Taiwan**

[**] Term: **14 Years**

[21] Appl. No.: **29/103,287**

[22] Filed: **Apr. 12, 1999**

[30] **Foreign Application Priority Data**

Nov. 20, 1998 [TW] Taiwan 87308484

[51] **LOC (7) Cl.** **13-03**

[52] **U.S. Cl.** **D13/133**

[58] **Field of Search** D13/133, 146,
D13/147; 439/63, 83, 607, 608, 668, 669

[56] **References Cited**

U.S. PATENT DOCUMENTS

4,493,526 1/1985 Masuda 439/668

5,092,795 3/1992 Kitagawa 439/668
5,338,215 8/1994 Lee et al. 439/607 X
5,919,052 7/1999 Ho 439/83

Primary Examiner—Joel Sincavage
Attorney, Agent, or Firm—Wei Te Chung

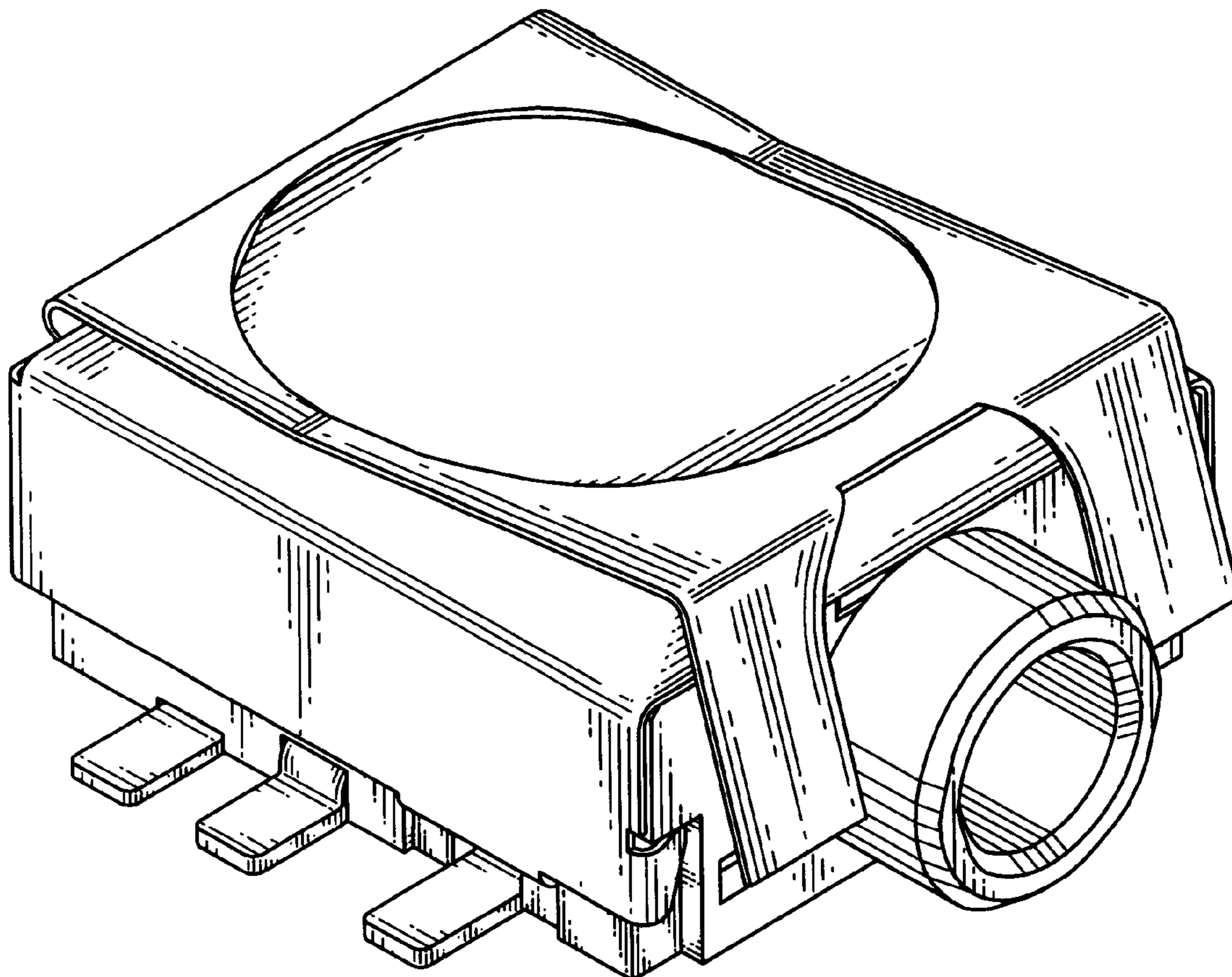
[57] **CLAIM**

The ornamental design for an electrical connector, as shown.

DESCRIPTION

FIG. 1 is a perspective view of an electrical connector showing my new design;
FIG. 2 is a front elevational view thereof;
FIG. 3 is a rear elevational view thereof;
FIG. 4 is a left side elevational view thereof;
FIG. 5 is a right side elevational view thereof;
FIG. 6 is a top plan view thereof; and,
FIG. 7 is a bottom plan view thereof.

1 Claim, 7 Drawing Sheets



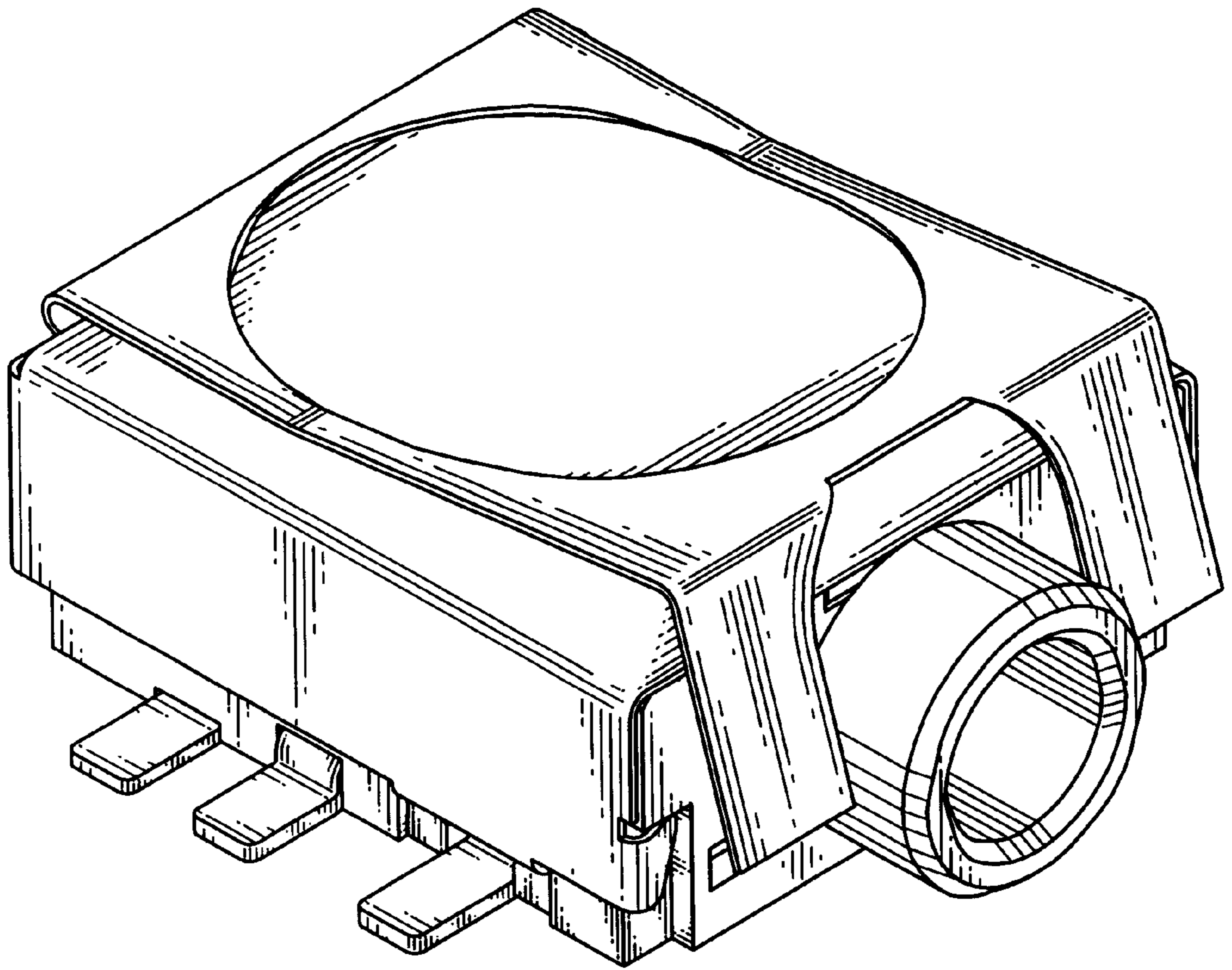


FIG. 1

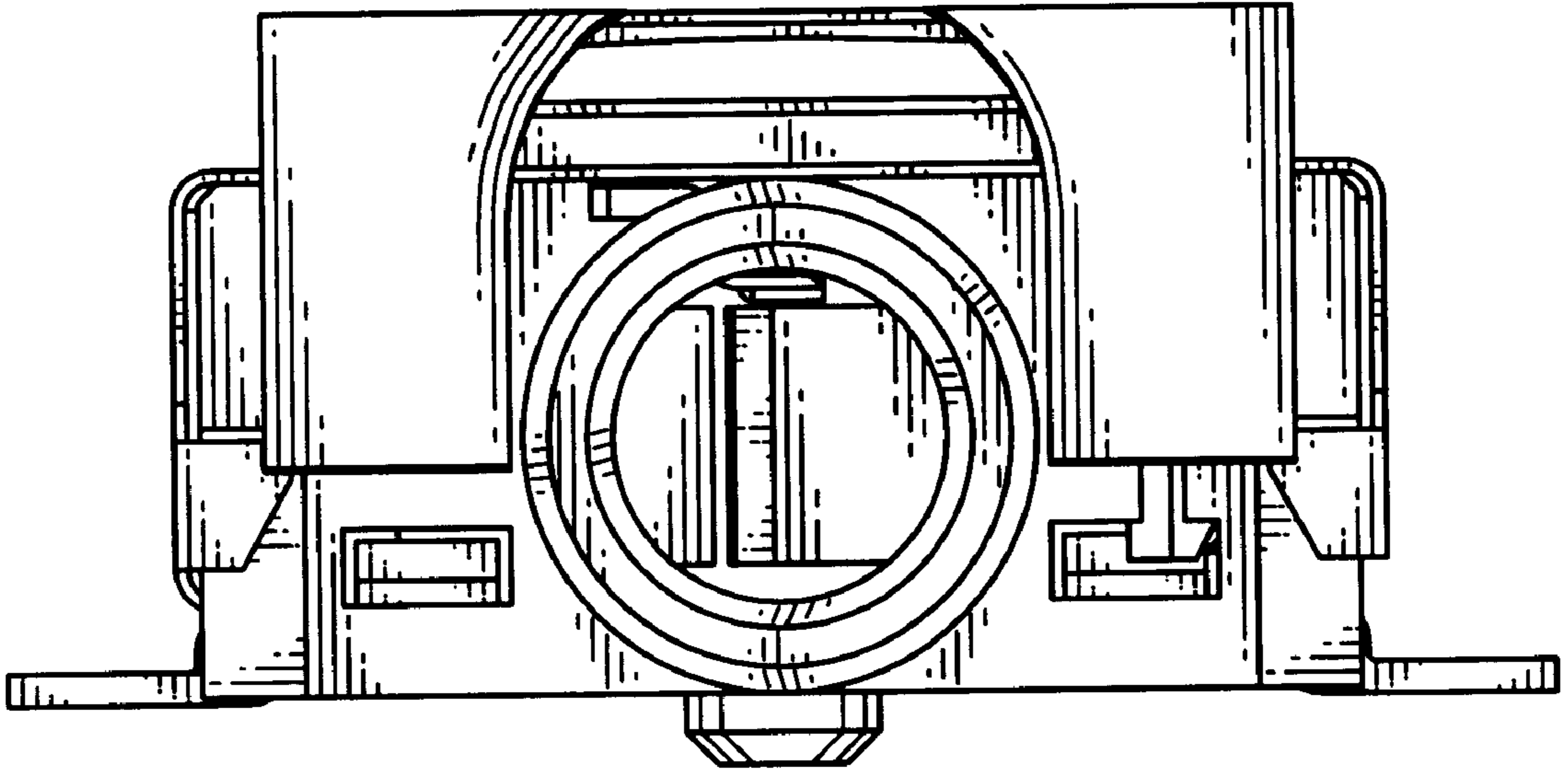


FIG. 2

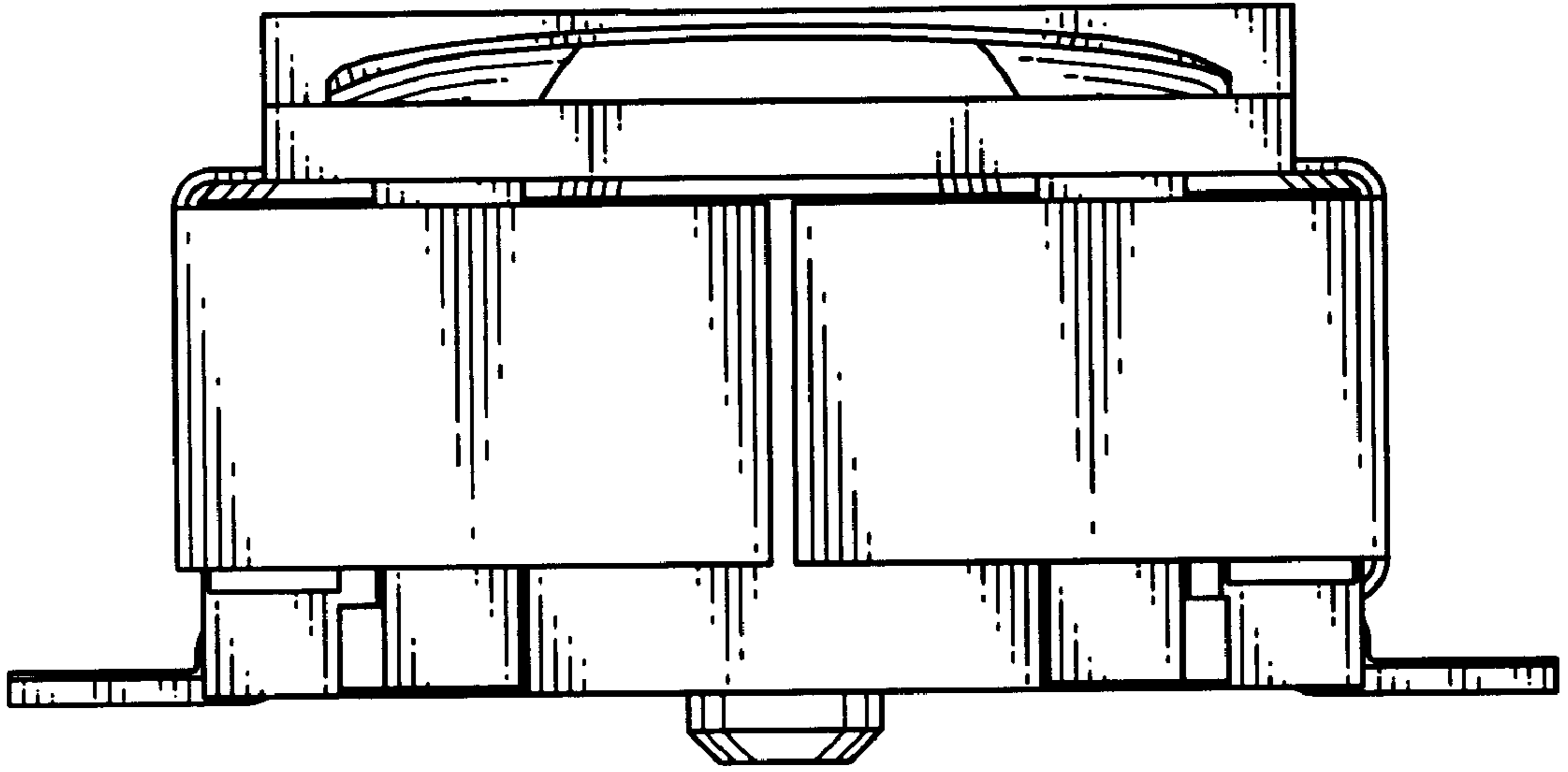


FIG. 3

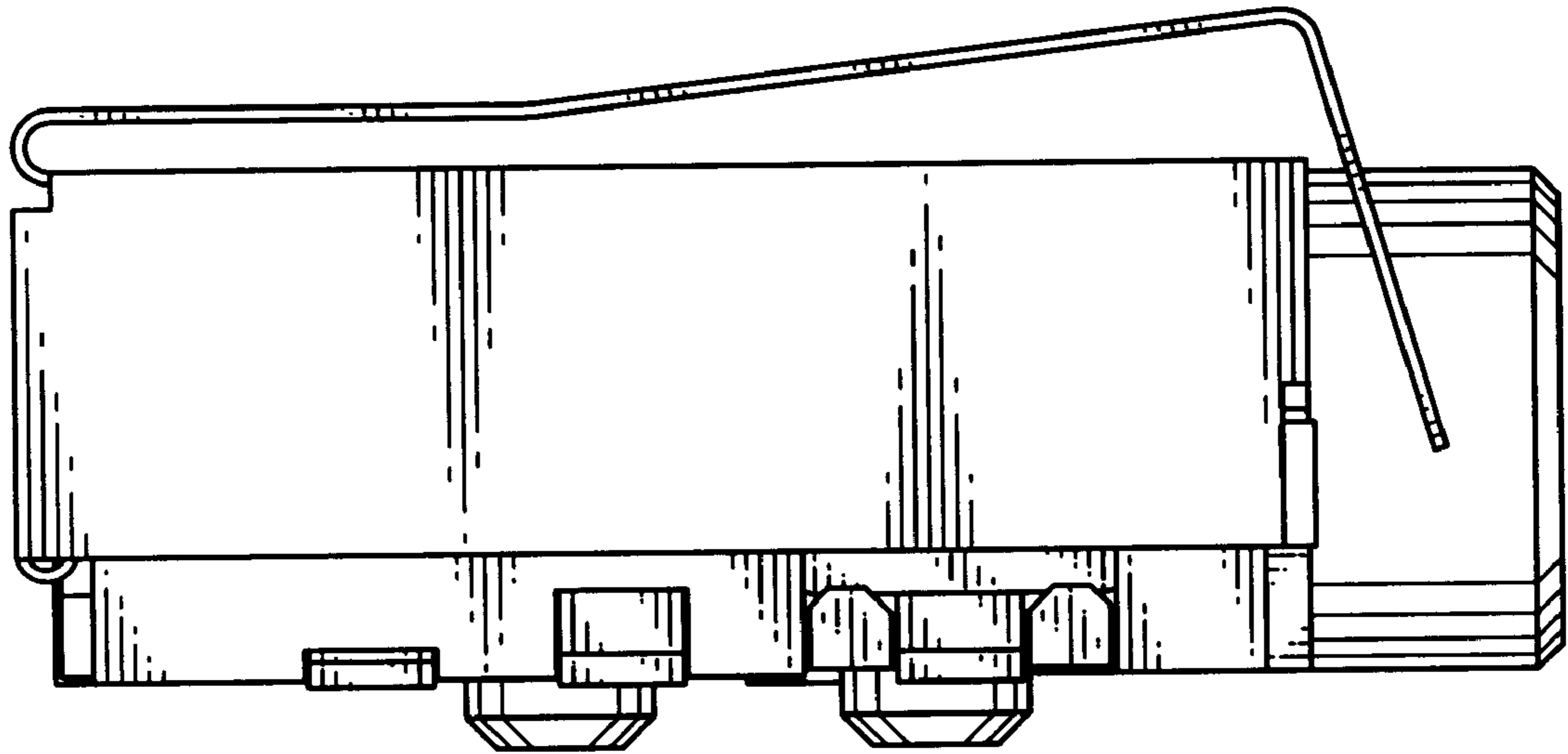


FIG. 4

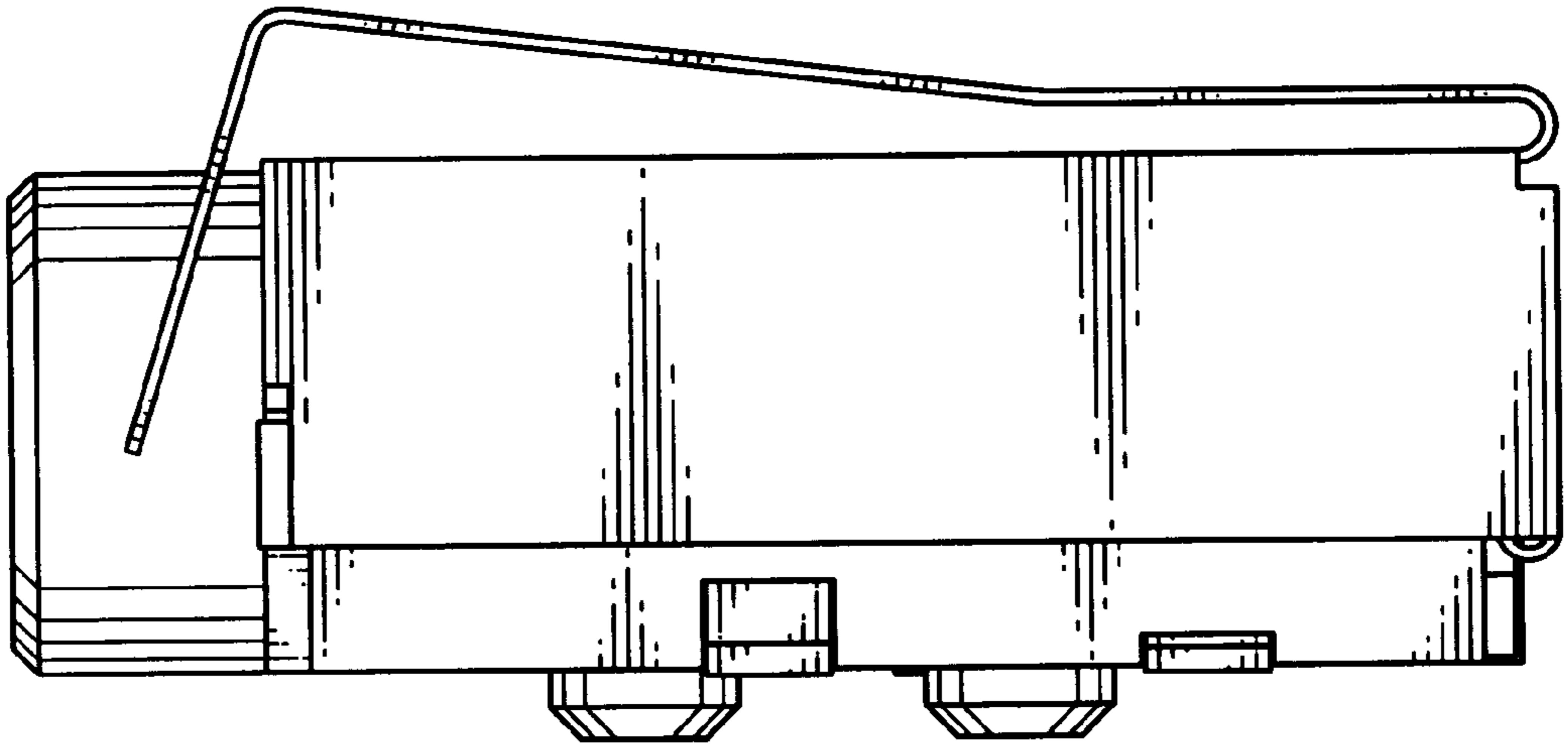


FIG. 5

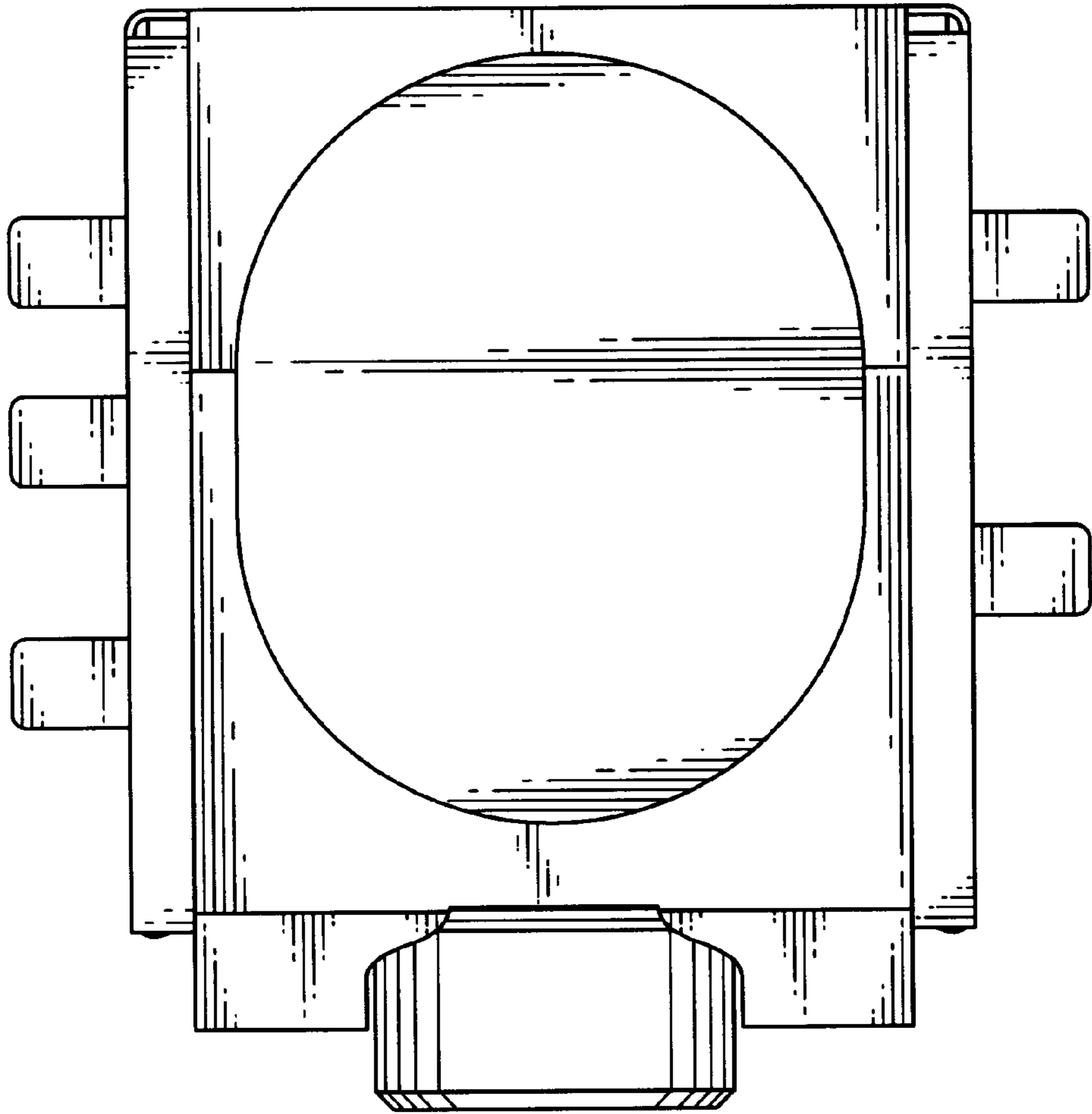


FIG. 6

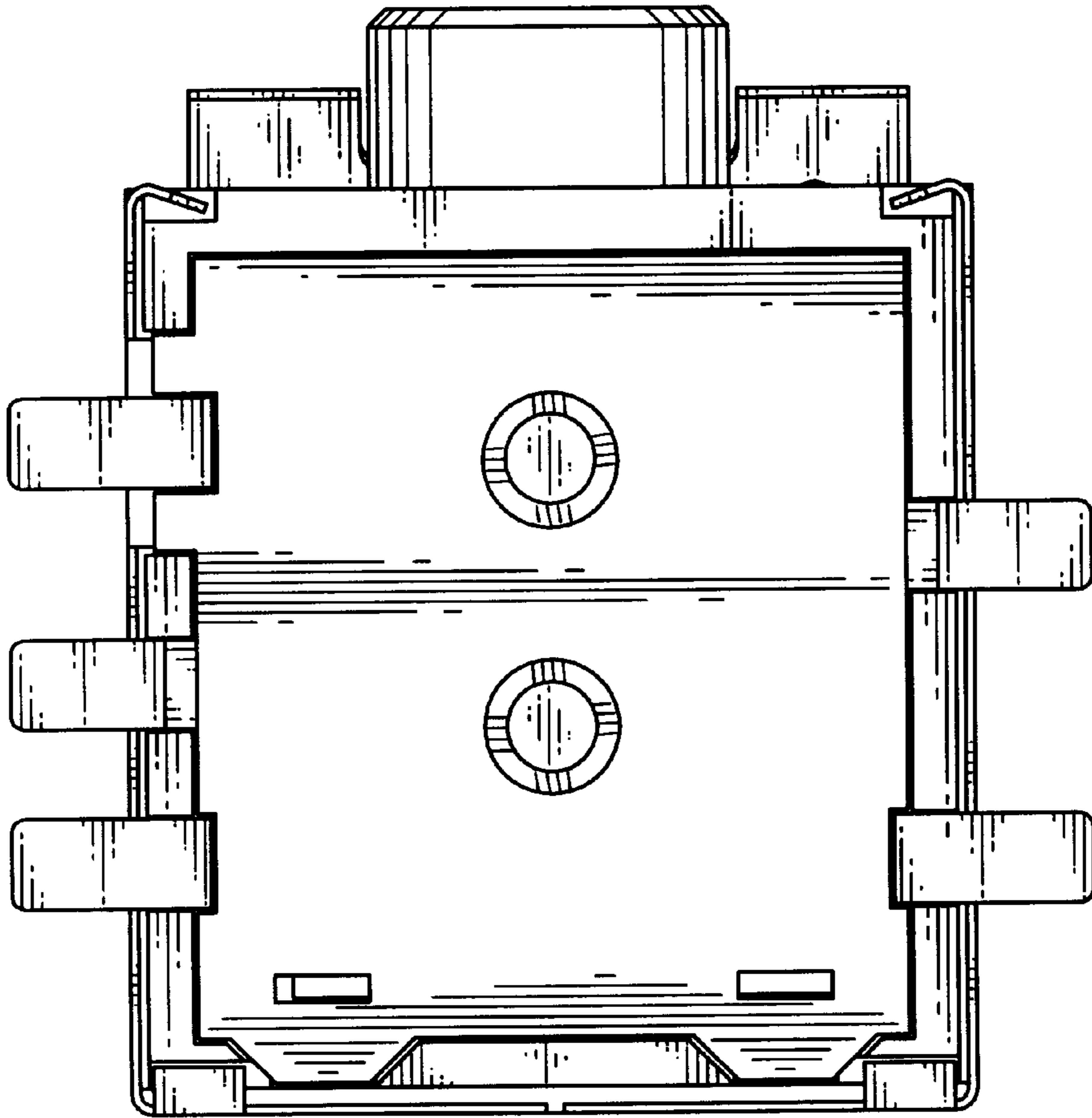


FIG. 7