



US00D420633S

United States Patent [19]

[11] **Patent Number: Des. 420,633**

Daniels et al.

[45] **Date of Patent: ** Feb. 15, 2000**

[54] MOLDED WINTERFRONT GRILL

FOREIGN PATENT DOCUMENTS

[75] Inventors: **John A. Daniels**, Grayslake; **Stephen R. Hardwick**, Des Plaines, both of Ill.

0 558 384 A1 9/1993 European Pat. Off. .
255149 10/1927 Italy .
2 131 150 6/1984 United Kingdom .

[73] Assignee: **DFM Corporation**, Indianola, Iowa

Primary Examiner—Melody N. Brown
Attorney, Agent, or Firm—Zarley, McKee, Thomte, Voorhees & Sease

[**] Term: **14 Years**

[21] Appl. No.: **29/085,177**

[57] CLAIM

[22] Filed: **Mar. 17, 1998**

We claim the ornamental design for a molded winterfront grill, as shown and described.

[51] **LOC (7) Cl.** **12-16**

DESCRIPTION

[52] **U.S. Cl.** **D12/163**

[58] **Field of Search** D12/163, 173,
D12/96; 180/68.6, 89.1, 89.12, 89.14

FIG. 1 is perspective view of the molded winterfront grill as used with a truck, shown in dashed lines;

FIG. 2 is an enlarged perspective view of the molded winterfront grill of FIG. 1;

FIG. 3 is a front elevational view of the molded winterfront grill;

FIG. 4 is a top elevational view of the molded winterfront grill;

FIG. 5 is a right side elevational view of the molded winterfront grill;

FIG. 6 is a sectional view of the molded winterfront grill taken along line 6—6 of FIG. 3;

FIG. 7 is a sectional view of the molded winterfront grill taken along line 7—7 of FIG. 3; and,

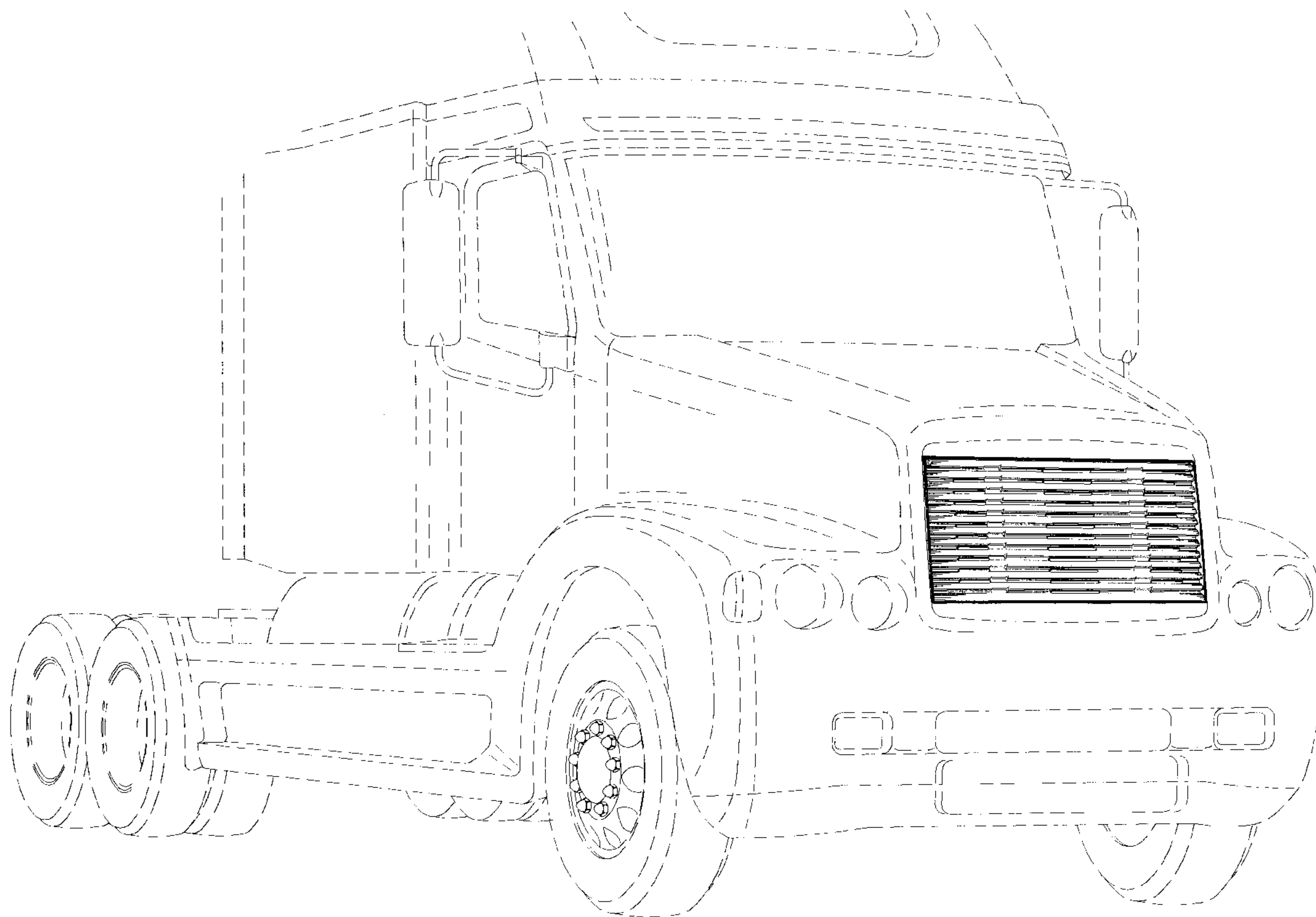
FIG. 8 is a sectional view of the molded winterfront grill taken along line 8—8 of FIG. 3.

[56] References Cited

U.S. PATENT DOCUMENTS

Re. 34,907	4/1995	Gross	180/68.6
D. 239,823	5/1976	Juillet	D12/96
D. 305,746	1/1990	Allendorph	D12/96
D. 307,878	5/1990	Lechner	D12/96
D. 335,272	5/1993	Allendorph et al.	D12/173
D. 406,553	3/1999	Hellhake et al.	D12/96
1,345,283	6/1920	Thomas	.
1,950,792	3/1934	Green	.
3,888,327	6/1975	Reece	180/68.6
4,523,657	6/1985	Kooyumjian	.
4,883,139	11/1989	Gross	180/68.6
4,916,902	4/1990	Pratt et al.	60/599

1 Claim, 4 Drawing Sheets



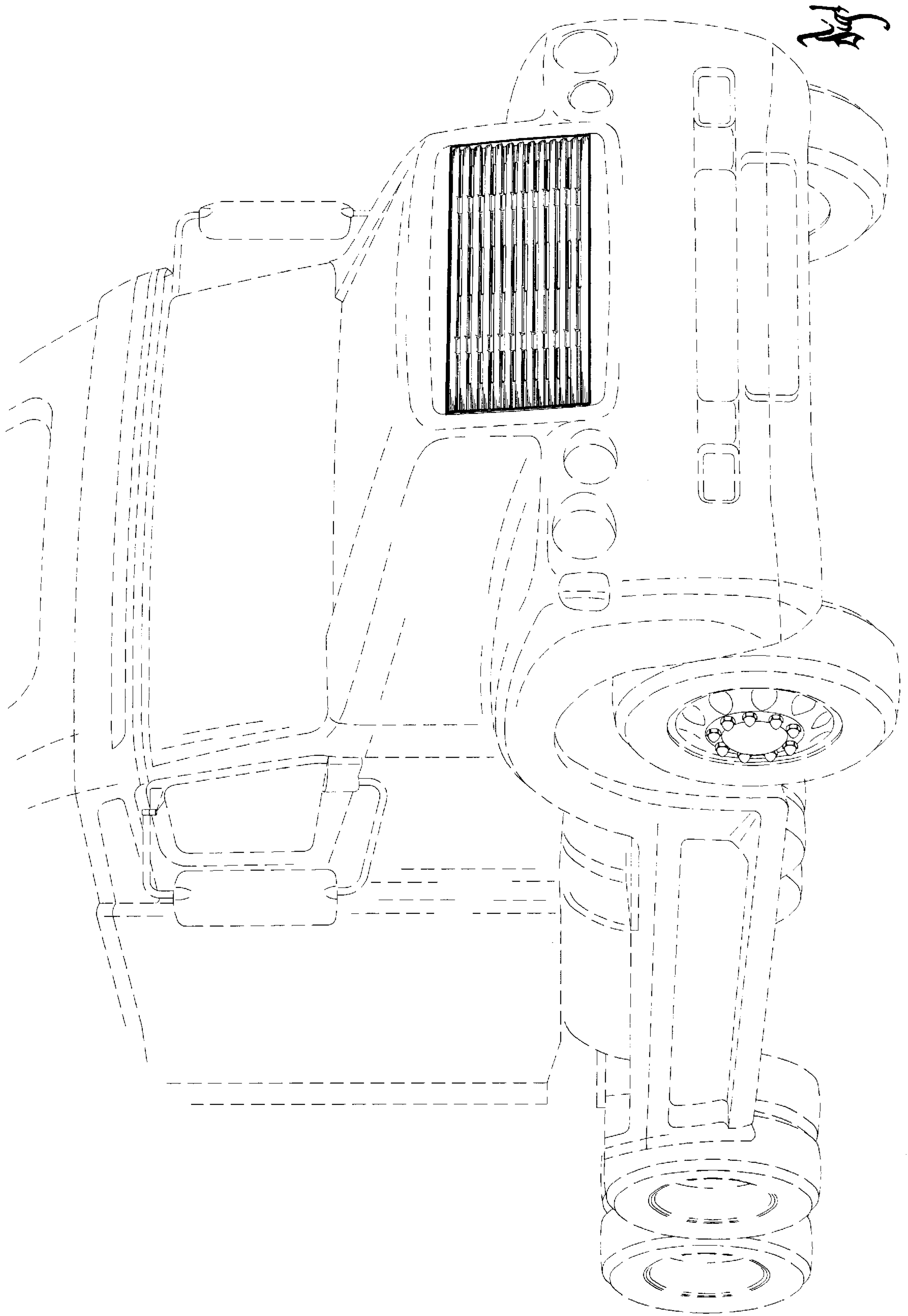
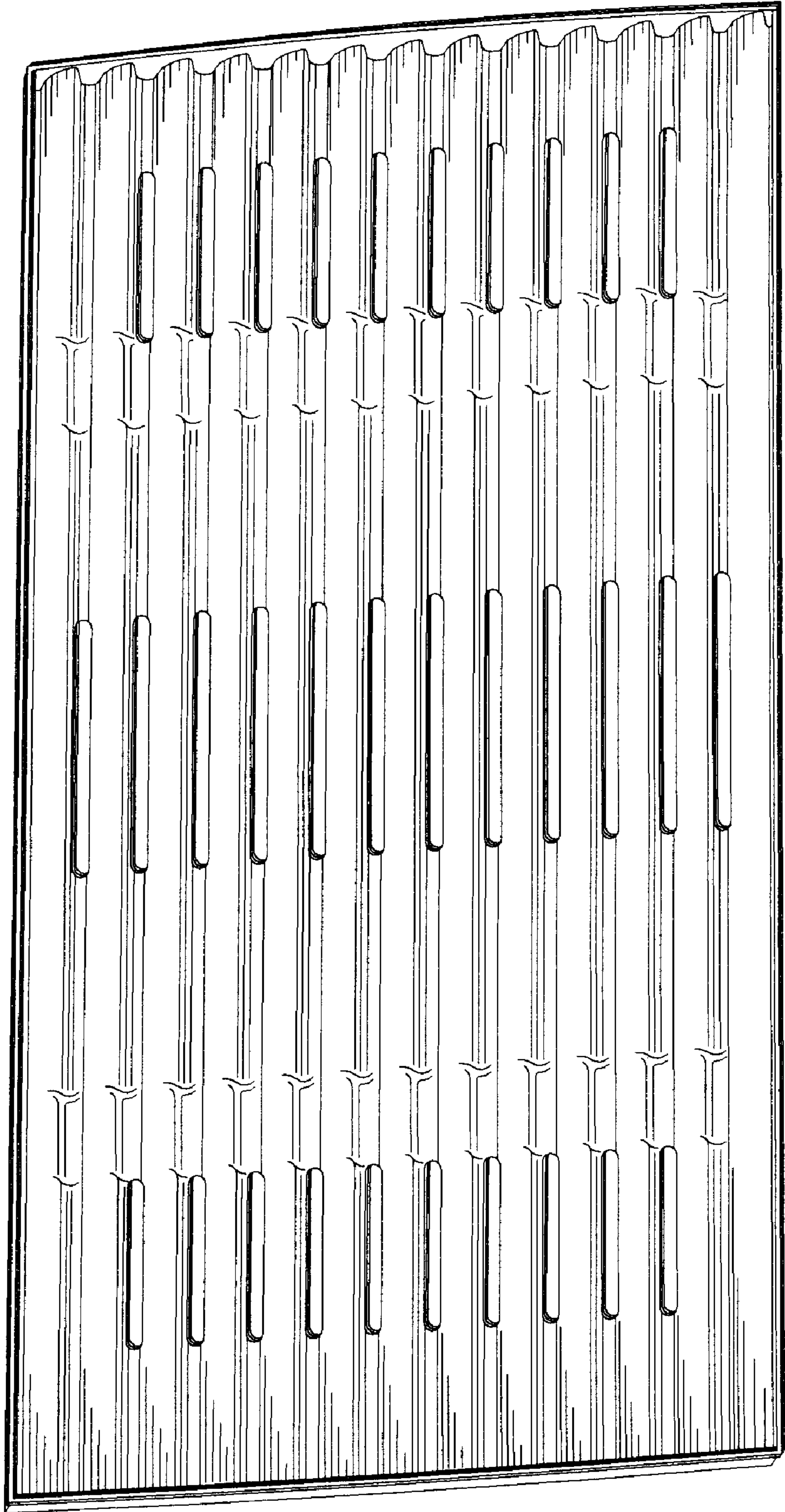
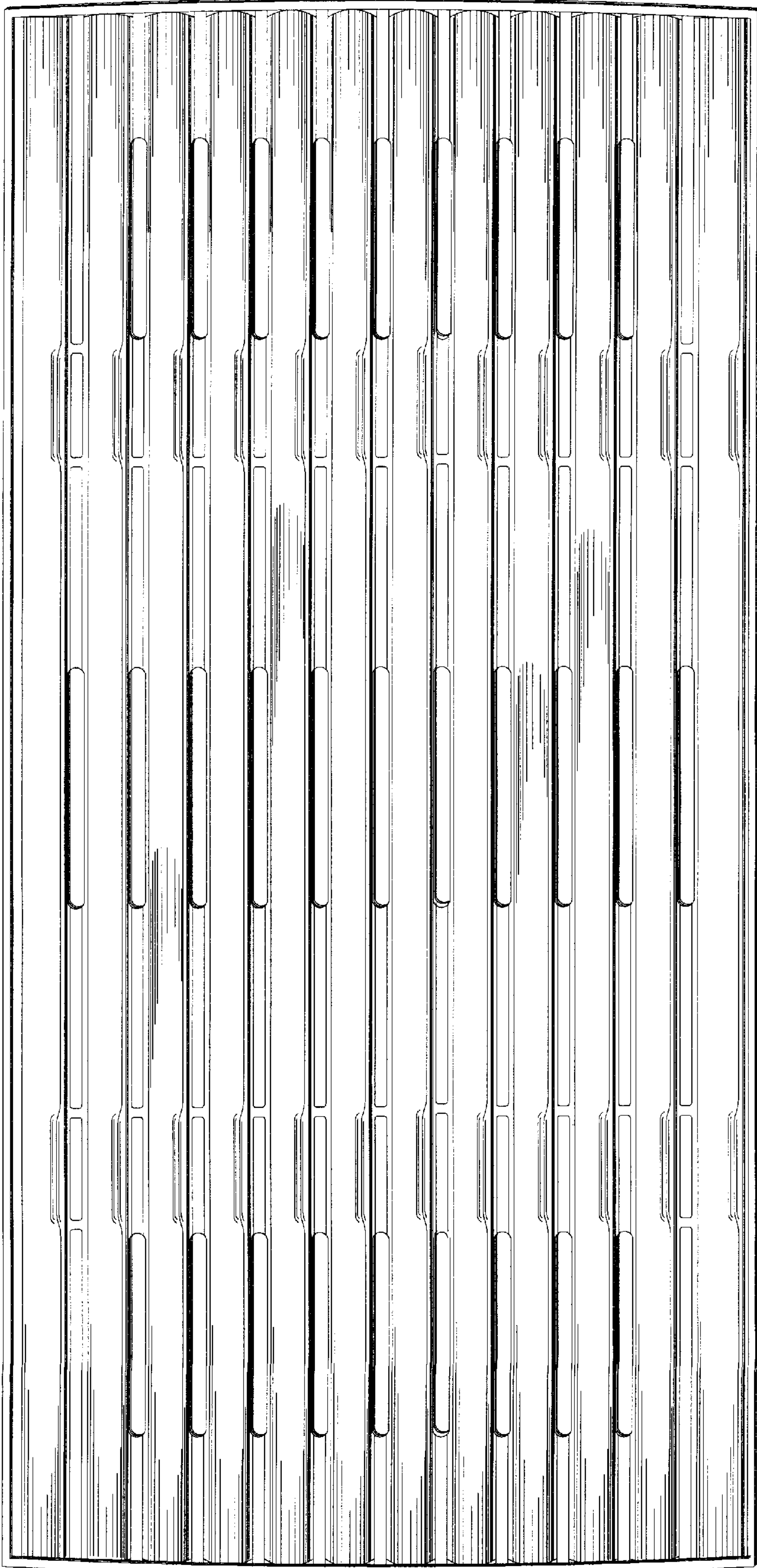


Fig. 2





6|— 7|— 8|—

6|— 7|— 8|—

Fig 3



Fig. 4



Fig. 8



Fig. 7



Fig. 6

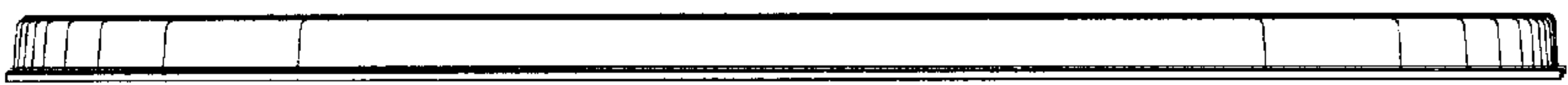


Fig. 5