



US00D420632S

# United States Patent [19] Bills

[11] **Patent Number: Des. 420,632**

[45] **Date of Patent: \*\* Feb. 15, 2000**

[54] **CLOSED-END TRAILER HITCH LOCK**

[76] Inventor: **Robert A. Bills**, 971 Wells Cir.,  
Meridian, Id. 83642

[\*\*] Term: **14 Years**

[21] Appl. No.: **29/102,956**

[22] Filed: **Apr. 5, 1999**

[51] **LOC (7) Cl.** ..... **12-16**

[52] **U.S. Cl.** ..... **D12/162**

[58] **Field of Search** ..... D12/162, 400;  
D8/330-331, 336, 343, 345, 346; 70/232,  
237; 224/519-520; 280/406.2, 433, 415.1,  
446.1, 480, 500, 504, 511

5,052,203 10/1991 Van Cuyx ..... 70/232  
5,255,545 10/1993 Wheeler ..... 70/232  
5,259,223 11/1993 Nee ..... 70/232

*Primary Examiner*—Jeffrey Asch  
*Assistant Examiner*—Stacia Sinuik  
*Attorney, Agent, or Firm*—Frank J. Dykas

### [57] CLAIM

The ornamental design for a closed-end trailer hitch lock, as shown and described.

### DESCRIPTION

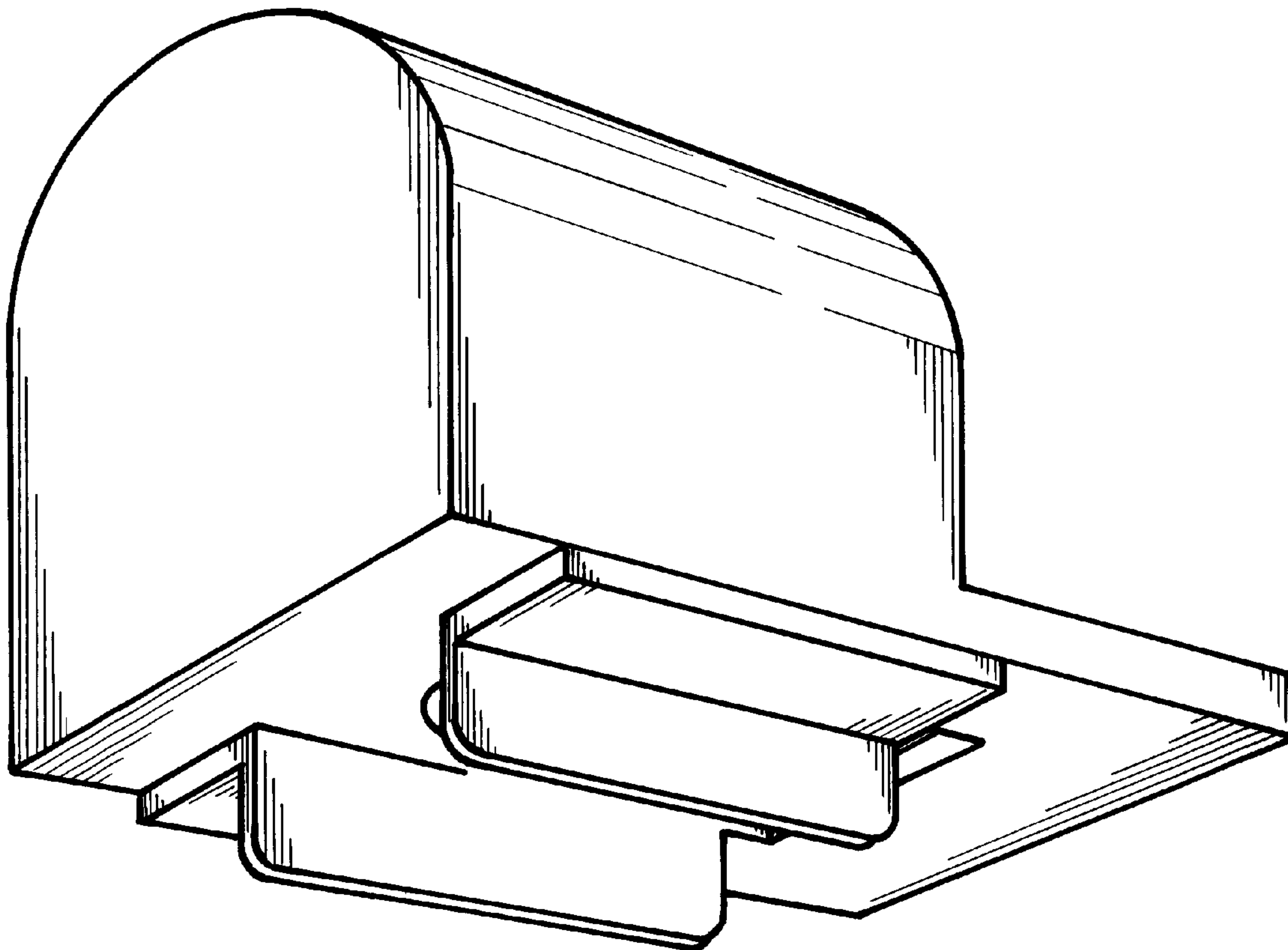
FIG. 1 is a perspective view of a closed-end trailer hitch lock showing my new design;  
FIG. 2 is a first side view, the second side view of which is an identical mirror image, of the closed-end trailer hitch lock;  
FIG. 3 is a first end view of the closed-end trailer hitch lock;  
FIG. 4 is a bottom view of the closed-end trailer hitch lock;  
FIG. 5 is a top view of the closed-end trailer hitch lock; and,  
FIG. 6 is a second end view of the closed-end trailer hitch lock.

[56] **References Cited**

U.S. PATENT DOCUMENTS

D. 254,121	2/1980	Padgett, Jr.	.....	D12/162	X
D. 351,604	10/1994	Eudy	.....	D12/162	X
D. 402,602	12/1998	Niswanger	.....	D12/162	
D. 404,347	1/1999	Dillon	.....	D12/162	
3,876,242	4/1975	Eaton	.....	280/511	
4,141,233	2/1979	Reyes	.....	70/232	

**1 Claim, 4 Drawing Sheets**



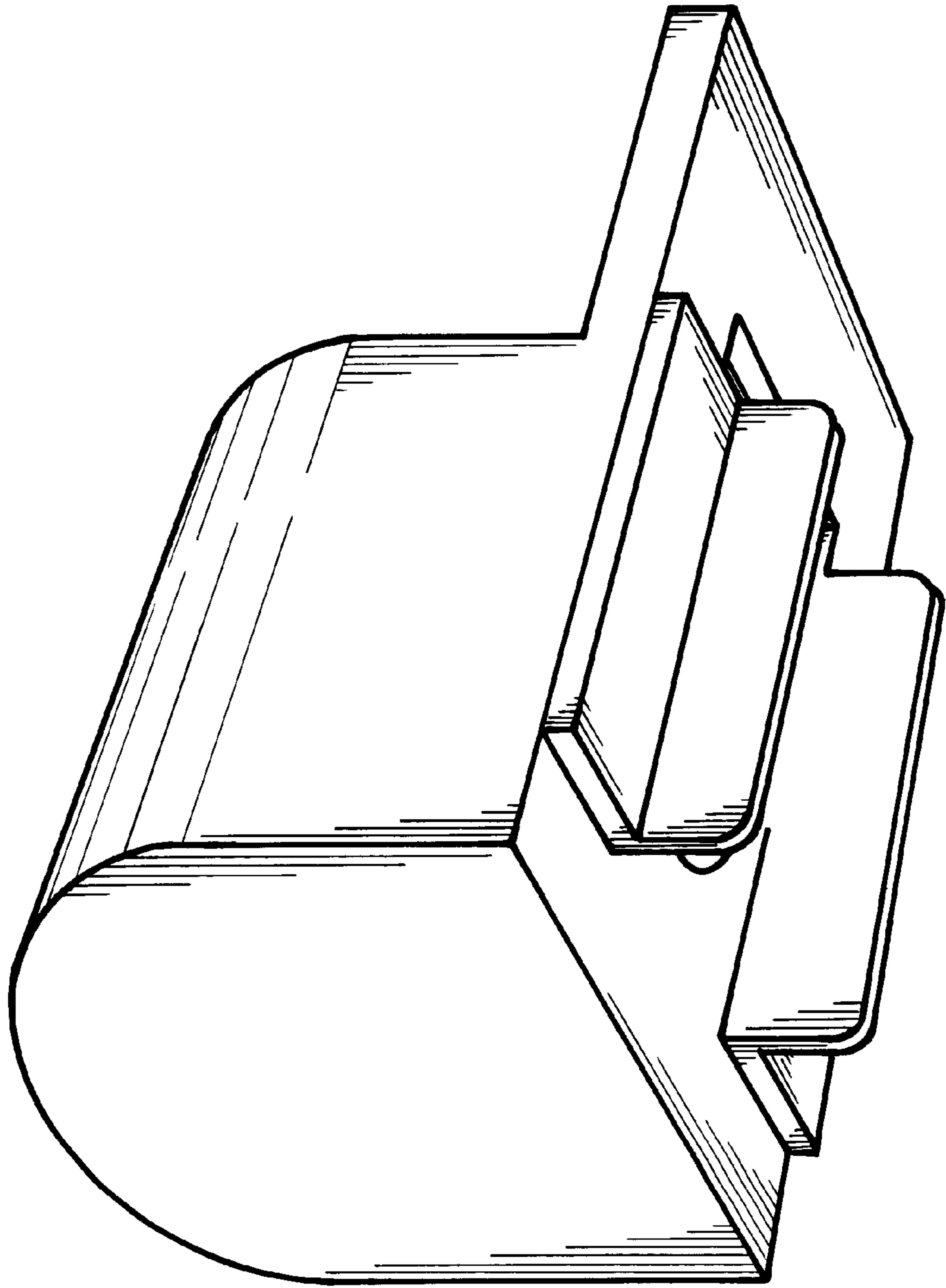


FIG. 1



FIG. 2

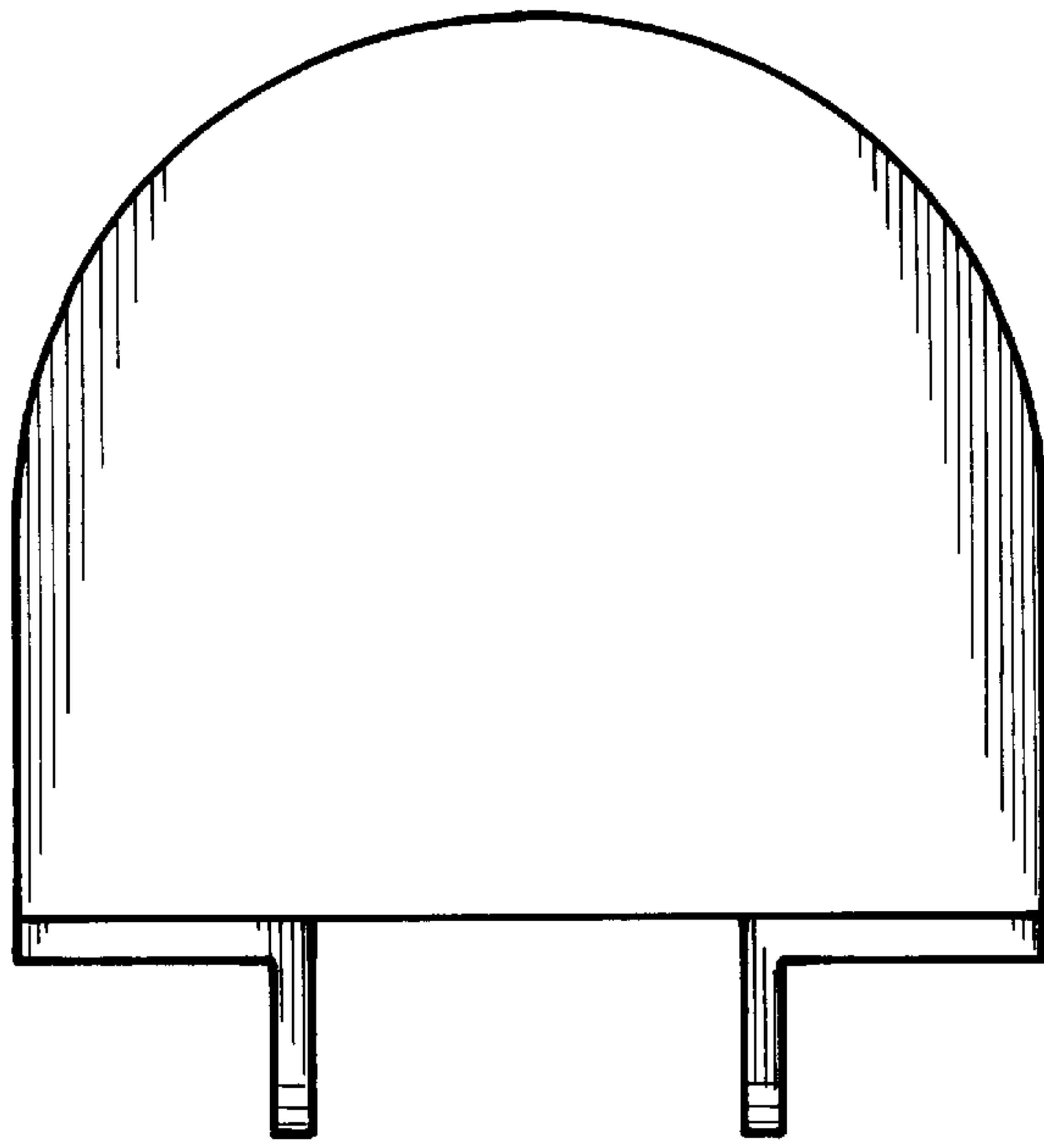


FIG. 3

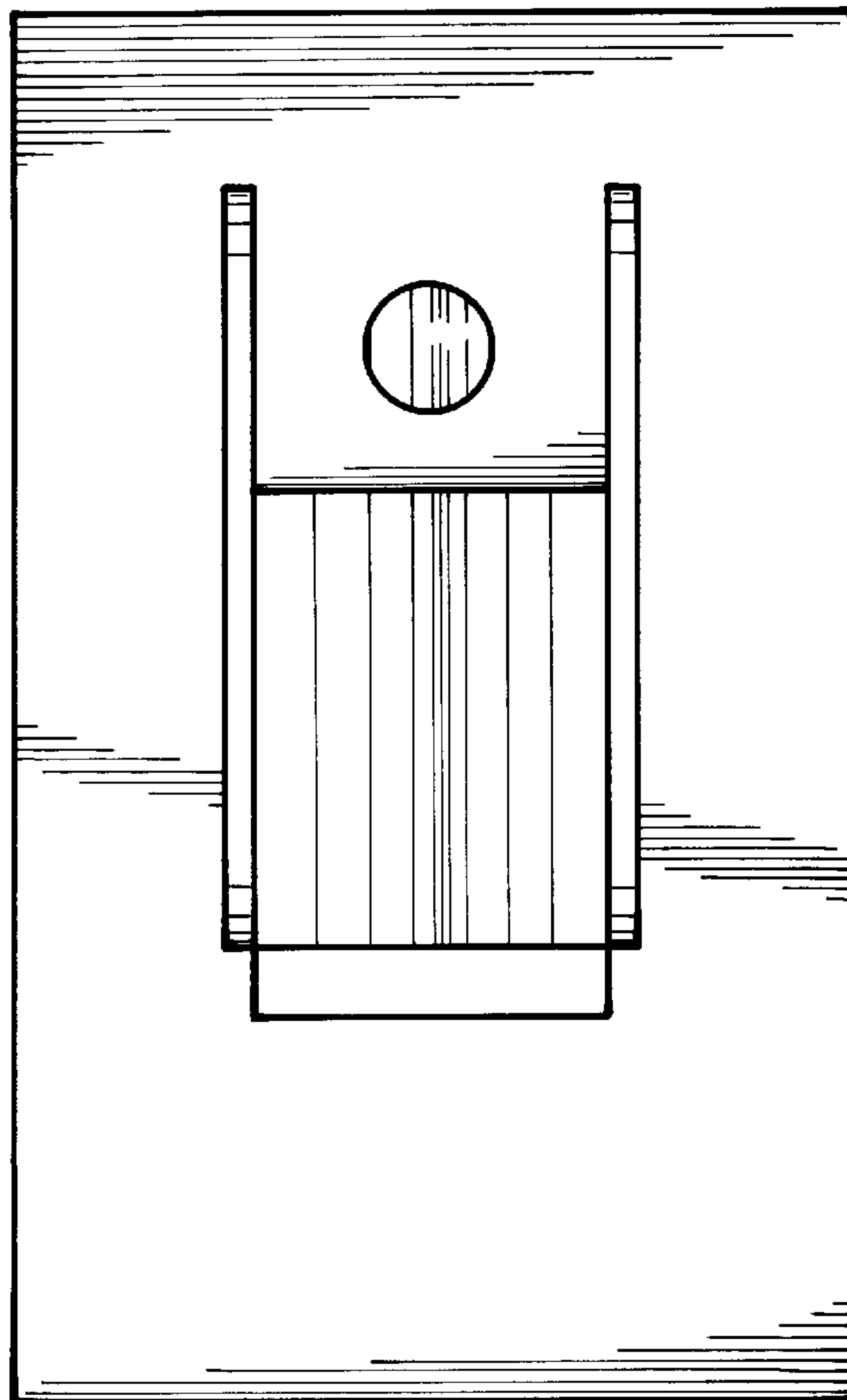


FIG. 4

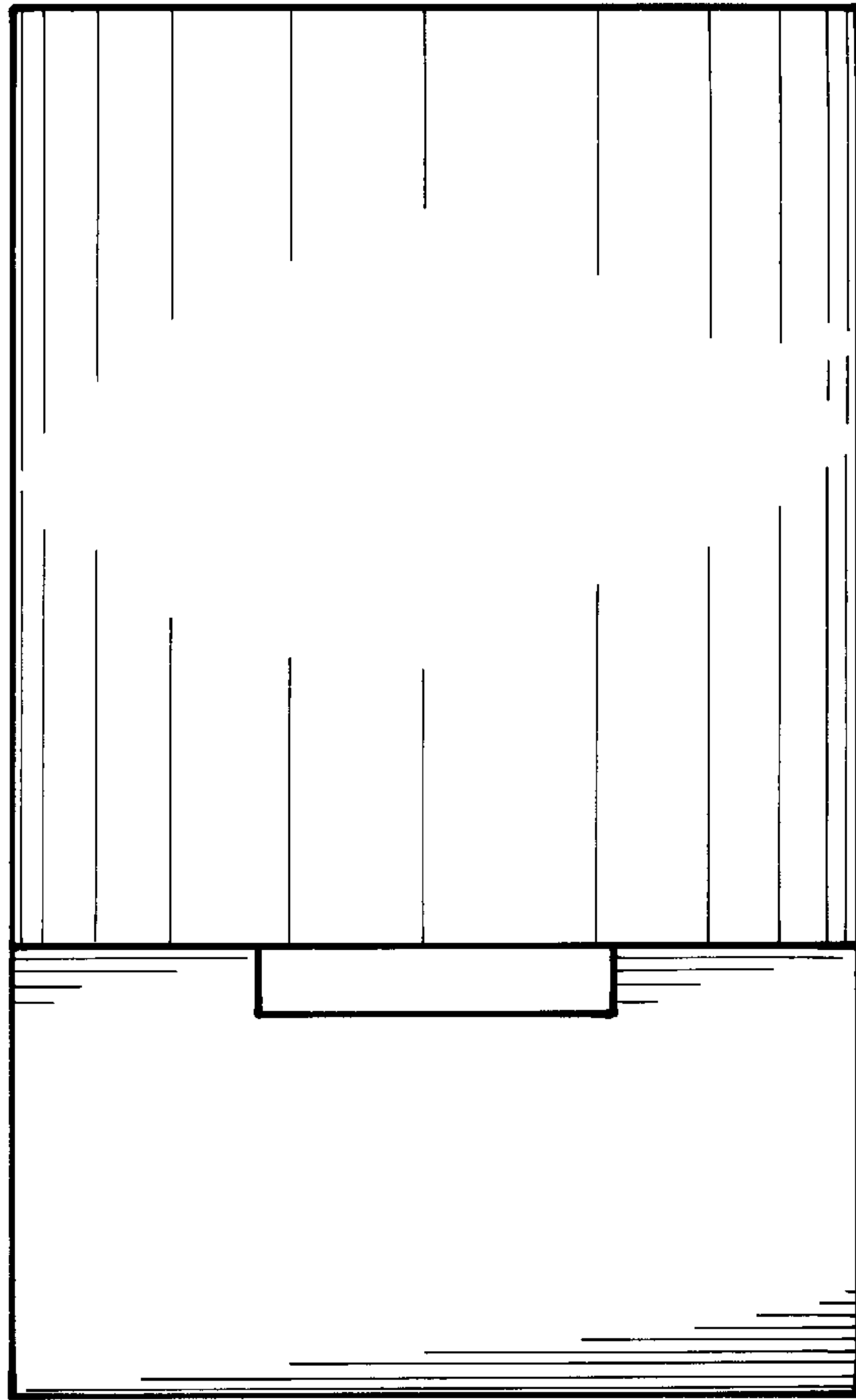


FIG. 5

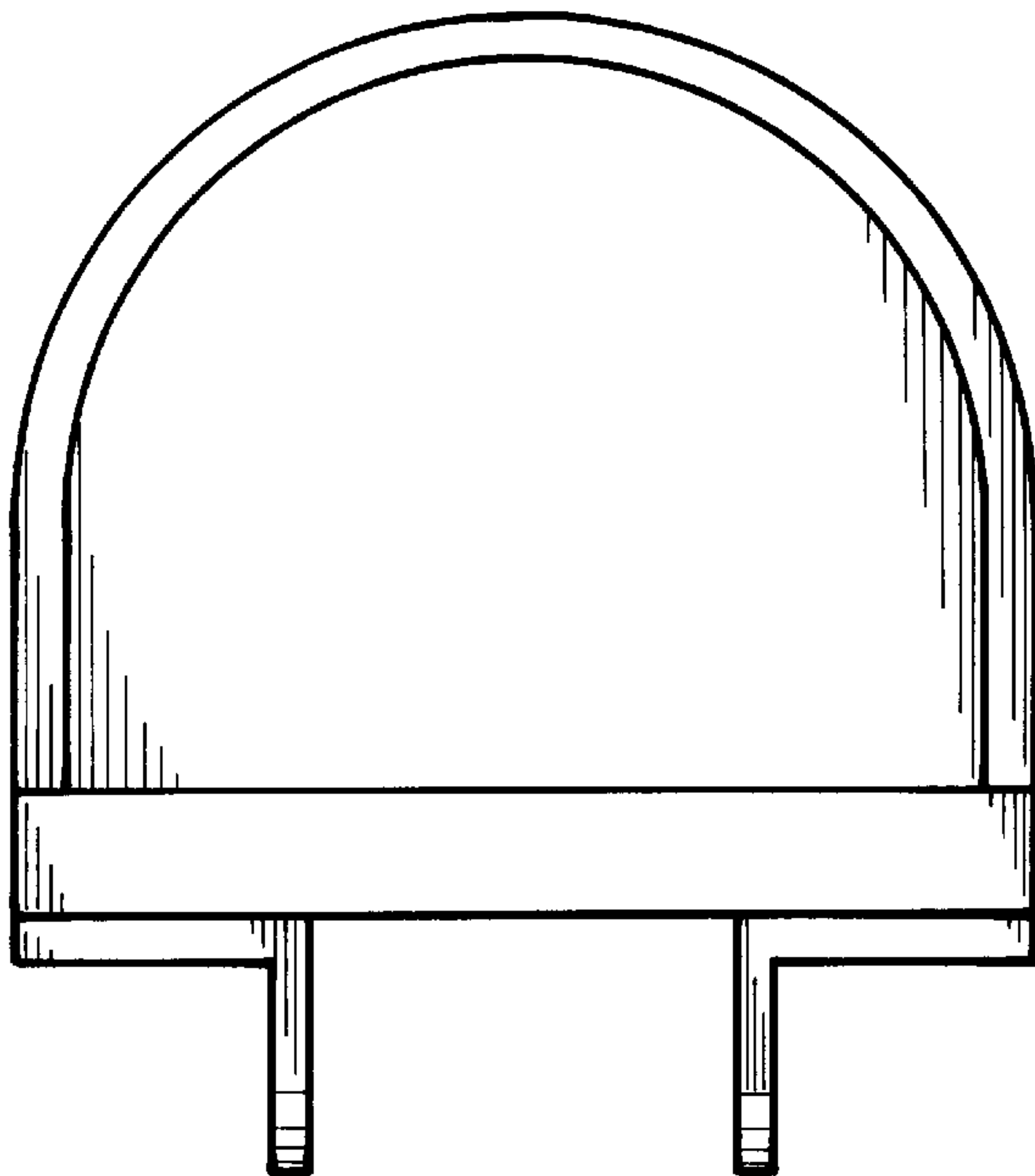


FIG. 6