



US00D420627S

United States Patent [19]

Edwards et al.

[11] Patent Number: Des. 420,627

[45] Date of Patent: ** Feb. 15, 2000

[54] TIRE TREAD

[75] Inventors: **Everett J. Edwards**, Stow; **Leonard F. Blankenship**, Wadsworth; **David M. Reep**, Copley, all of Ohio

[73] Assignee: **Bridgestone/Firestone Research, Inc.**, Akron, Ohio

[**] Term: **14 Years**

[21] Appl. No.: **29/097,577**

[22] Filed: **Dec. 9, 1998**

[51] **LOC (7) Cl.** **12-15**

[52] **U.S. Cl.** **D12/147**

[58] **Field of Search** D12/138-152;
152/209.1, 209.8, 209.9, 209.11, 209.16,
209.18, 209.28, 900, 901, 902, 903

[56] References Cited

U.S. PATENT DOCUMENTS

D. 314,169	1/1991	Covert et al.	D12/147
D. 316,532	4/1991	Tsuda et al.	D12/147
D. 320,772	10/1991	Hasegawa	D12/147
D. 342,047	12/1993	Takahashi	D12/146
D. 344,918	3/1994	Graas	D12/147
D. 368,056	3/1996	Morishita et al.	D12/147
D. 368,451	4/1996	Wallet et al.	D12/147
D. 369,768	5/1996	Wakamatsu et al.	D12/147
D. 370,440	6/1996	Kuwazima et al.	D12/147
D. 396,674	8/1998	Lassan et al.	D12/147
D. 396,676	8/1998	Croyle	D12/147

OTHER PUBLICATIONS

Avon CR55 Winter Tire, 1997 Tread Design Guide, p. 13, Jan. 1997.

General XP2000 X4 Tire, 1997 Tread Design Guide, p. 33, Jan. 1997.

Visa VS-700 Tire, 1997 Tread Design Guide, p. 77, Jan. 1997.

Primary Examiner—Robert M. Spear

Attorney, Agent, or Firm—John M. Vasuta; Michael Sand

[57] CLAIM

The ornamental design for a tire tread, as shown and described.

DESCRIPTION

FIG. 1 is a side perspective view of a tire tread showing our new design, it being understood that the tread pattern is repeated throughout the circumference of the tire tread, the opposite side being a mirror image of that shown;

FIG. 2 is a front elevational view thereof;

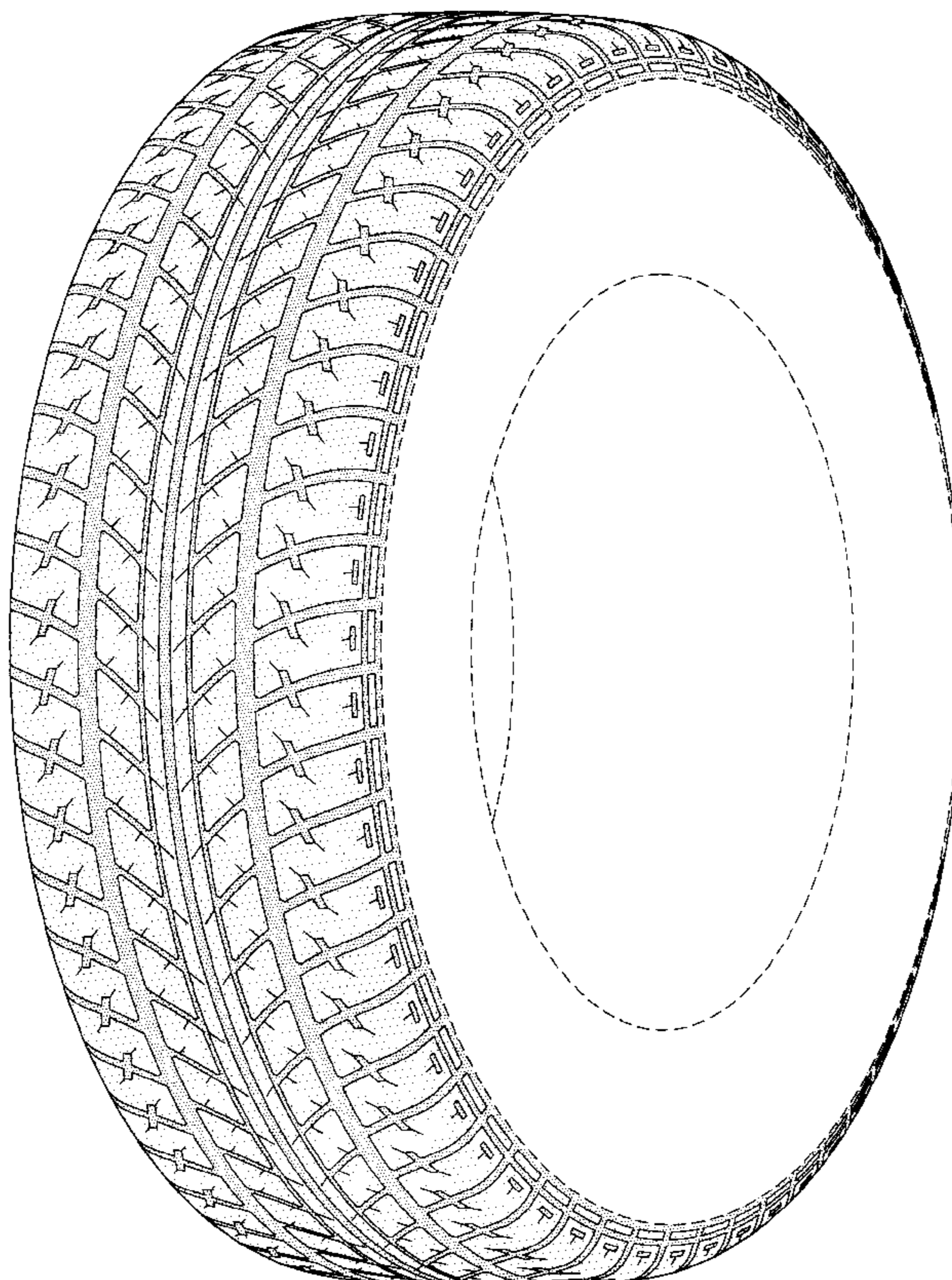
FIG. 3 is a side elevational view of the right side thereof;

FIG. 4 is a side elevational view of the left side thereof; and,

FIG. 5 is an enlarged fragmentary front elevational view thereof.

The dark stippled surface shading represents the recessed portion of the tread grooves, having a depth as best shown in FIG. 2; the broken lines defining a portion of the tire sidewall and the peripheral boundary between the tire tread and sidewall are for illustrative purposes only and form no part of the claimed design.

1 Claim, 5 Drawing Sheets



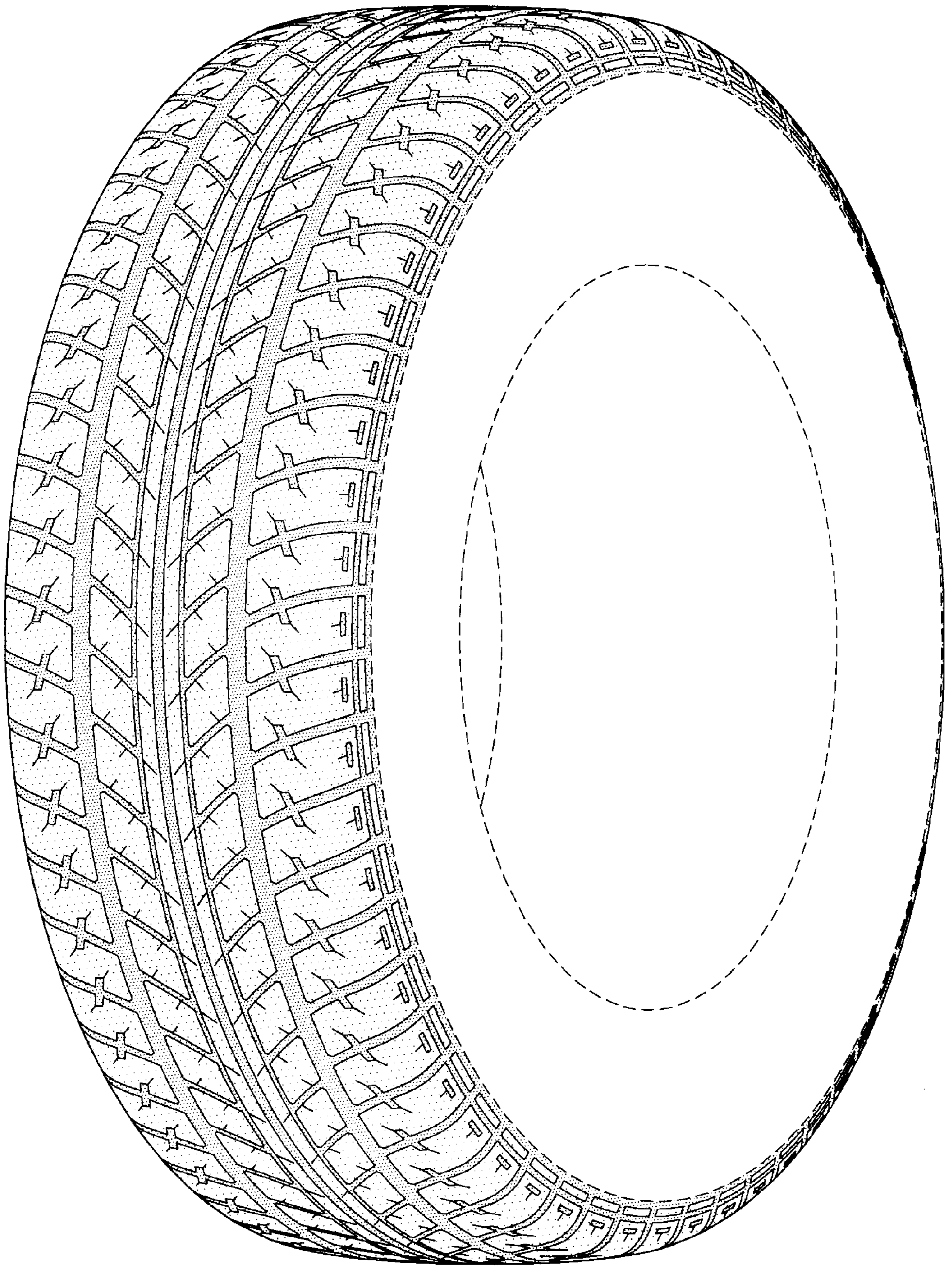


FIG-1

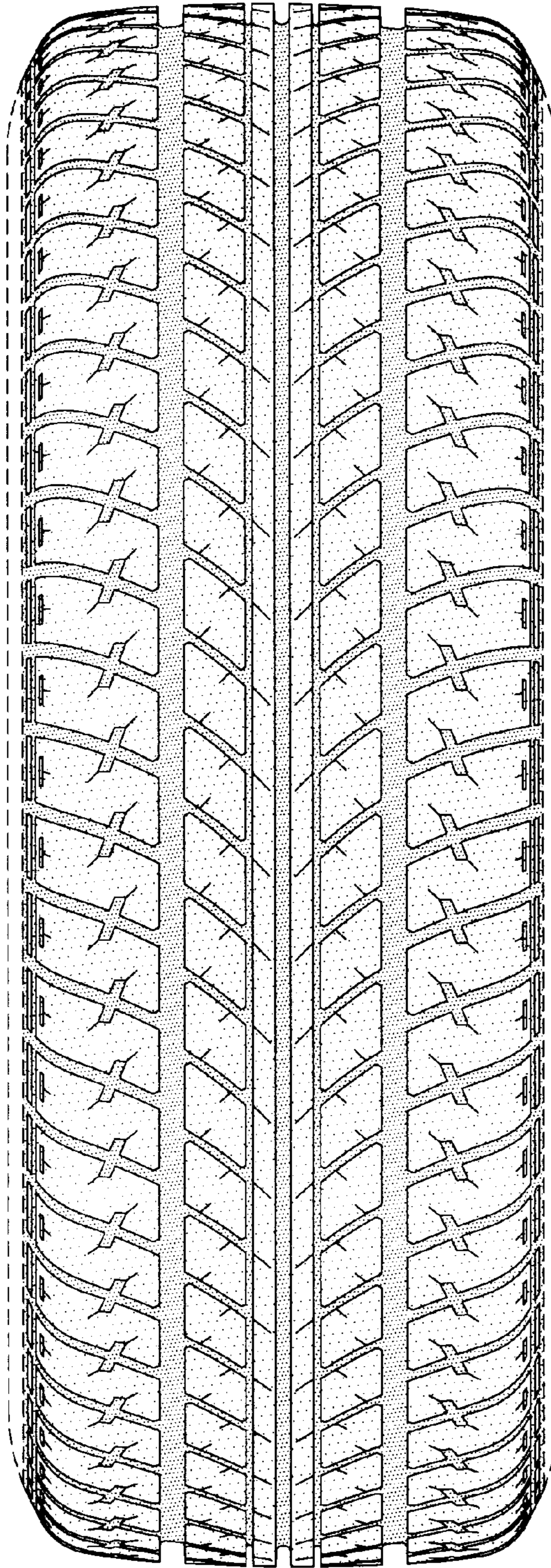


FIG-2

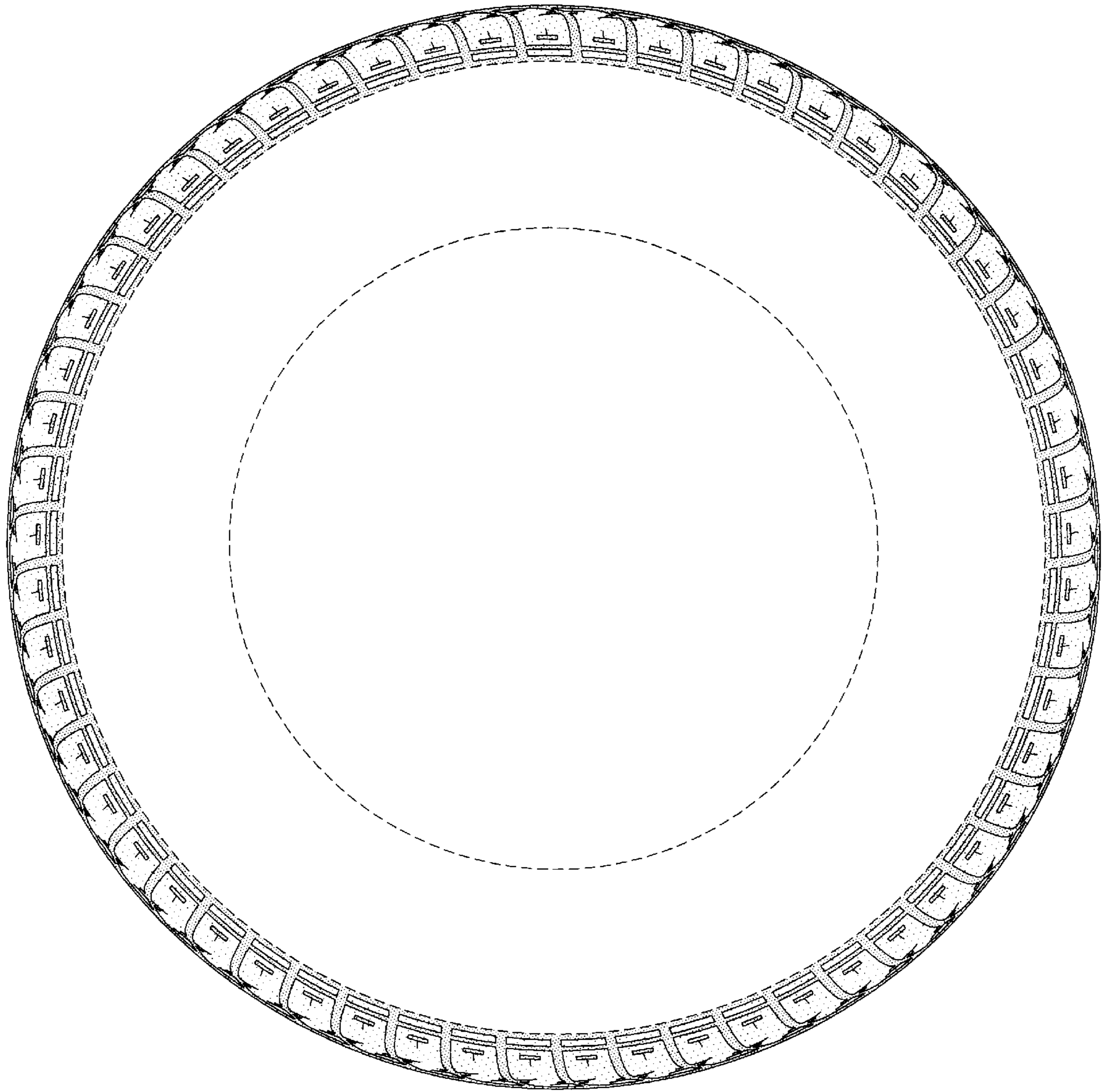


FIG-3

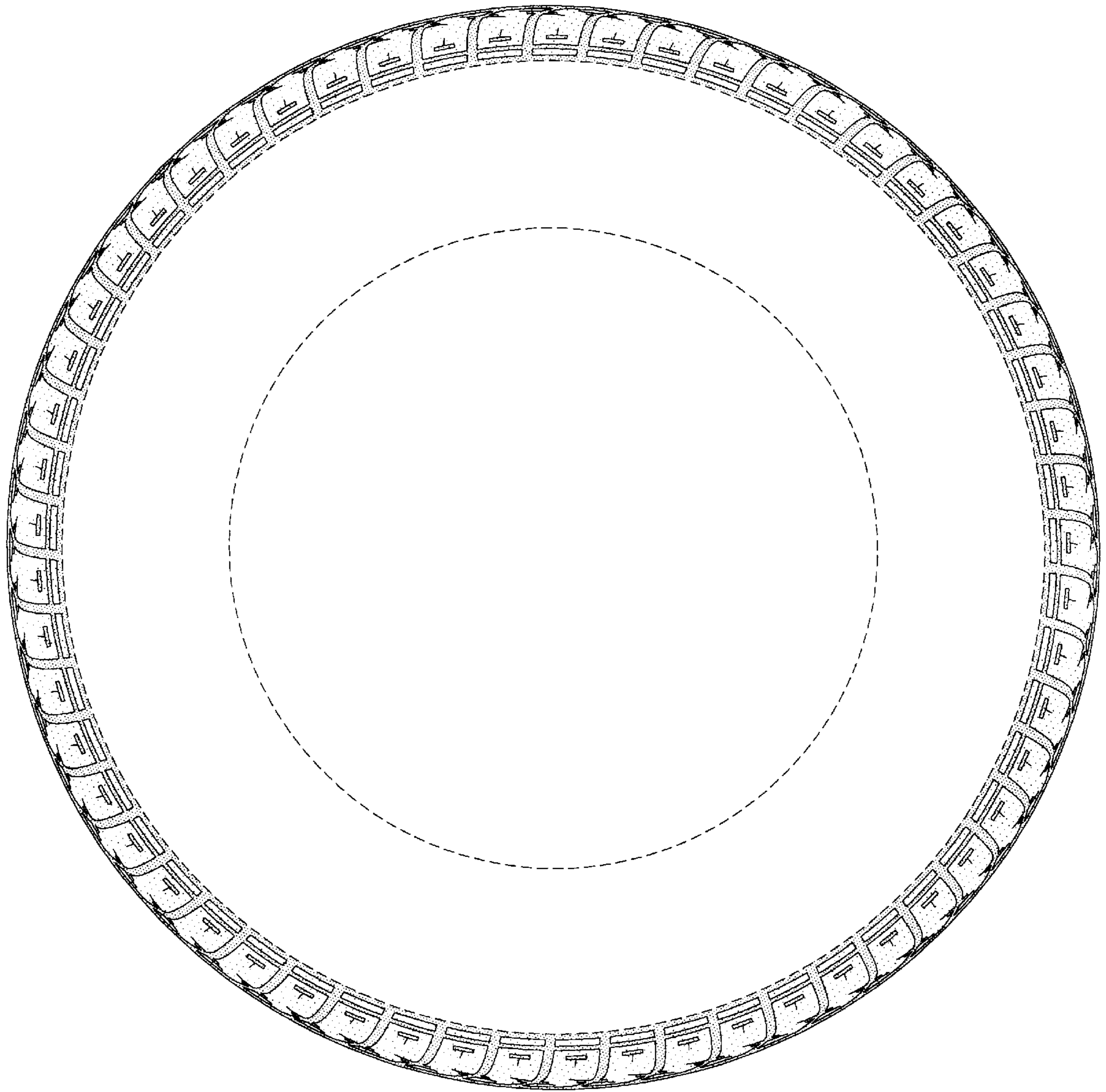


FIG-4

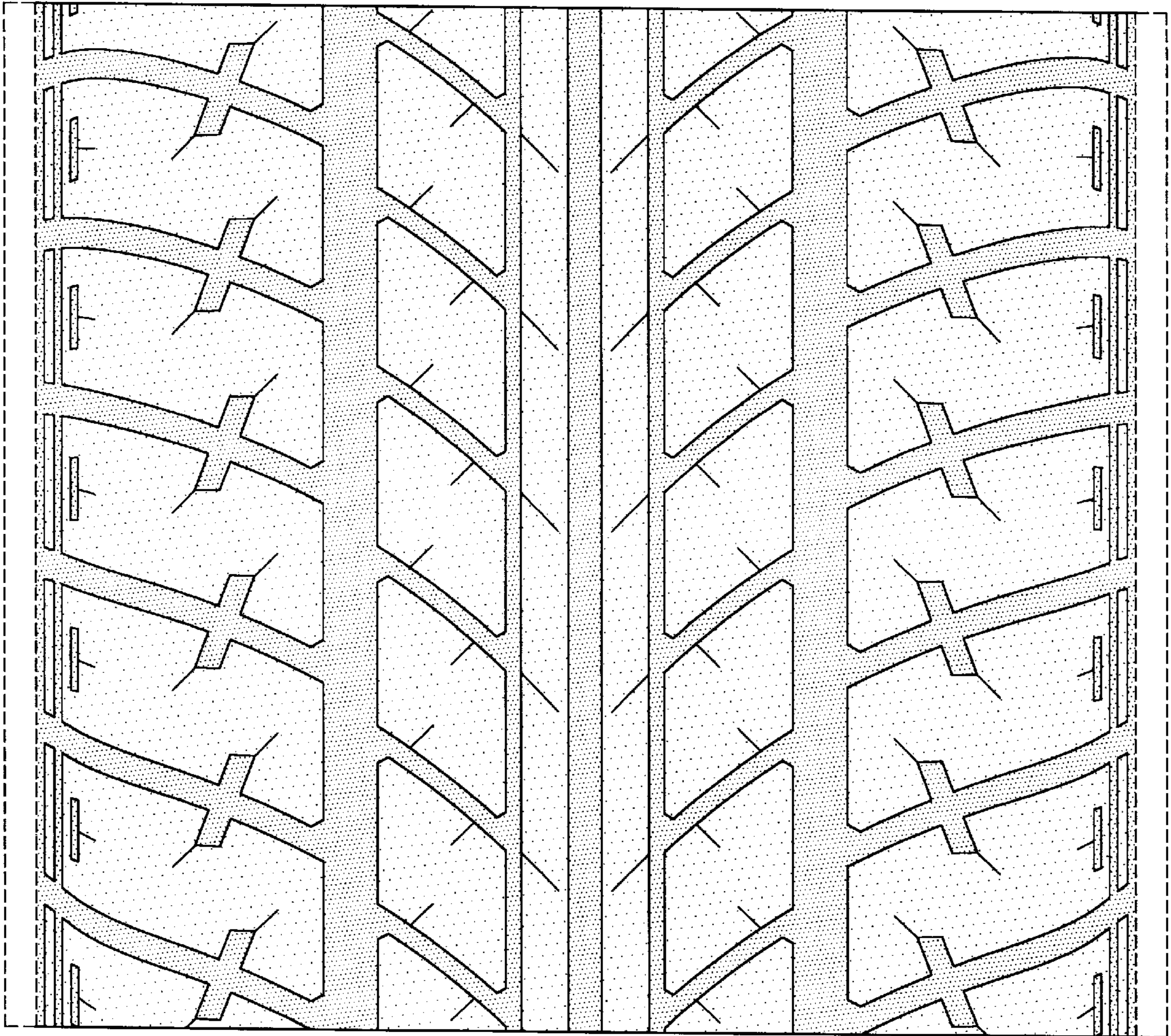


FIG-5