



US00D420624S

United States Patent [19] Gonzalez

[11] **Patent Number: Des. 420,624**

[45] **Date of Patent: ** Feb. 15, 2000**

[54] **WHEELED TRAINER FOR SKATING**

D. 389,545 1/1998 Gertler D21/772
5,228,708 7/1993 Verdugo 280/200

[76] Inventor: **Jesus Gonzalez**, 12970 SW. 17 Ter.,
Miami, Fla. 33175

Primary Examiner—Kay H. Chin
Attorney, Agent, or Firm—J. Sanchelima

[**] Term: **14 Years**

[57] **CLAIM**

[21] Appl. No.: **29/100,150**

The ornamental design for a wheeled trainer for skating, as shown and described.

[22] Filed: **Feb. 5, 1999**

[51] **LOC (7) Cl.** **12-12**

DESCRIPTION

[52] **U.S. Cl.** **D12/130; D21/771**

FIG. 1 is a top view of a wheeled trainer for skating showing my new design;

[58] **Field of Search** D12/128, 130,
D12/133; D21/771; 280/809; D3/9; 482/71;
434/253

FIG. 2 is a front elevational view thereof;

FIG. 3 is a bottom view thereof;

FIG. 4 is a right side elevational view thereof;

FIG. 5 is a rear elevational view thereof; and

FIG. 6 is a left side elevational view thereof; and,

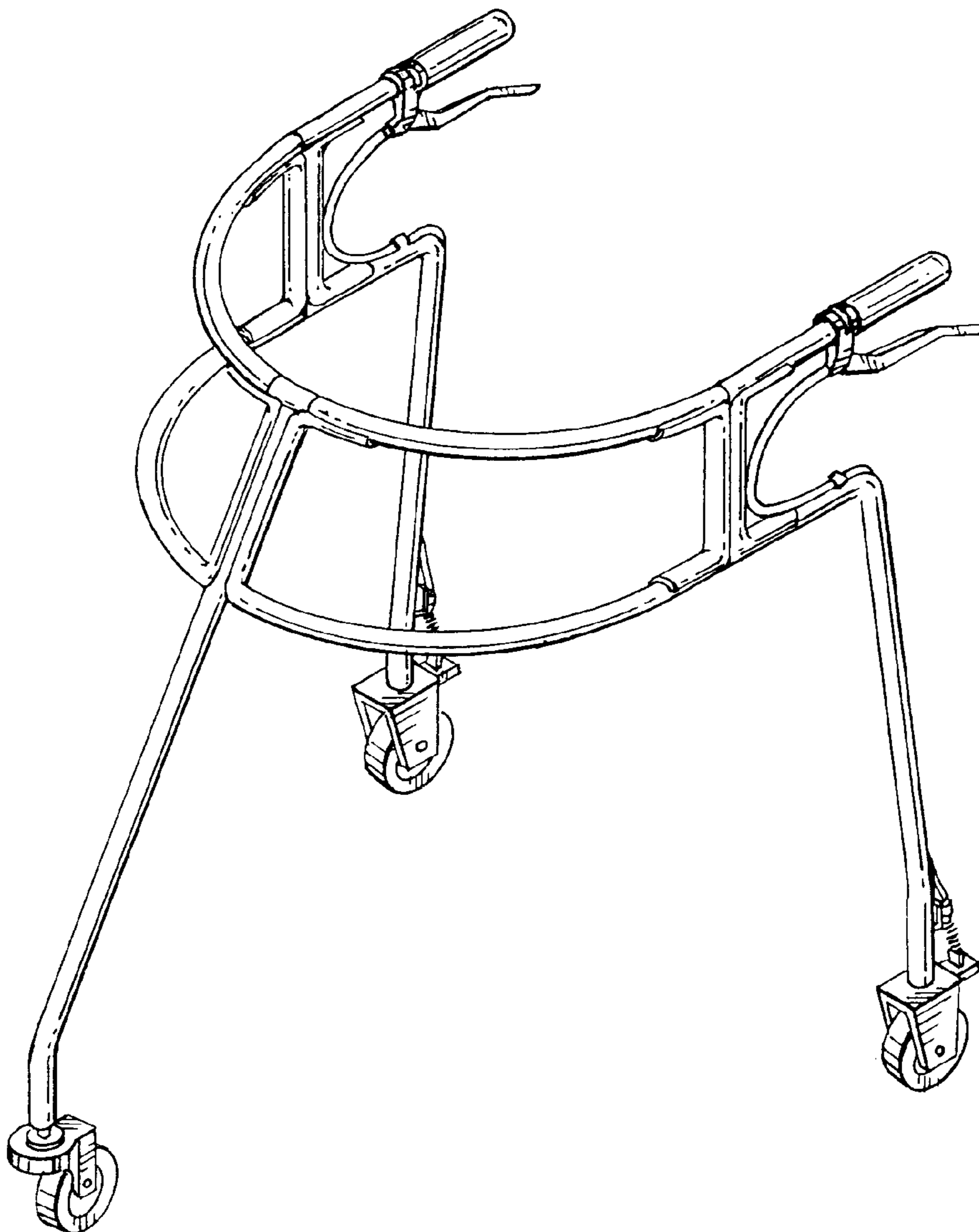
FIG. 7 is an isometric view thereof.

[56] **References Cited**

U.S. PATENT DOCUMENTS

D. 301,598 6/1989 Harris D21/771
D. 357,522 4/1995 Garneau D21/771
D. 388,854 1/1998 Love D21/771

1 Claim, 3 Drawing Sheets



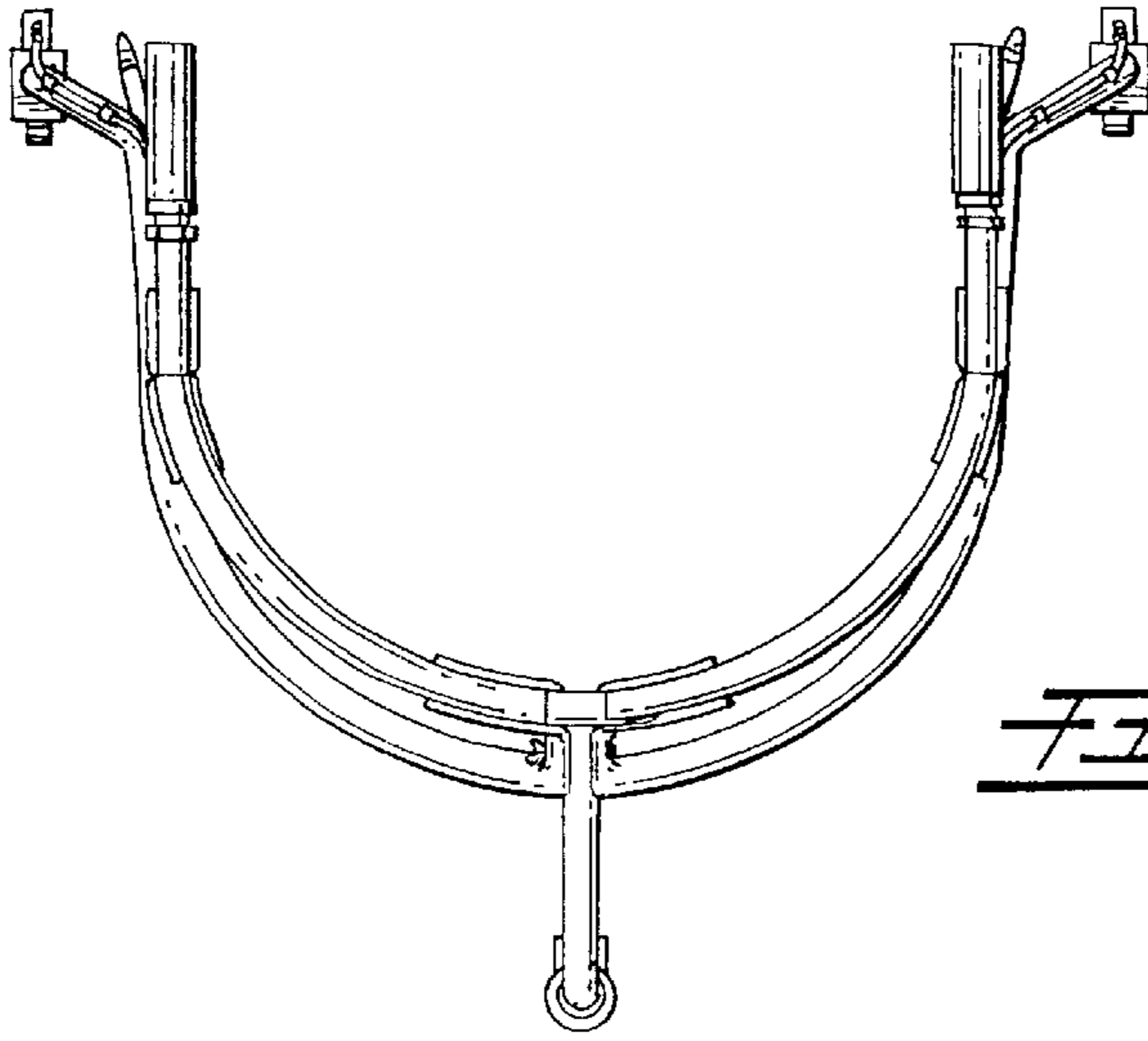


FIG. 1

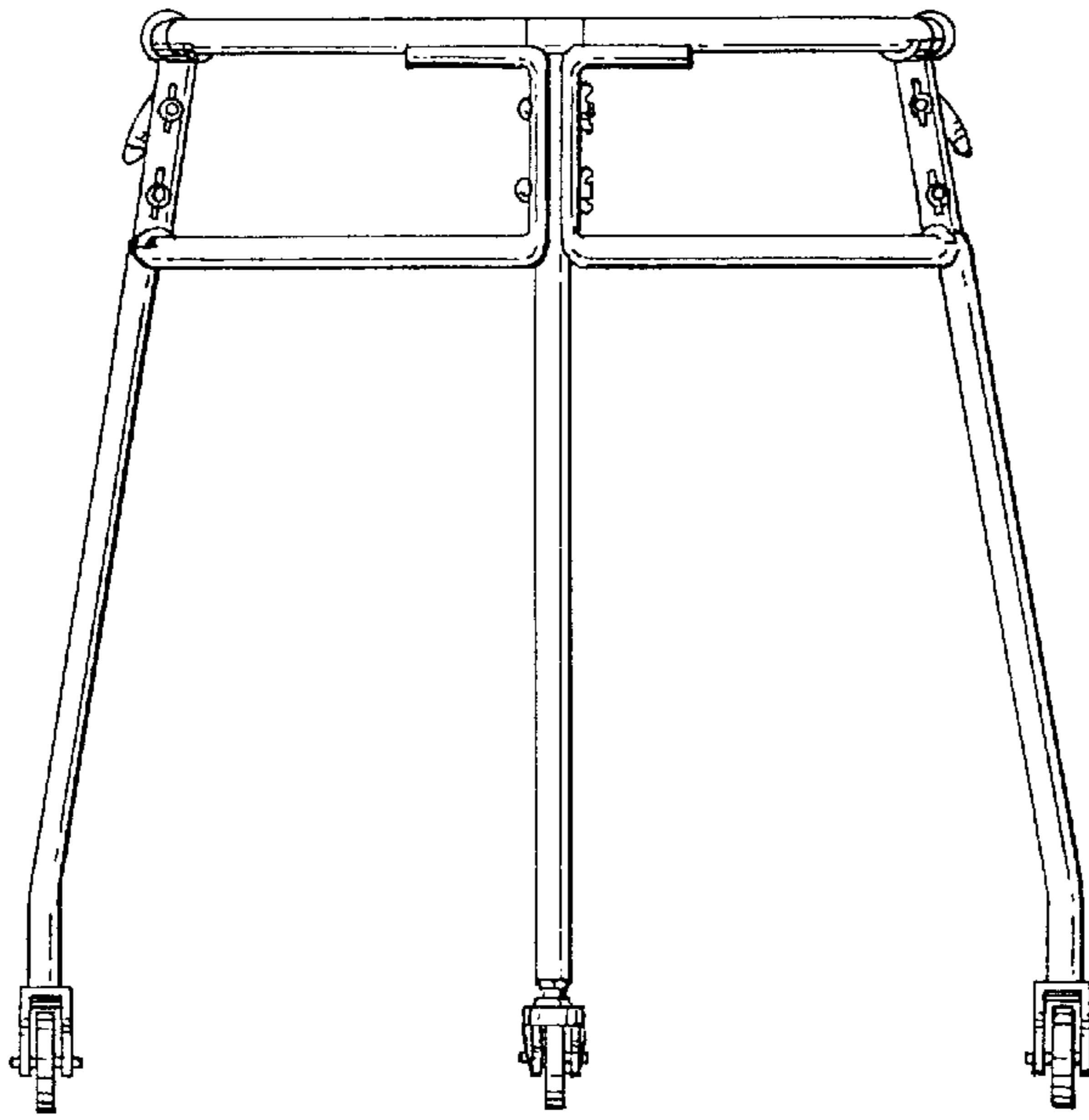


FIG. 2

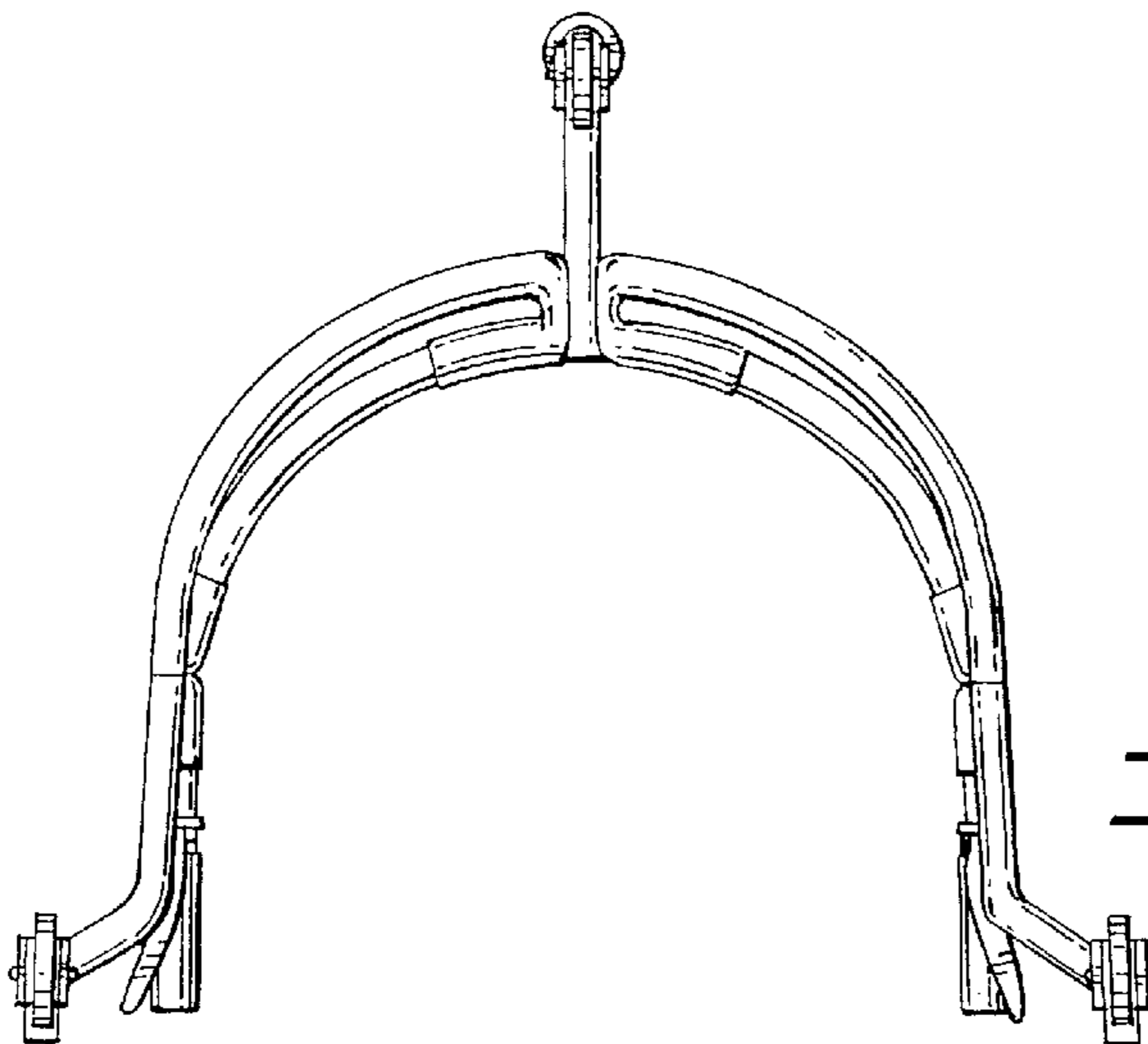


FIG. 3

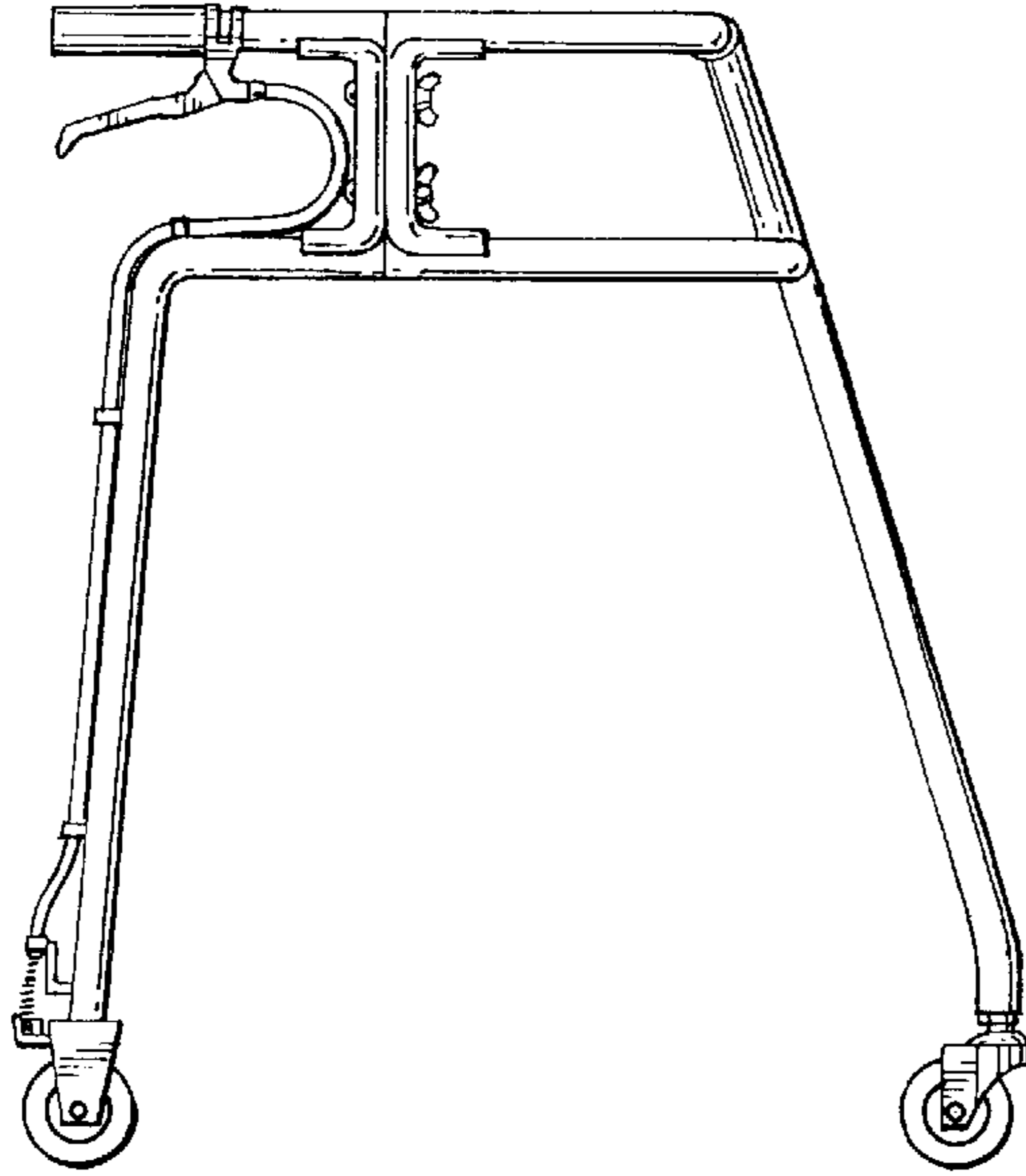


FIG. 4.

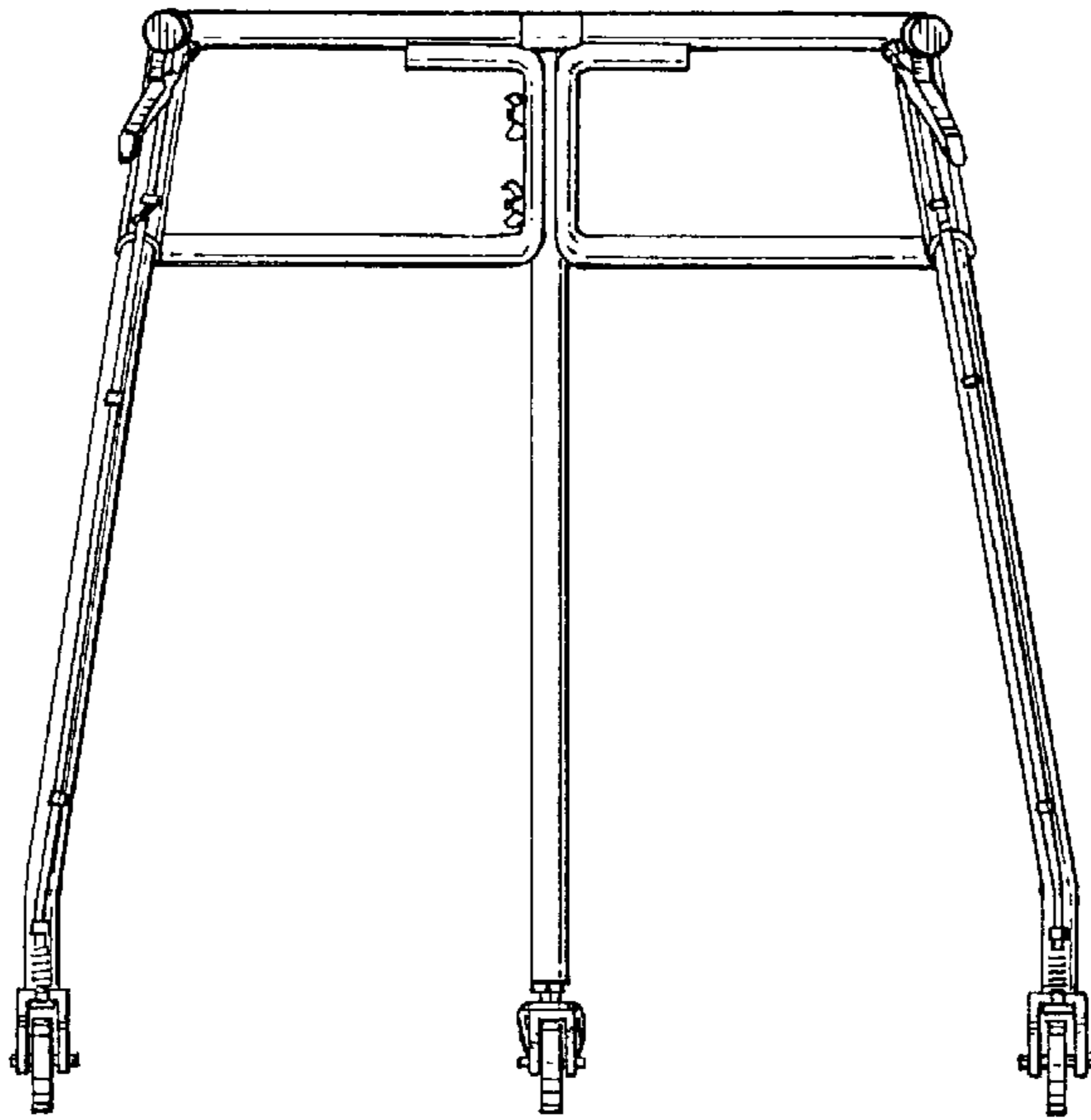


FIG. 5.

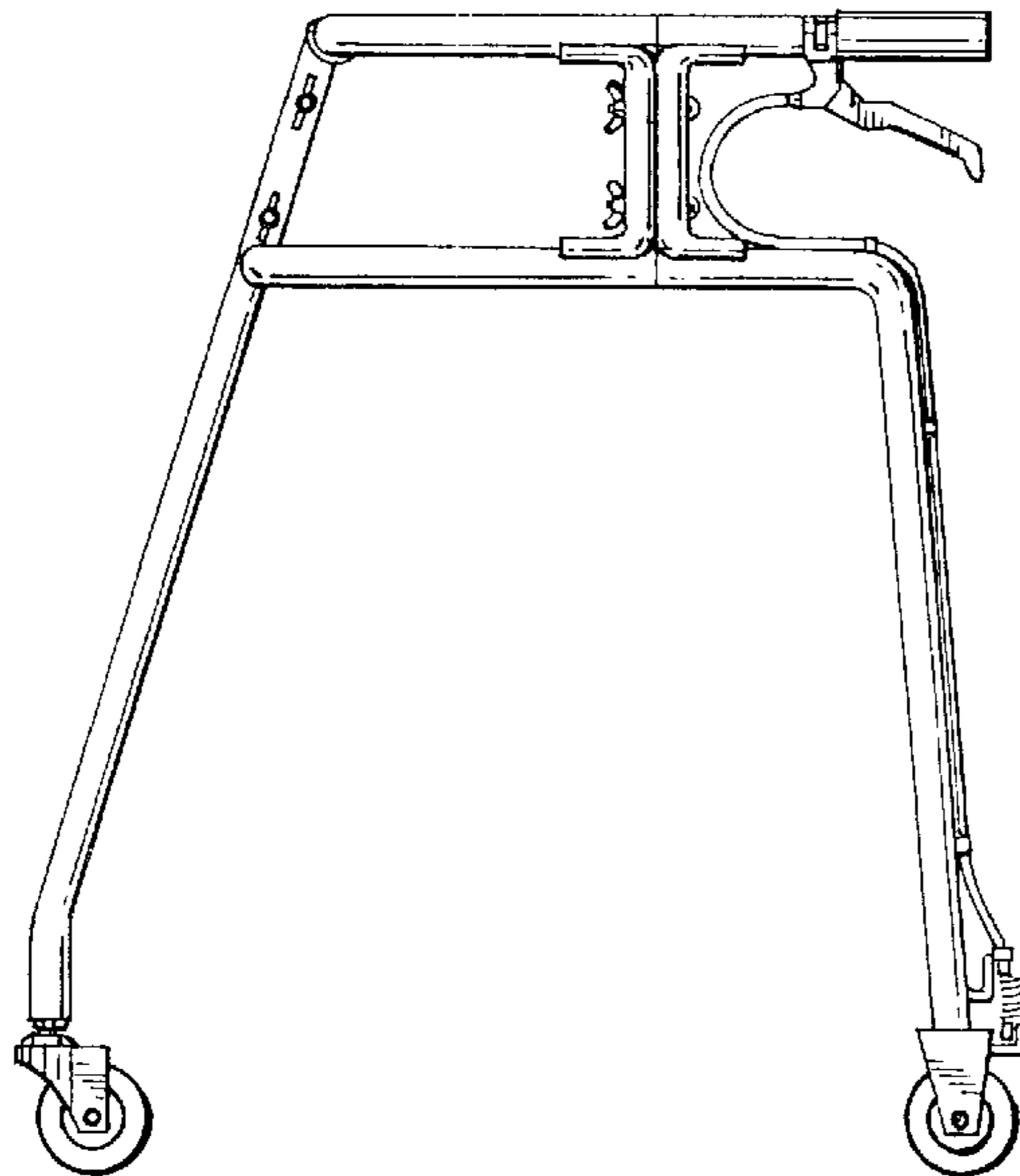


FIG. 6.

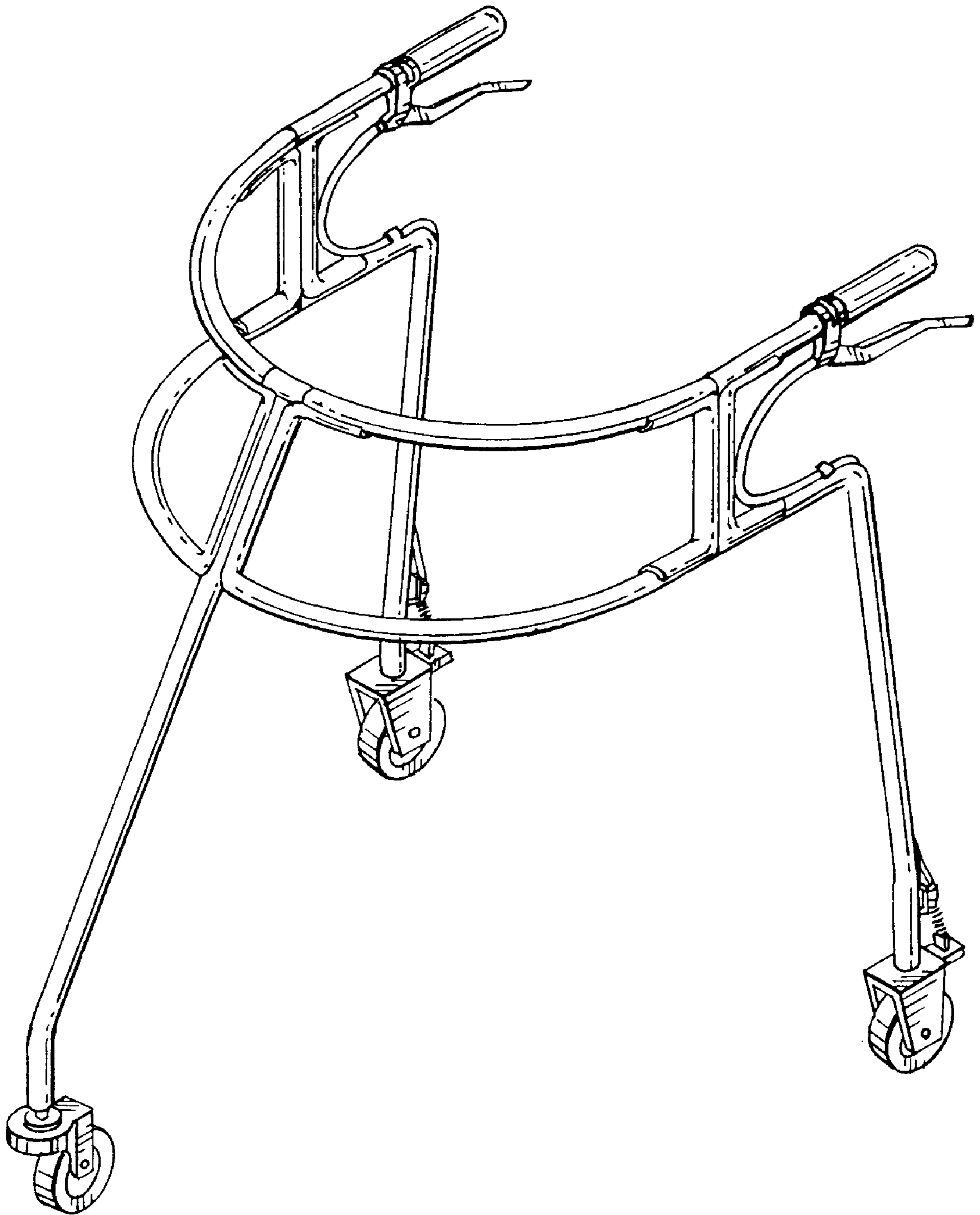


FIG. 7