



US00D420621S

United States Patent [19] Brakebill

[11] Patent Number: **Des. 420,621**

[45] Date of Patent: **** Feb. 15, 2000**

[54] **BELT BUCKLE**

4,260,087 4/1981 Leaver D11/201

[76] Inventor: **J. W. Brakebill**, P.O. Box 324,
Francisco, Ind. 47649

Primary Examiner—Ralf Seifert

[**] Term: **14 Years**

[57] **CLAIM**

The ornamental design for a belt buckle, as shown and described.

[21] Appl. No.: **29/097,159**

[22] Filed: **Nov. 30, 1998**

DESCRIPTION

[51] **LOC (7) Cl.** **02-07**

[52] **U.S. Cl.** **D11/232**

[58] **Field of Search** D11/200, 201,
D11/231-241; D2/3; 24/163 R, 185-188

FIG. 1 is a perspective view of a belt buckle showing my new design;

FIG. 2 is an isometric view thereof,

FIG. 3 is a right side view thereof,

FIG. 4 is a bottom view thereof; and,

FIG. 5 is an isometric view with surface pattern elements shown in extended positions.

The broken line showing of the back side of the buckle, in FIGS. 1-5, is for illustrative purposes only and forms no part of the claimed design.

[56] **References Cited**

U.S. PATENT DOCUMENTS

D. 290,448	6/1987	Seehase	D11/232
3,100,608	8/1963	Goldfarb	D11/201
3,148,426	9/1964	Lesser et al.	D11/201

1 Claim, 2 Drawing Sheets

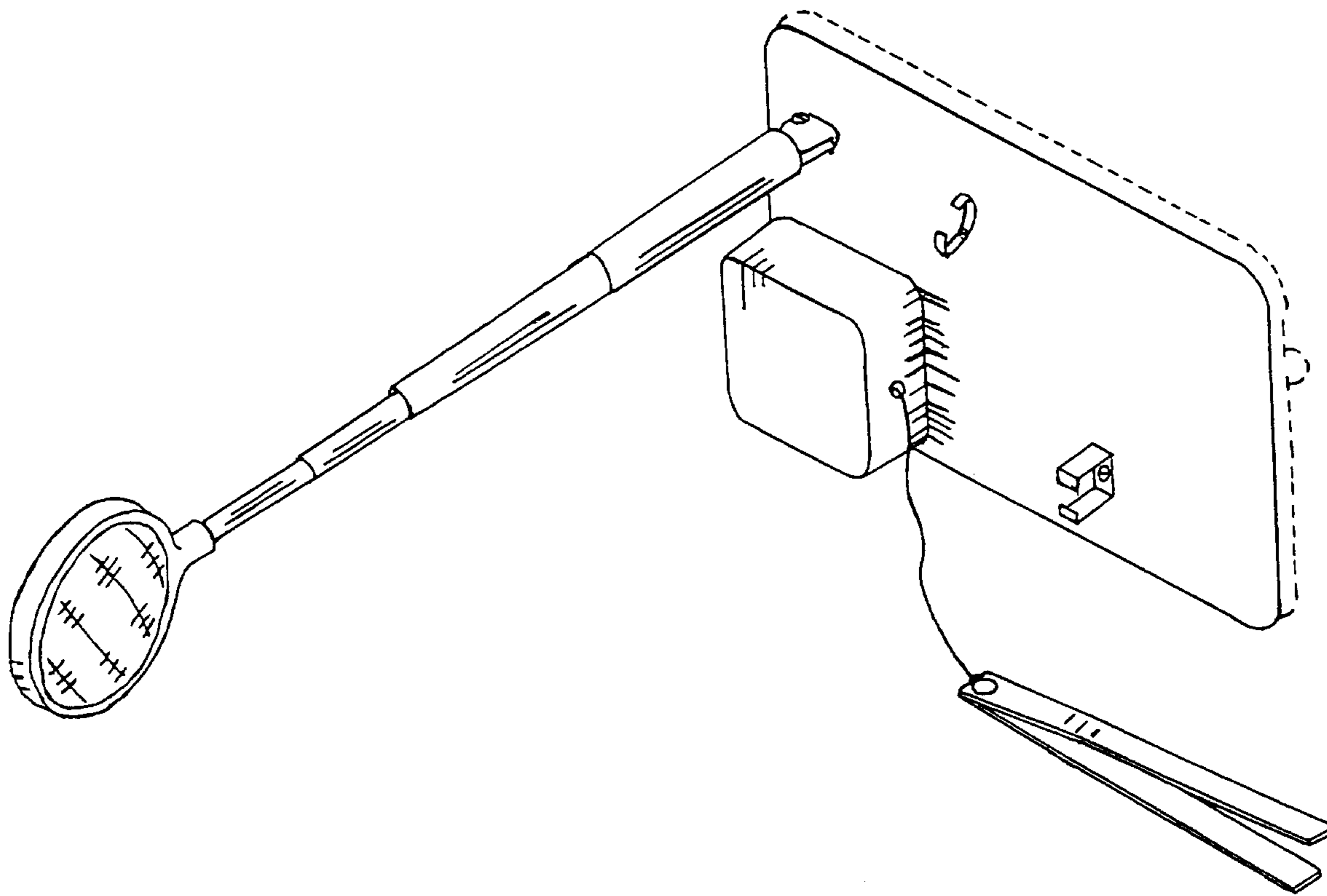


FIG. 1

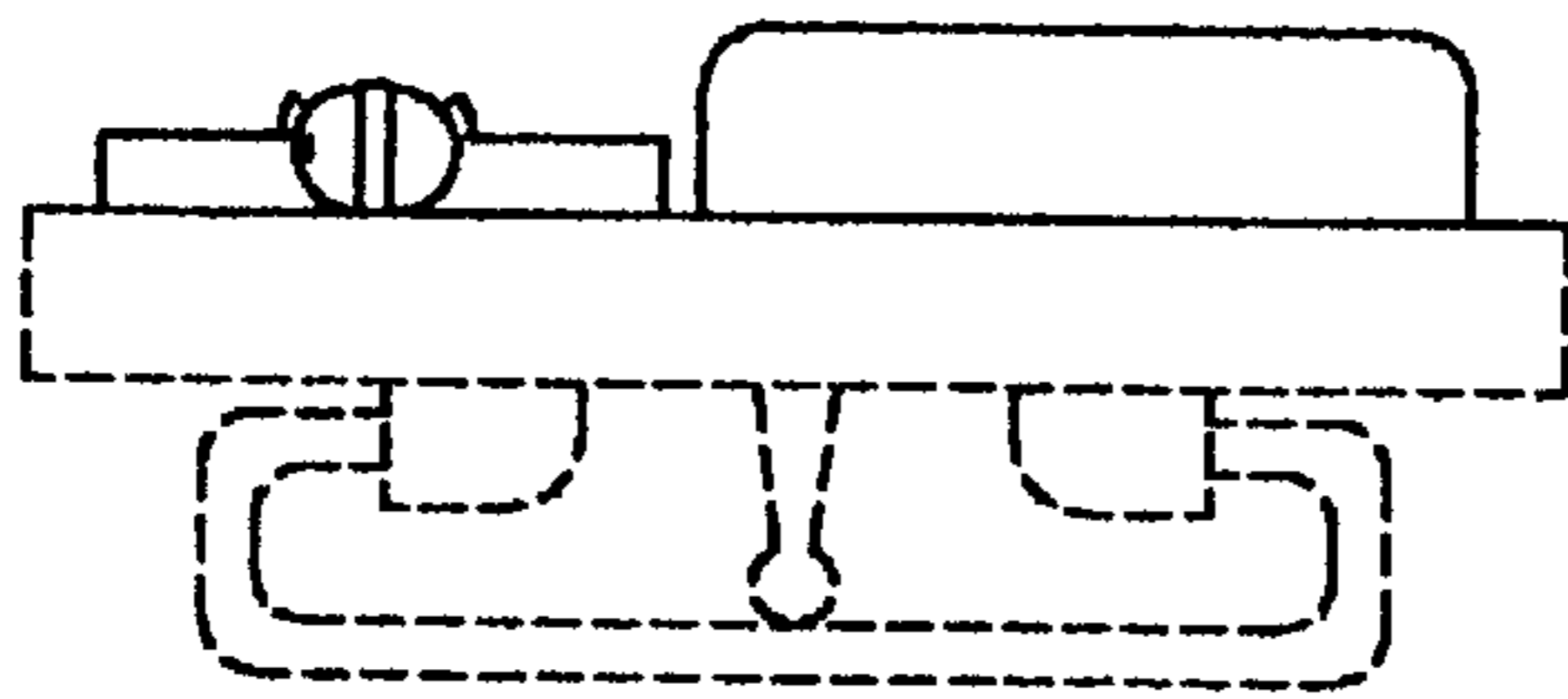


FIG. 2

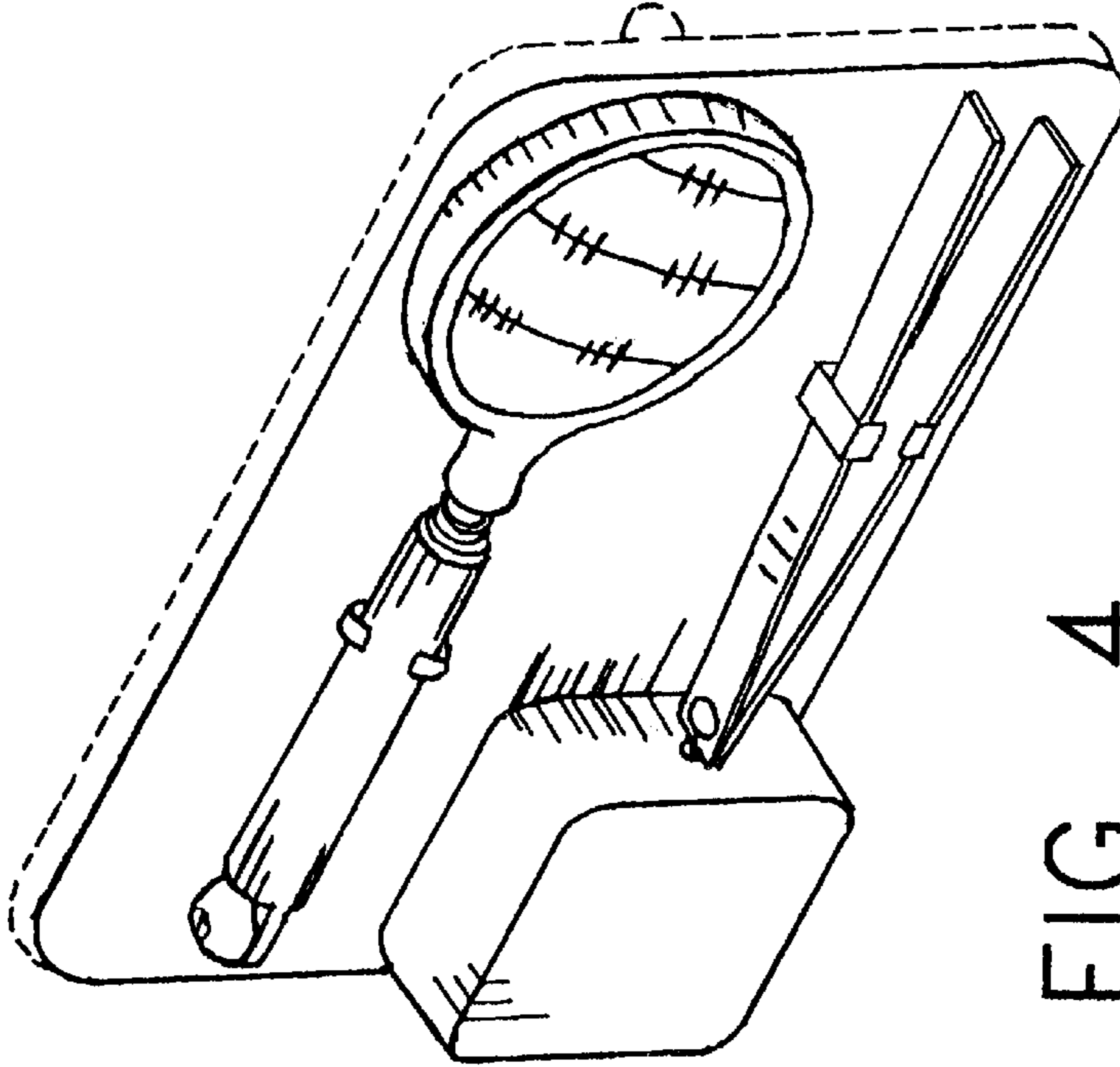


FIG. 3

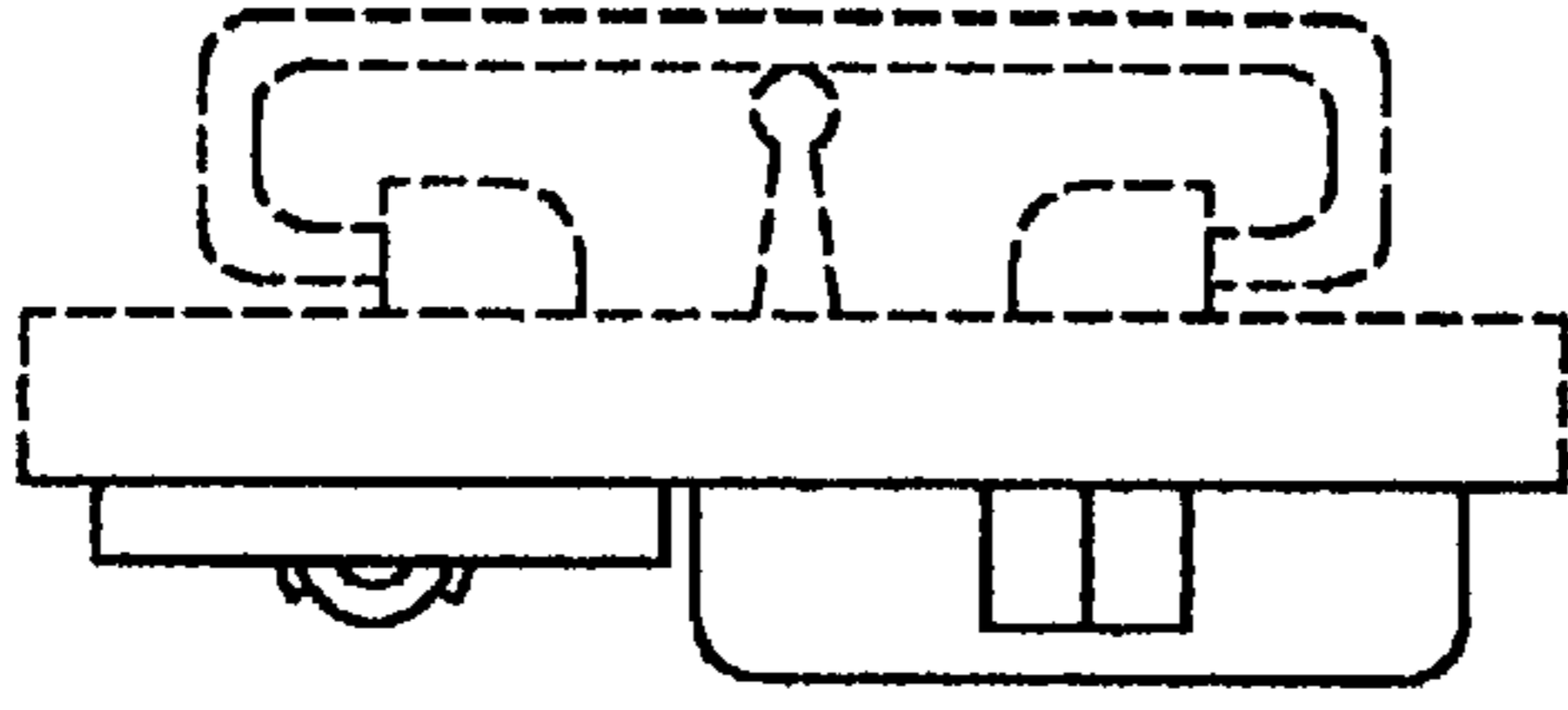
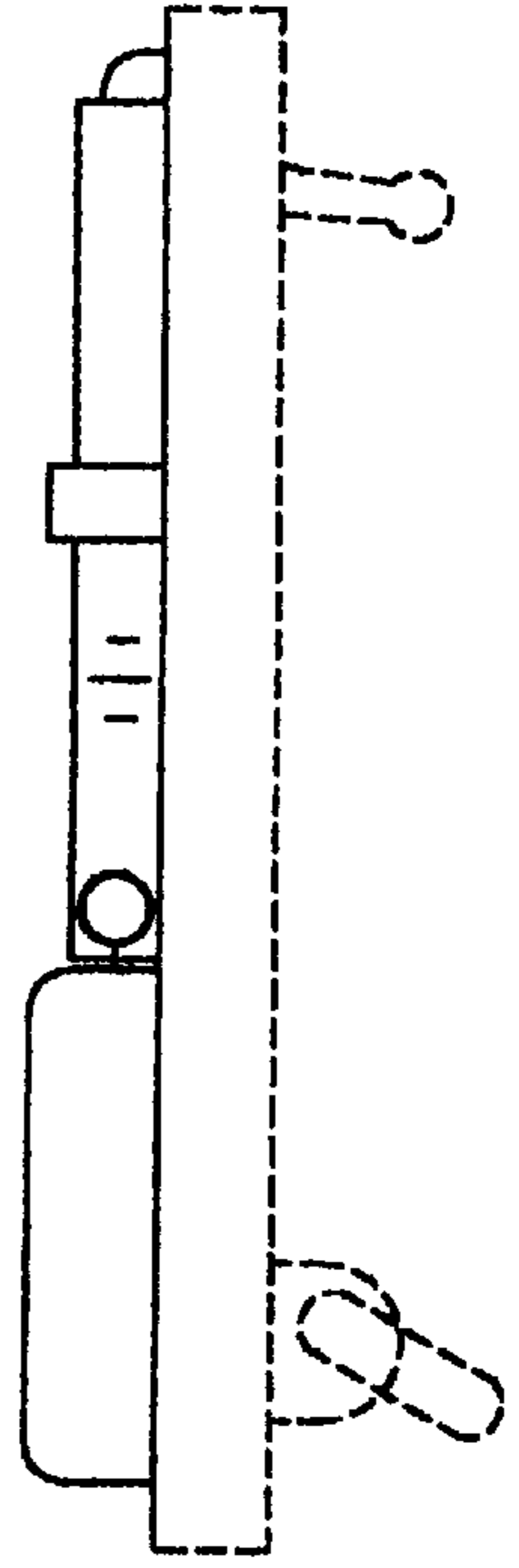


FIG. 4



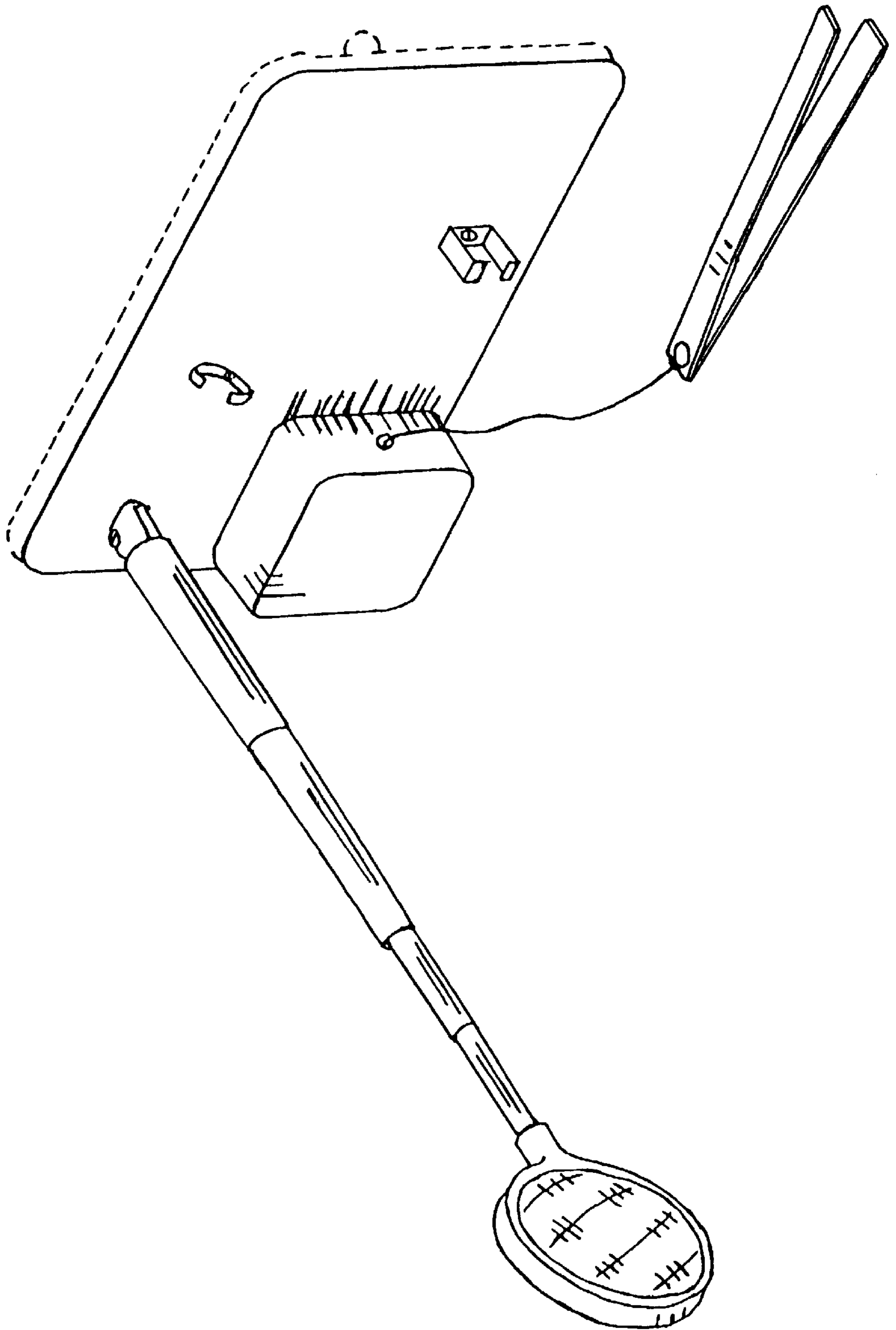


FIG. 5