



US00D420618S

**United States Patent** [19]  
**Minister**

[11] **Patent Number: Des. 420,618**

[45] **Date of Patent: \*\* Feb. 15, 2000**

[54] **ARTICLE OF JEWELLERY**

[76] Inventor: **John Minister**, 16 Ripley Avenue,  
Toronto, Canada, M6S 3P1

[\*\*] Term: **14 Years**

[21] Appl. No.: **29/086,827**

[22] Filed: **Apr. 21, 1998**

[51] **LOC (7) Cl.** ..... **11-01**

[52] **U.S. Cl.** ..... **D11/103; D11/56**

[58] **Field of Search** ..... D11/1, 2, 79, 81,  
D11/95, 99, 100, 101, 103, 56, 44, 48,  
53, 87, 40, 43, 49, 55, 102; 63/1.1, 2, 20

[56] **References Cited**

**U.S. PATENT DOCUMENTS**

D. 381,926 8/1997 Bernsen ..... D11/79

**FOREIGN PATENT DOCUMENTS**

35068 2/1972 Canada .  
36048 12/1972 Canada .  
56903 9/1986 Canada .

**OTHER PUBLICATIONS**

Swiss Watch & Jewelry Journal Jan.-Jun. 1979 p. 85.

*Primary Examiner*—Ralf Seifert

*Attorney, Agent, or Firm*—Rothwell, Figg, Ernst & Kurz,  
p.c.

[57] **CLAIM**

The ornamental design for an article of jewellery, as shown.

**DESCRIPTION**

FIG. 1 is a perspective view of a pendant showing my new design;

FIG. 2 is a front elevational view;

FIG. 3 is a right side elevational view;

FIG. 4 is a left side elevational view;

FIG. 5 is a top plan view of the side;

FIG. 6 is a bottom plan view;

FIG. 7 is a perspective view of a finger ring showing a second embodiment of my new design;

FIG. 8 is a front elevational view of FIG. 7;

FIG. 9 is a right side elevational view of FIG. 7;

FIG. 10 is a left side elevational view of FIG. 7;

FIG. 11 is a top plan view of FIG. 7;

FIG. 12 is a bottom plan view of FIG. 7;

FIG. 13 is a perspective view of an earring showing a third embodiment of my new design;

FIG. 14 is a front elevational view of FIG. 13;

FIG. 15 is a right side elevational view of FIG. 13;

FIG. 16 is a left side elevational view of FIG. 13;

FIG. 17 is a top plan view of FIG. 13; and,

FIG. 18 is a bottom plan view of FIG. 13.

The broken line showing of an attachment means in FIGS. 1 through 18 is for illustrative purposes only and forms no part of the claimed design.

**1 Claim, 3 Drawing Sheets**

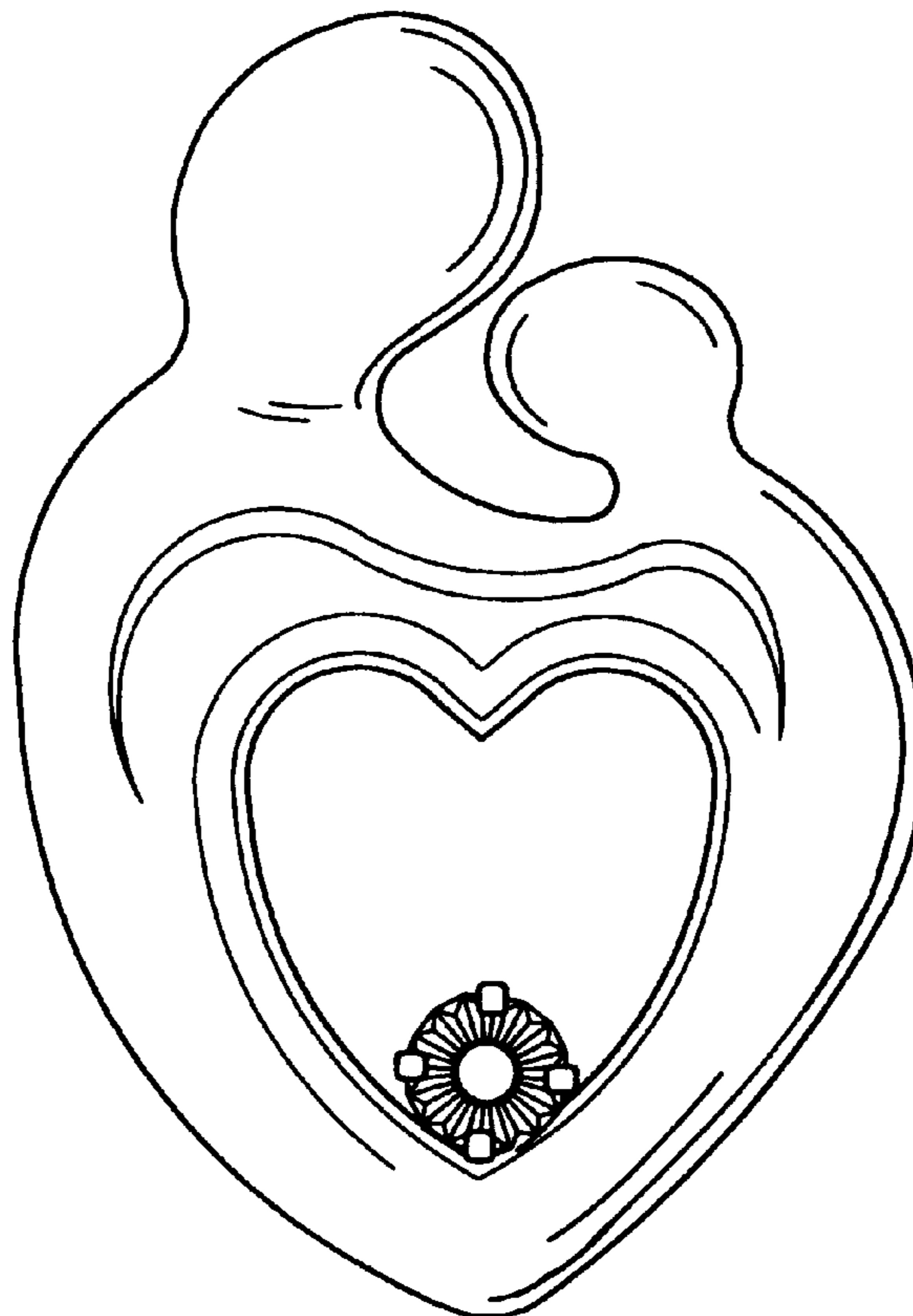


FIG. 1



FIG. 2

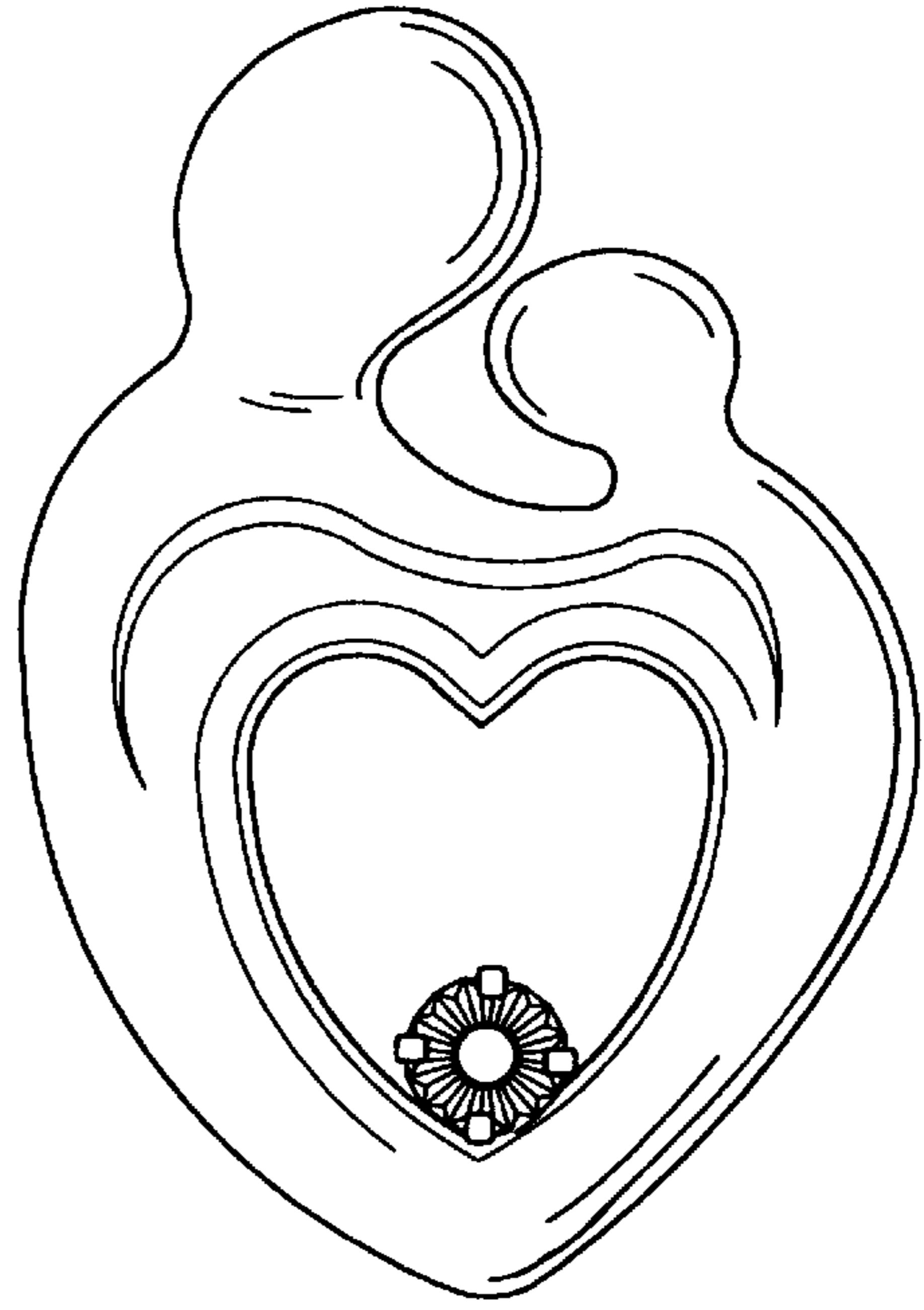


FIG. 3

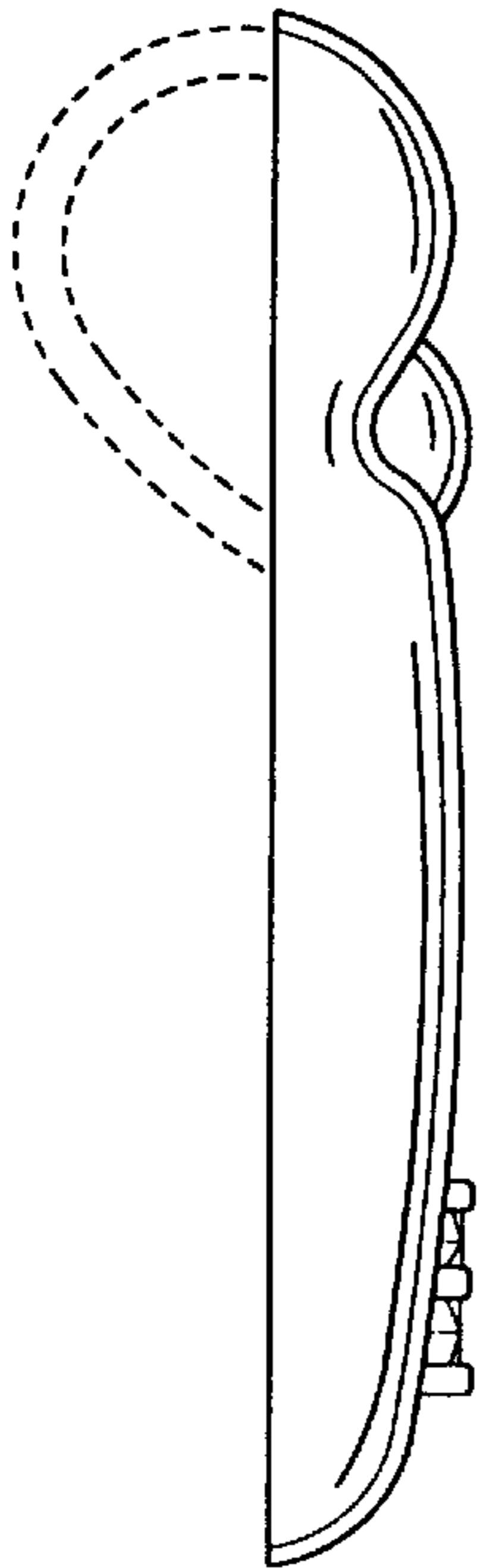


FIG. 4

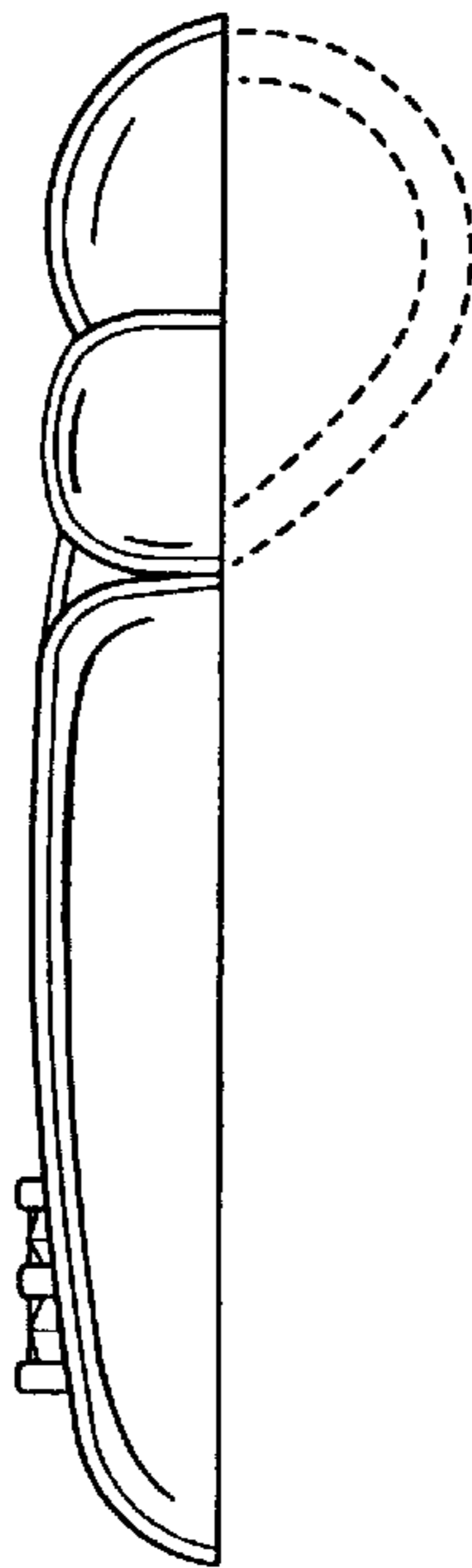


FIG. 5

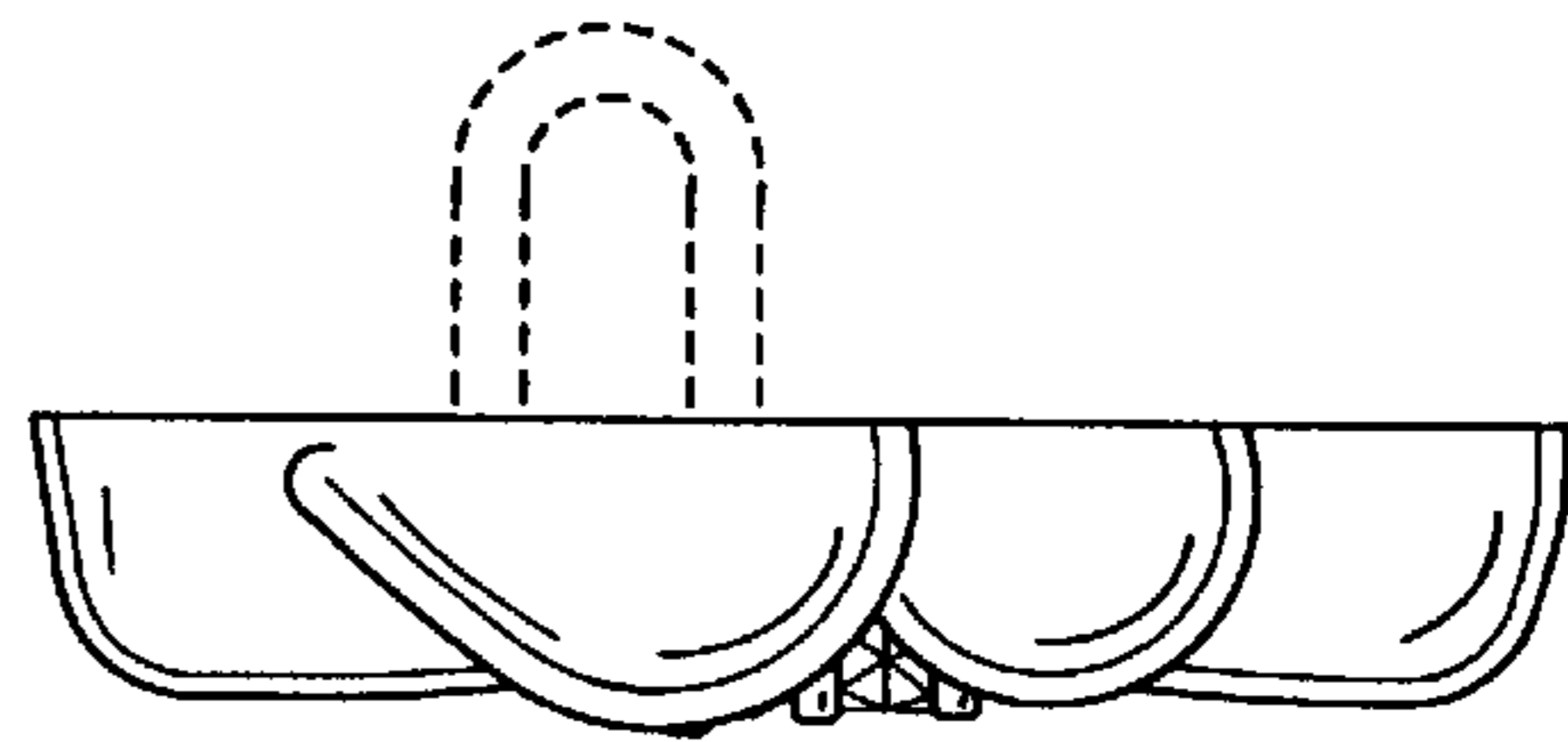


FIG. 6

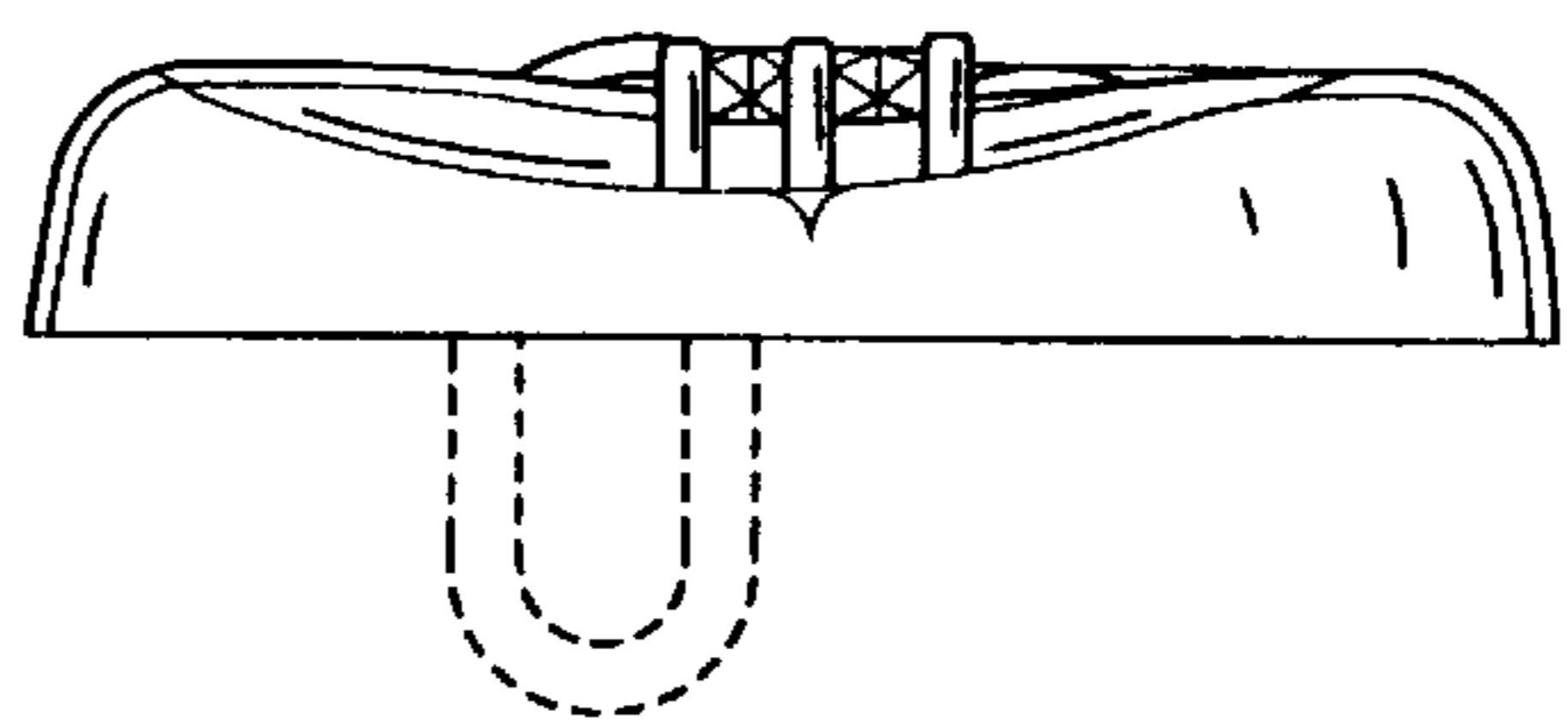


FIG. 7

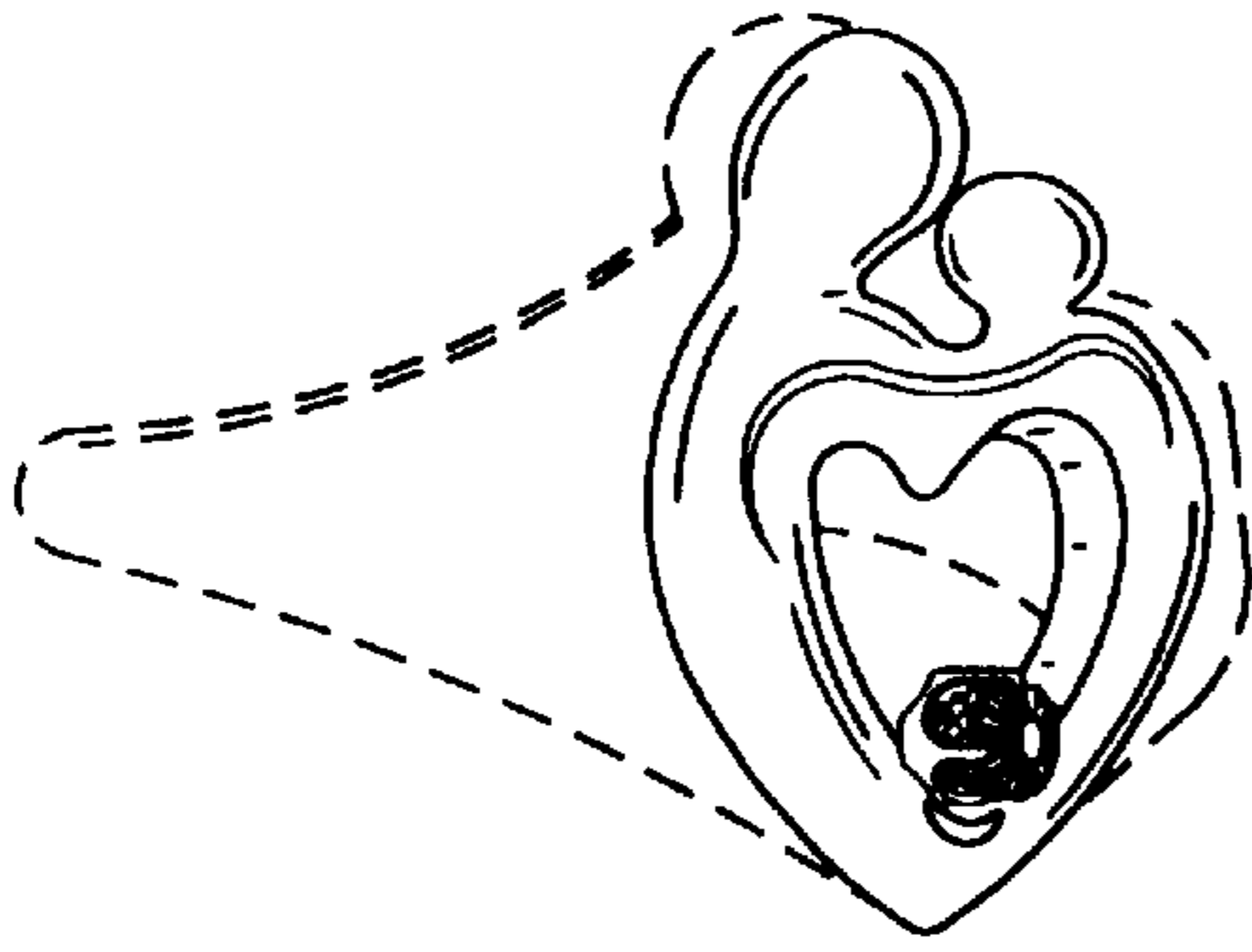


FIG. 8

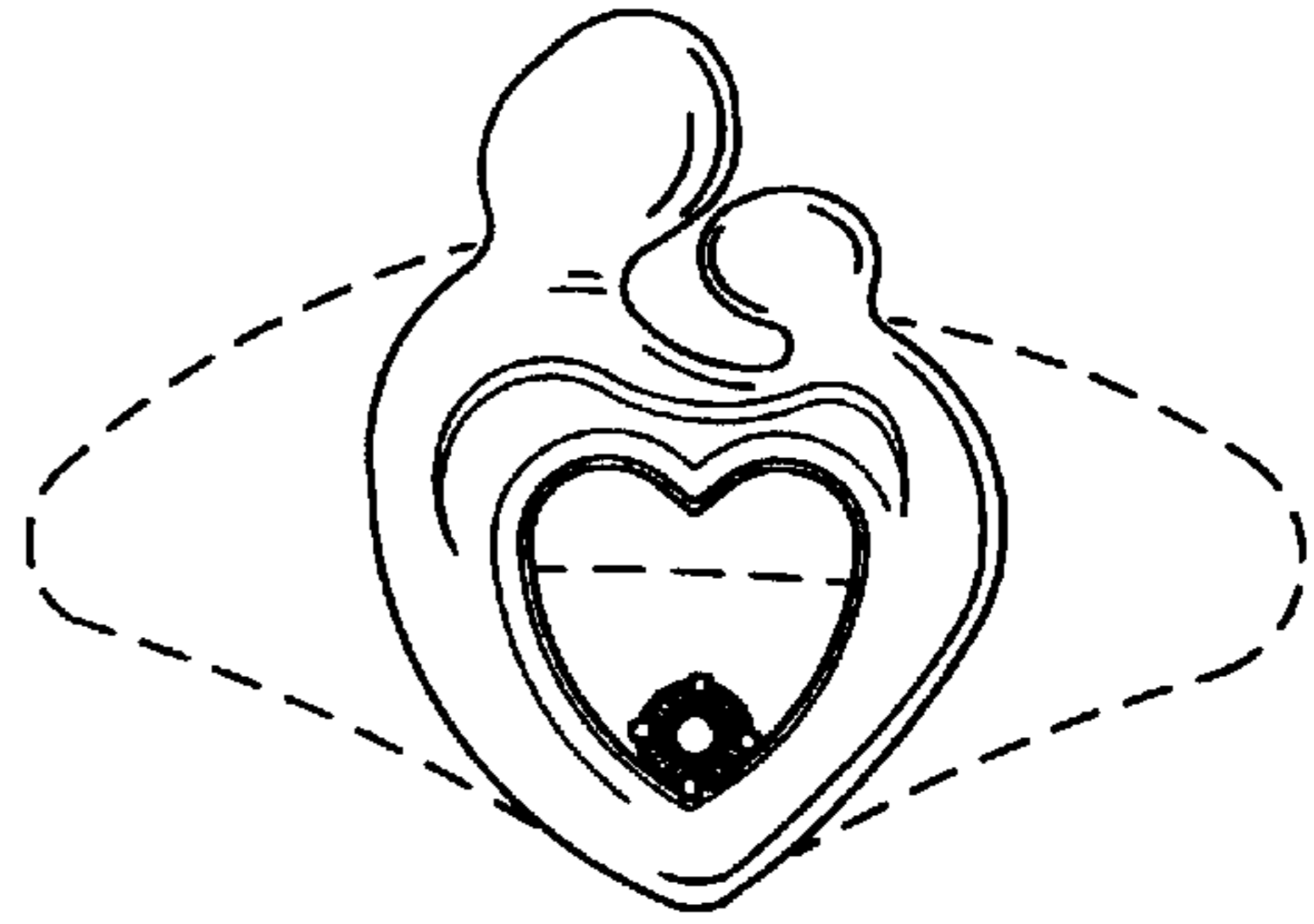


FIG. 10

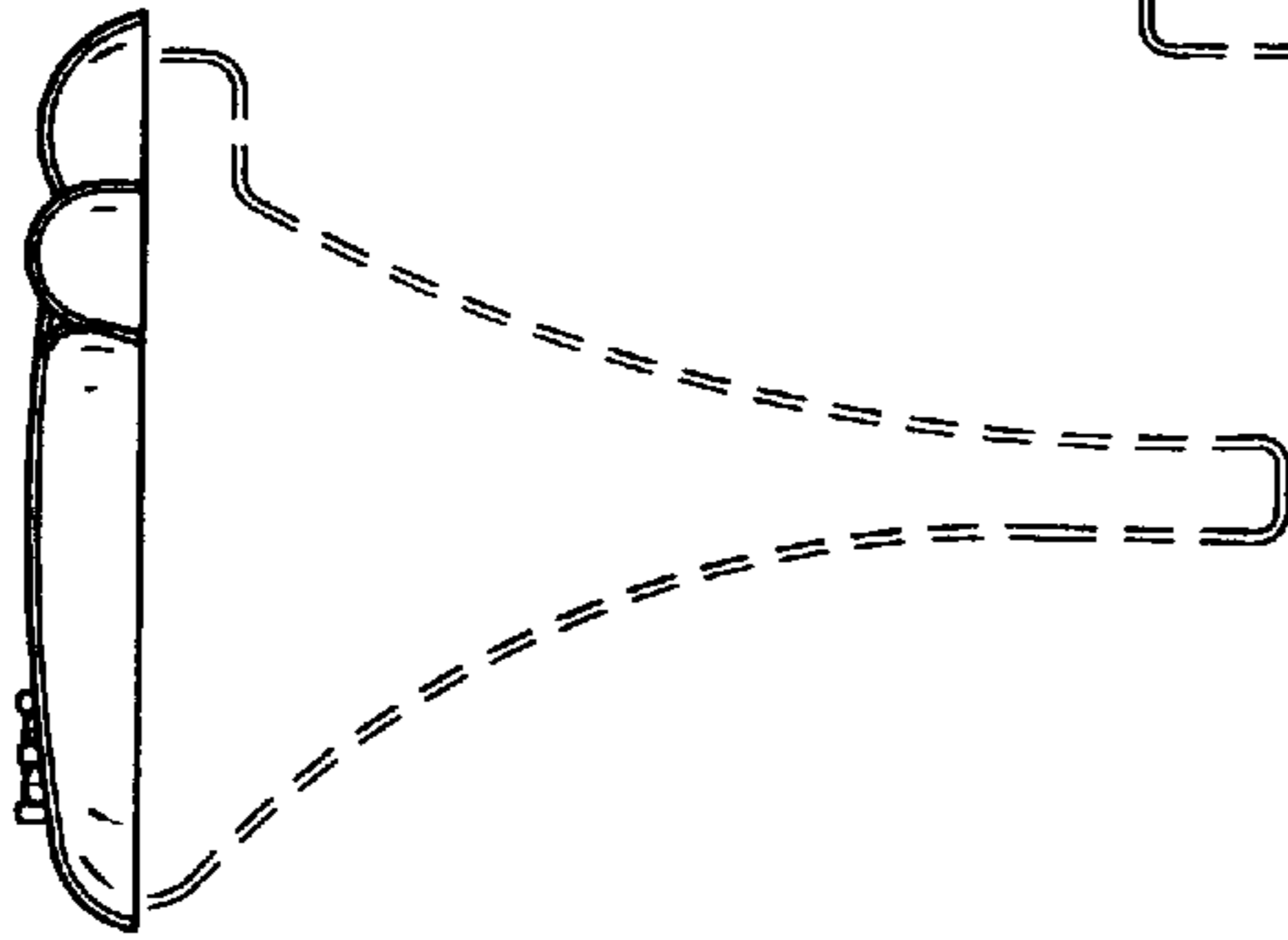


FIG. 9

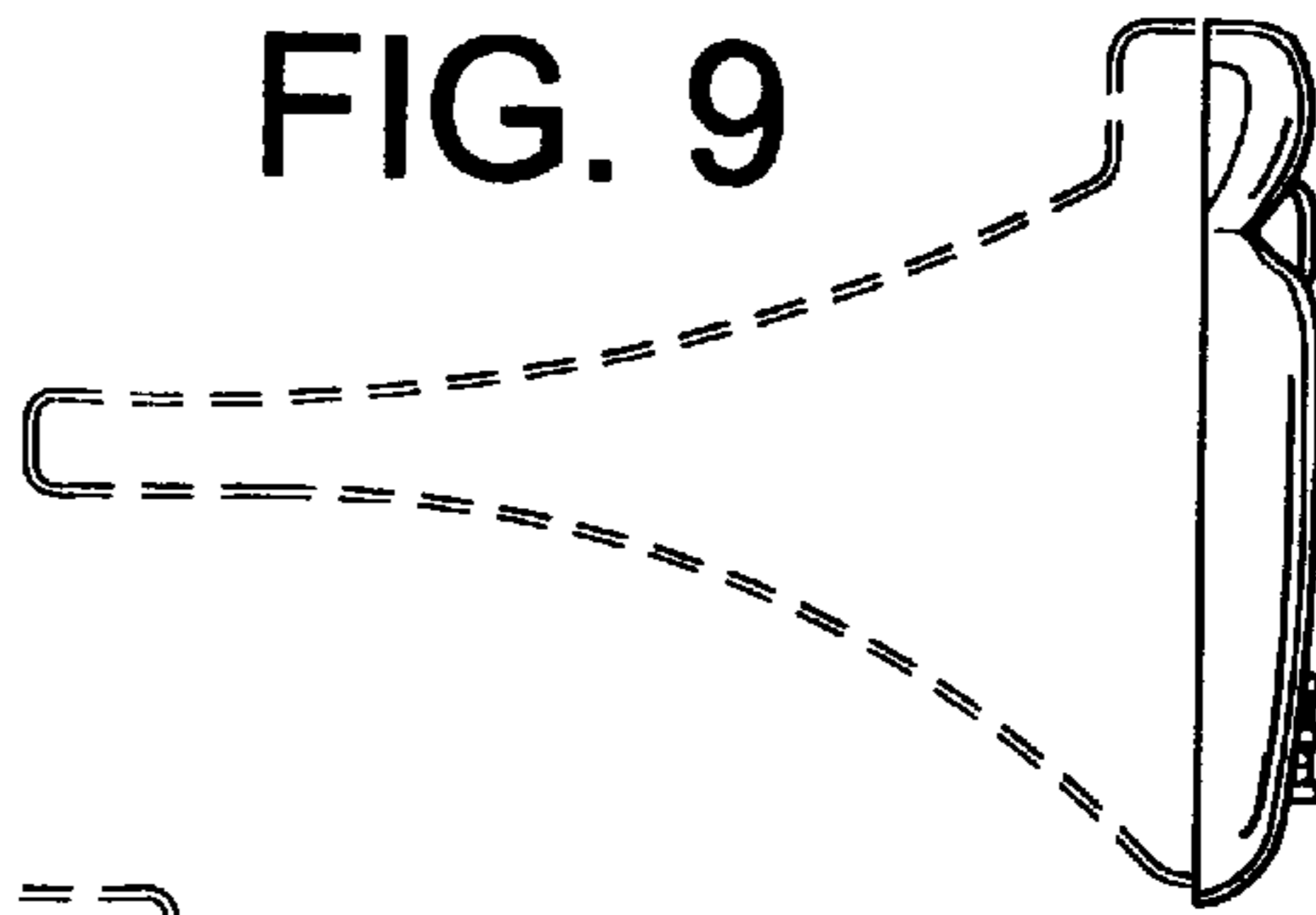


FIG. 11

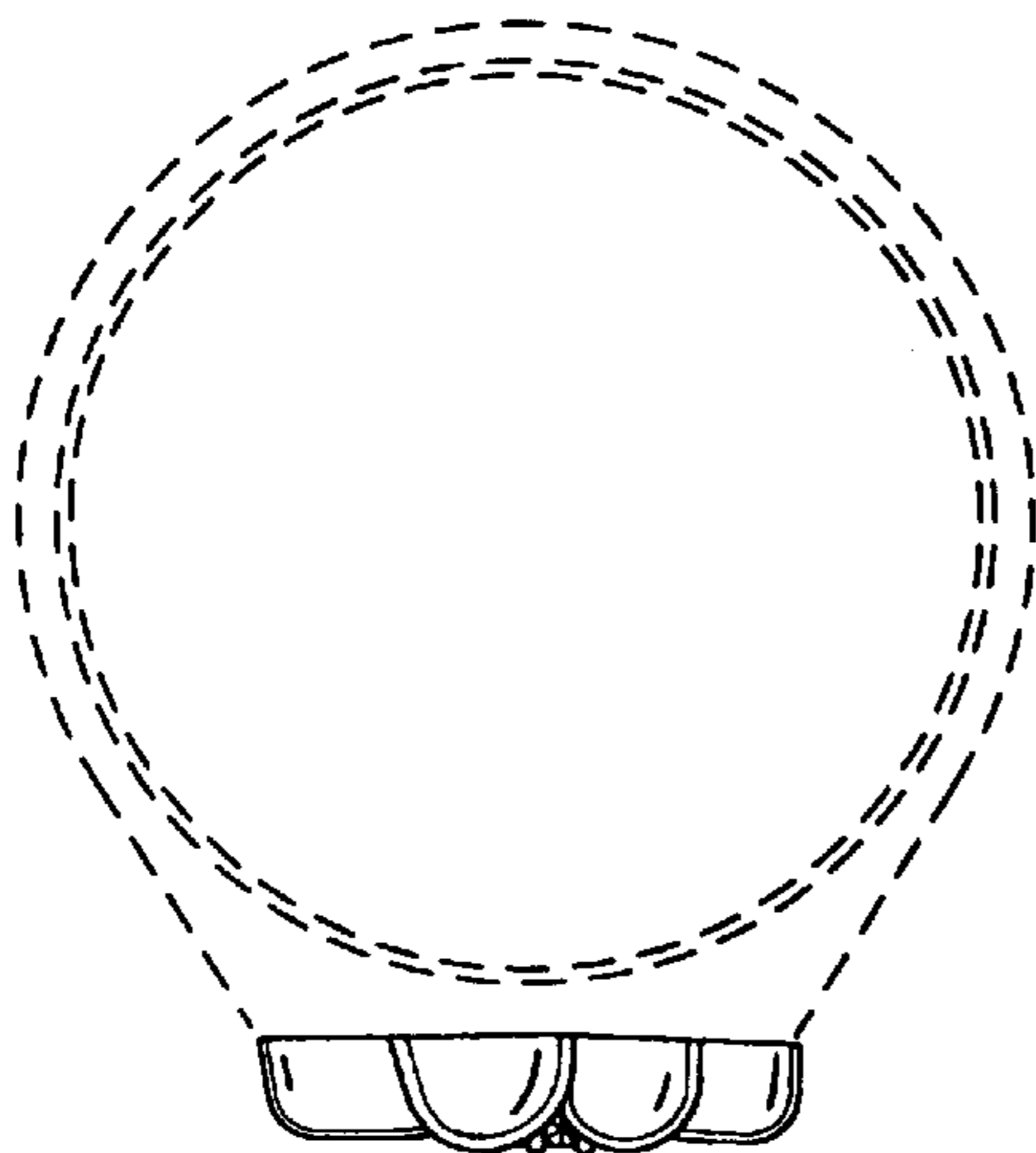


FIG. 12

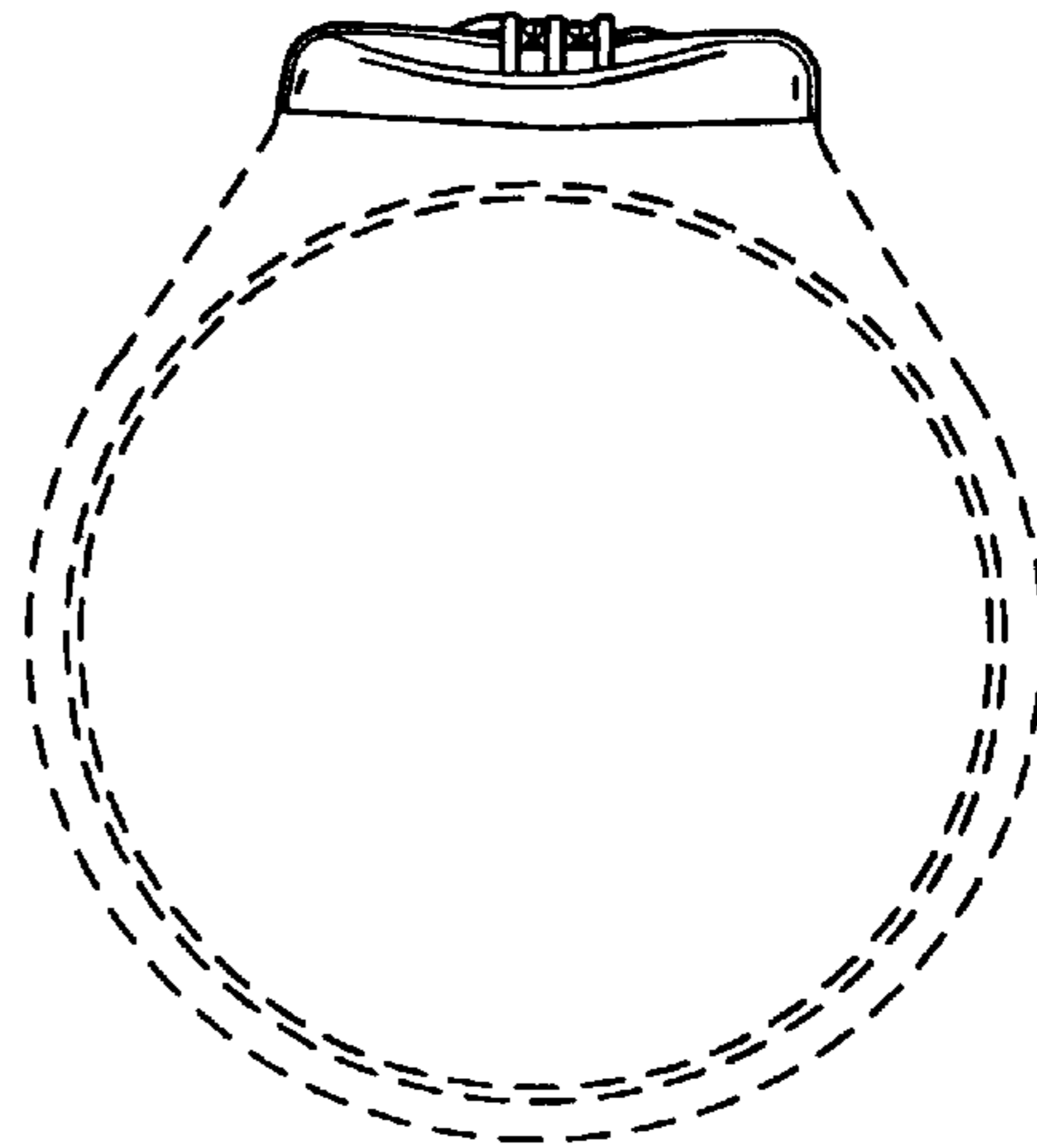


FIG. 13

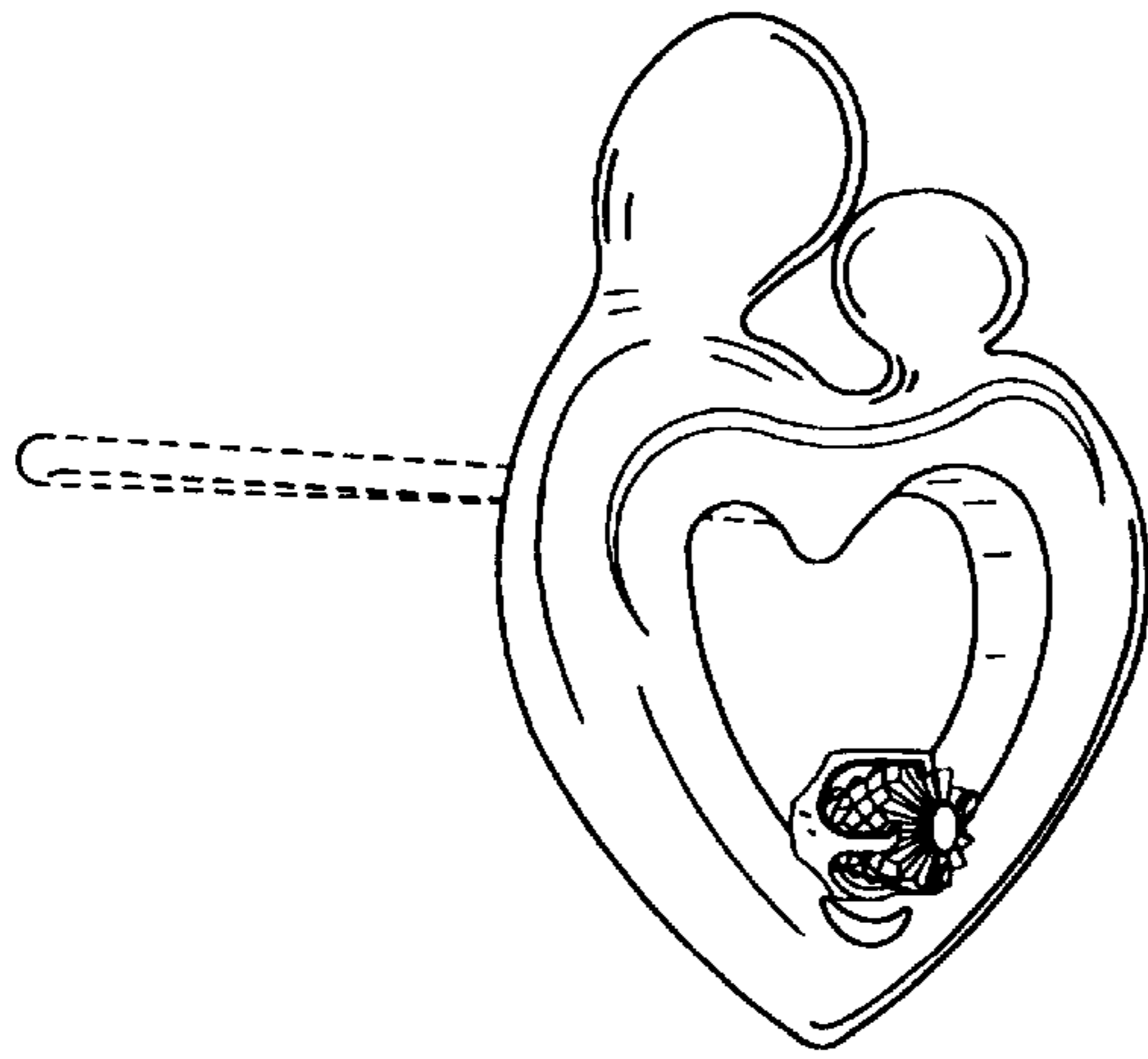


FIG. 14

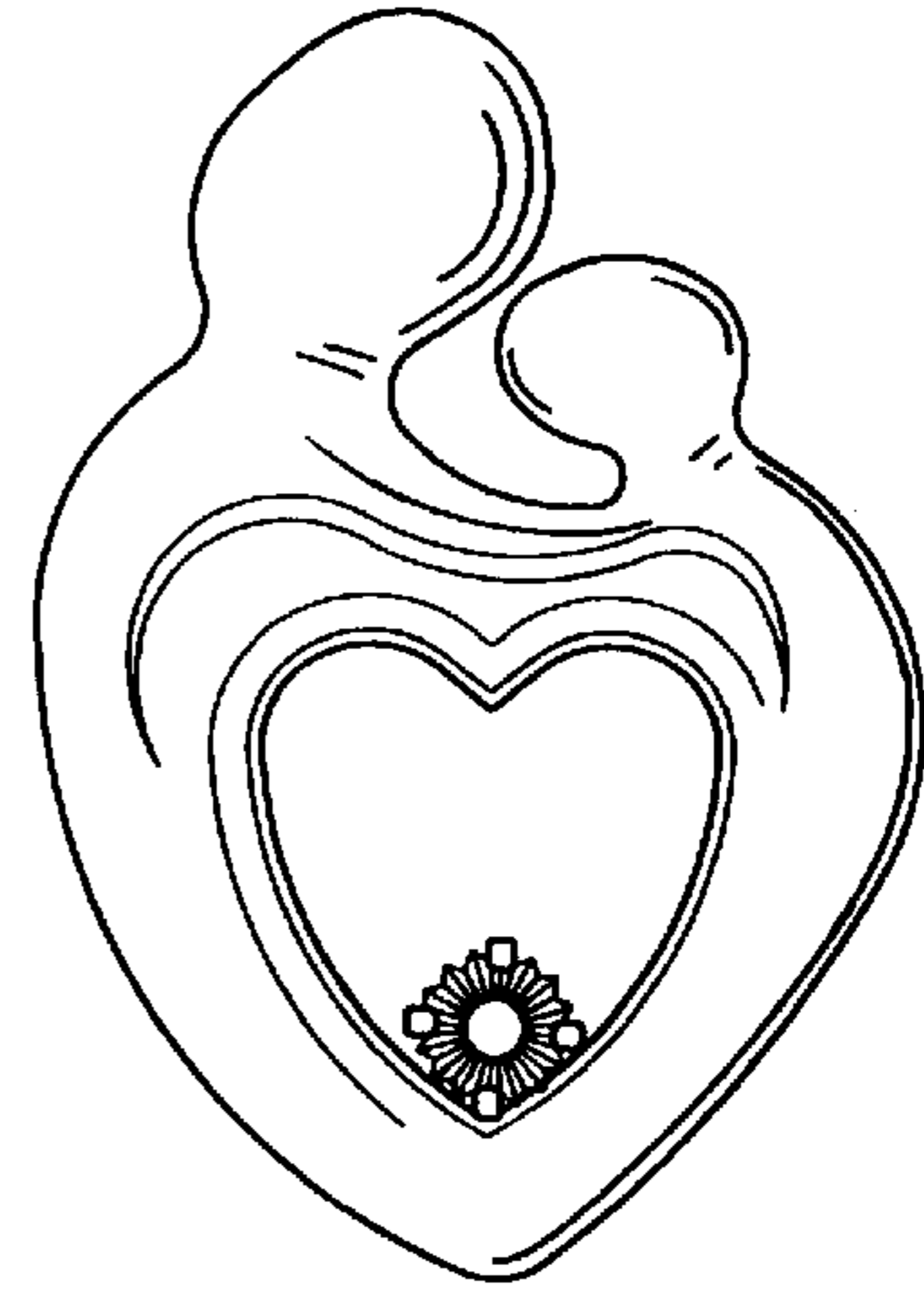


FIG. 15

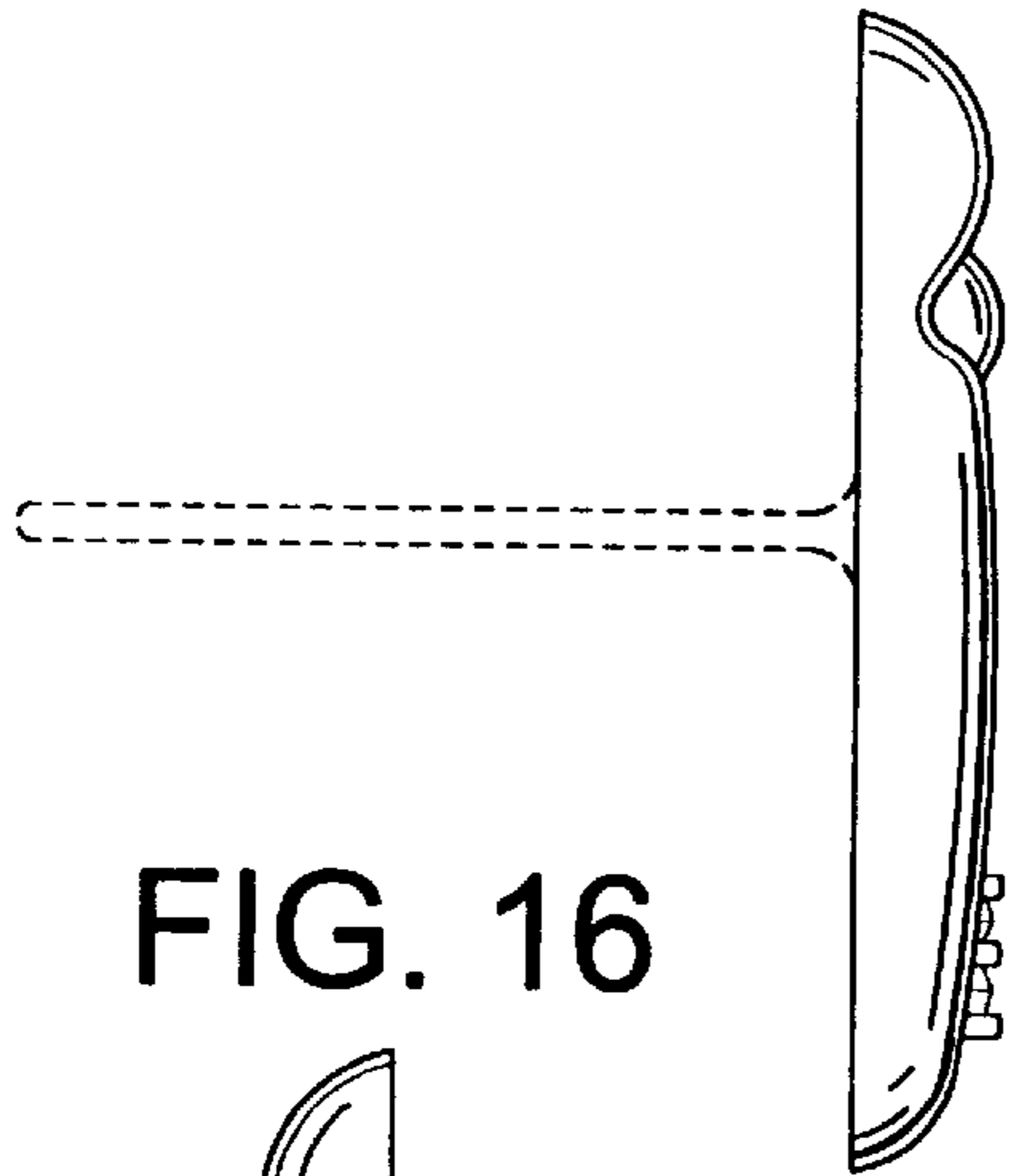


FIG. 17

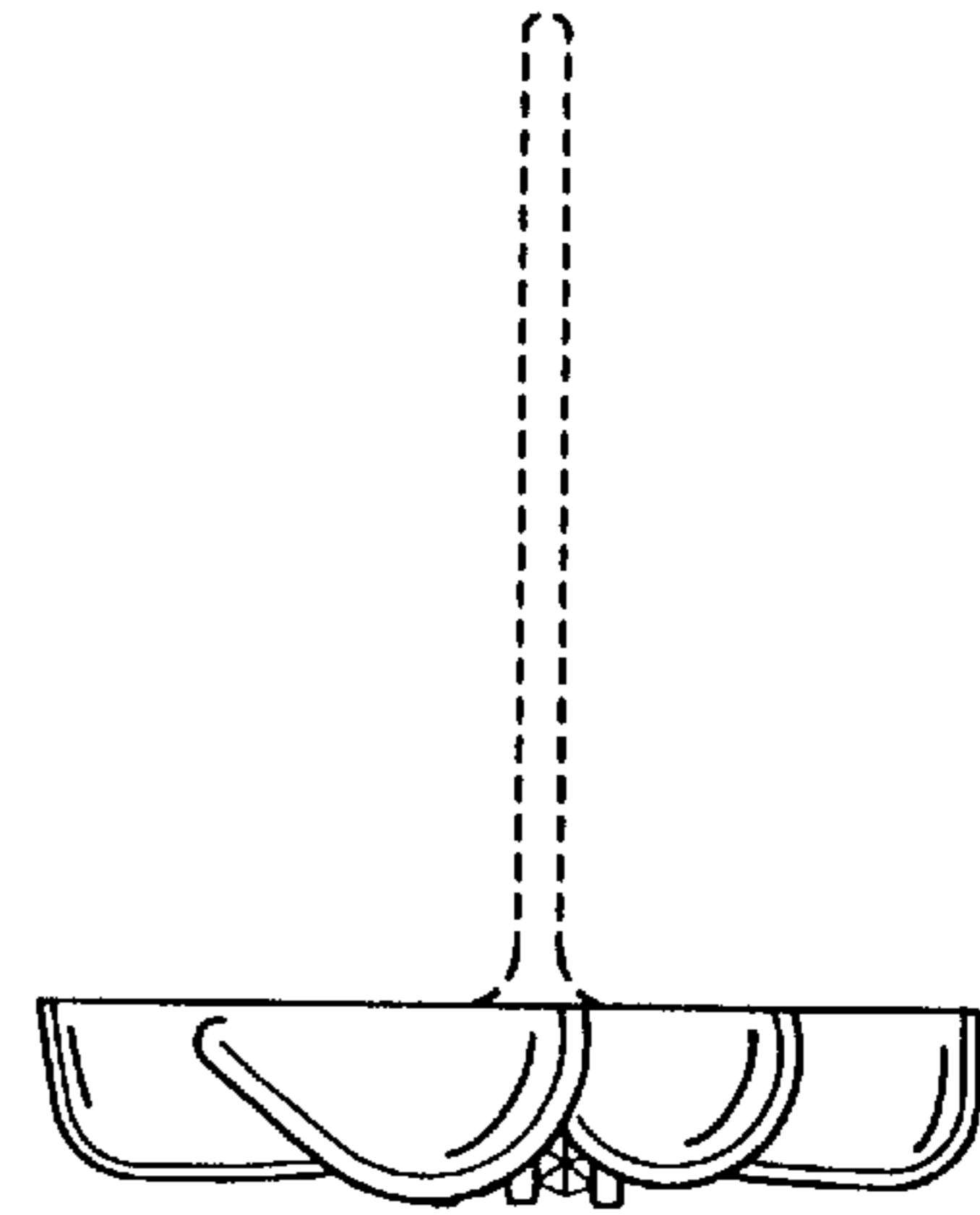


FIG. 16

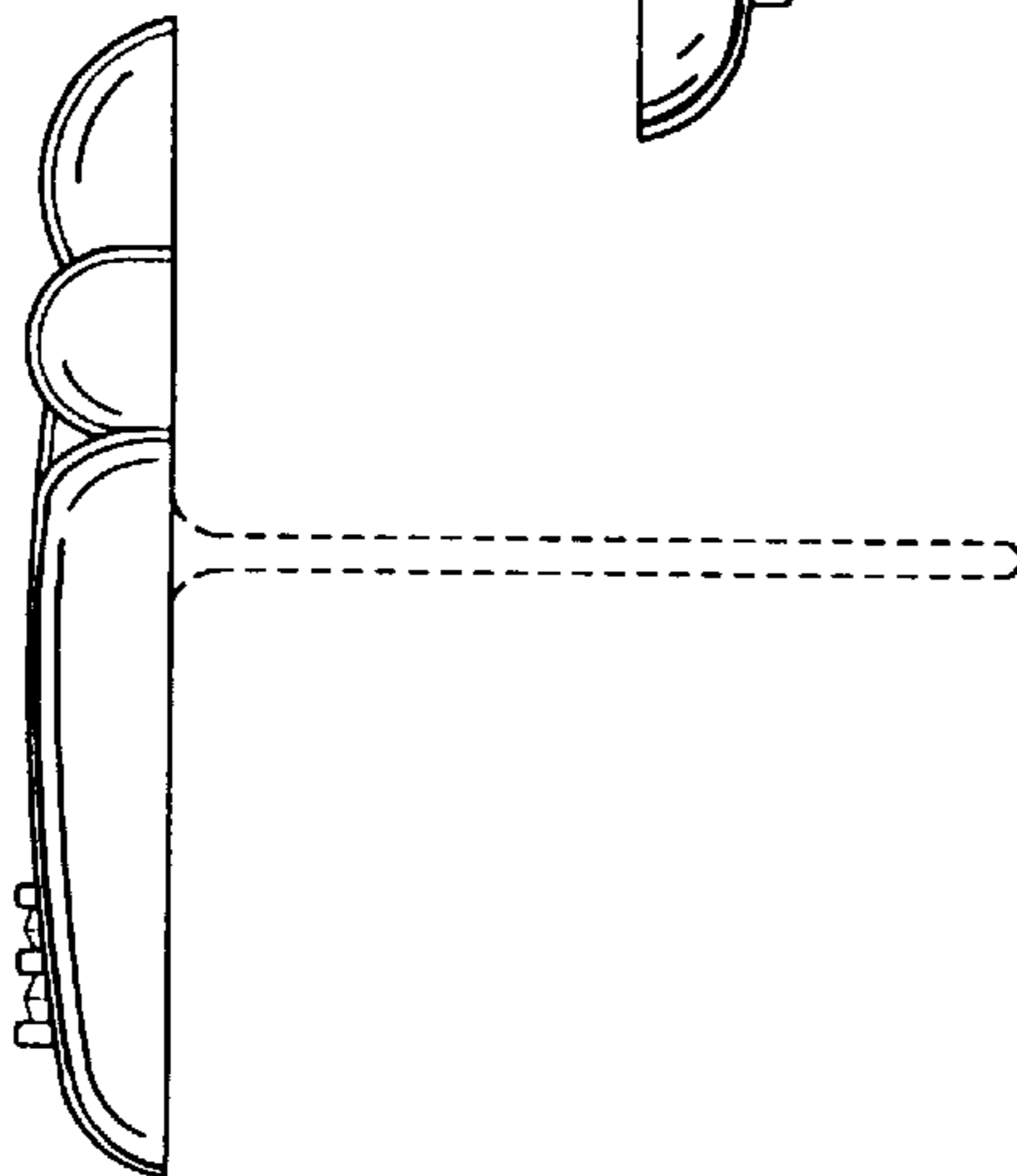


FIG. 18

